



US00D793181S

(12) **United States Design Patent**  
**Wong**

(10) **Patent No.:** **US D793,181 S**

(45) **Date of Patent:** **\*\* Aug. 1, 2017**

- (54) **FOLDABLE SPIRALIZER**
- (71) Applicant: **Abdoolally Ebrahim Housewares Limited, Hong Kong (HK)**
- (72) Inventor: **Wai Hang Wong, Hong Kong (HK)**
- (73) Assignee: **Abdoolally Ebrahim Housewares Limited, Kowloon (HK)**
- (\*\*) Term: **15 Years**
- (21) Appl. No.: **29/561,215**
- (22) Filed: **Apr. 14, 2016**
- (51) **LOC (10) Cl.** ..... **07-04**
- (52) **U.S. Cl.**  
USPC ..... **D7/693**
- (58) **Field of Classification Search**  
USPC ..... D7/693-696, 368, 669, 381-384  
CPC . A47J 17/00; A47J 17/02; A47J 17/16; A23N 7/02; A23N 7/026; A21C 15/04  
See application file for complete search history.

- 6,854,383 B2 \* 2/2005 Wang ..... A47J 17/16 99/542
- 7,077,058 B2 \* 7/2006 Muro ..... A47J 17/16 99/541
- D689,348 S \* 9/2013 Wong ..... D7/693

\* cited by examiner

*Primary Examiner* — Terry Wallace  
(74) *Attorney, Agent, or Firm* — Schacht Law Office, Inc.; Dwayne Rogge

(57) **CLAIM**

The ornamental design for a foldable spiralizer, as shown and described.

**DESCRIPTION**

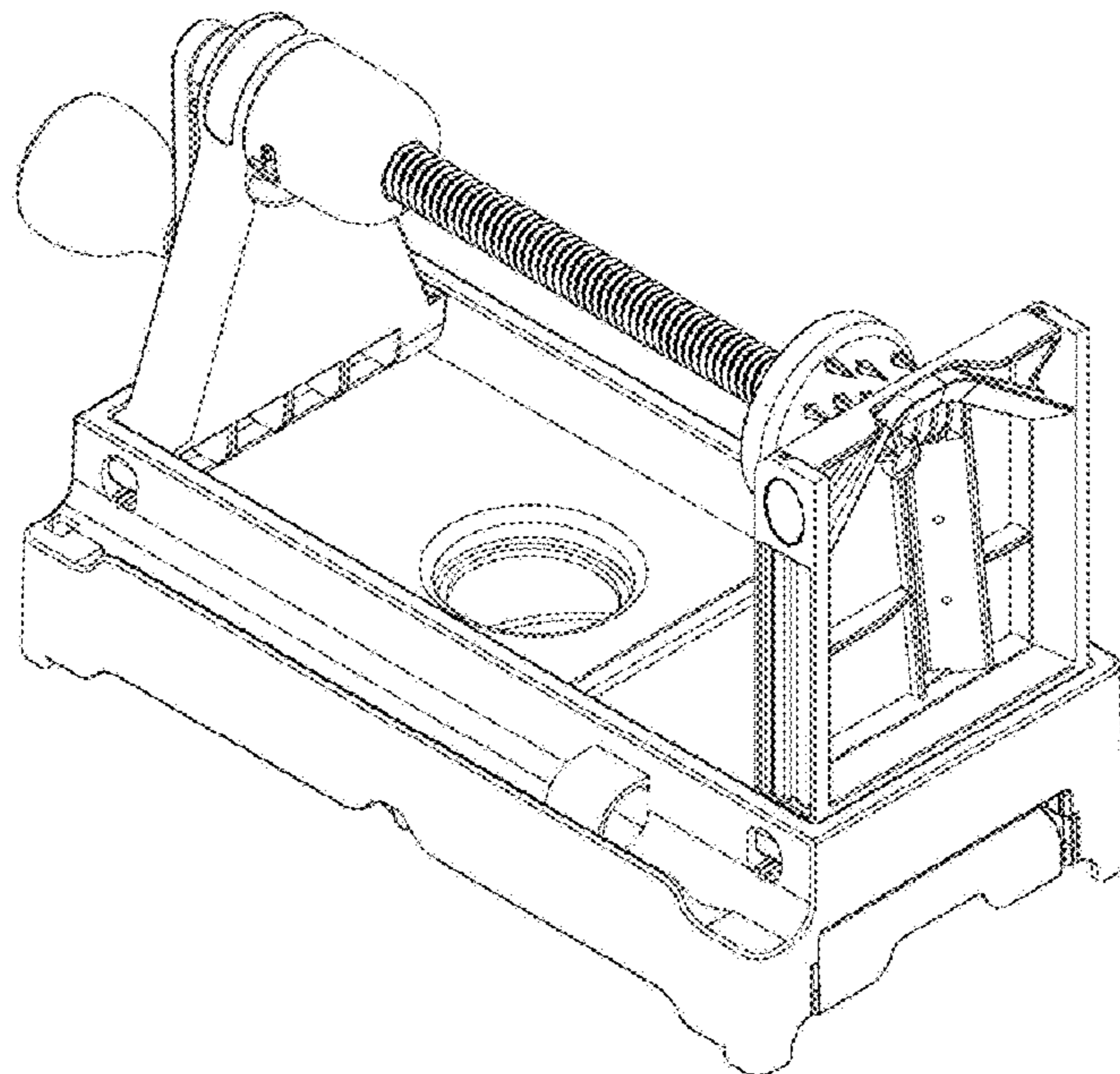
FIG. 1 is a top view of the foldable spiralizer in a storage configuration embodying the new design.  
 FIG. 2 is a left side view thereof.  
 FIG. 3 is a front thereof.  
 FIG. 4 is a right side view thereof.  
 FIG. 5 is a bottom view thereof.  
 FIG. 6 is a top isometric view thereof.  
 FIG. 7 is a top isometric view thereof from a different angle.  
 FIG. 8 is a rear view thereof.  
 FIG. 9 is a top view thereof in an operational configuration.  
 FIG. 10 is a left side view thereof.  
 FIG. 11 is a front thereof.  
 FIG. 12 is a right side view thereof.  
 FIG. 13 is a bottom view thereof.  
 FIG. 14 is a top isometric view thereof.  
 FIG. 15 is a top isometric view thereof from a different angle; and,  
 FIG. 16 is a rear view thereof.

(56) **References Cited**

**U.S. PATENT DOCUMENTS**

- 5,105,735 A \* 4/1992 Gonzalvo ..... A47J 17/16 99/590
- 5,557,998 A \* 9/1996 Schwartz ..... A21C 15/04 269/13
- 5,690,022 A \* 11/1997 Chai ..... A47J 17/16 99/541
- 5,950,528 A \* 9/1999 Wang ..... A23N 7/026 99/542
- D465,137 S \* 11/2002 Wong ..... D7/693
- 6,516,713 B1 \* 2/2003 Holmander ..... A47J 17/16 99/541

**1 Claim, 4 Drawing Sheets**



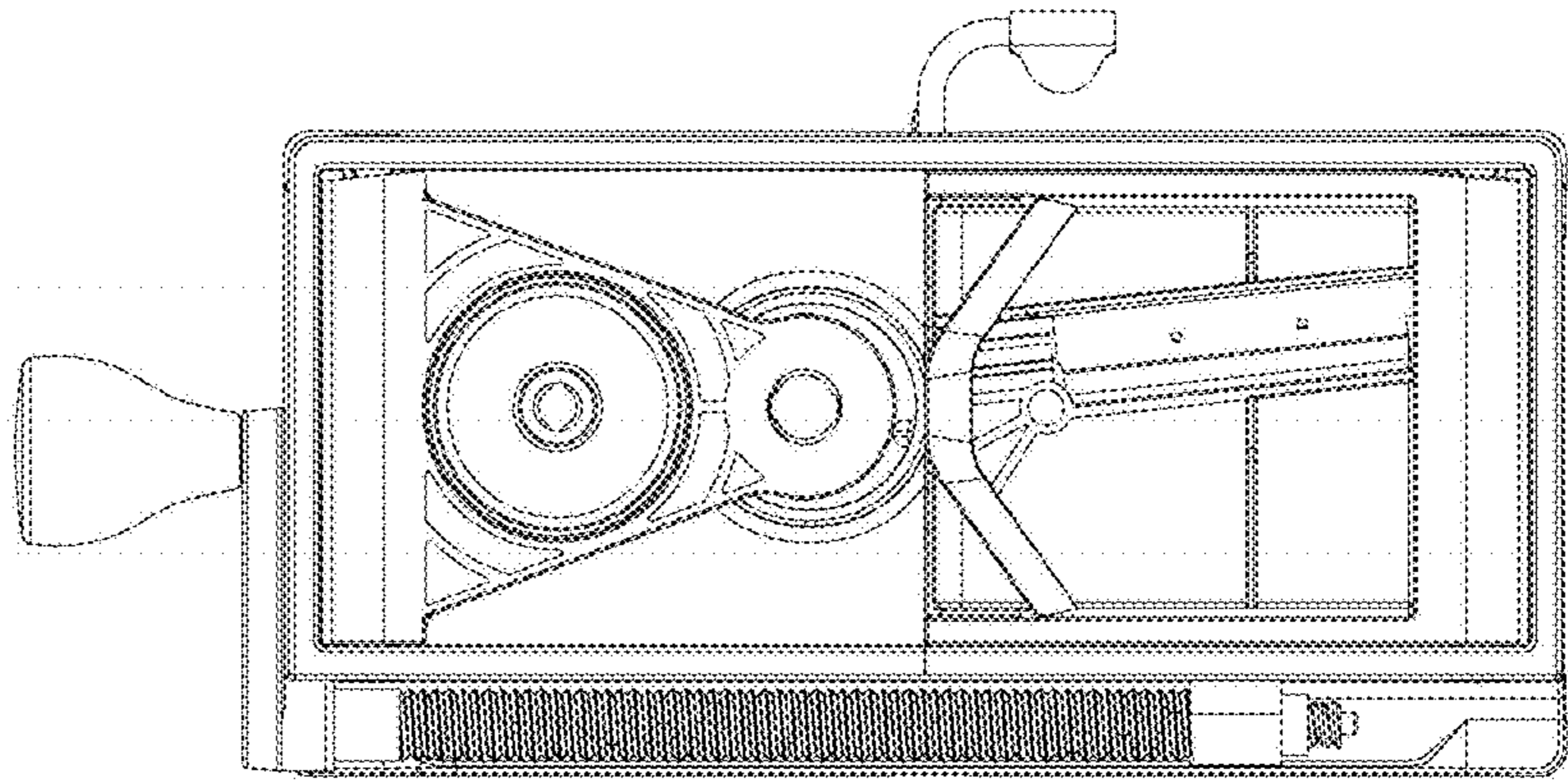


Fig. 1

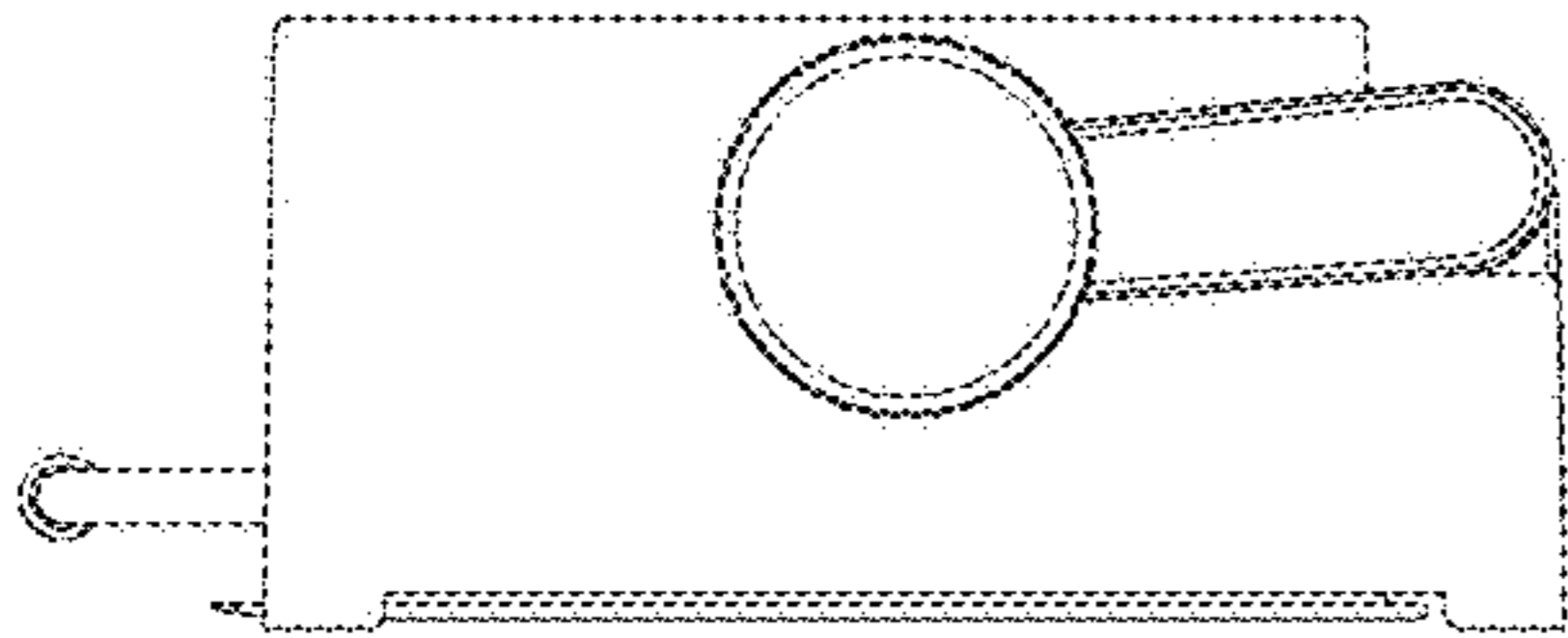


Fig 2

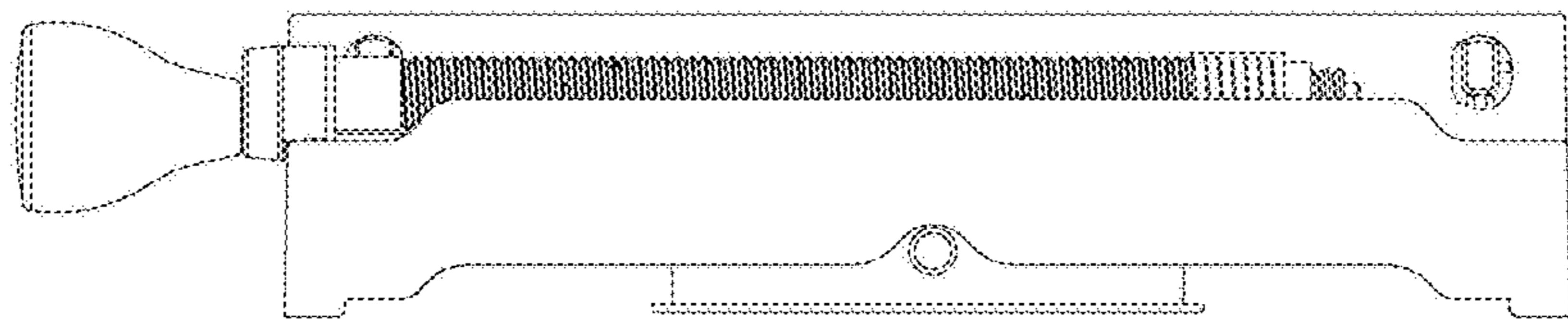


Fig. 3

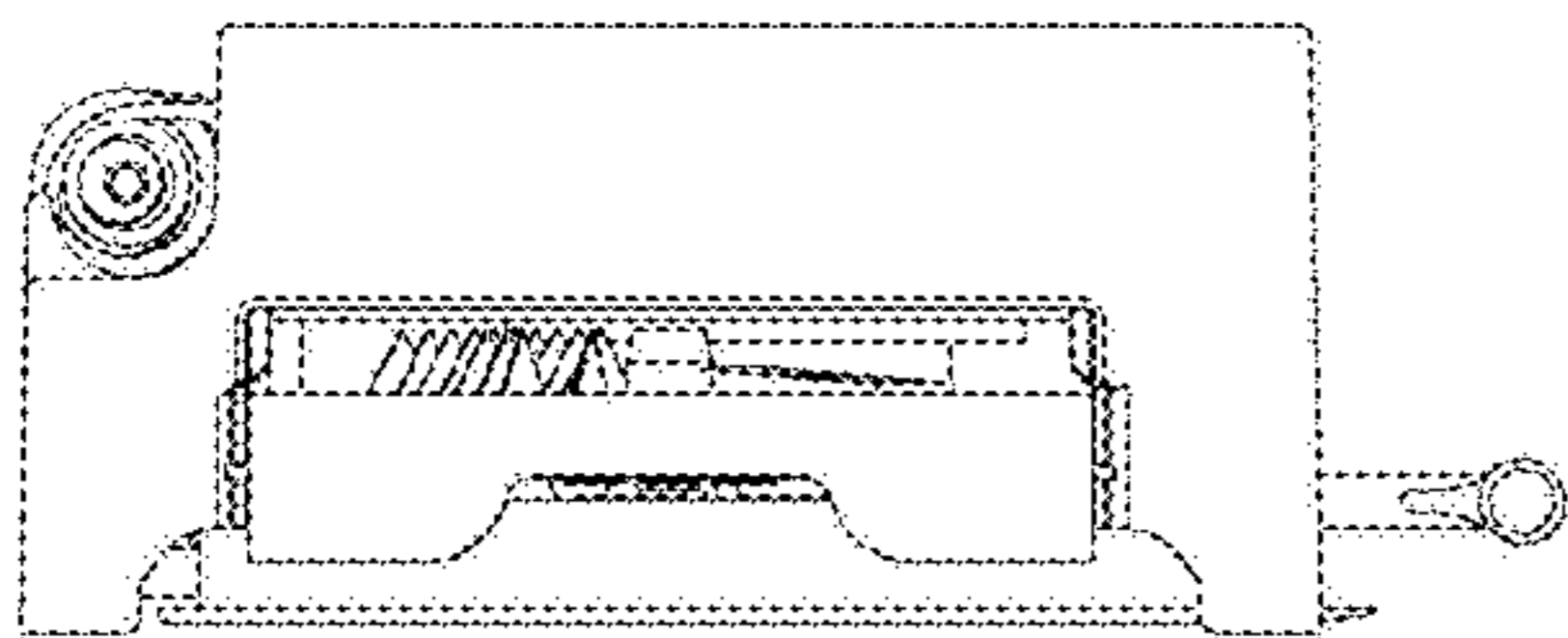


Fig. 4

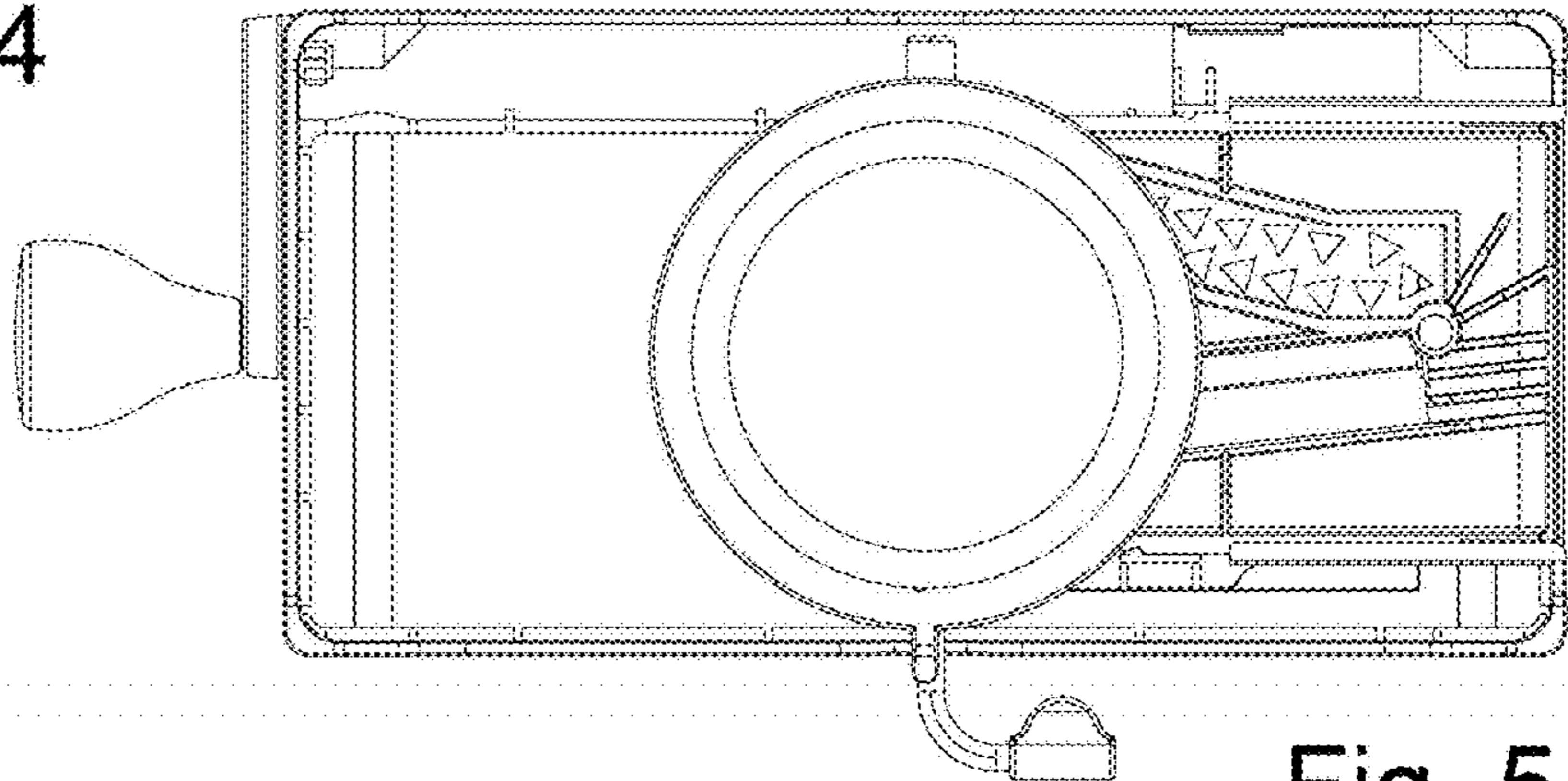


Fig. 5

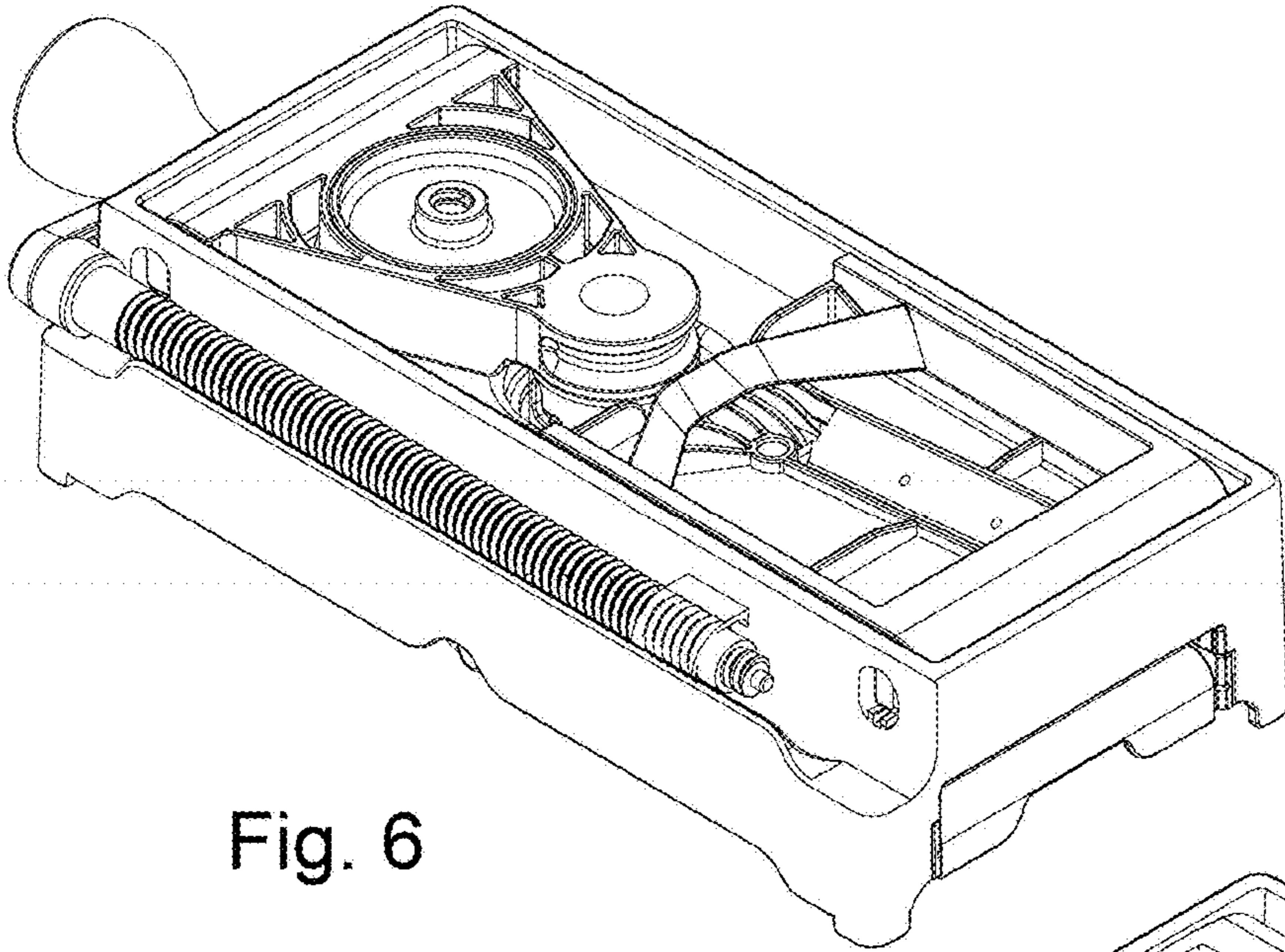


Fig. 6

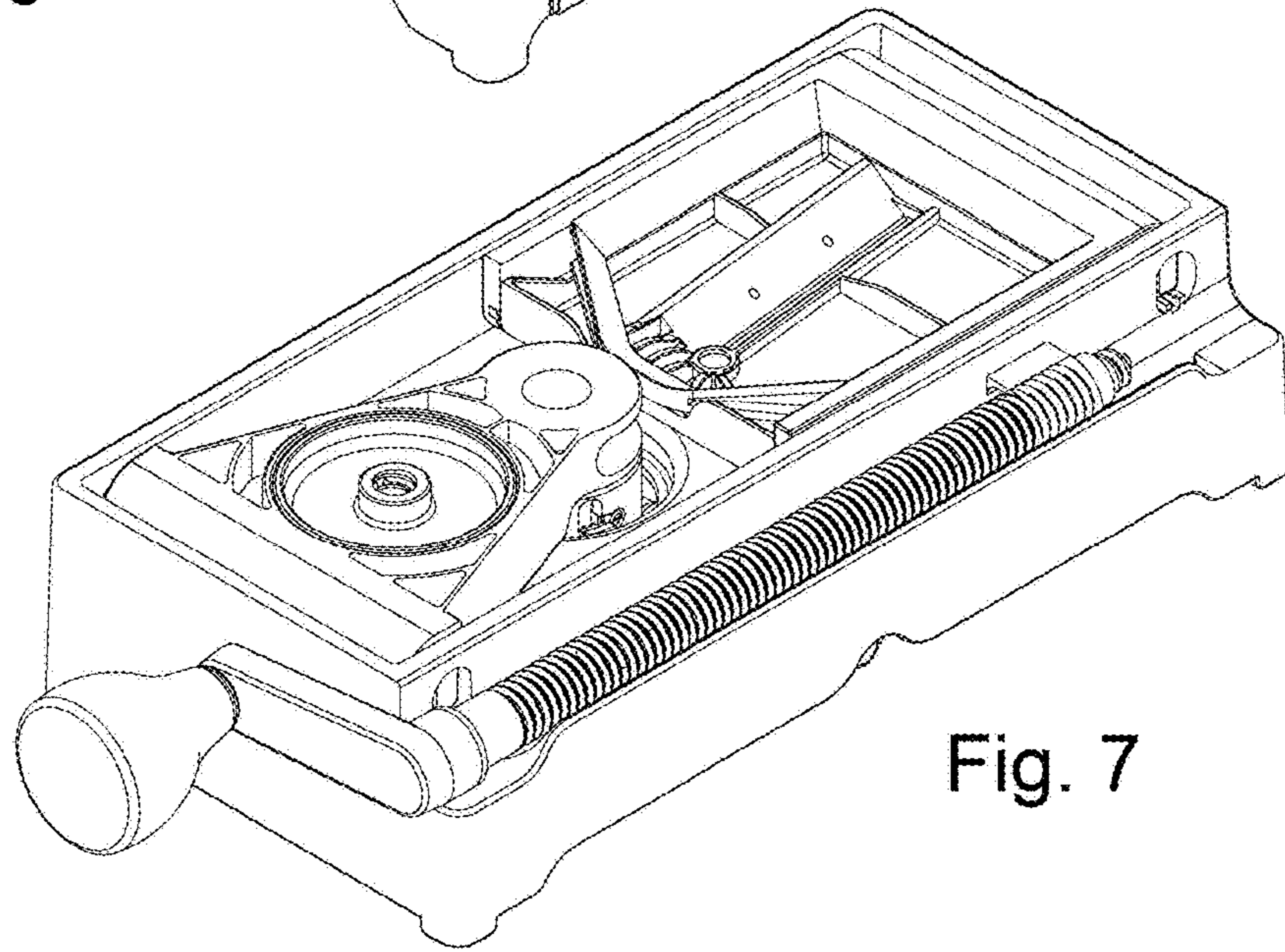


Fig. 7

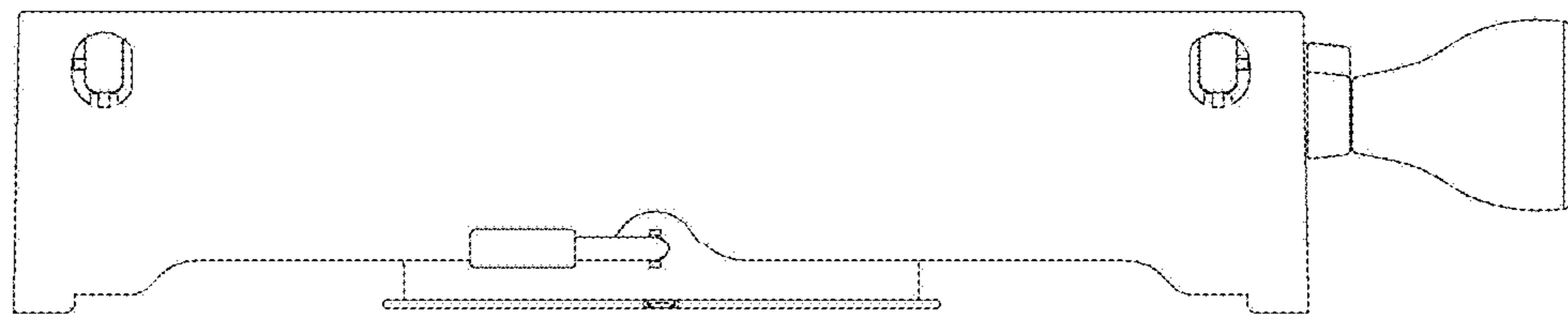


Fig. 8

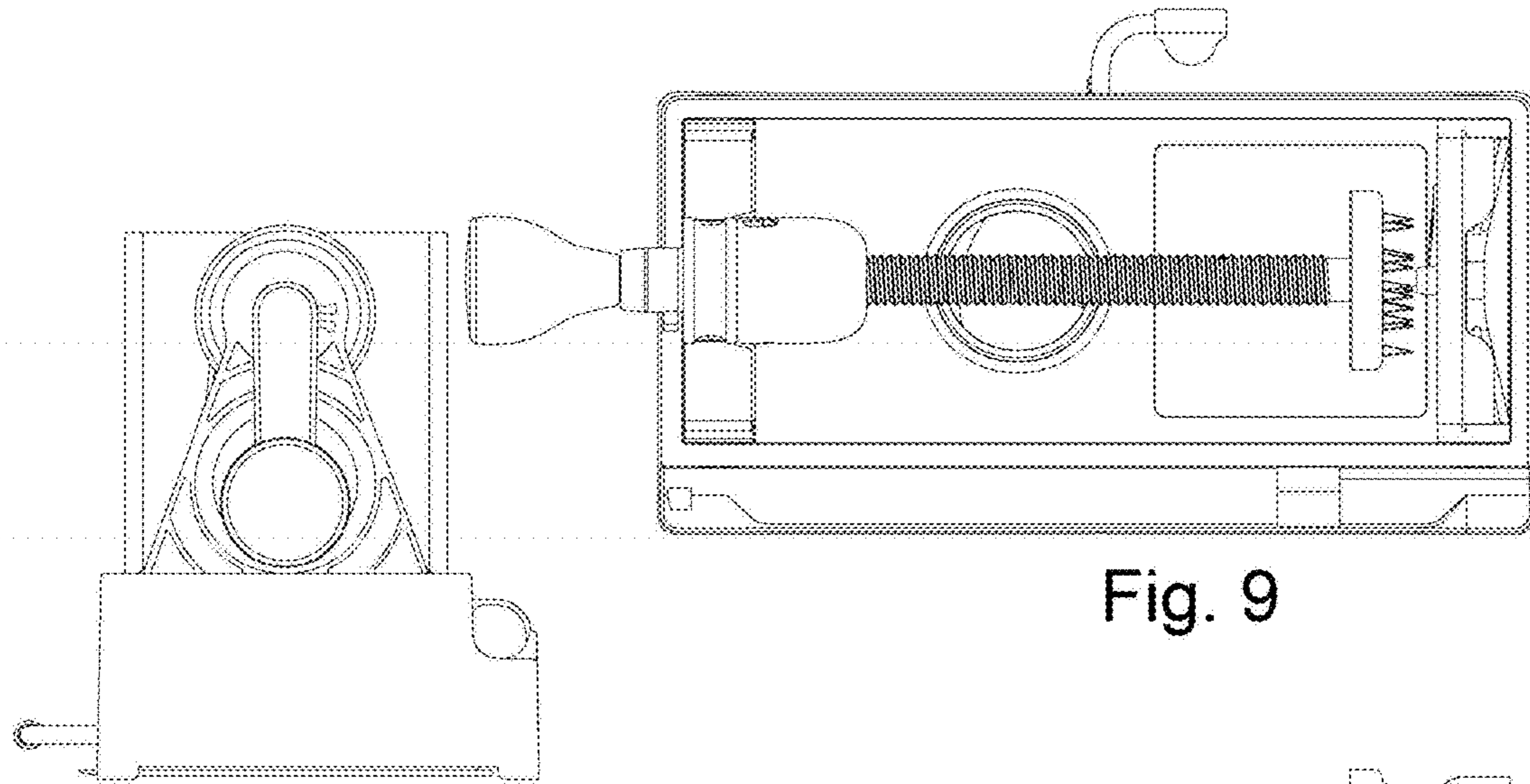


Fig. 9

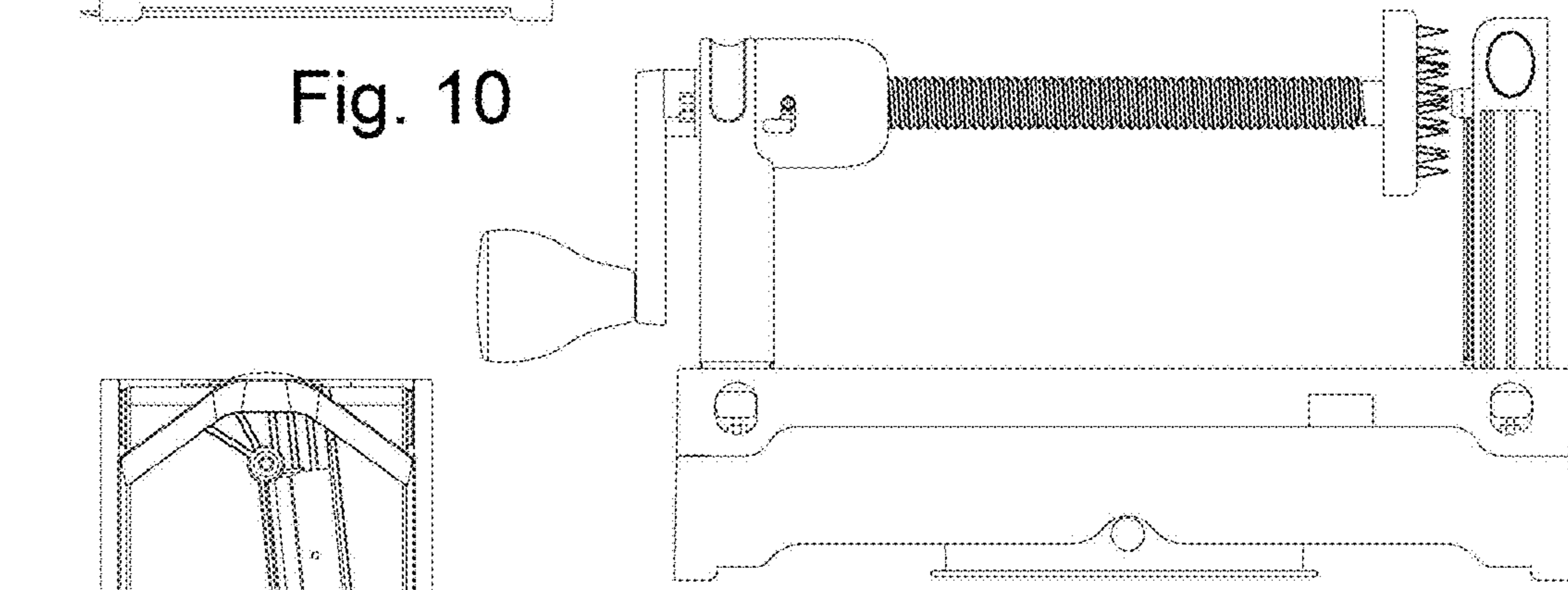


Fig. 10

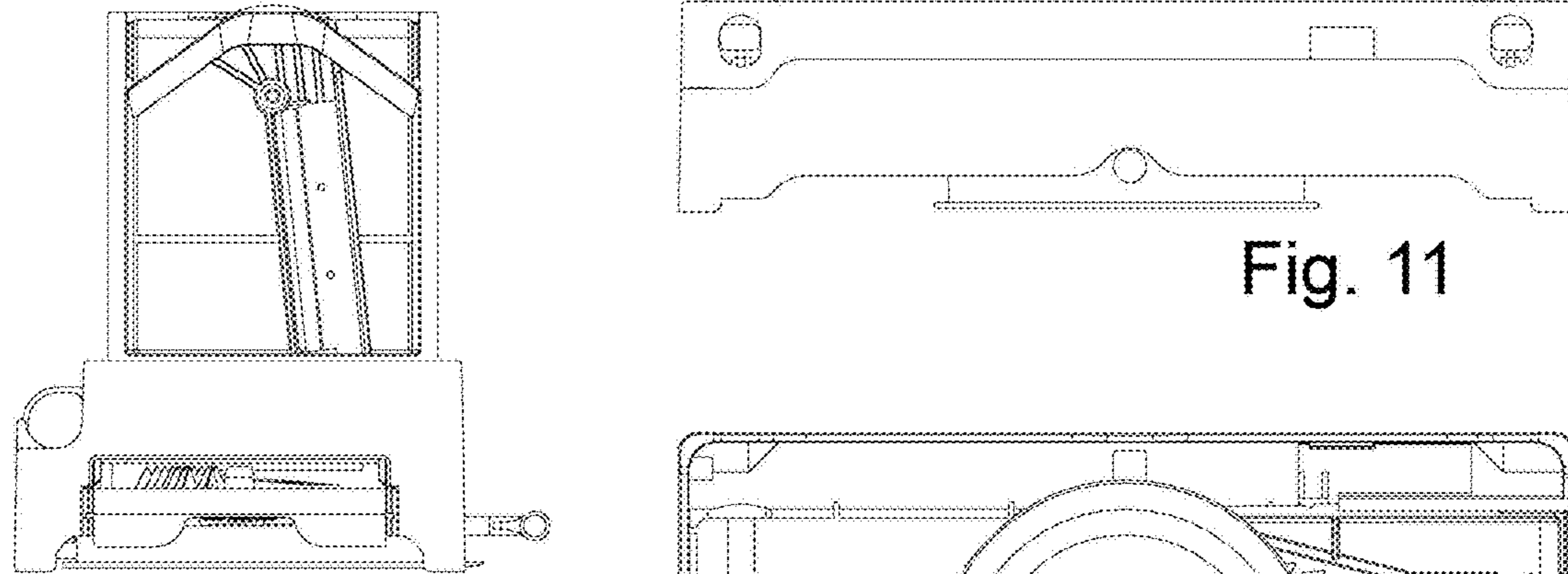


Fig. 11

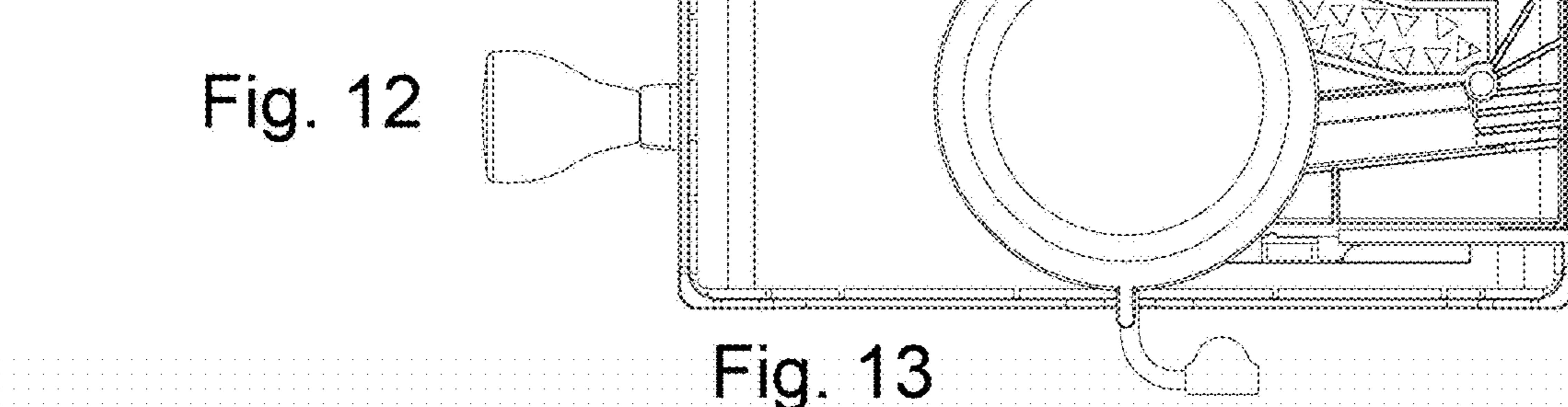


Fig. 12

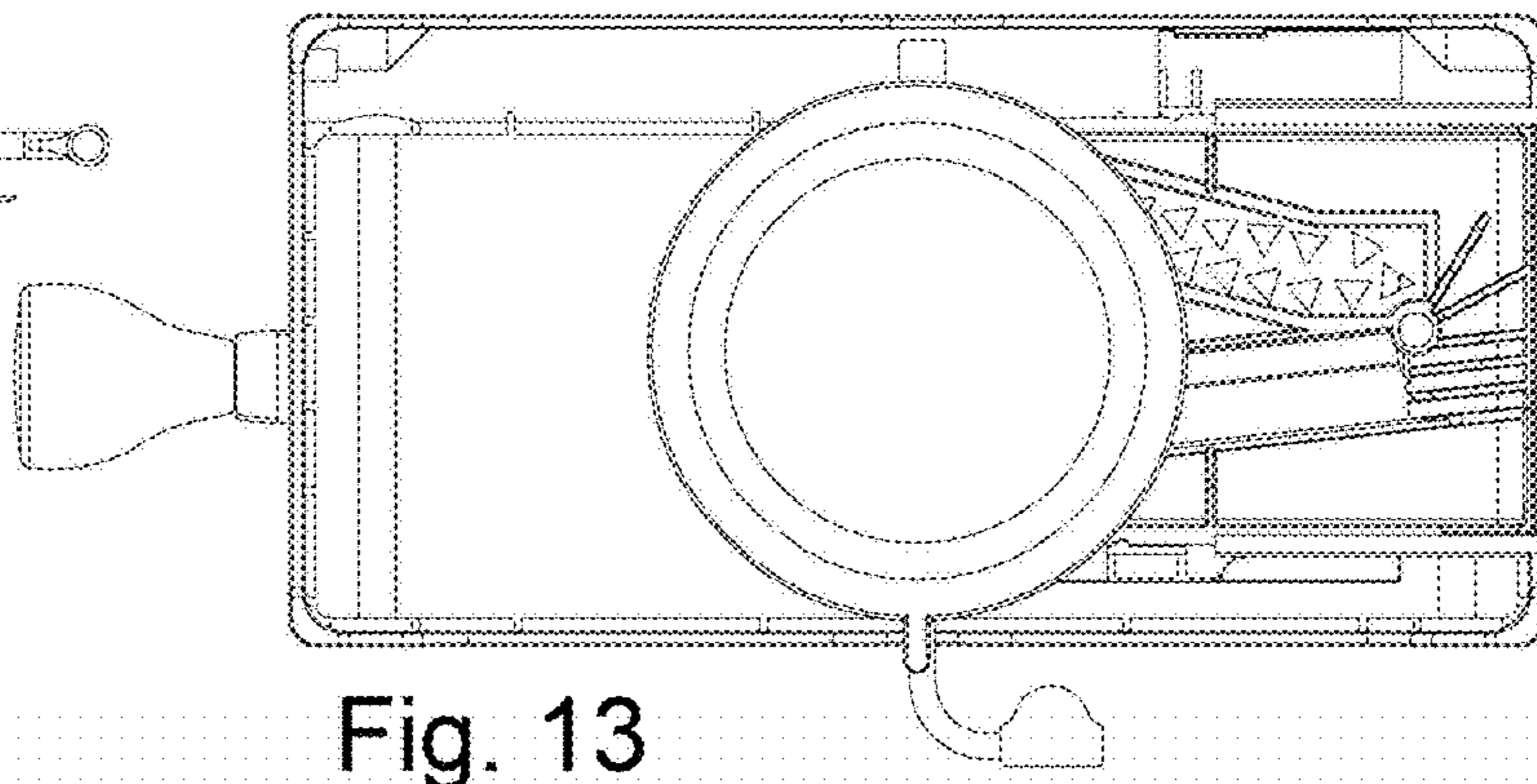


Fig. 13

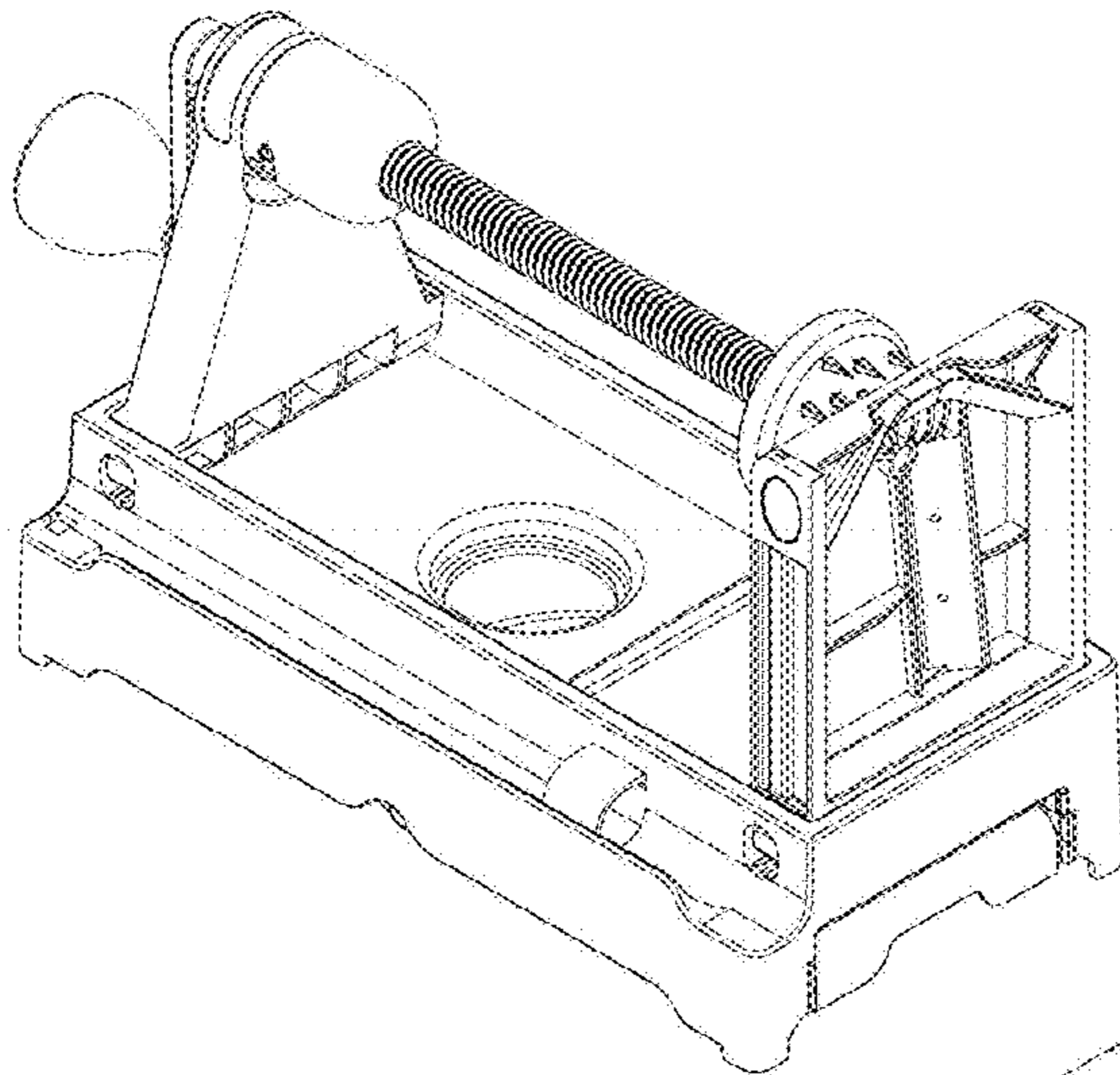


Fig. 14

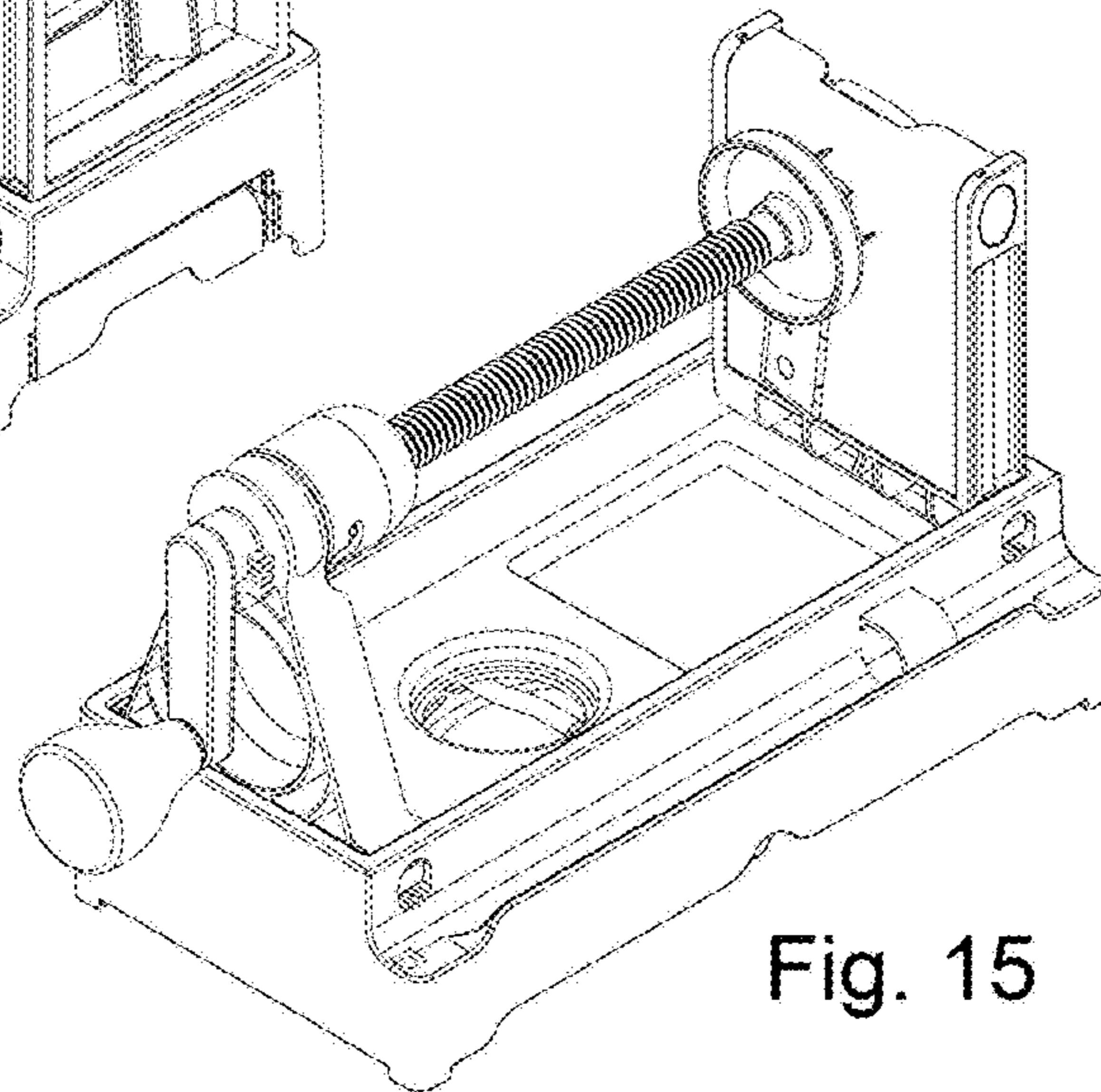


Fig. 15

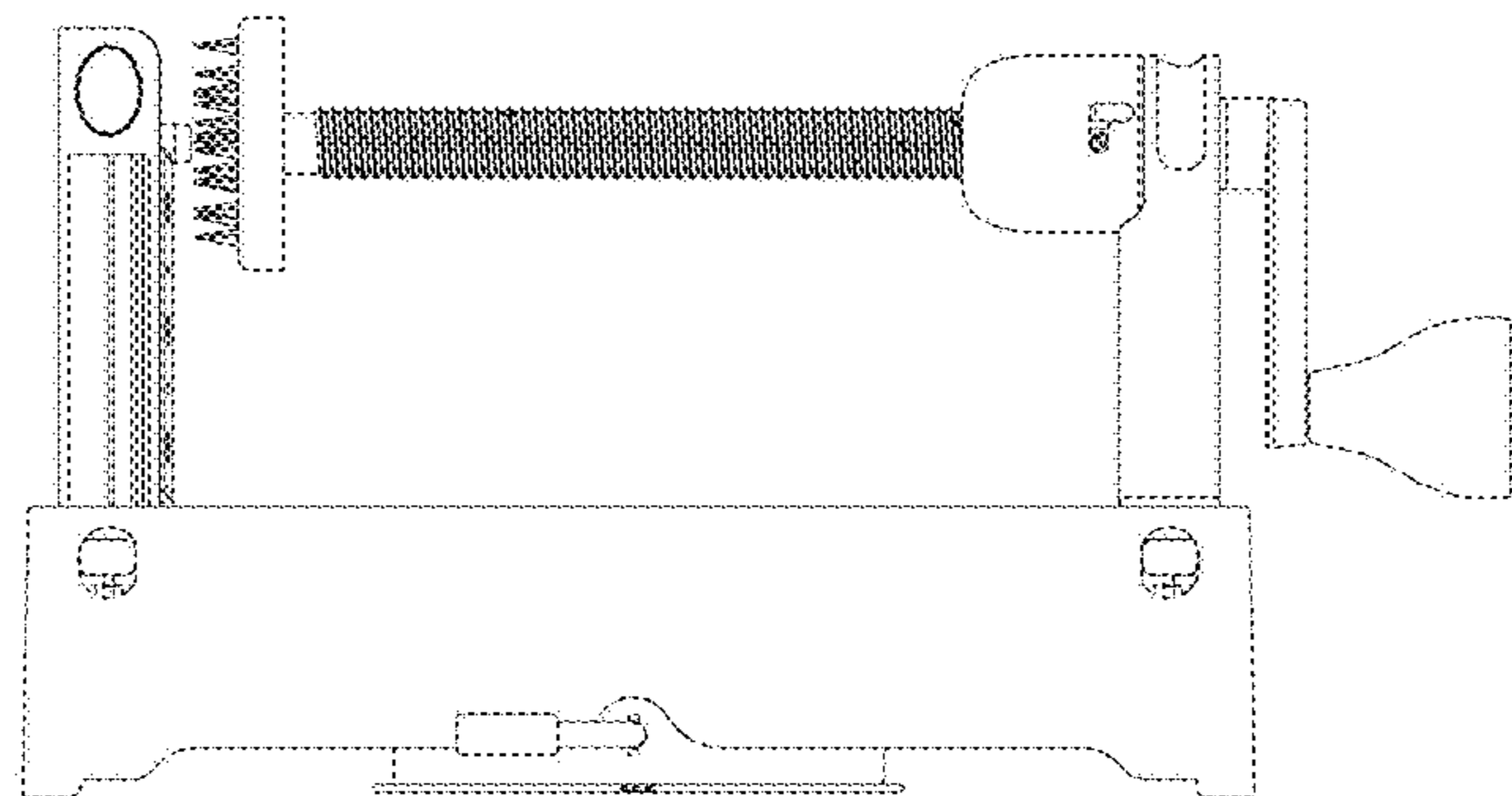


Fig. 16