

US00D793180S

(12) **United States Design Patent** (10) **Patent No.:** **US D793,180 S**  
**Christoforidou** (45) **Date of Patent:** **\*\* Aug. 1, 2017**

(54) **CORER**

FOREIGN PATENT DOCUMENTS

(71) Applicant: **Alison Christoforidou**, Birmingham (GB)

EM 002745372-0001 7/2015

\* cited by examiner

(72) Inventor: **Alison Christoforidou**, Birmingham (GB)

*Primary Examiner* — Terry Wallace

(73) Assignee: **JACK HOLDEN LTD.**, Birmingham (GB)

(74) *Attorney, Agent, or Firm* — Crose Law LLC; Bradley D. Crose

(\*\*) Term: **15 Years**

(57) **CLAIM**

(21) Appl. No.: **29/553,245**

The ornamental design for a corer, as shown and described.

(22) Filed: **Jan. 29, 2016**

(30) **Foreign Application Priority Data**

Jul. 29, 2015 (EM) ..... 002745372-001

(51) **LOC (10) Cl.** ..... **07-04**

(52) **U.S. Cl.**  
USPC ..... **D7/693**

(58) **Field of Classification Search**  
USPC ..... D7/680–696  
CPC ... B26B 9/02; B26D 3/169; B26D 3/16; A47J 25/00; A47J 17/04; A23N 4/00; A23N 4/12

See application file for complete search history.

(56) **References Cited**

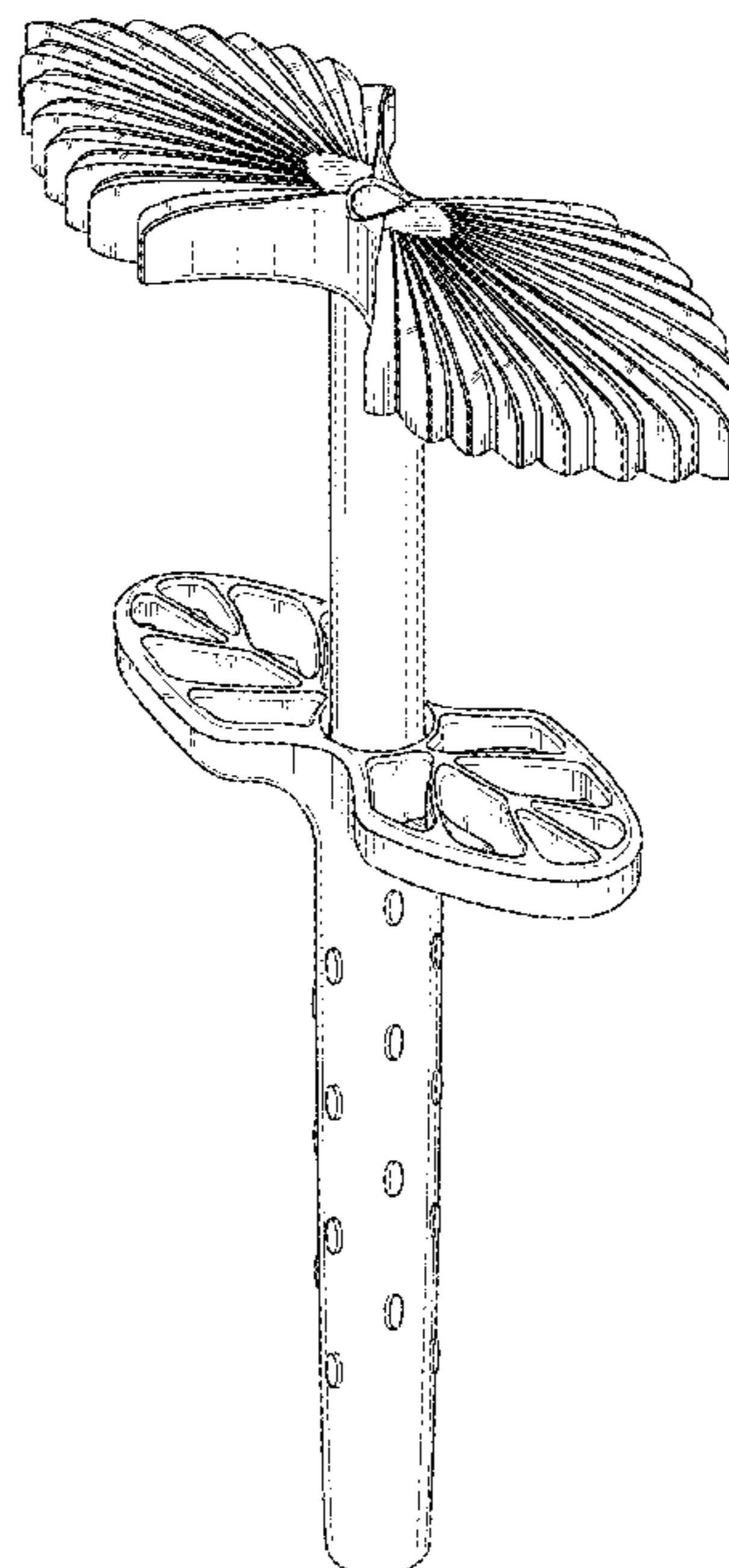
U.S. PATENT DOCUMENTS

2,990,615	A *	7/1961	Ohler	.....	A47J 25/00 172/21
5,092,043	A *	3/1992	Shirkey	.....	A47J 25/00 30/113.1
6,032,368	A *	3/2000	Huang	.....	A47J 25/00 30/113.1

**DESCRIPTION**

FIG. 1 is a front perspective view of a corer, illustrating the new, original, and ornamental design;  
 FIG. 2 is a front perspective, extended view of the corer, illustrating the new, original, and ornamental design;  
 FIG. 3 is a front perspective, fully extended view of the corer, illustrating the new, original, and ornamental design;  
 FIG. 4 is a front planar view of the corer, illustrating the new, original, and ornamental design;  
 FIG. 5 is a side planar view of the corer, illustrating the new, original, and ornamental design;  
 FIG. 6 is a top planar view of the corer, illustrating the new, original, and ornamental design;  
 FIG. 7 is an bottom planar view of the corer, illustrating the new, original, and ornamental design; and,  
 FIG. 8 is a side perspective view of the corer, illustrating the new, original, and ornamental design.

**1 Claim, 8 Drawing Sheets**



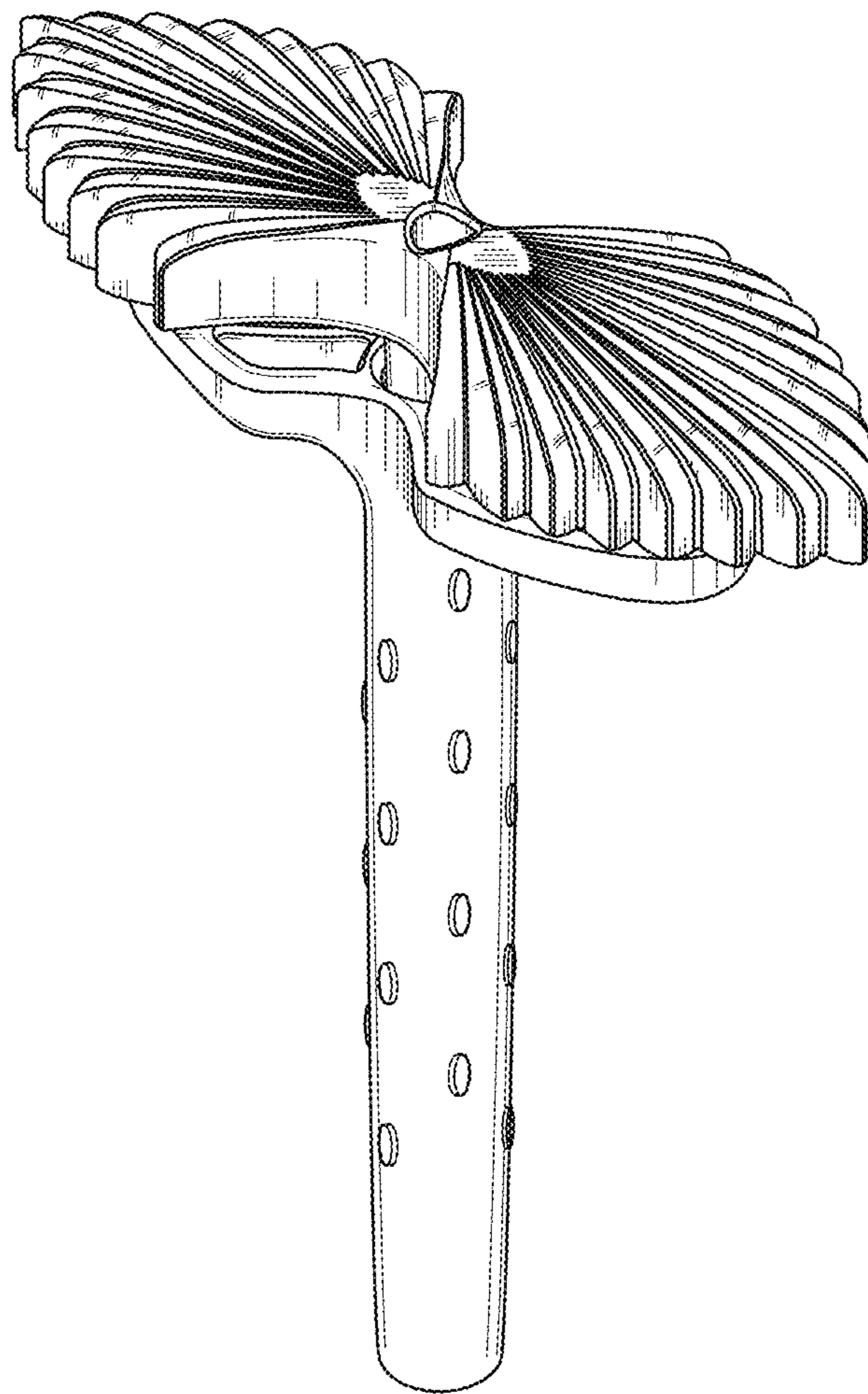


FIG. 1

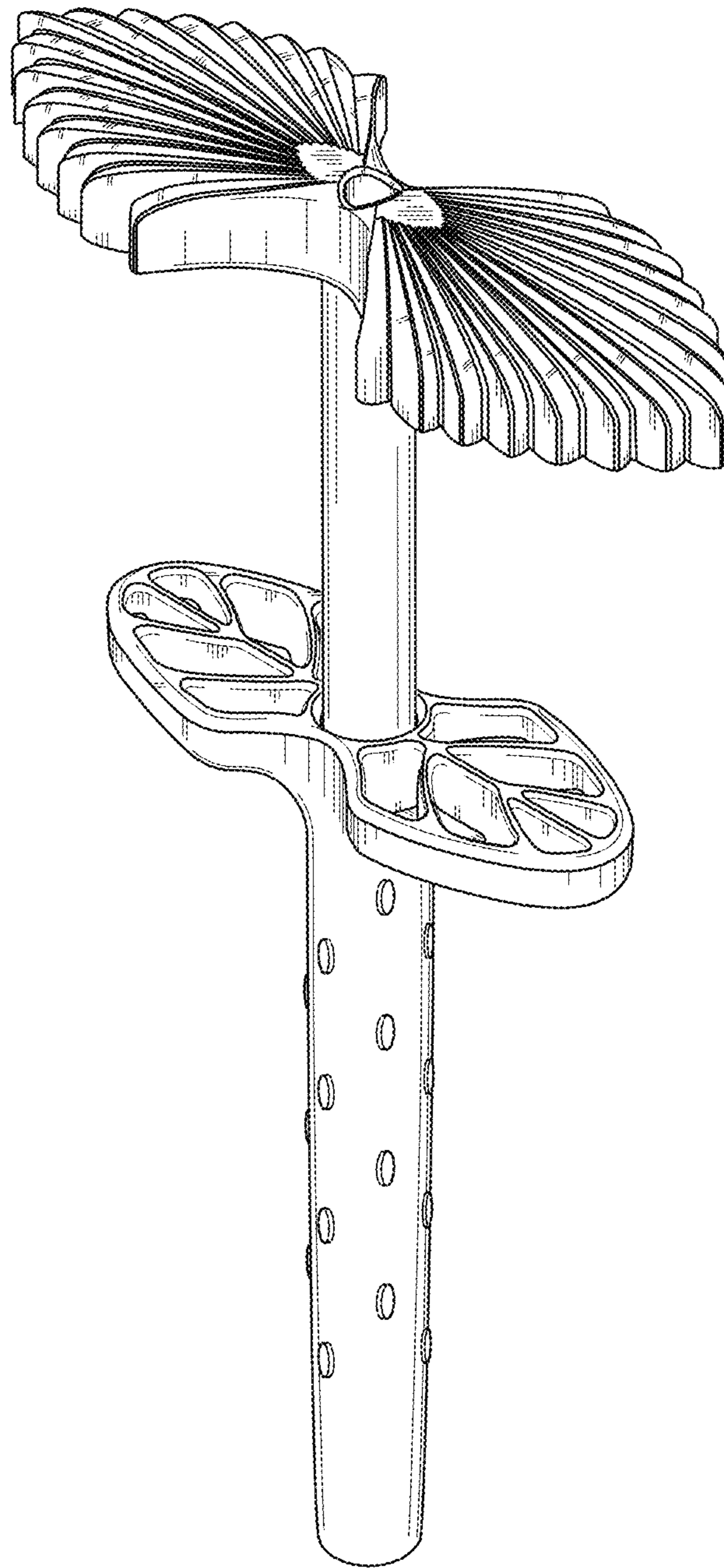


FIG. 2

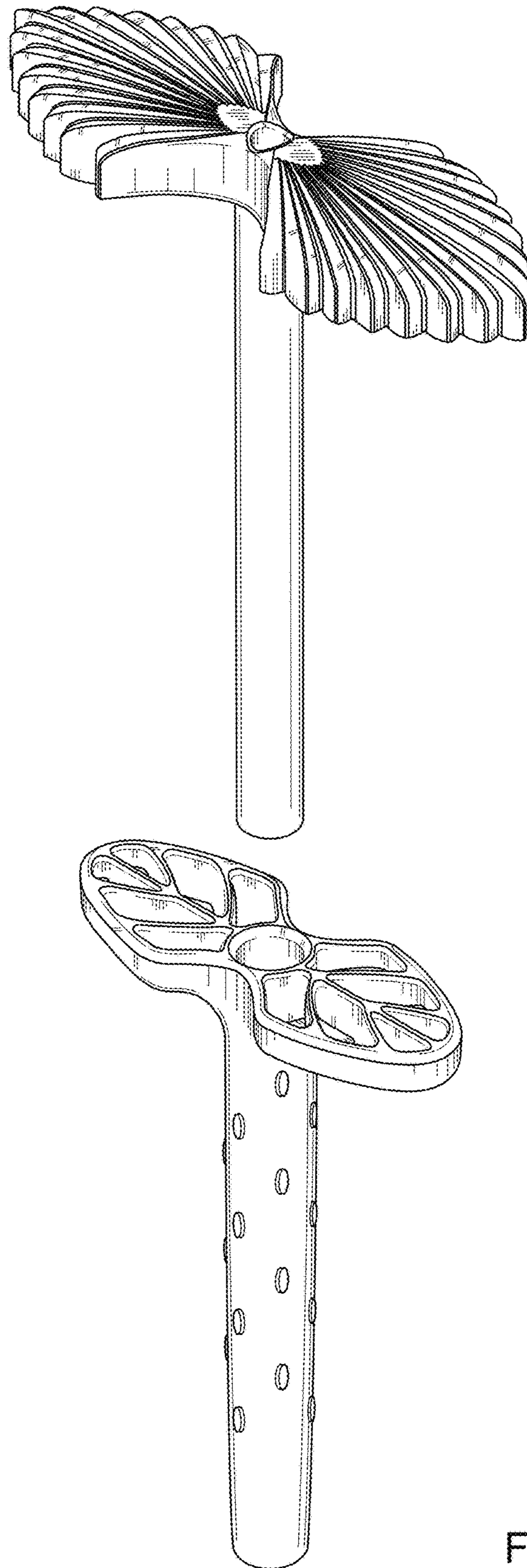


FIG. 3

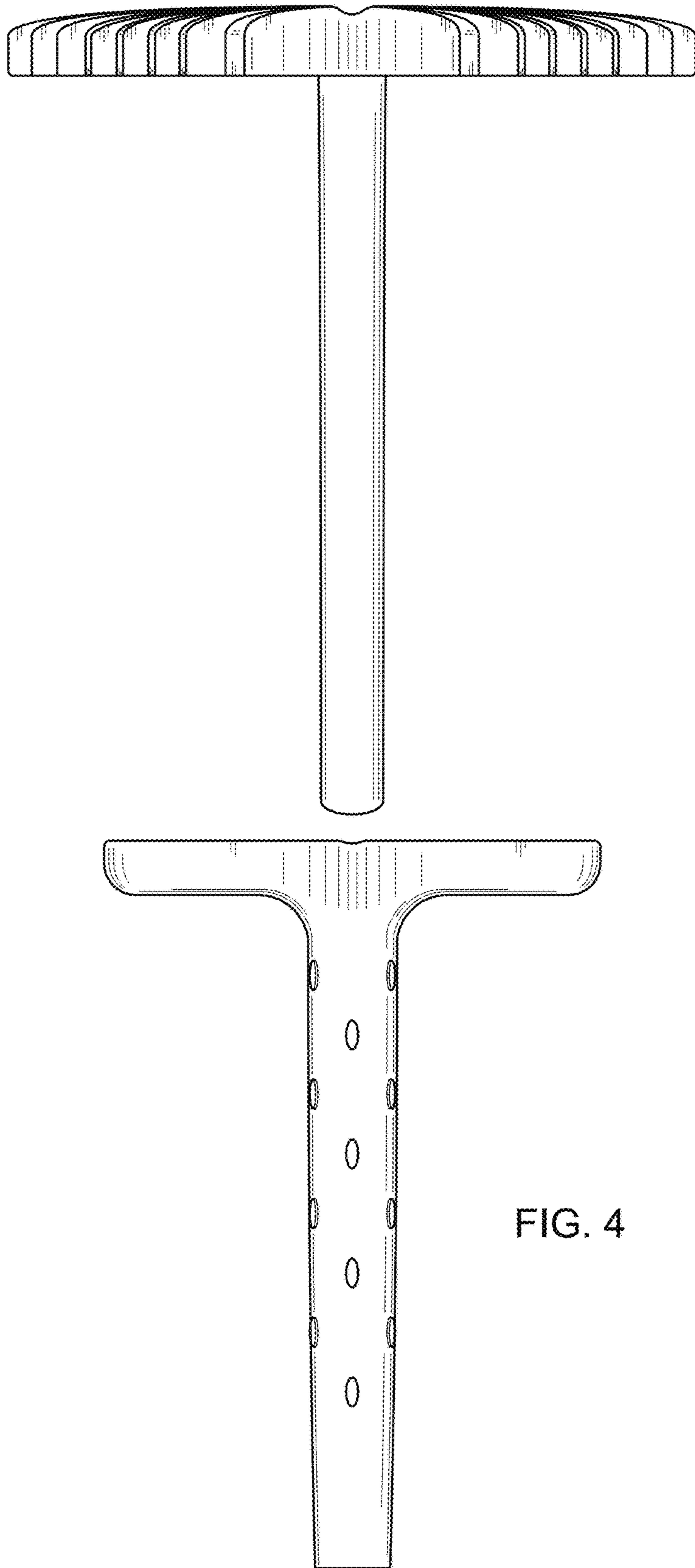


FIG. 4

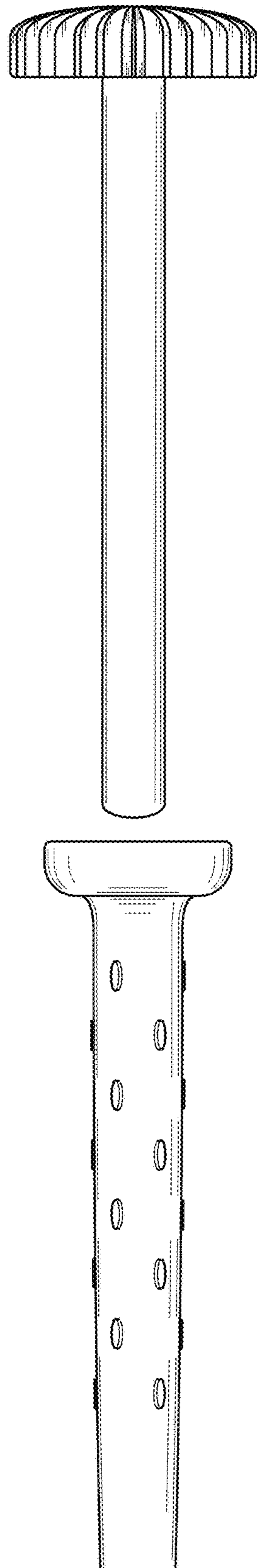


FIG. 5

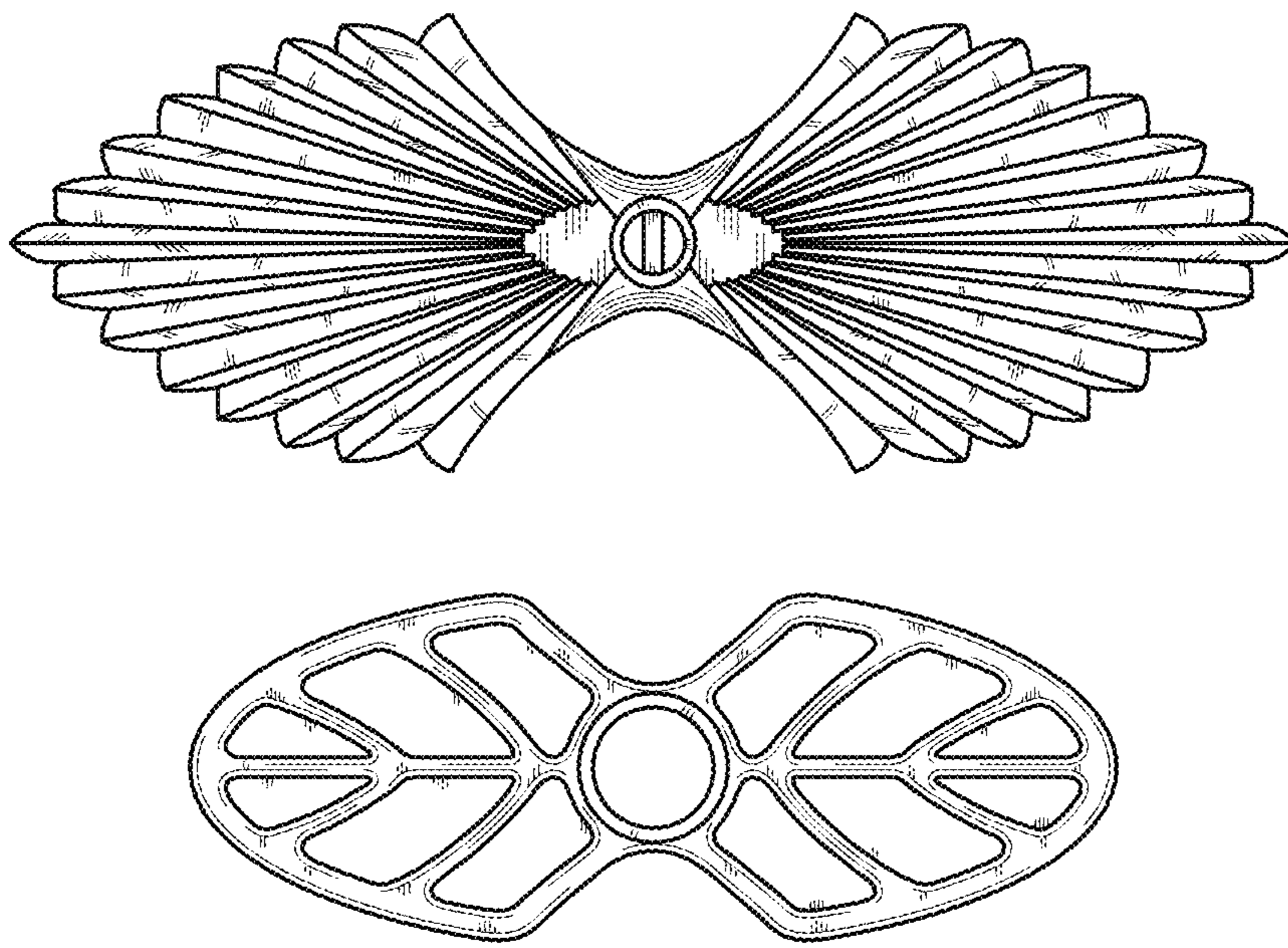


FIG. 6

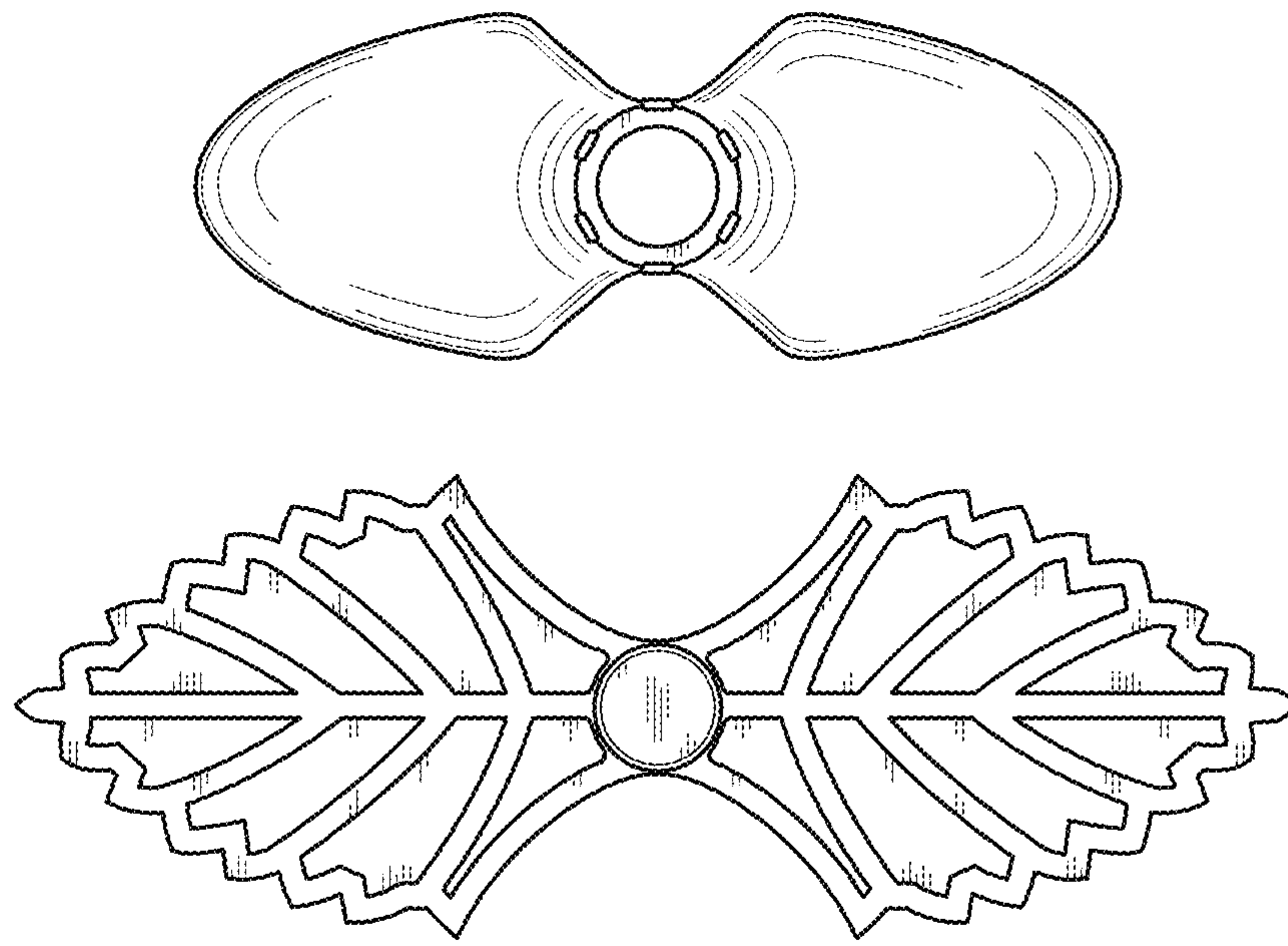


FIG. 7



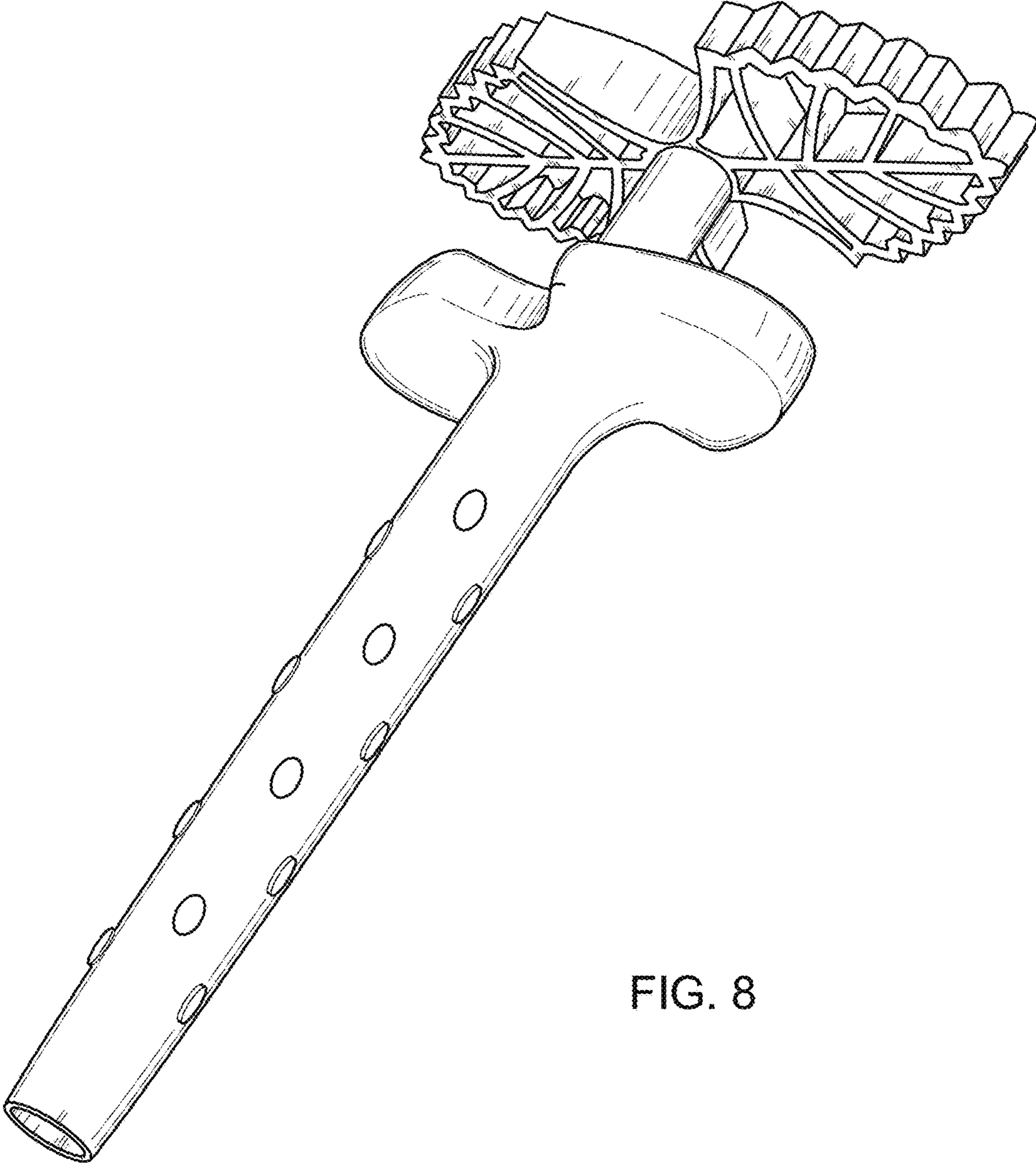


FIG. 8