



US00D793179S

(12) **United States Design Patent** (10) **Patent No.:** **US D793,179 S**
Exley (45) **Date of Patent:** **** Aug. 1, 2017**

(54) **COMBINATION MANDOLIN AND PEELER HOLDER**

(71) Applicant: **ONTEL PRODUCTS CORPORATION**, Fairfield, NJ (US)

(72) Inventor: **Ross Exley**, Fairfield, NJ (US)

(73) Assignee: **ONTEL PRODUCTS CORPORATION**, Fairfield, NJ (US)

(**) Term: **14 Years**

(21) Appl. No.: **29/526,183**

(22) Filed: **May 7, 2015**

(51) **LOC (10) Cl.** **07-04**

(52) **U.S. Cl.**
USPC **D7/673**

(58) **Field of Classification Search**
USPC D7/672-676, 693, 359, 412, 376-386,
D7/677-679, 372-375; 83/932
CPC B26D 3/24-3/283; B26D
2003/285-2003/288; B26D 2210/02;
B26D 7/01; B26D 7/00; A47J 43/25;
A47J 43/255

See application file for complete search history.

(56) **References Cited**

U.S. PATENT DOCUMENTS

D354,886	S *	1/1995	Diefenbach	D7/678
D400,767	S *	11/1998	de Saint-Genois	D7/673
5,865,110	A	2/1999	Yonezawa		
6,327,971	B1	12/2001	Ridler		
6,619,194	B1	9/2003	Kuan		
D495,218	S *	8/2004	Yu	D7/673
6,837,133	B2	1/2005	Prommel et al.		
D503,314	S *	3/2005	Wong	D7/673
6,874,236	B2	4/2005	Levien et al.		
D505,301	S *	5/2005	Wong	D7/673

7,065,882	B2	6/2006	Haberstroh		
7,140,111	B2	11/2006	Di Bitonto et al.		
7,185,436	B2	3/2007	Murphy et al.		
D559,635	S *	1/2008	Wong	D7/673
7,415,769	B2	8/2008	Hughes		
D578,836	S *	10/2008	Hood	D7/673
D611,780	S	3/2010	Laib		
D650,642	S *	12/2011	Fung	D7/673
8,726,525	B2	5/2014	Bagley et al.		
D751,352	S *	3/2016	Koide	D7/673
D751,869	S *	3/2016	Schoeman	D7/673

(Continued)

Primary Examiner — Susan Bennett Hattan

Assistant Examiner — Brett Miller

(74) *Attorney, Agent, or Firm* — Epstein Drangel LLP;
Robert L. Epstein

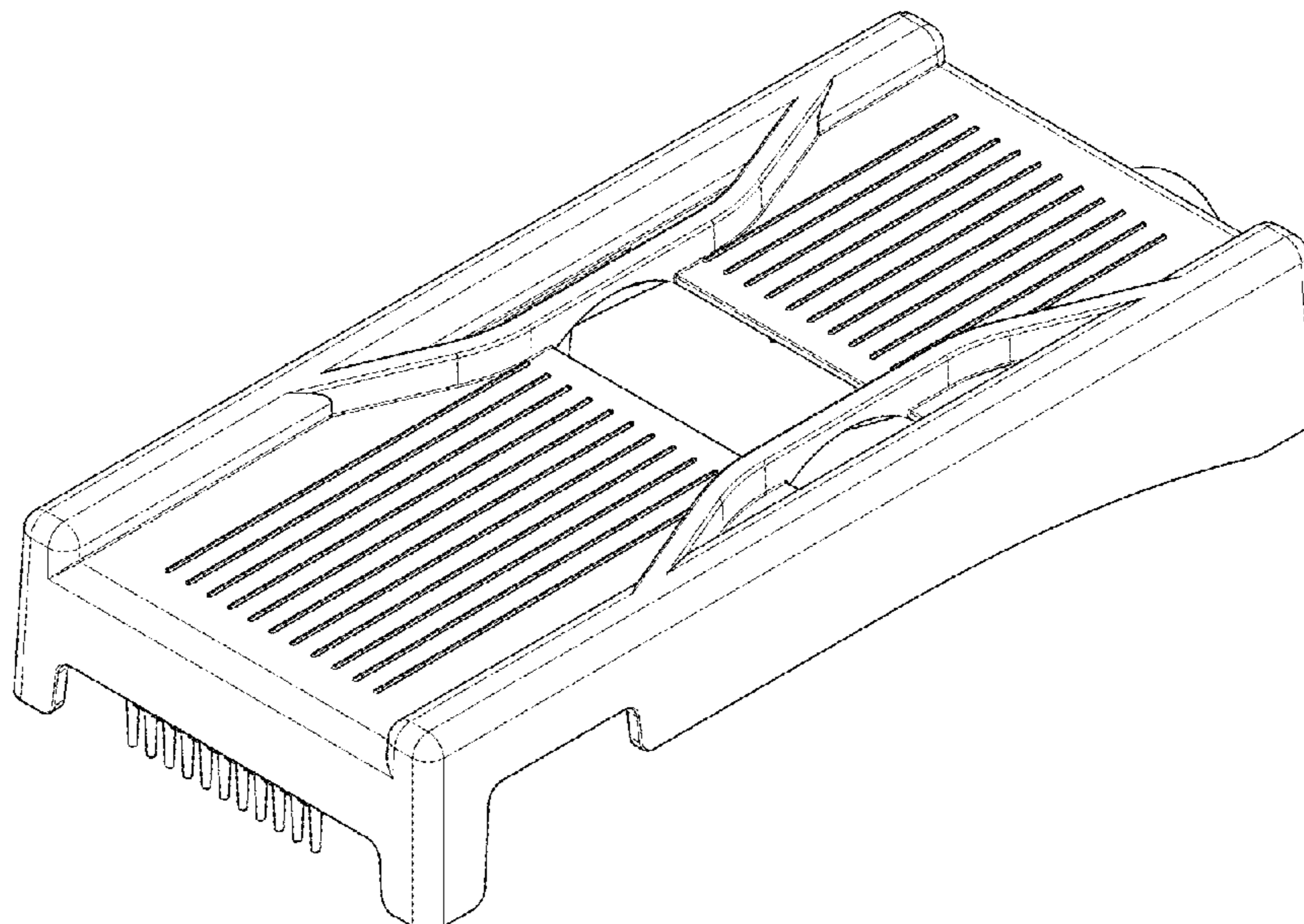
(57) **CLAIM**

The ornamental design for a combination mandolin and peeler holder, substantially as shown and described.

DESCRIPTION

FIG. 1 is a perspective view showing the front, top and one side of my design;
FIG. 2 is a perspective view showing the front, bottom and other side of my design;
FIG. 3 is a front elevation view of my design;
FIG. 4 is a rear elevation view of my design;
FIG. 5 is an elevation view showing the right side of my design;
FIG. 6 is an elevation view showing the left side of my design;
FIG. 7 is a top plan view of my design;
FIG. 8 is a bottom plan view of my design; and,
FIG. 9 is a perspective view of the bottom my design for engaging and supporting a dual blade therein.
The broken lines shown in the drawing depict environment and do not constitute part of the claimed design.

1 Claim, 5 Drawing Sheets



(56)

References Cited

U.S. PATENT DOCUMENTS

2004/0216579 A1* 11/2004 Zeder B26D 3/283
83/698.11
2004/0231482 A1* 11/2004 Boilen B26D 3/283
83/425.3
2008/0098866 A1* 5/2008 DiPietro B26D 3/283
83/440.2
2009/0235830 A1 9/2009 Rasa
2010/0000423 A1 1/2010 Yu et al.
2010/0263212 A1 10/2010 Settele et al.

* cited by examiner

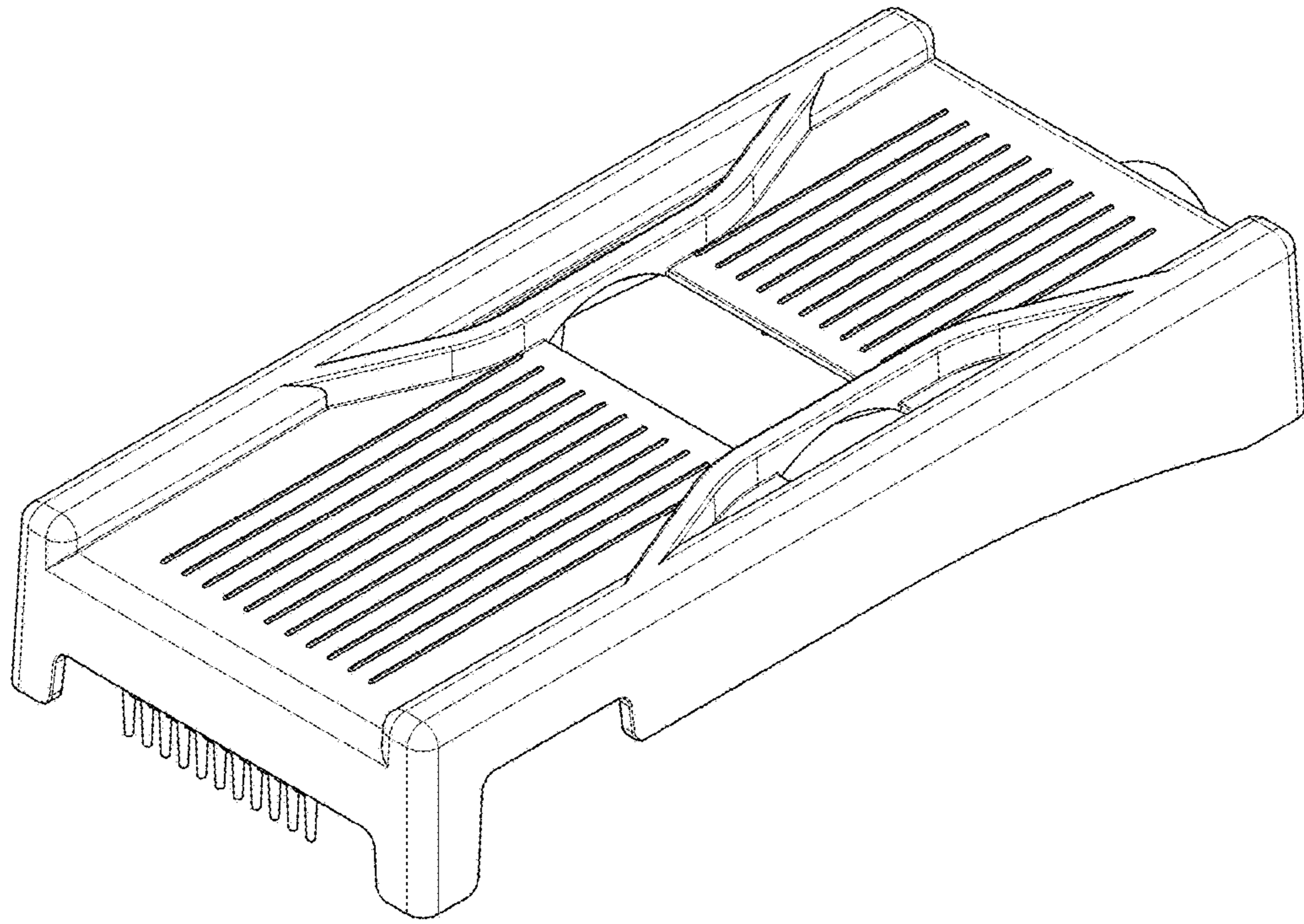


FIG. 1

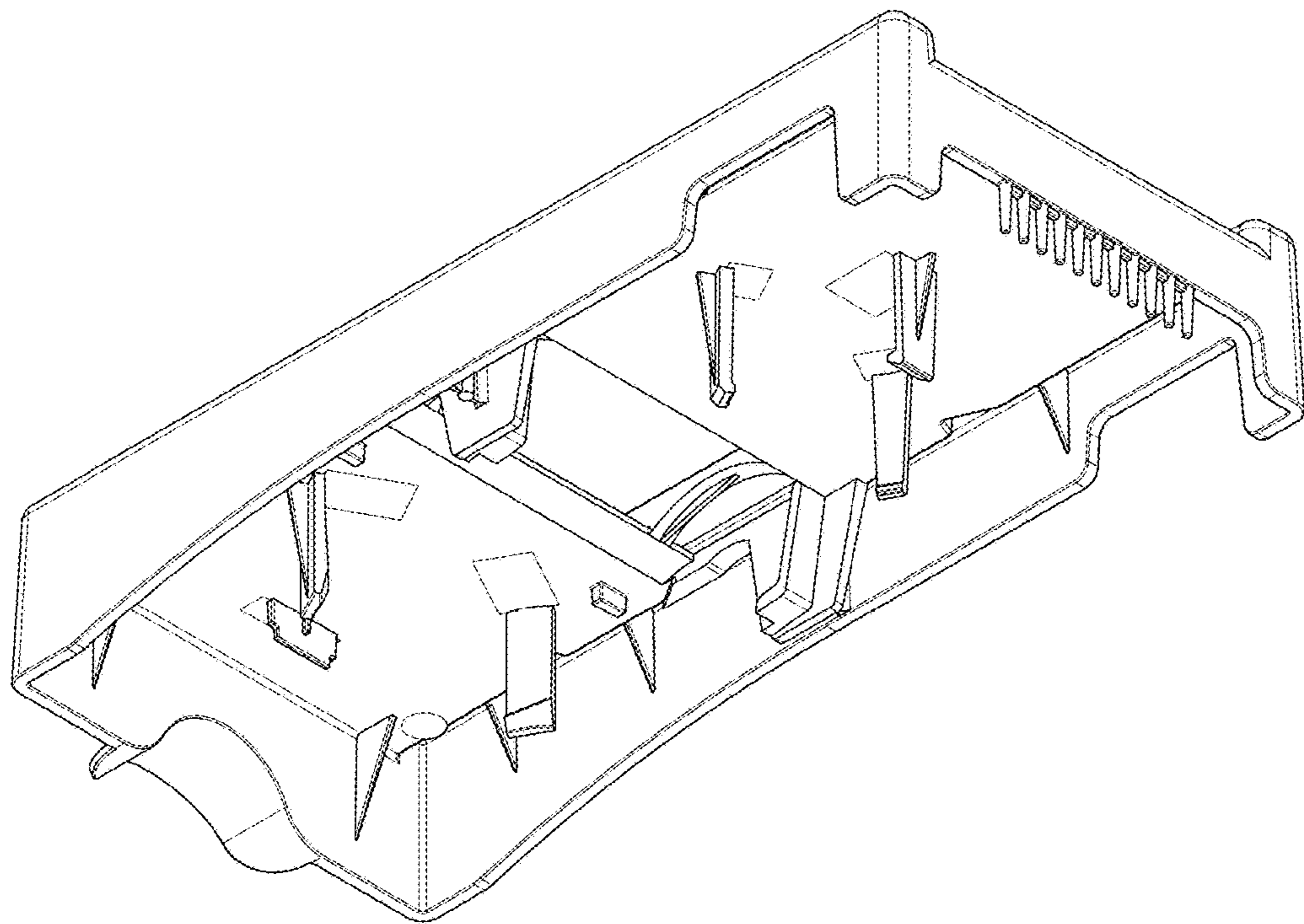


FIG. 2

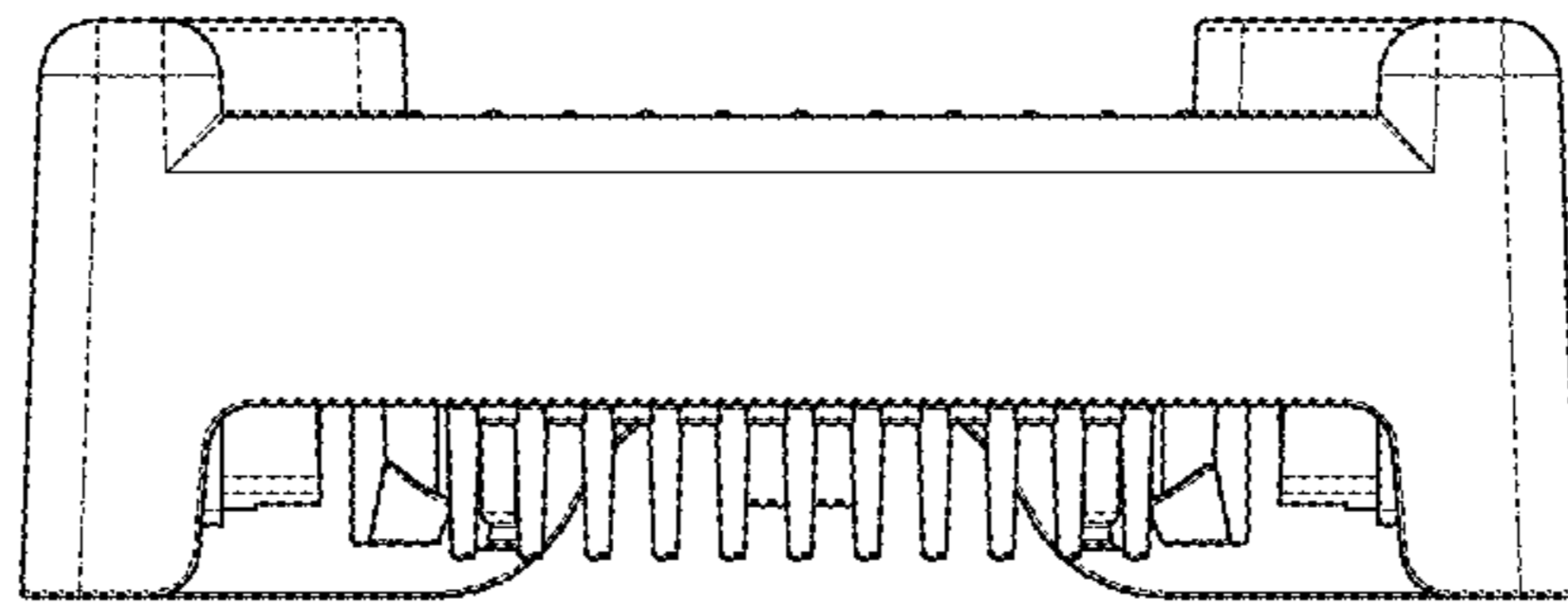


FIG. 3

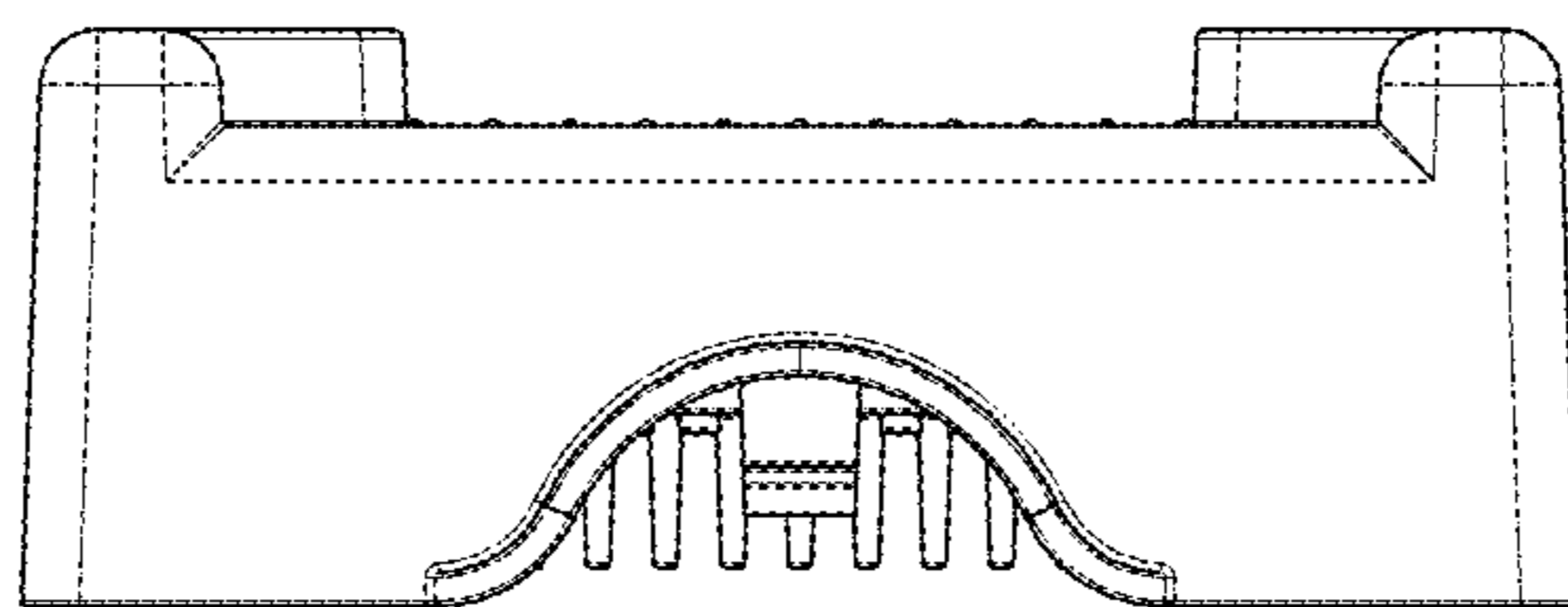


FIG. 4

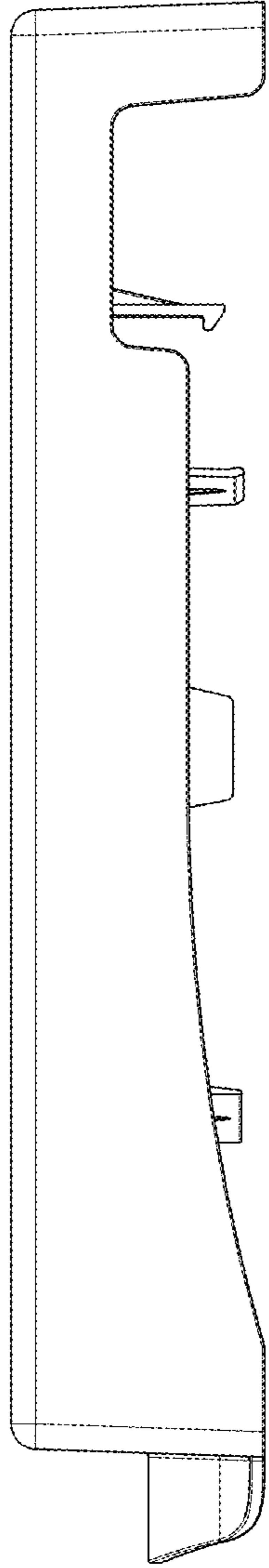


FIG. 5

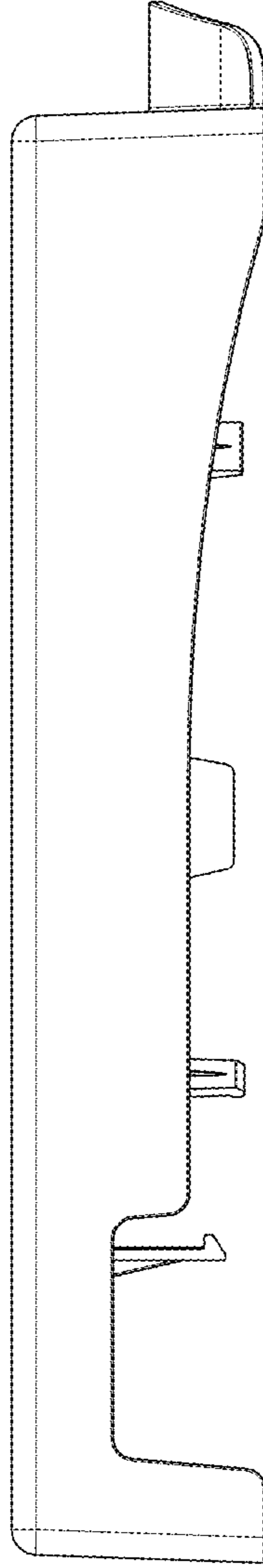


FIG. 6

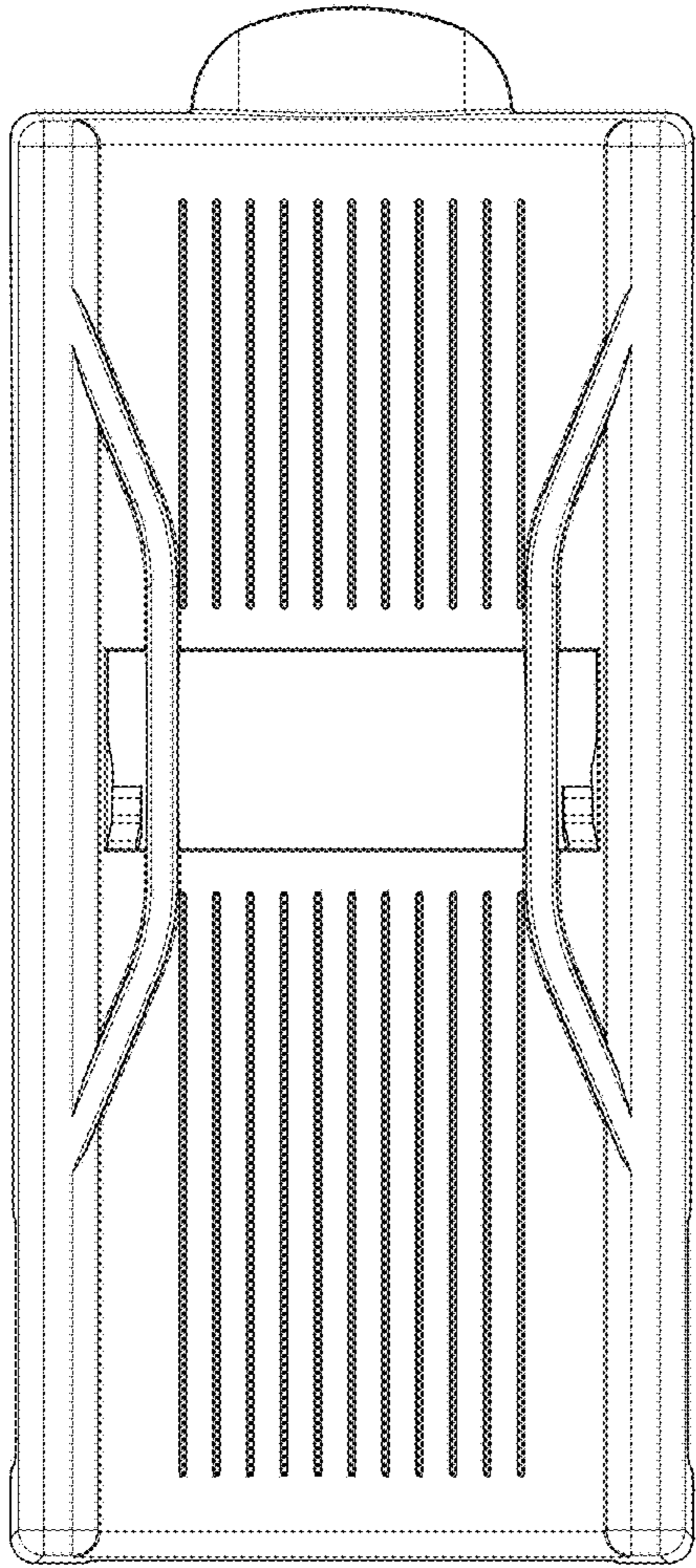


FIG. 7

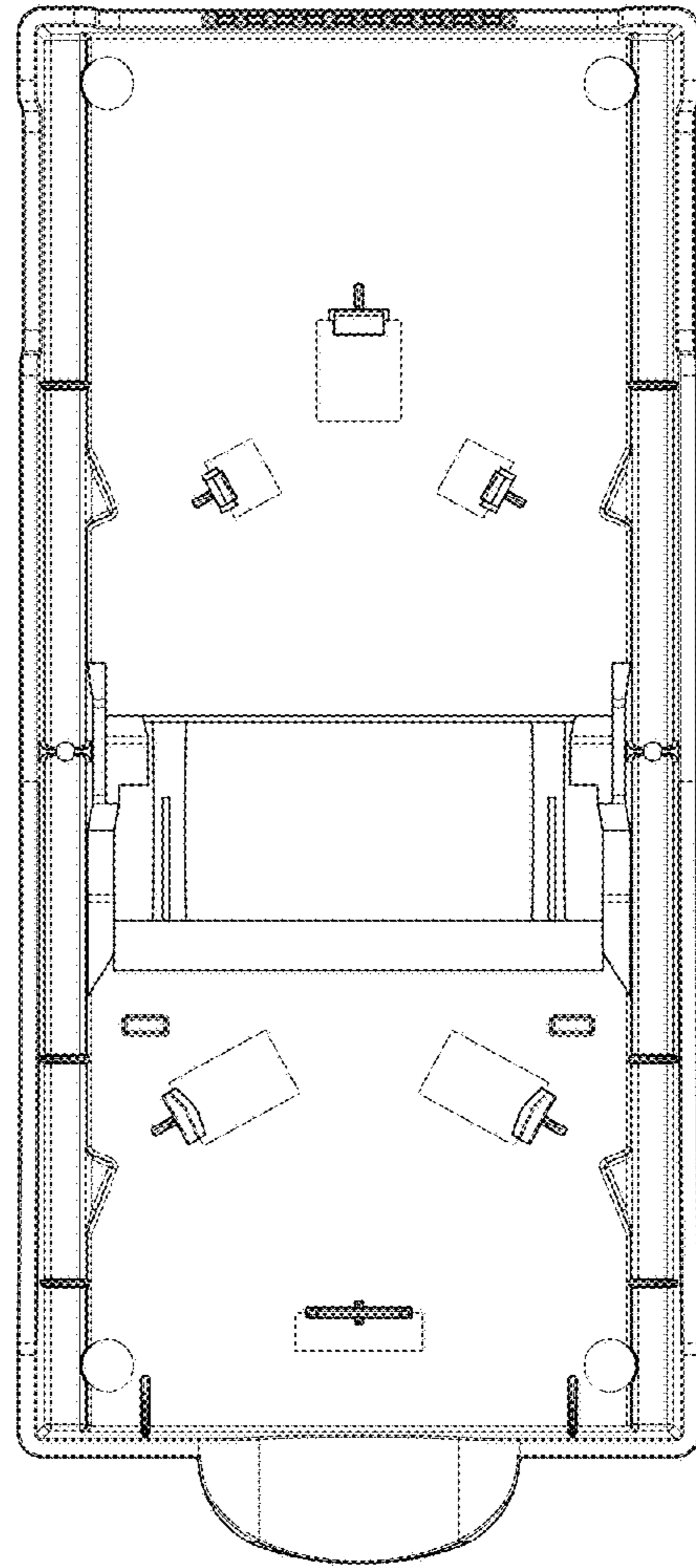


FIG. 8

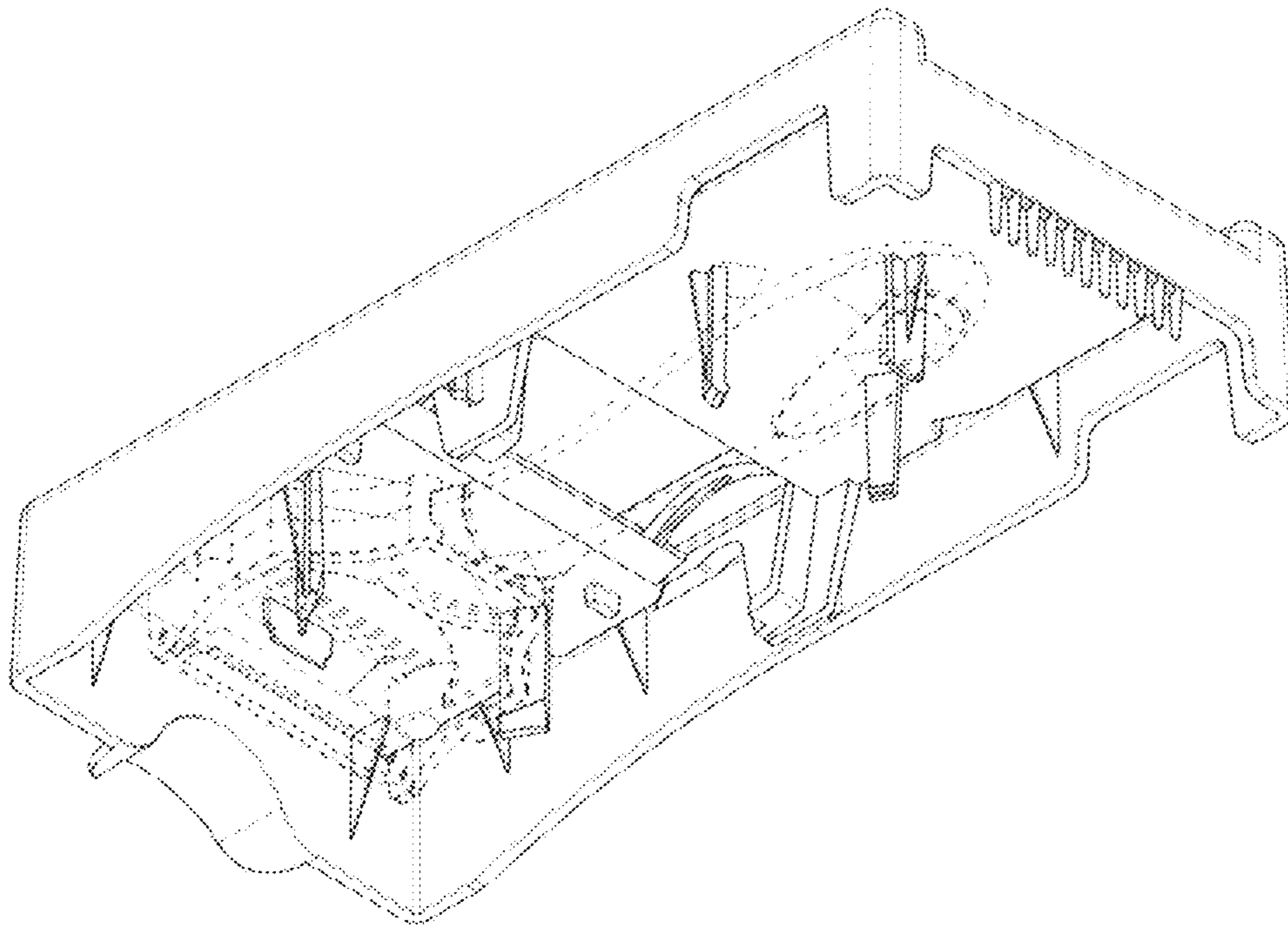


FIG. 9