



US00D793178S

(12) **United States Design Patent** (10) **Patent No.:** **US D793,178 S**
de Buyer et al. (45) **Date of Patent:** **** Aug. 1, 2017**

(54) **MANDOLIN SLICER**
(71) Applicant: **DE BUYER INDUSTRIES**, Le Val d'Ajol (FR)
(72) Inventors: **Julien de Buyer**, Montevideo (UY); **Jean-Noël Mathieu**, Vagney (FR)
(73) Assignee: **DE BUYER INDUSTRIES**, Le Val d'Ajol (FR)

(**) Term: **14 Years**
(21) Appl. No.: **29/519,158**
(22) Filed: **Mar. 3, 2015**

(30) **Foreign Application Priority Data**
Oct. 23, 2014 (WO) DM085074
(51) **LOC (10) Cl.** **07-04**
(52) **U.S. Cl.**
USPC **D7/673**
(58) **Field of Classification Search**
USPC D7/672-676, 693, 359, 412, 677-679,
D7/376-386, 372-375; 83/932
CPC B26D 3/24-3/283; B26D
2003/285-2003/288; B26D 2210/02;
B26D 7/01; B26D 7/00; A47J 43/25;
A47J 43/255
See application file for complete search history.

(56) **References Cited**
U.S. PATENT DOCUMENTS
D326,388 S * 5/1992 Boerner D7/673
D406,018 S * 2/1999 Zirbes D7/381
D534,041 S * 12/2006 De Buyer D7/673

D535,162 S * 1/2007 De Buyer D7/673
D596,467 S * 7/2009 de Buyer D7/693
D618,066 S * 6/2010 De Buyer D7/673
D650,642 S * 12/2011 Fung D7/673
D670,980 S * 11/2012 De Buyer D7/673
D682,049 S * 5/2013 Jossem D7/673
D690,564 S * 10/2013 Tetreault D7/673
2002/0174754 A1 * 11/2002 Vincent A47J 43/25
83/247
2004/0200366 A1 * 10/2004 Koerselman B26D 3/283
99/537
2013/0087033 A1 * 4/2013 Tetreault B26D 3/26
83/440

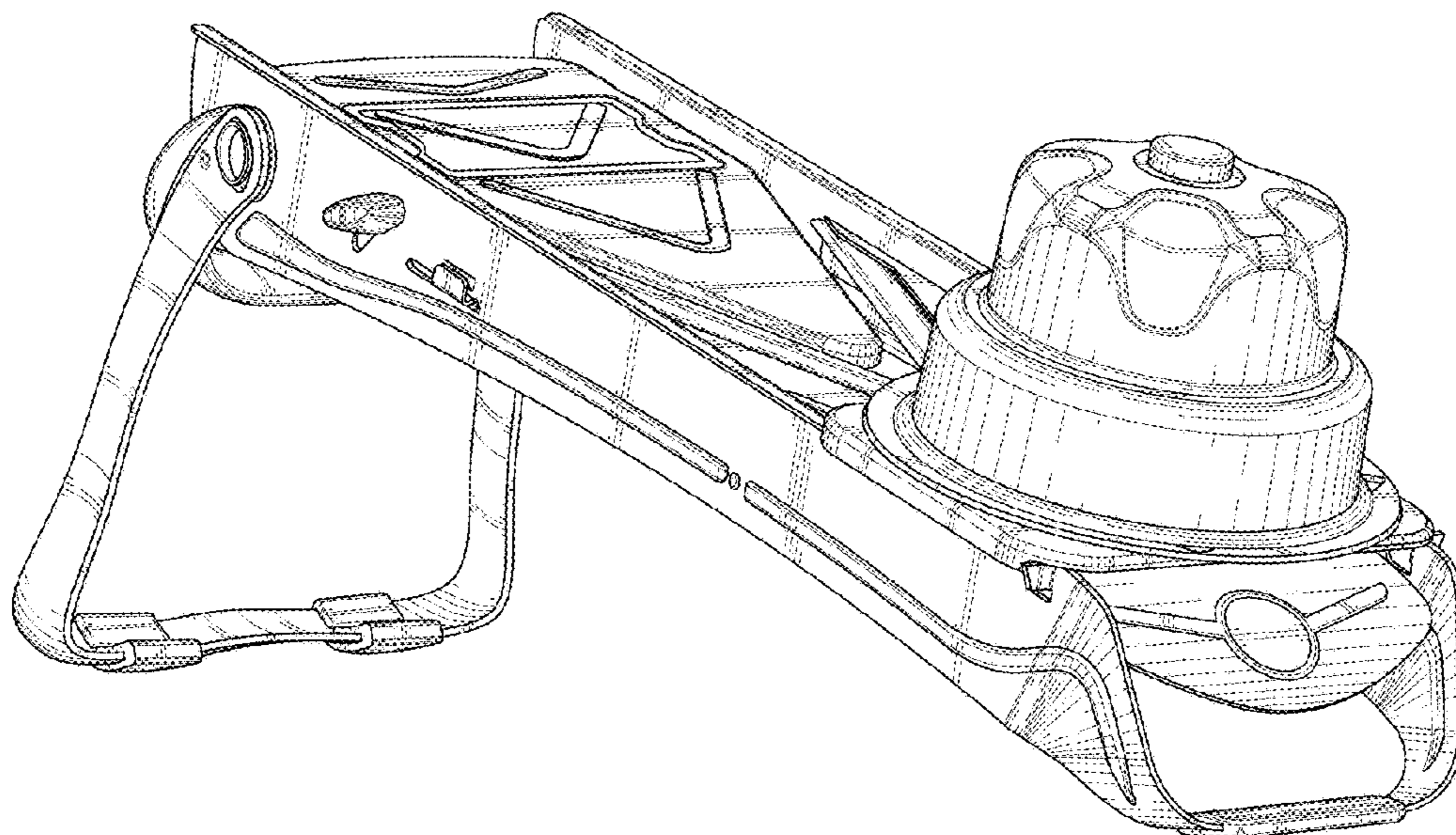
* cited by examiner

Primary Examiner — Susan Bennett Hattan
Assistant Examiner — Brett Miller
(74) *Attorney, Agent, or Firm* — Galgano IP Law PLLC;
Thomas M. Galgano; Jessica G. McDonald

(57) **CLAIM**
The ornamental design for a mandolin slicer, as shown and described.

DESCRIPTION
FIG. 1 is a top and left side perspective view of the mandolin slicer, showing our new design;
FIG. 2 is a left side elevational view thereof;
FIG. 3 is a right side elevational view thereof;
FIG. 4 is a front elevational view thereof;
FIG. 5 is a rear elevational view thereof;
FIG. 6 is a top plan view thereof;
FIG. 7 is a bottom plan view thereof;
FIG. 8 is a top and left side perspective view thereof, the pusher portion removed for clarity of illustration; and,
FIG. 9 is a top plan view of FIG. 8.

1 Claim, 8 Drawing Sheets



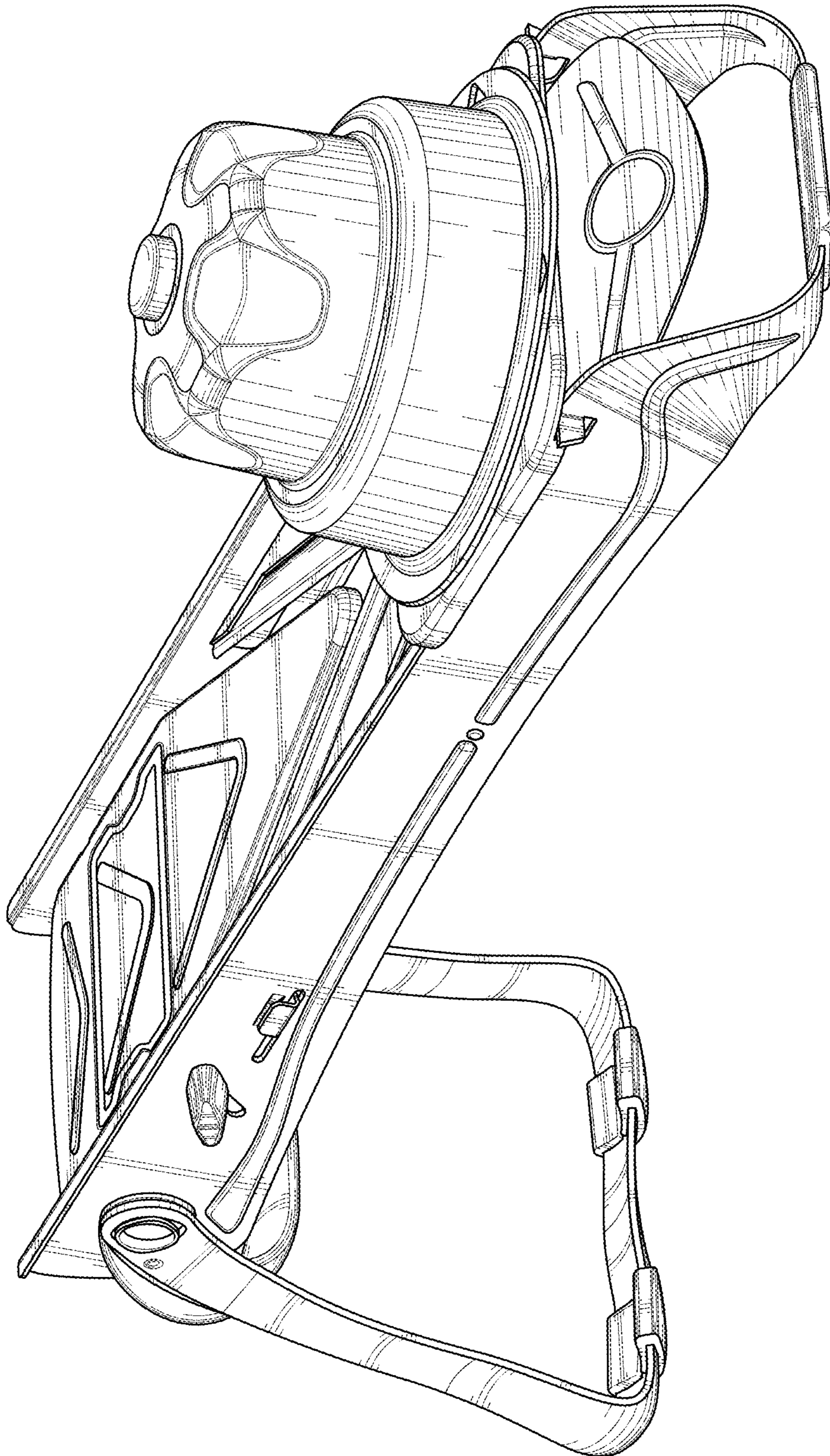


FIG. 1

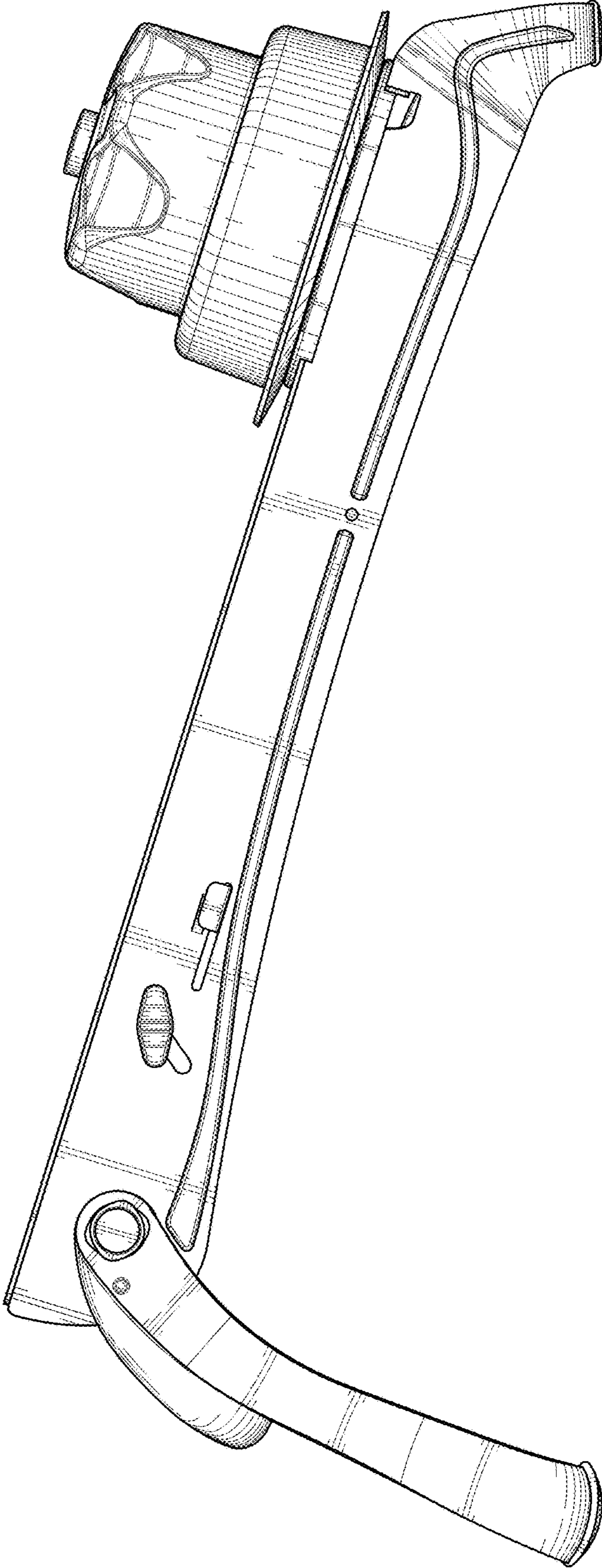


FIG. 2

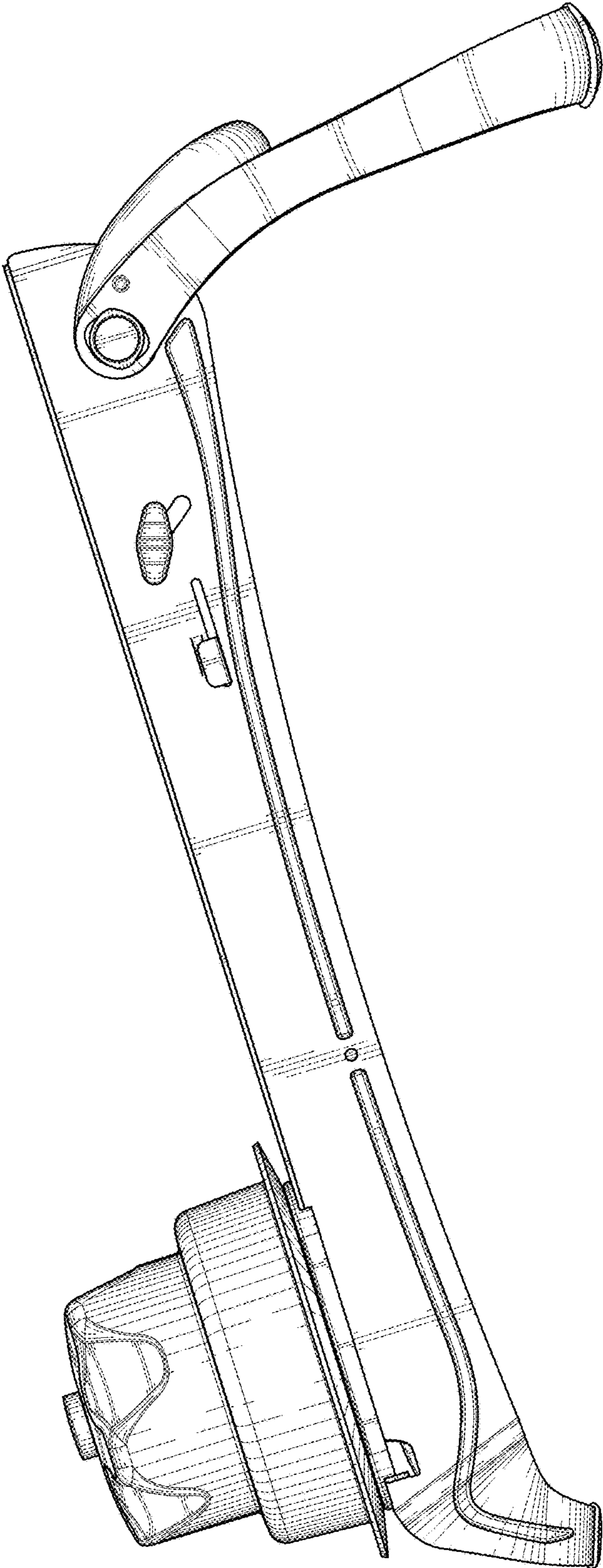


FIG. 3

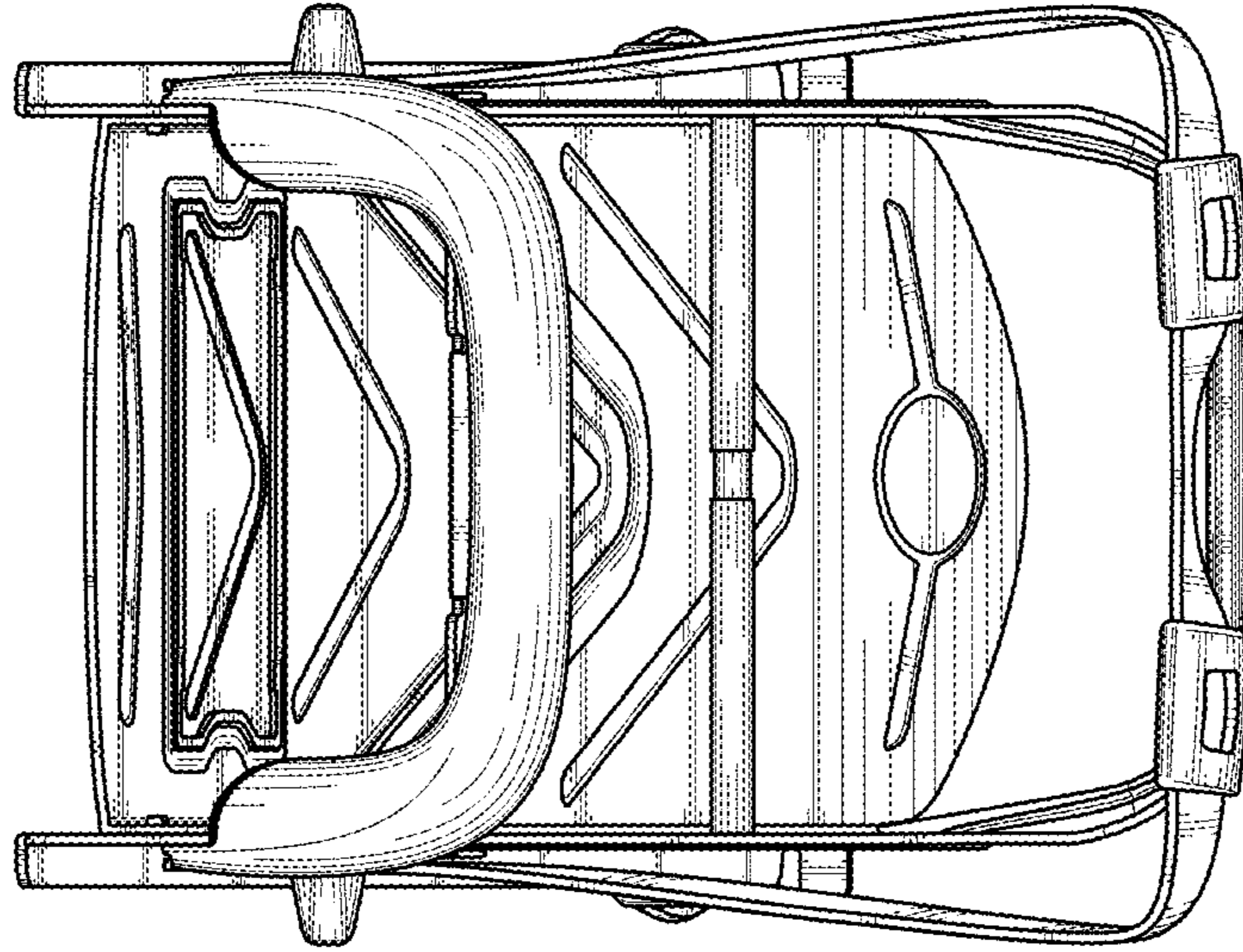


FIG. 5

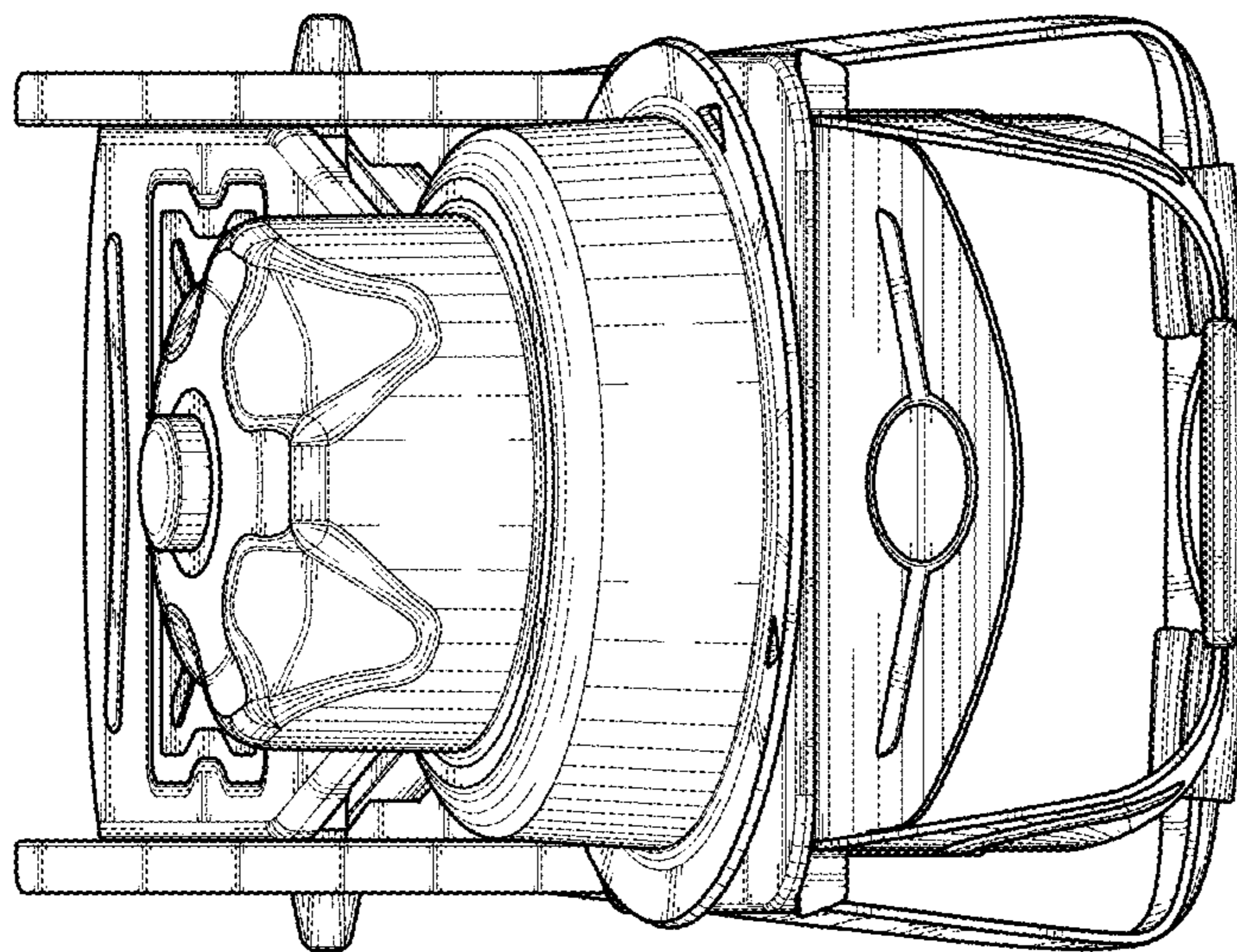


FIG. 4

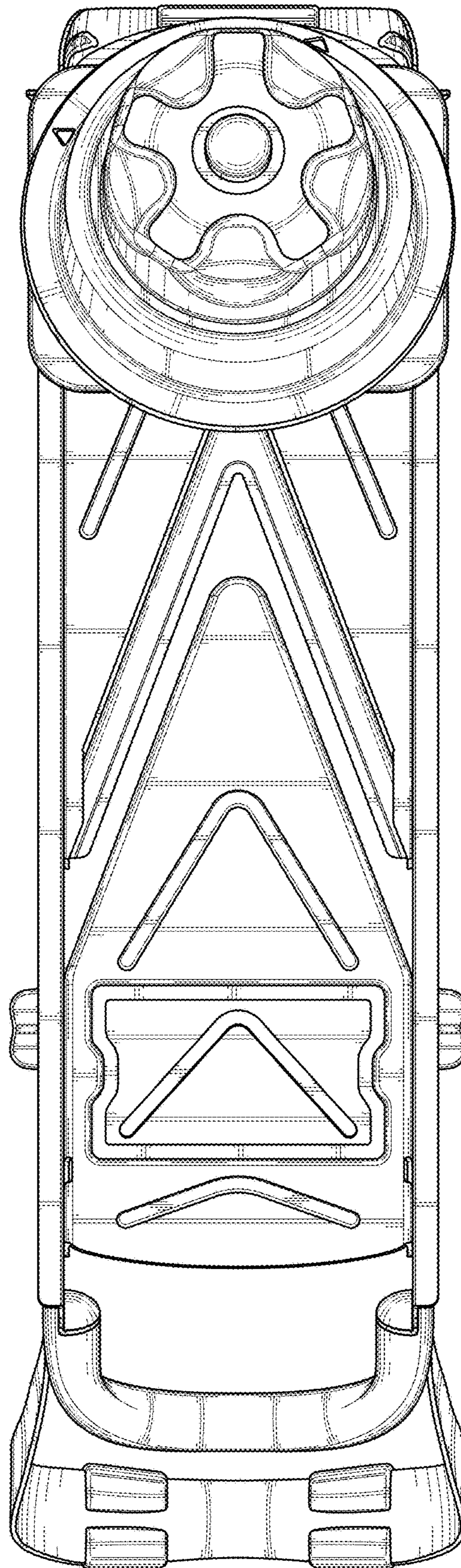


FIG. 6

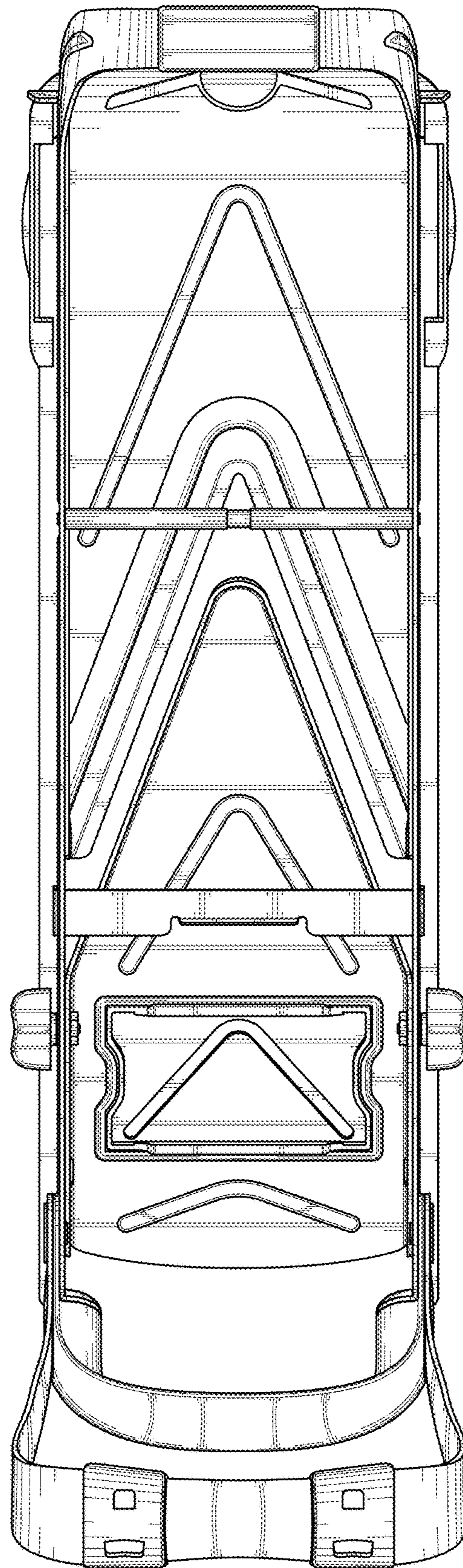


FIG. 7

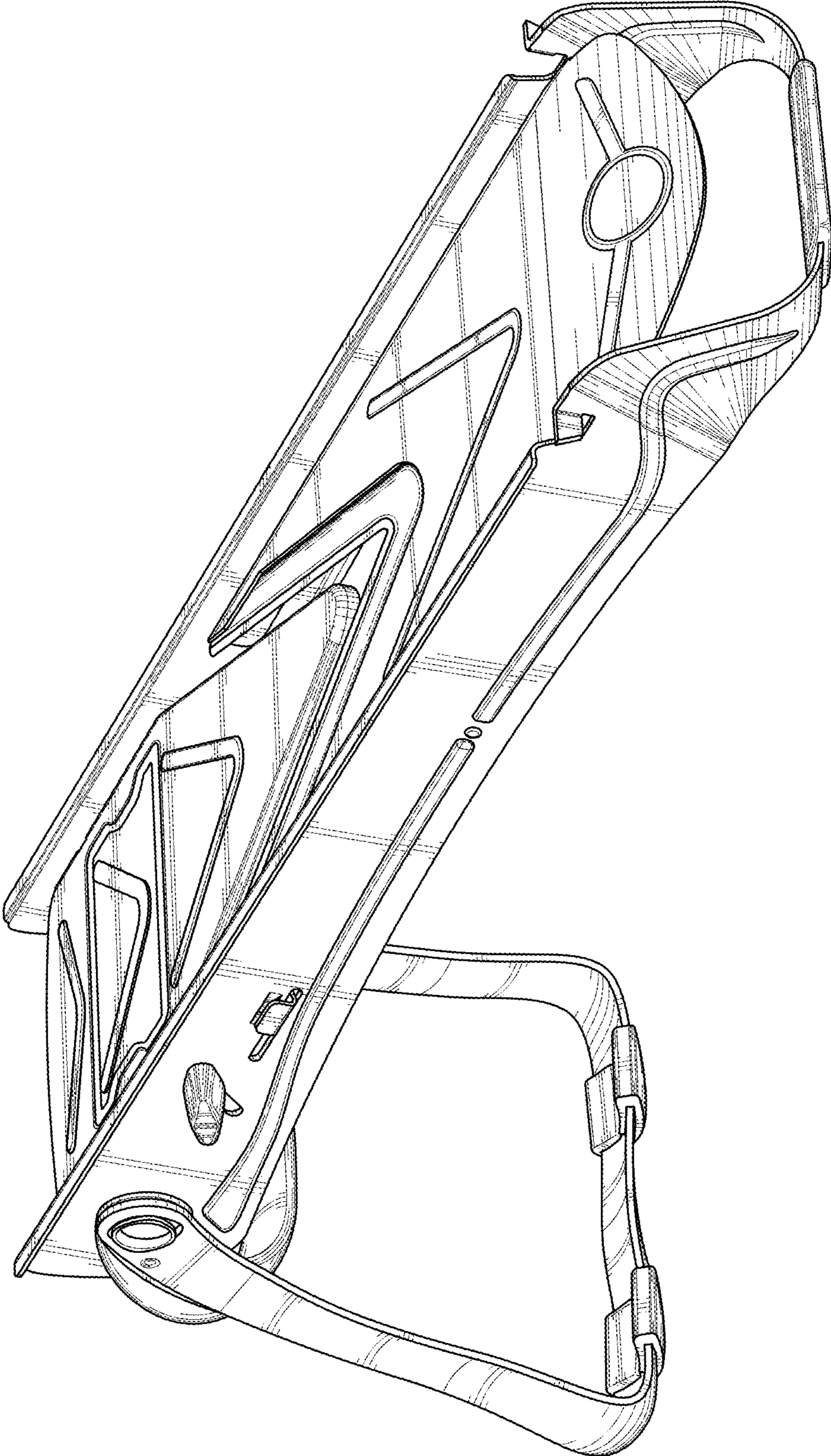


FIG. 8

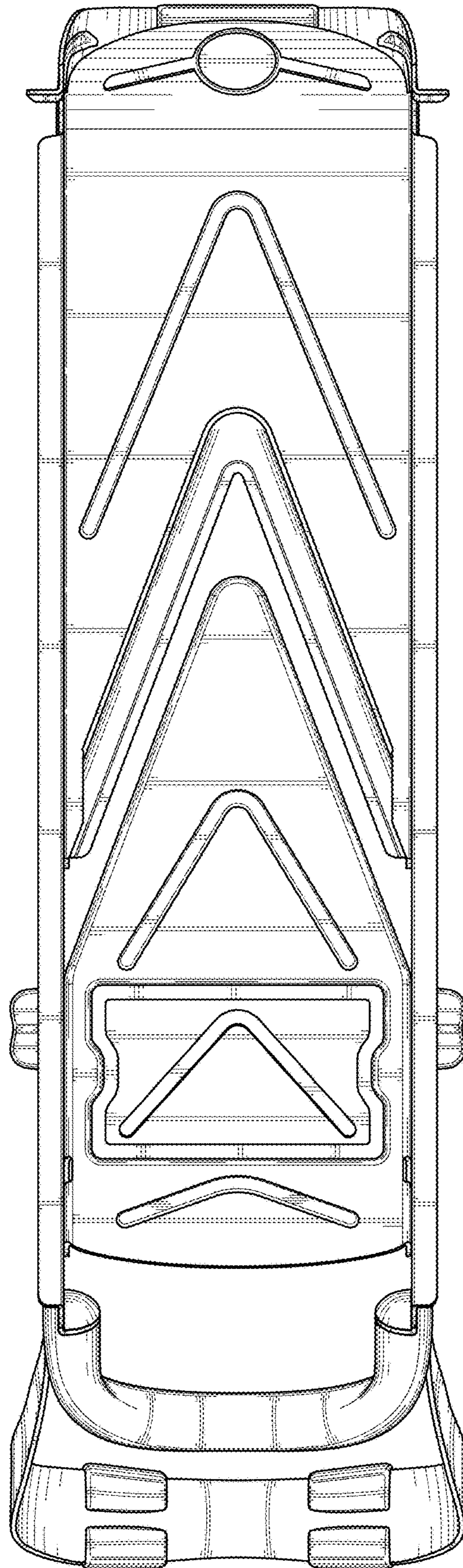


FIG. 9