



US00D793172S

(12) **United States Design Patent**  
**Medina**

(10) **Patent No.:** **US D793,172 S**

(45) **Date of Patent:** **\*\* Aug. 1, 2017**

(54) **BEVERAGE CONTAINER**

(71) Applicant: **Richard Medina**, Fort Worth, TX (US)

(72) Inventor: **Richard Medina**, Fort Worth, TX (US)

(\*\*) Term: **15 Years**

(21) Appl. No.: **29/539,209**

(22) Filed: **Sep. 11, 2015**

4,831,842 A *	5/1989	Kelley	.....	F25D 3/08
				220/903
4,986,089 A *	1/1991	Raab	.....	B65D 81/3883
				220/903
4,989,418 A *	2/1991	Hewlett	.....	B65D 81/3883
				62/372
5,259,529 A *	11/1993	Coale	.....	B65D 65/466
				220/739
D360,806 S *	8/1995	Morris	.....	D7/608
5,467,891 A *	11/1995	Perry	.....	B65D 81/3886
				220/62.11
D442,833 S *	5/2001	Shuman	.....	D7/608
6,240,741 B1	6/2001	Dozhier		

(Continued)

**Related U.S. Application Data**

(63) Continuation of application No. 13/762,797, filed on Feb. 8, 2013, now abandoned.

(51) **LOC (10) Cl.** ..... **07-06**

(52) **U.S. Cl.**  
USPC ..... **D7/624.2**

(58) **Field of Classification Search**  
USPC ..... D7/619.1-625, 605-608; D9/455  
CPC . F17C 13/001; F25D 3/08; F25D 3/14; B65D  
81/3883; B65D 81/3881; B65D 81/3886;  
B65D 81/3872; A47G 23/0241; A47G  
23/0266; A47G 19/2288  
See application file for complete search history.

(56) **References Cited**

**U.S. PATENT DOCUMENTS**

3,302,427 A	2/1967	Stoner et al.	
4,163,374 A *	8/1979	Moore	..... B65D 81/3883
			220/592.01
4,183,226 A *	1/1980	Moore	..... B65D 81/3883
			220/903
4,311,022 A	1/1982	Hall	
4,324,111 A *	4/1982	Edwards	..... B65D 81/3872
			53/410
4,344,303 A *	8/1982	Kelly, Jr.	..... A61F 7/10
			215/12.1
4,399,668 A *	8/1983	Williamson	..... B65D 81/3883
			215/12.1

*Primary Examiner* — Terry Wallace

(74) *Attorney, Agent, or Firm* — Robert C. Montgomery;  
Montgomery Patent & Design

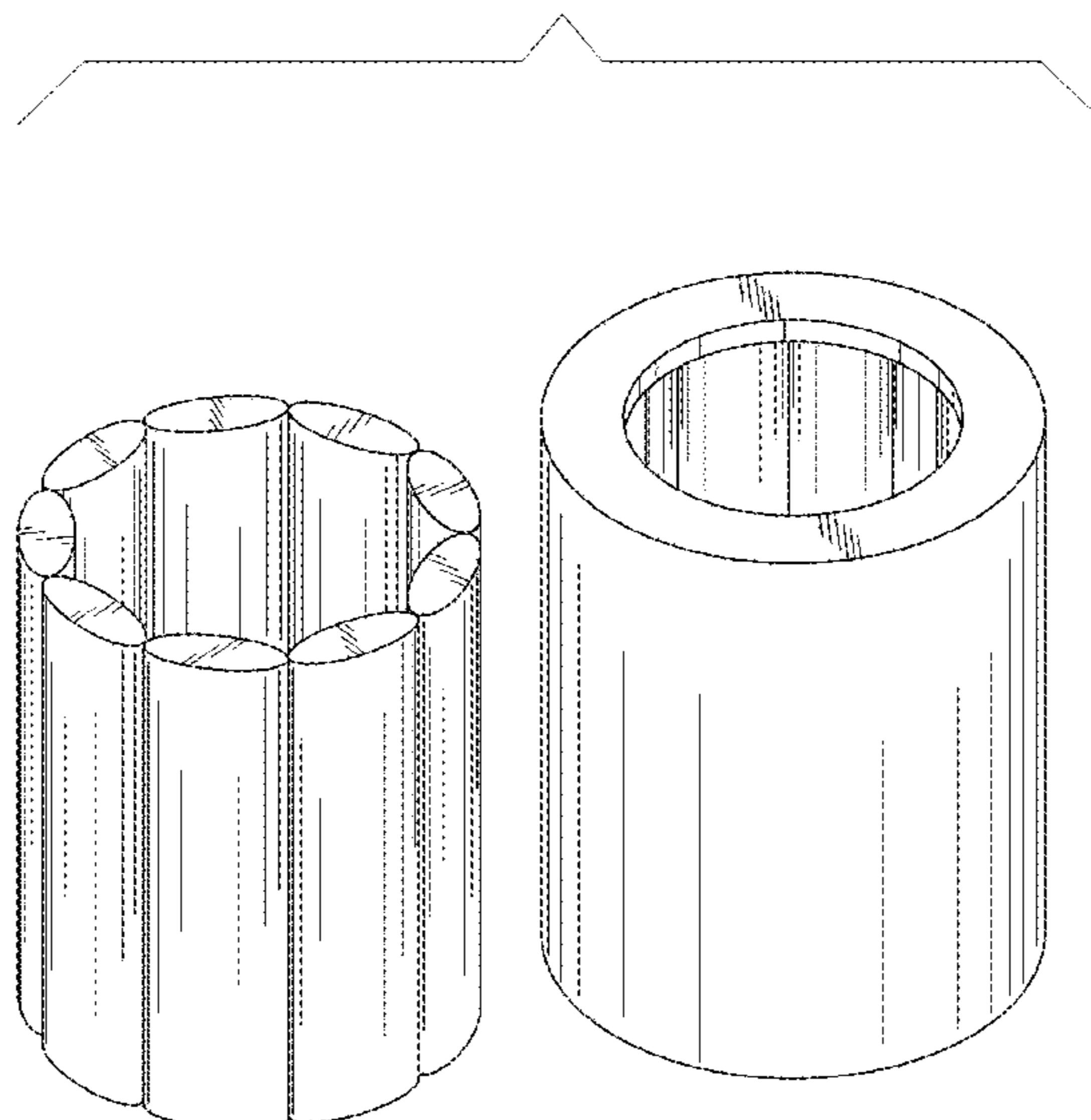
(57) **CLAIM**

The ornamental design for a beverage container, as shown and described.

**DESCRIPTION**

FIG. 1 is a perspective front side assembled view of the beverage container, showing my new design;  
 FIG. 2 is a perspective front side view showing the disassembled beverage container into an interior element and an exterior element;  
 FIG. 3 is a front side view of the exterior element with the rear side view, right side view, and left side view being a mirror image thereof;  
 FIG. 4 is a top side view of the exterior element;  
 FIG. 5 is a bottom side view of the exterior element;  
 FIG. 6 is a front side view of the interior element;  
 FIG. 7 is a rear side view of the interior element;  
 FIG. 8 is a right side view of the interior element;  
 FIG. 9 is a left side view of the interior element; and,  
 FIG. 10 is a top side view of the interior element with the bottom side view being a mirror image thereof.

**1 Claim, 10 Drawing Sheets**



(56)

**References Cited**

U.S. PATENT DOCUMENTS

8,251,247 B1 \* 8/2012 Breckner ..... A47G 23/0241  
220/592.16

\* cited by examiner

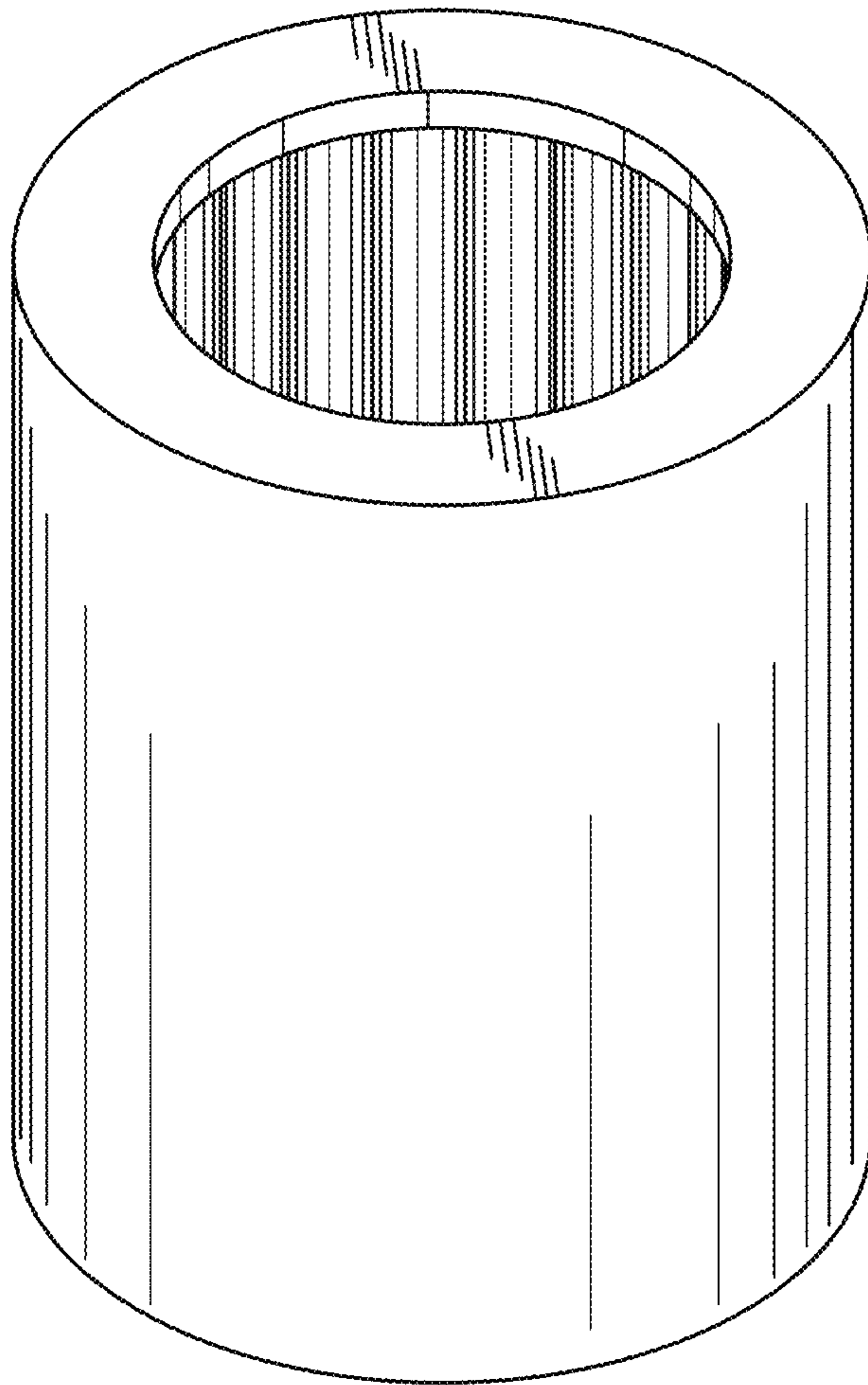


FIG. 1

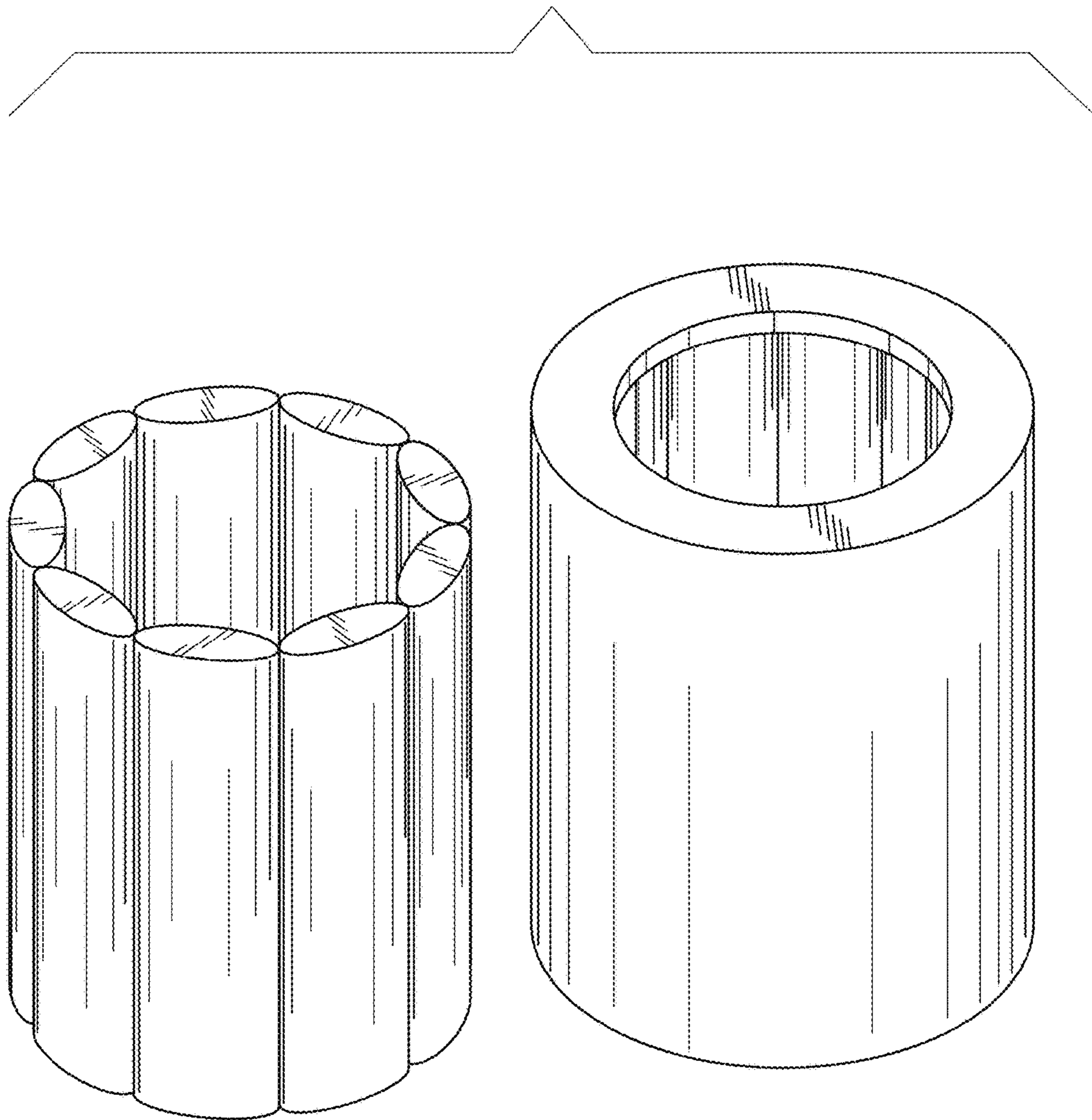


FIG. 2

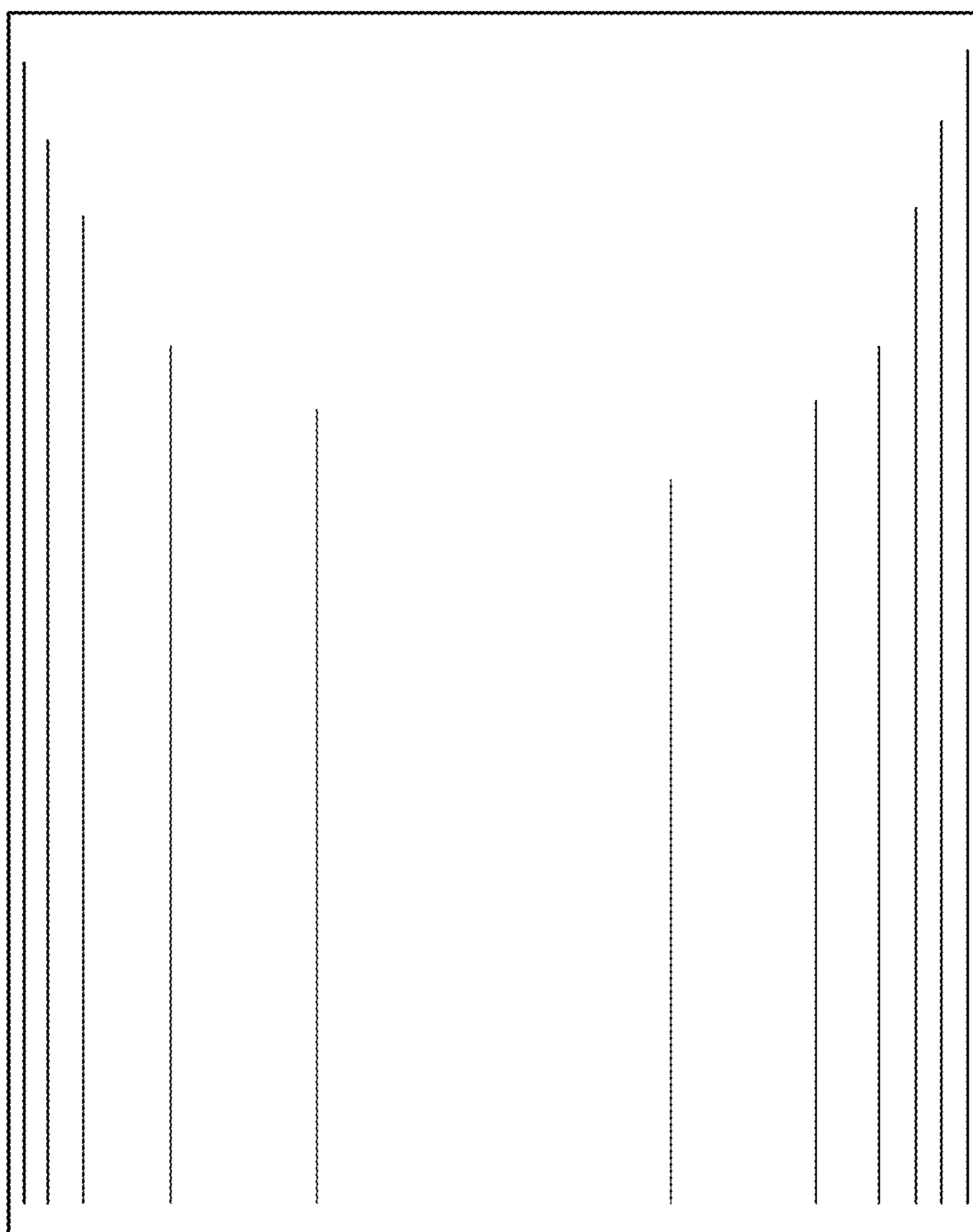


FIG. 3

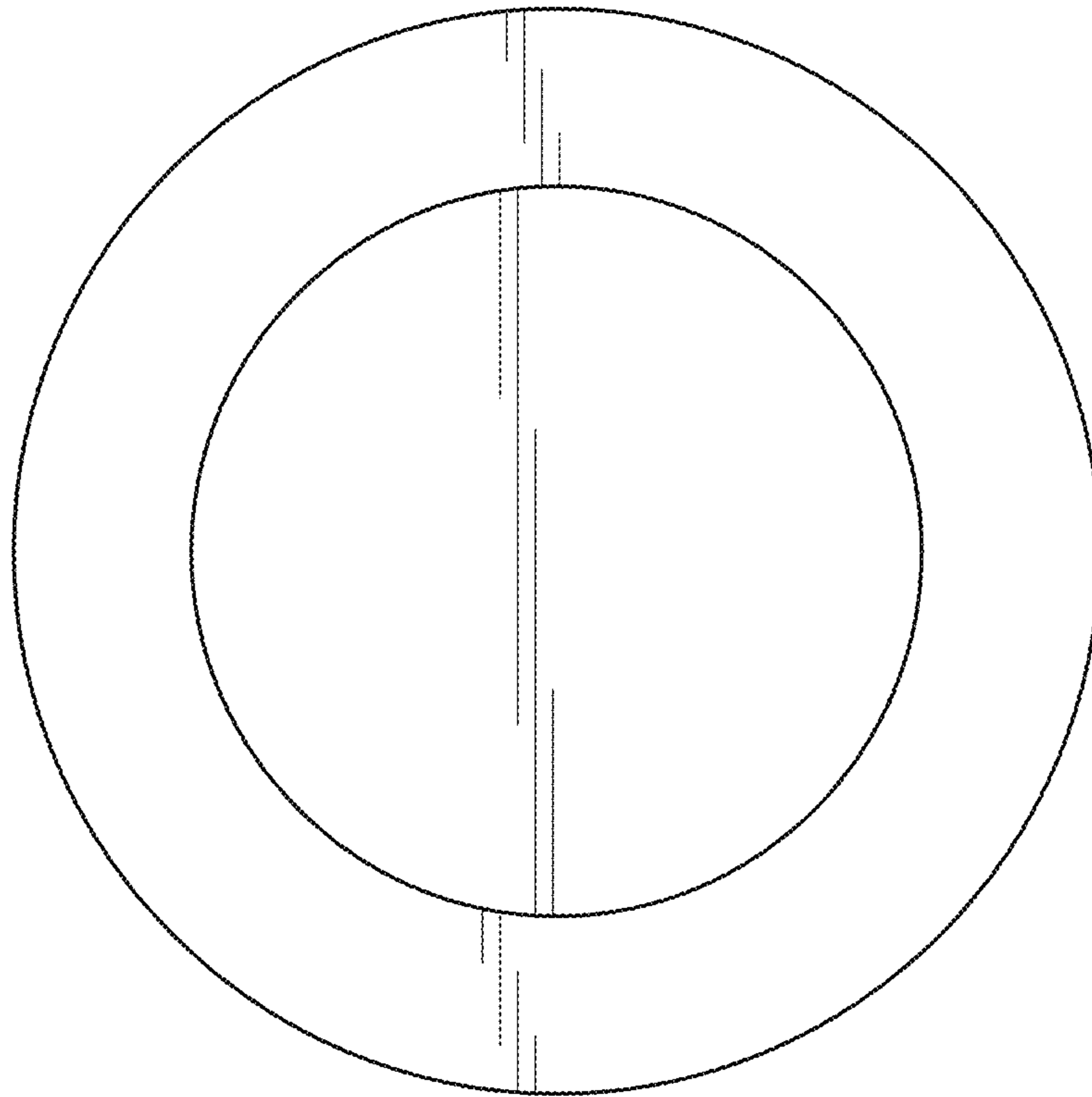


FIG. 4

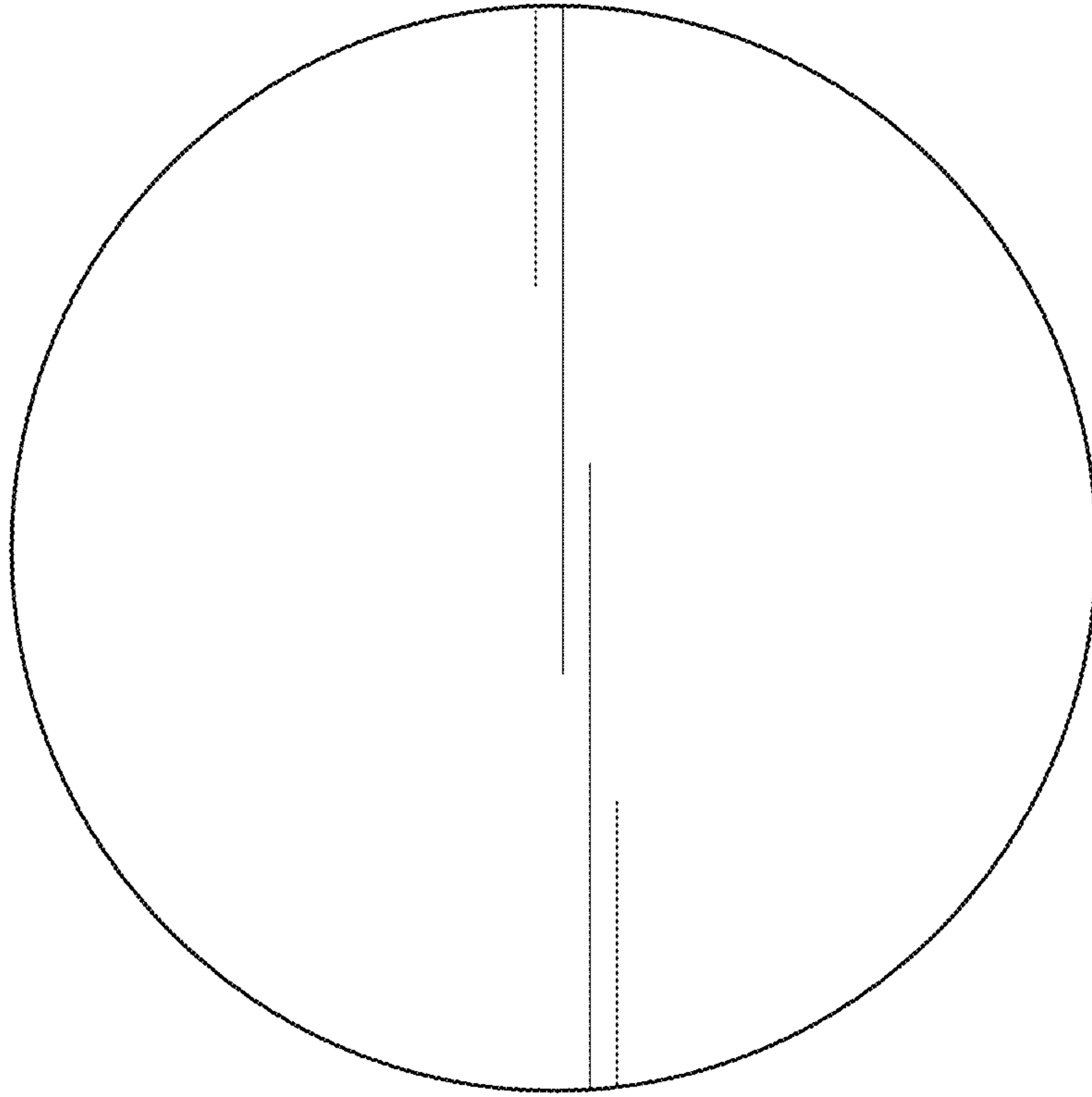


FIG. 5



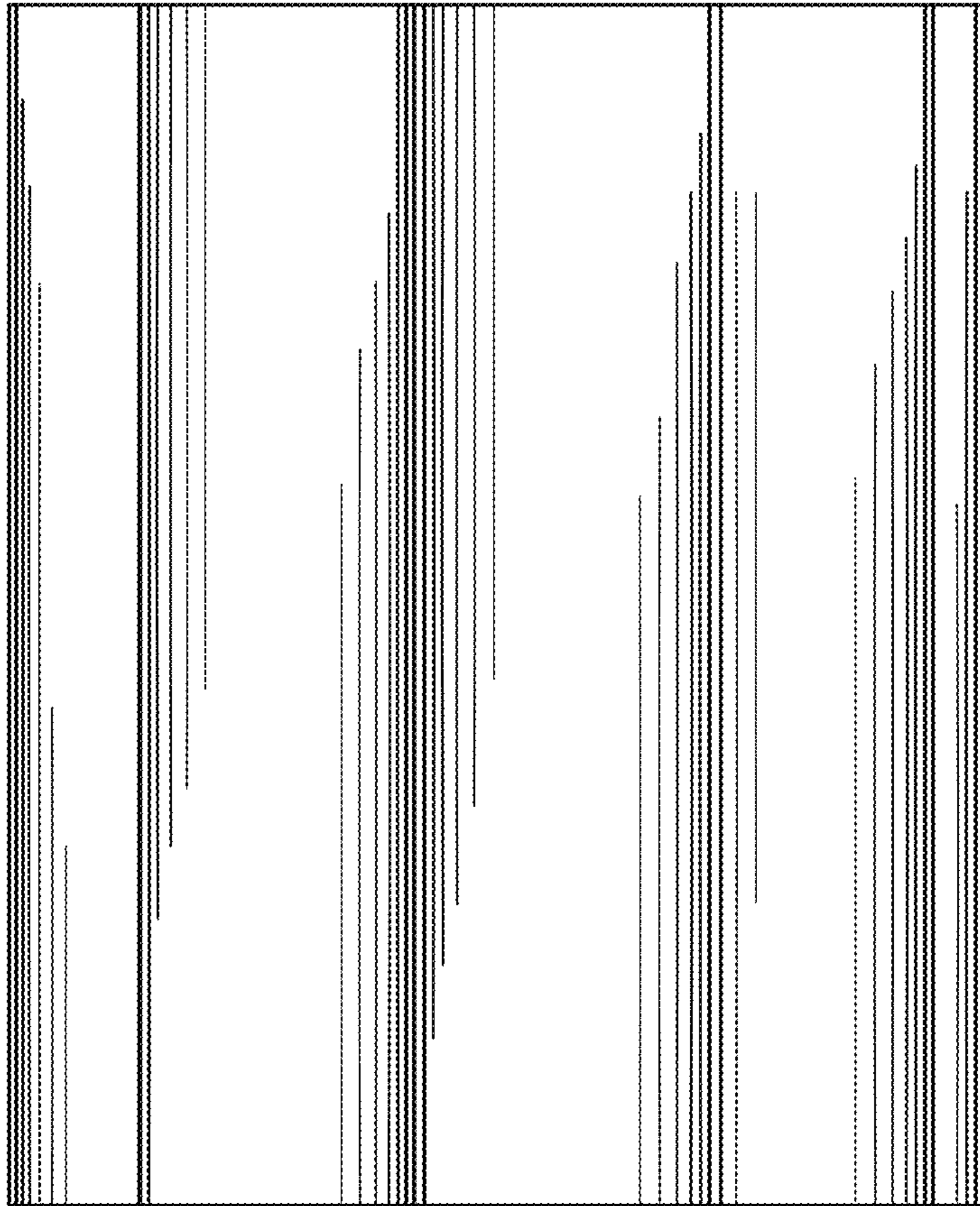


FIG. 6



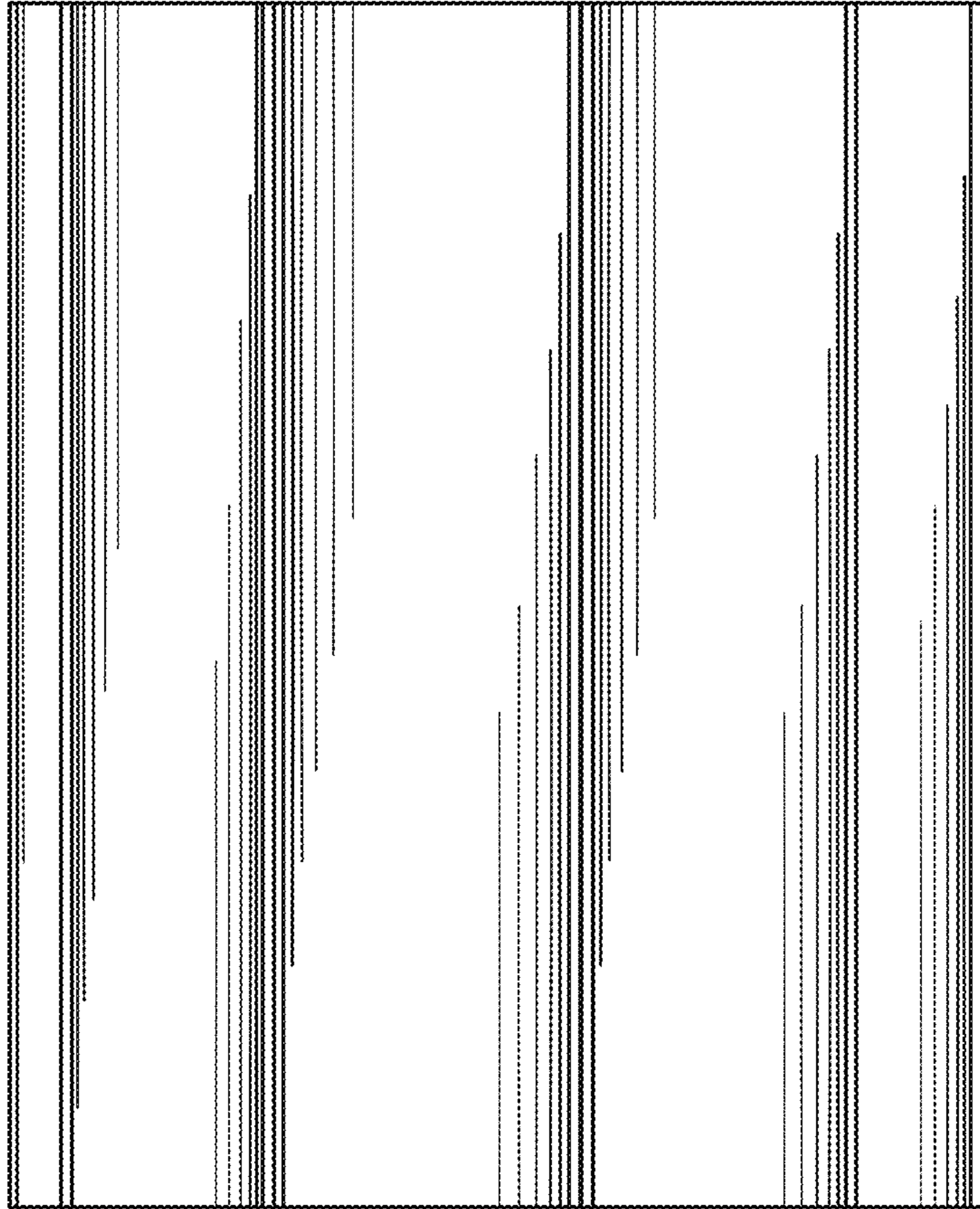


FIG. 7

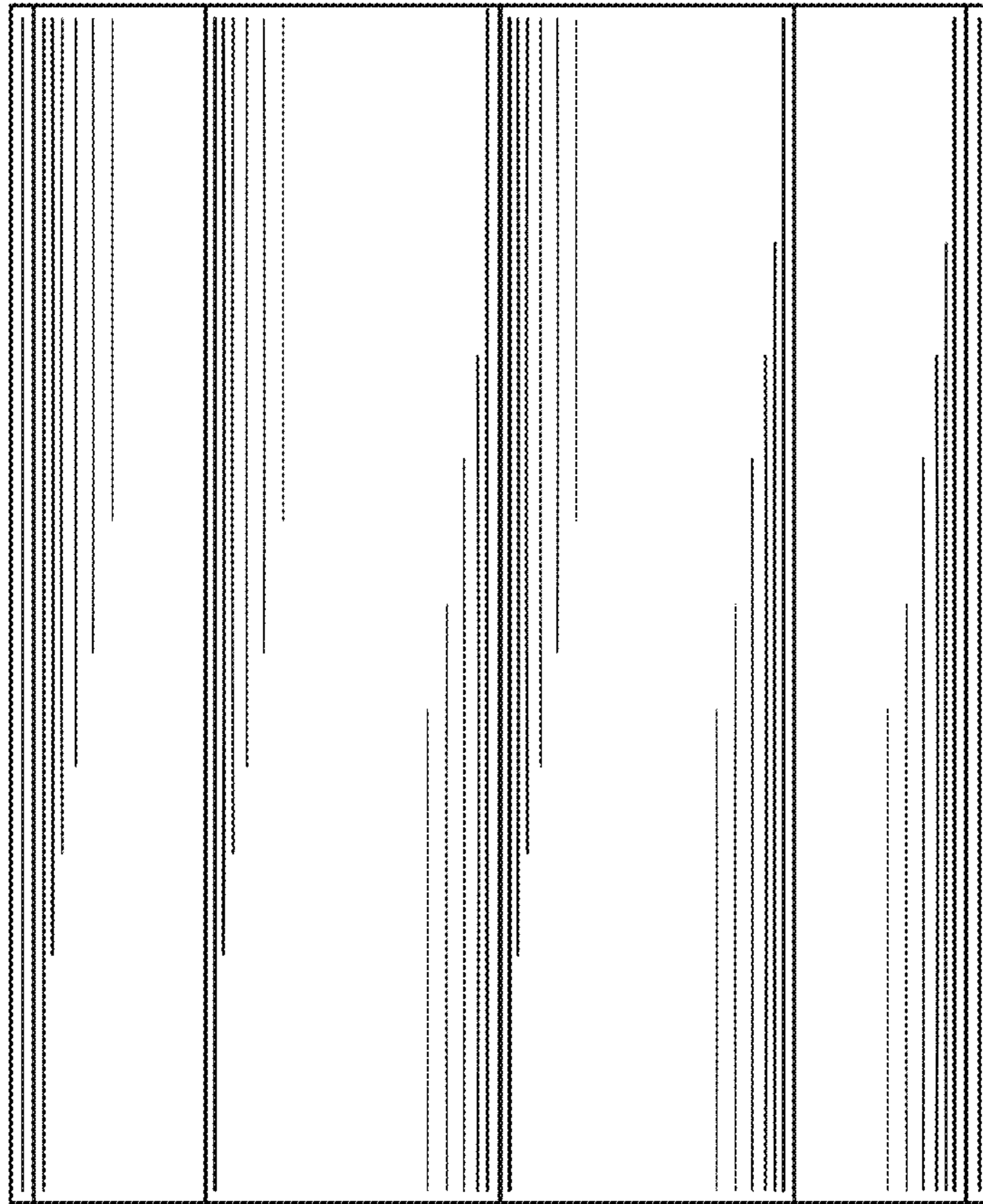


FIG. 8

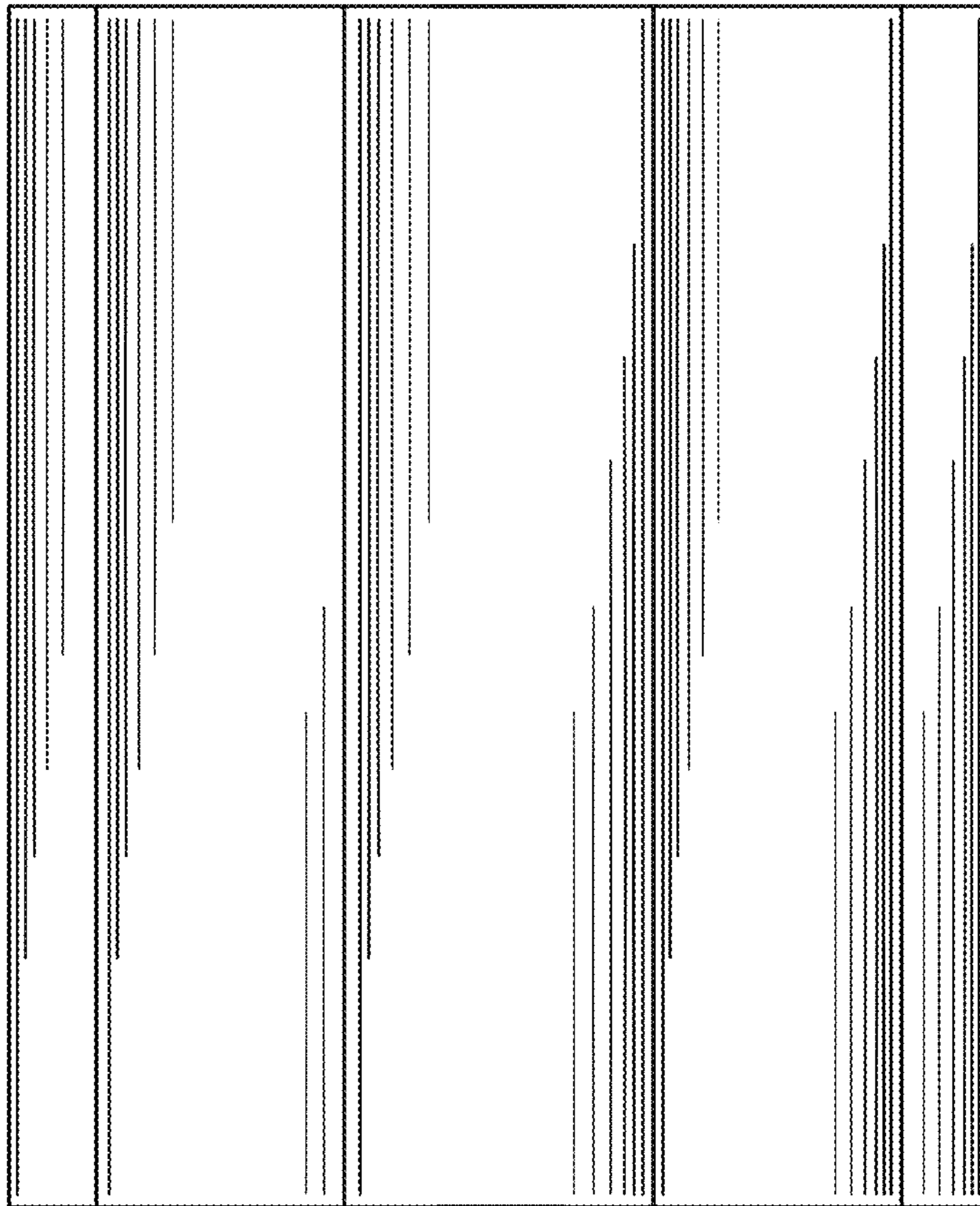


FIG. 9

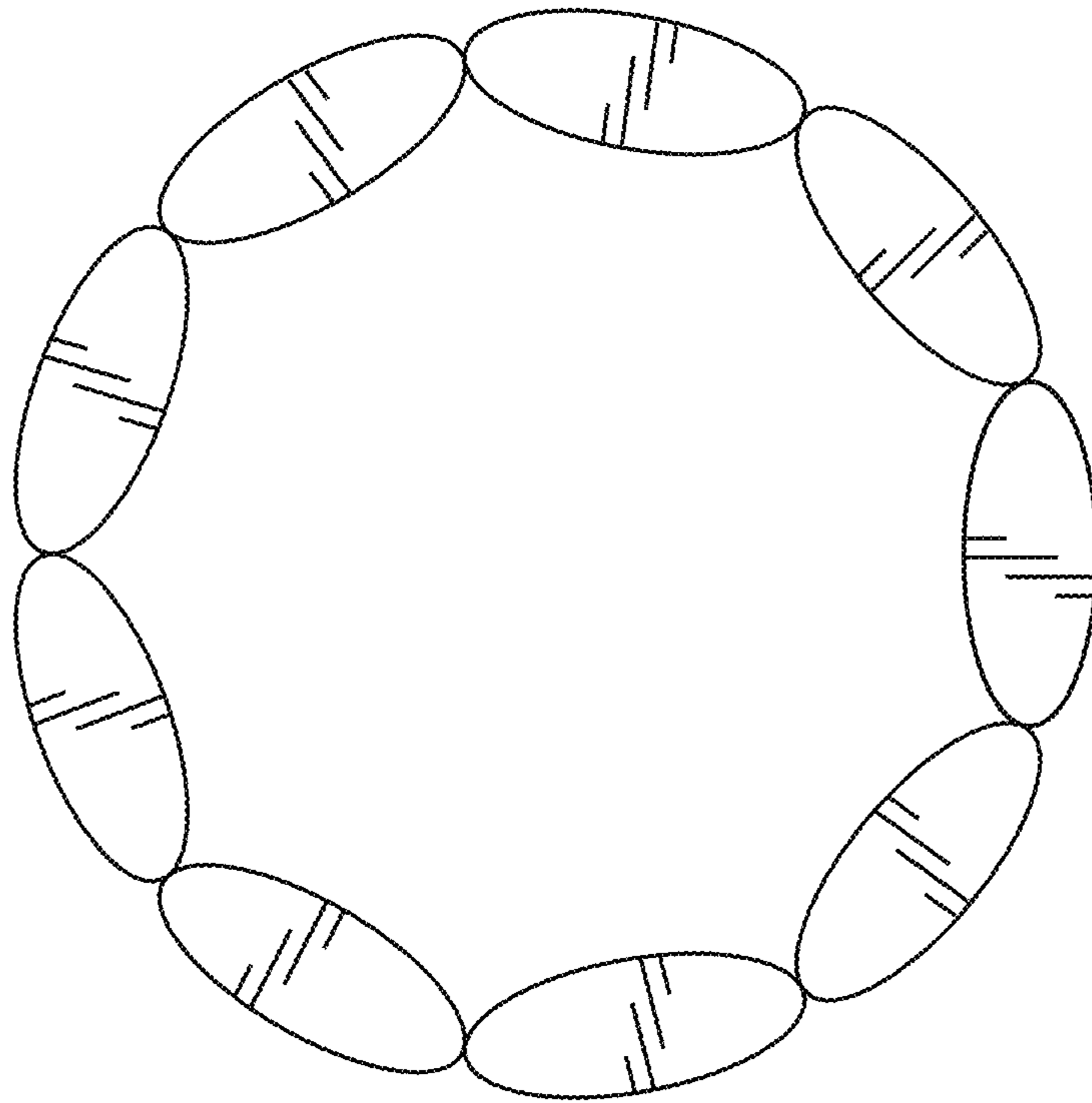


FIG. 10