



US00D793169S

(12) **United States Design Patent**  
**Hong**

(10) **Patent No.:** **US D793,169 S**

(45) **Date of Patent:** **\*\* Aug. 1, 2017**

(54) **CHILLED SERVING BOWL SET**  
(71) Applicant: **HUEY ERL CHYANG ENTERPRISE LTD., Taipei (TW)**  
(72) Inventor: **Tain-Boa Hong, Taipei (TW)**  
(73) Assignee: **HUEY ERL CHYANG ENTERPRISE LTD., Taipei (TW)**  
(\*\*) Term: **15 Years**

D569,243 S \* 5/2008 Kidd ..... D9/425  
D572,582 S \* 7/2008 Lymn ..... D9/426  
D601,382 S \* 10/2009 Ishida ..... D7/538  
D646,969 S \* 10/2011 Snedden ..... D9/425  
D689,334 S \* 9/2013 Krueger ..... D7/538

\* cited by examiner

*Primary Examiner* — Cynthia Underwood

(74) *Attorney, Agent, or Firm* — Leong C. Lei

(21) Appl. No.: **29/546,879**

(22) Filed: **Nov. 27, 2015**

(51) **LOC (10) Cl.** ..... **07-01**

(52) **U.S. Cl.**  
USPC ..... **D7/538**

(58) **Field of Classification Search**  
USPC ..... D7/538, 500, 505, 539, 543, 57, 581,  
D7/629, 540, 541, 555, 603; D9/425,  
D9/424, 428, 426, 737, 761; 220/810,  
220/270; 229/406  
CPC ..... A47G 21/001; B65D 43/162; B65D  
43/0249; B65D 43/26  
See application file for complete search history.

(56) **References Cited**

**U.S. PATENT DOCUMENTS**

D282,135 S \* 1/1986 McClelland ..... D7/360  
D567,028 S \* 4/2008 Plante ..... D7/538

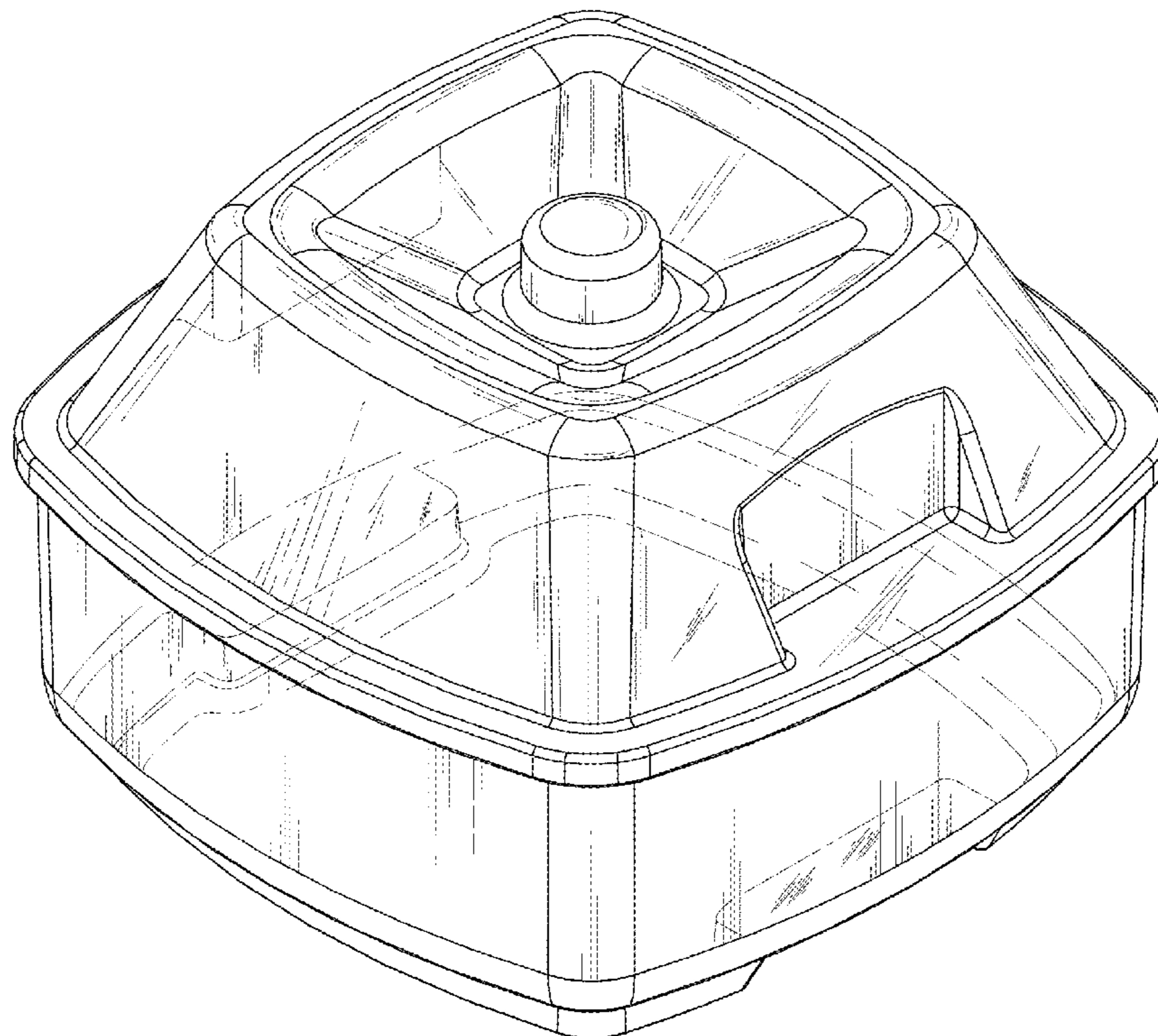
(57) **CLAIM**

The ornamental design for a chilled serving bowl set, as shown and described.

**DESCRIPTION**

FIG. 1 is a front perspective view of a chilled serving bowl set showing my new design;  
FIG. 2 is another perspective view thereof;  
FIG. 3 is a front elevational view thereof;  
FIG. 4 is a rear elevational view thereof;  
FIG. 5 is a left elevational view thereof;  
FIG. 6 is a right elevational view thereof;  
FIG. 7 is a top plan view thereof; and,  
FIG. 8 is a bottom plan view thereof.

**1 Claim, 8 Drawing Sheets**



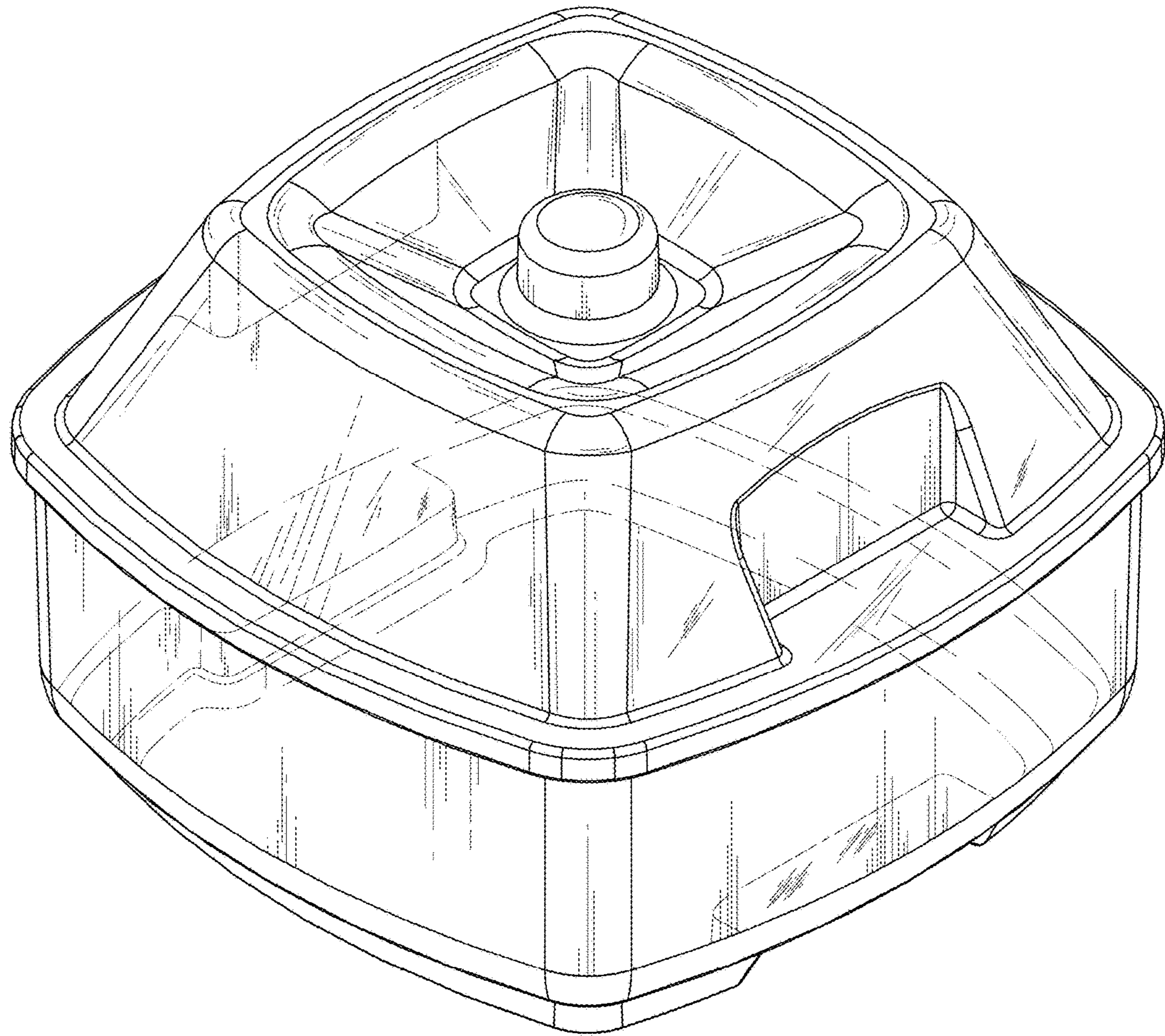


FIG. 1

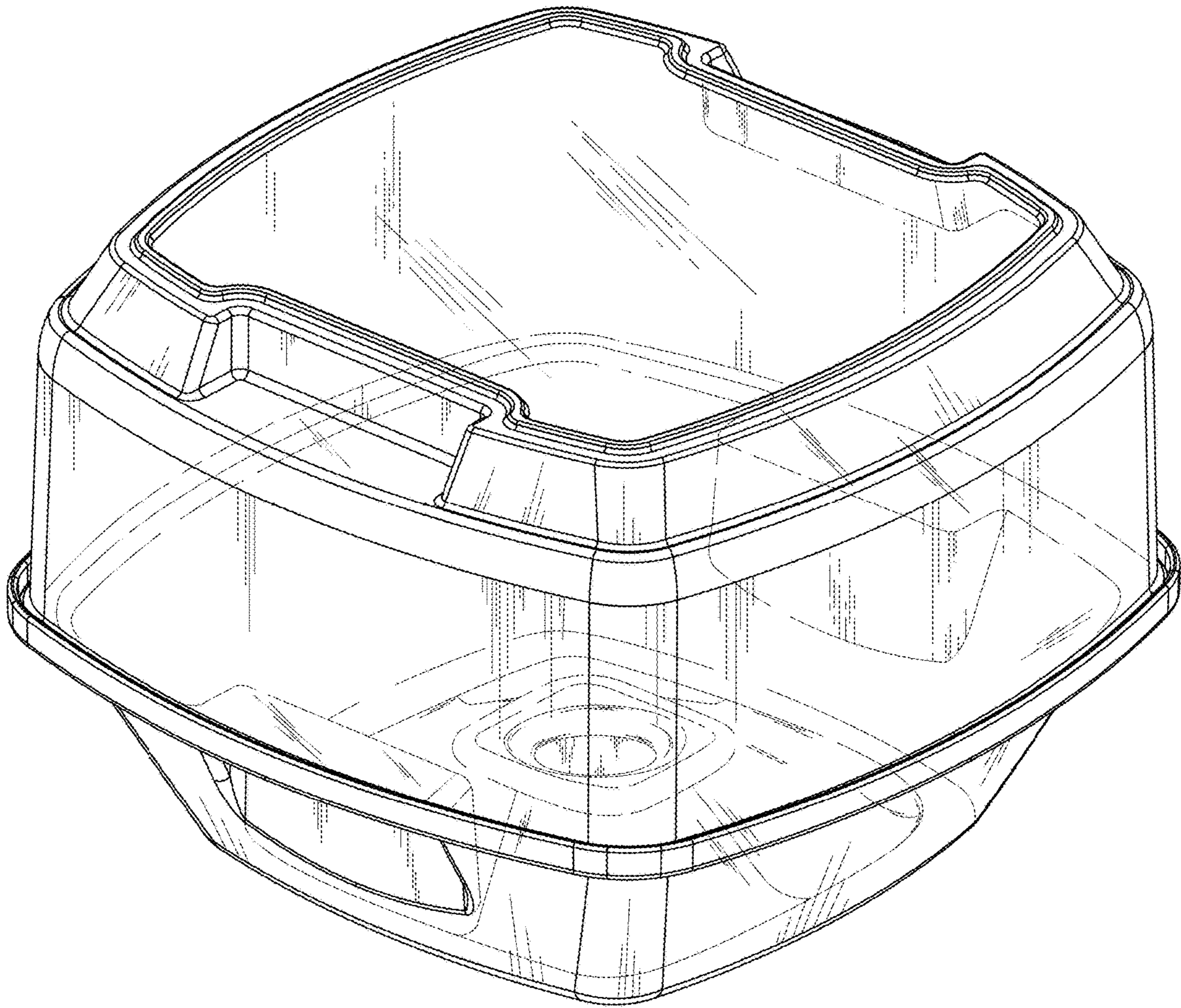


FIG. 2

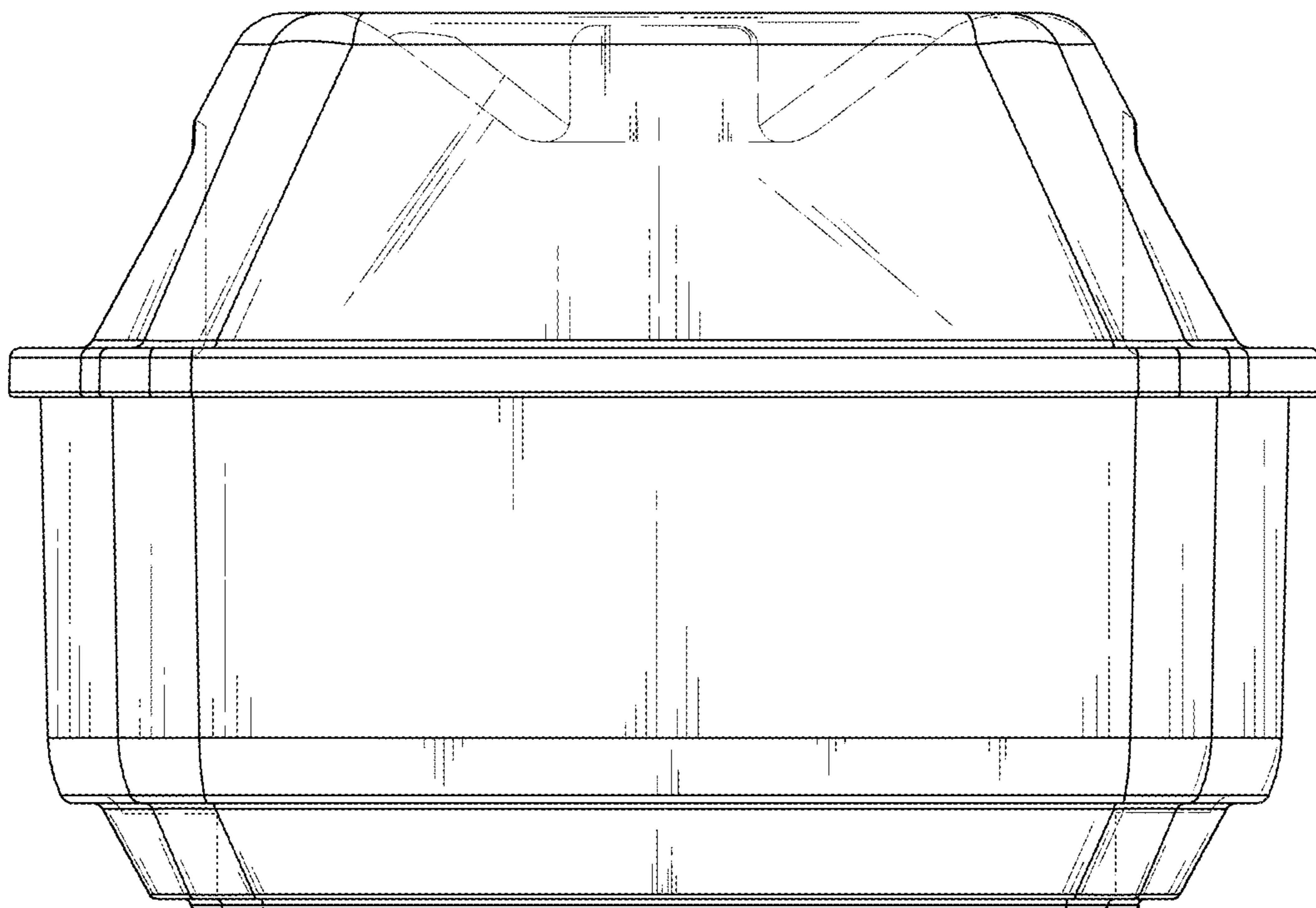


FIG. 3

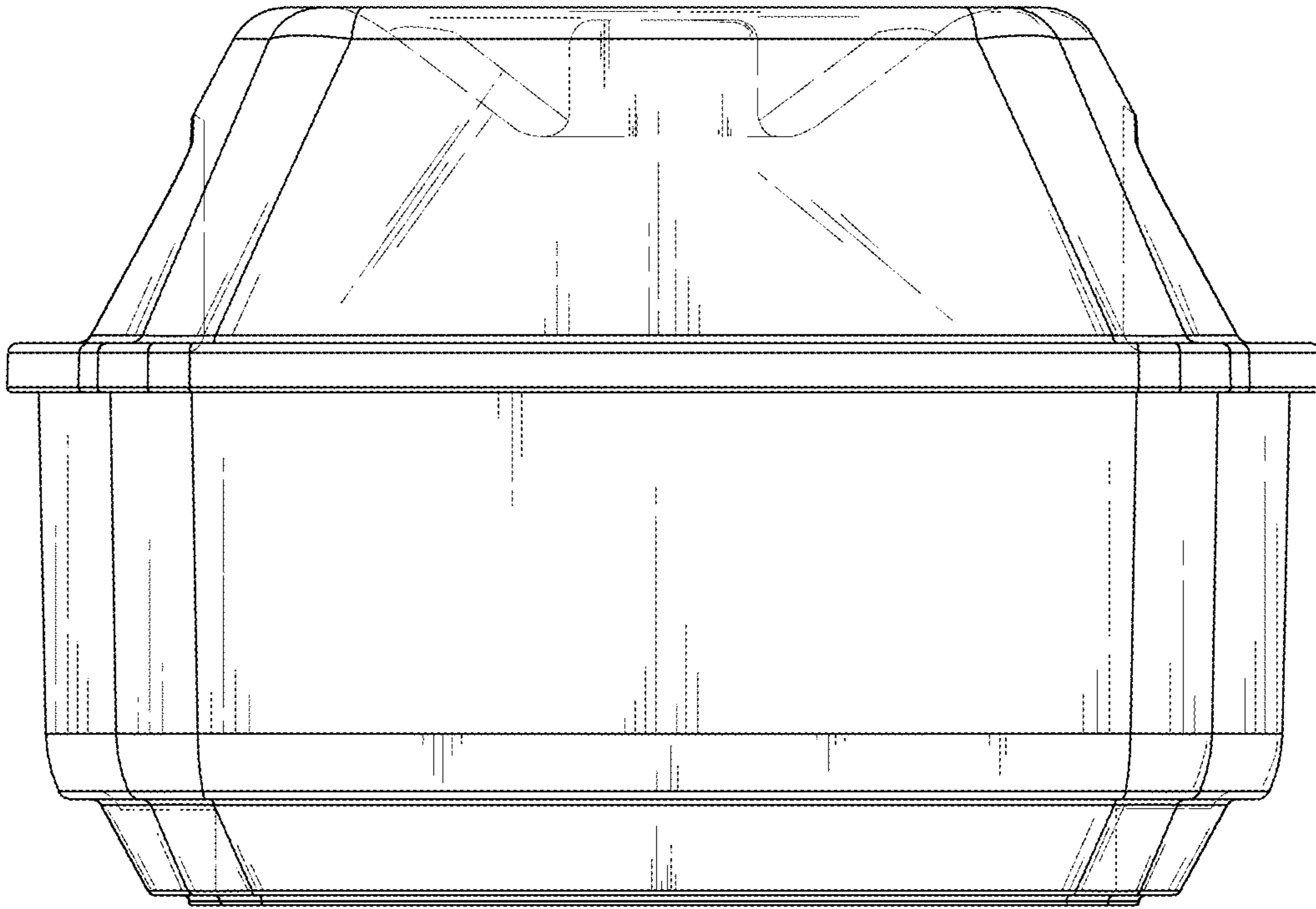


FIG. 4

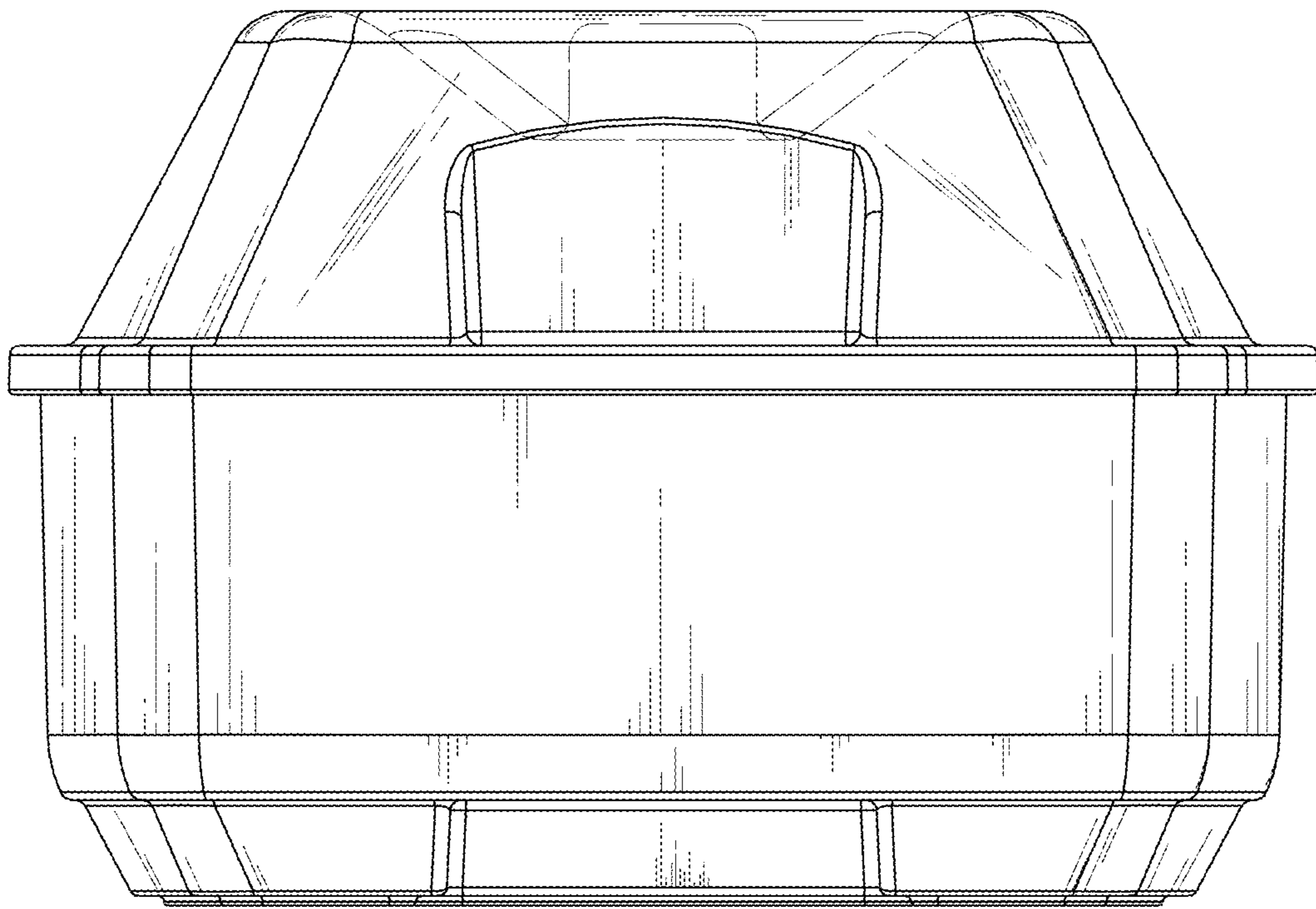


FIG. 5

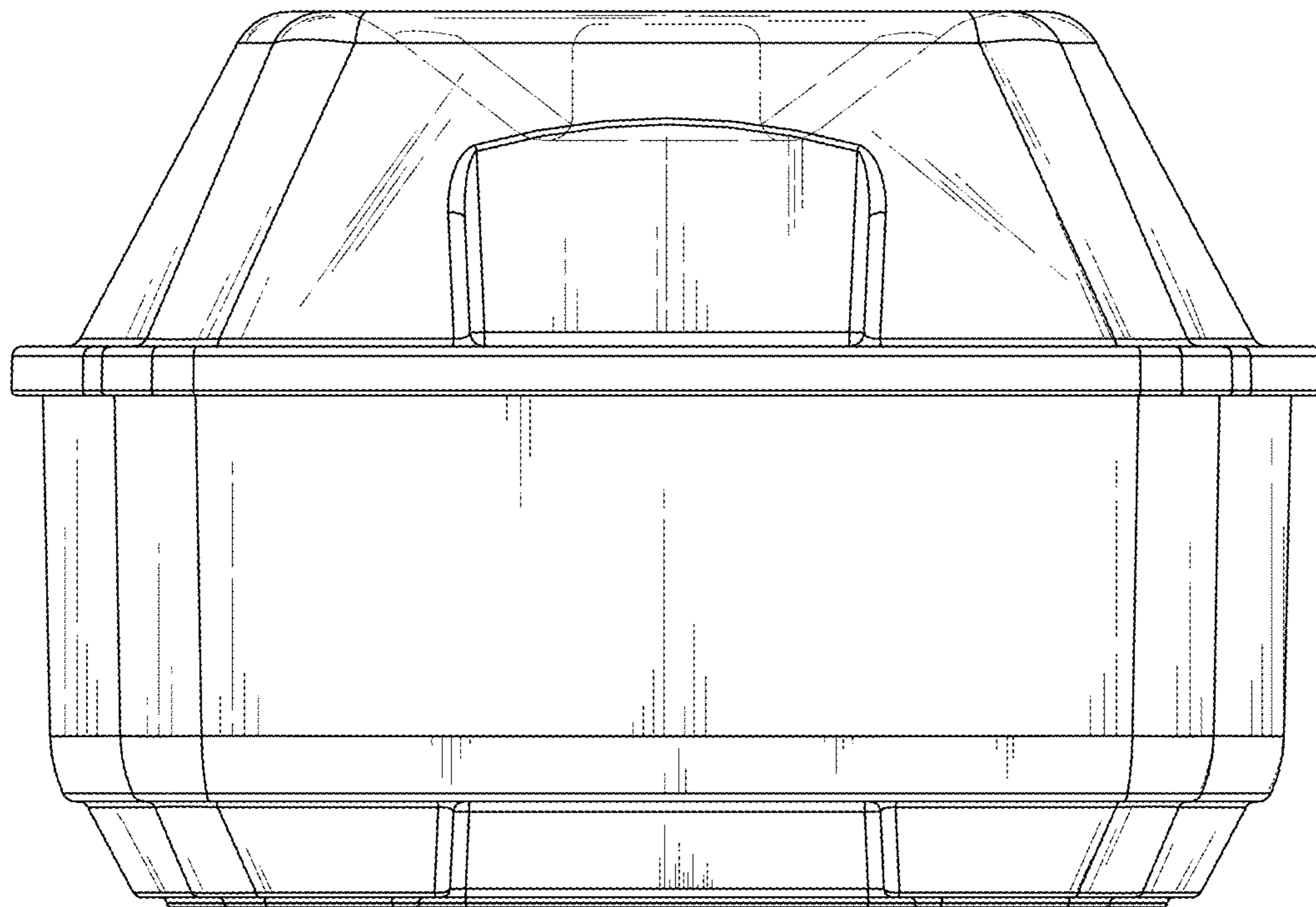


FIG. 6

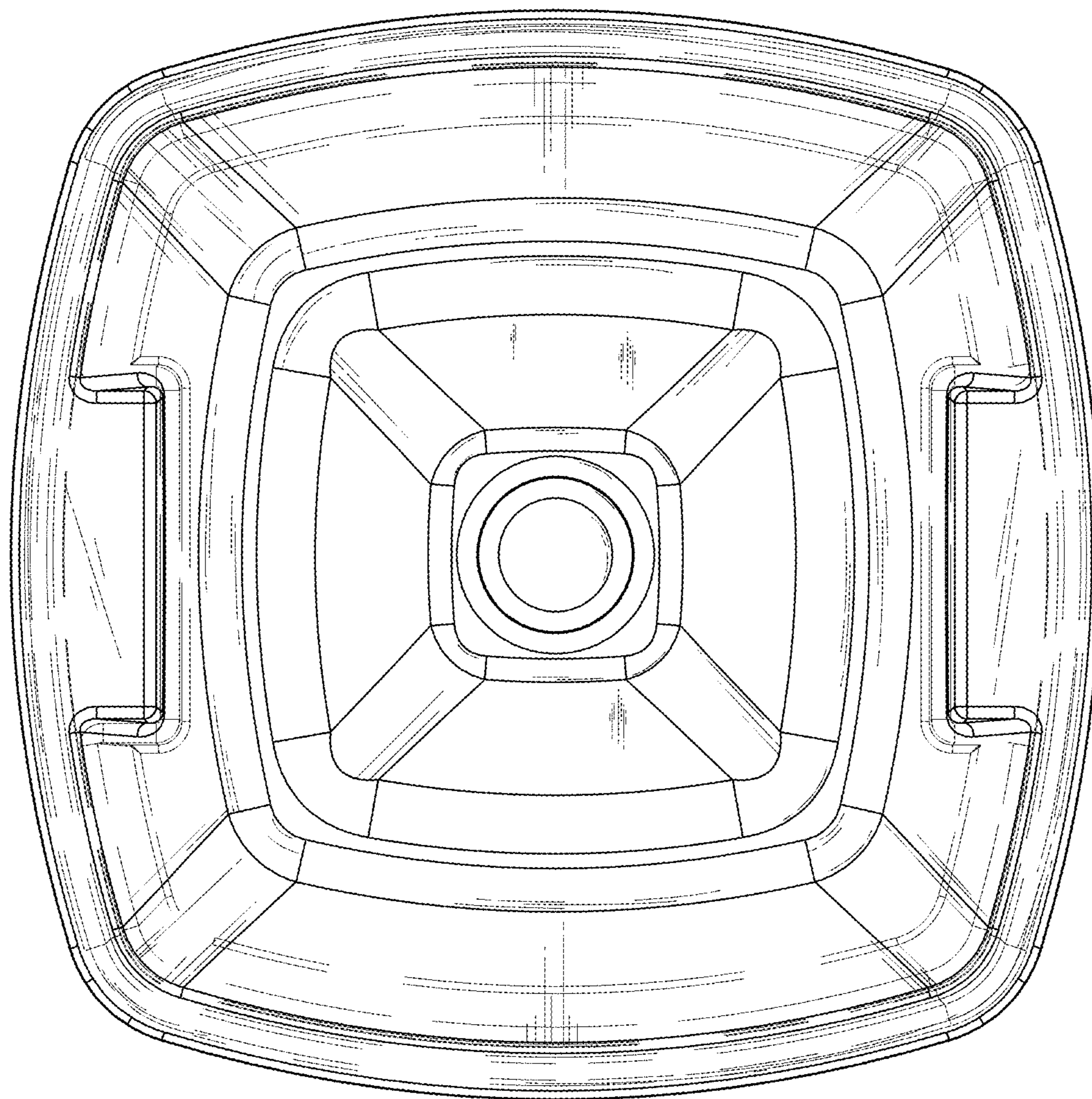


FIG. 7



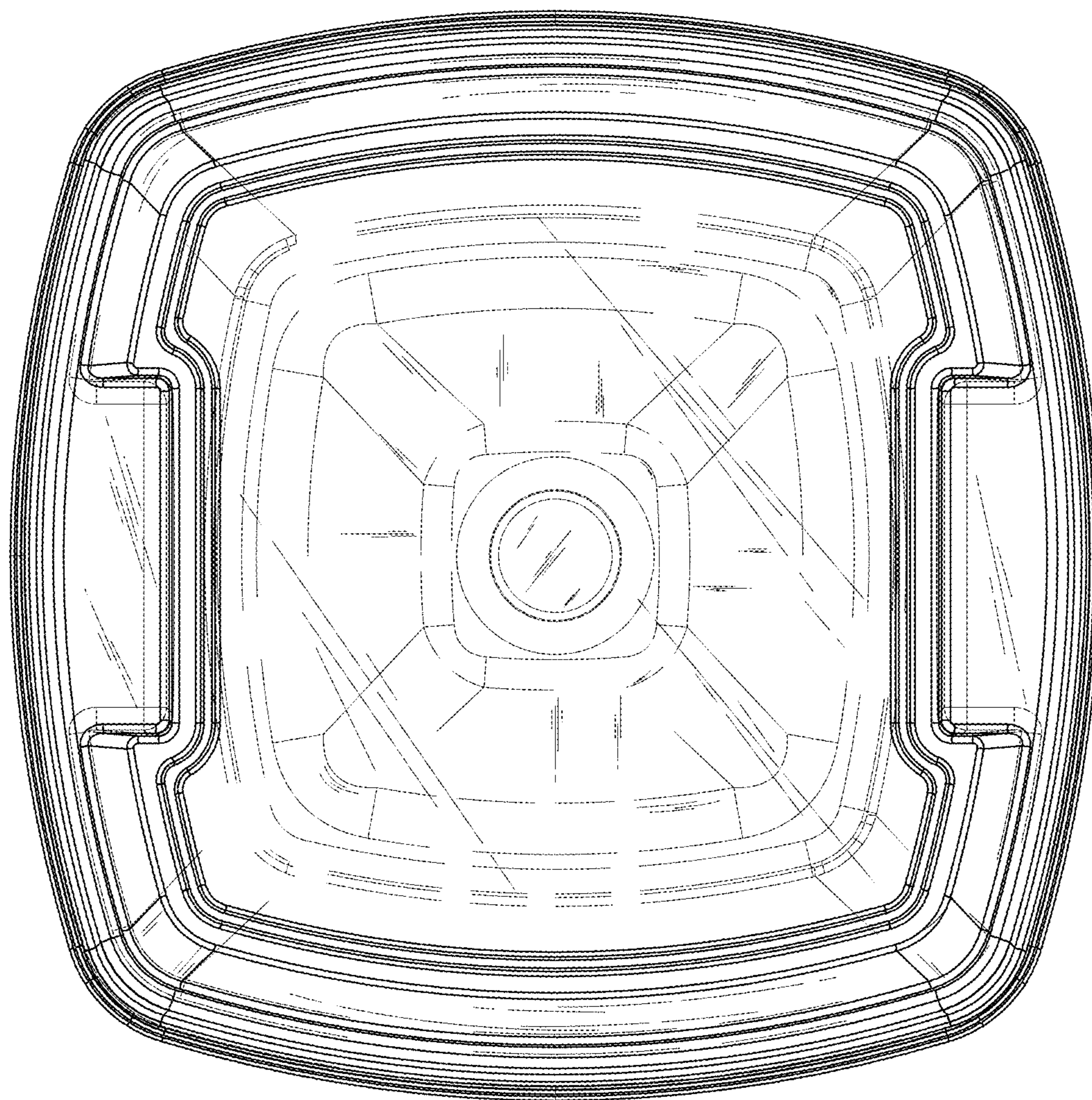


FIG. 8