



US00D793168S

(12) **United States Design Patent** (10) **Patent No.:** **US D793,168 S**  
**Prozumenshchikov** (45) **Date of Patent:** **\*\* Aug. 1, 2017**

(54) **BASIN**

(71) Applicant: **Andrey Prozumenshchikov**, Moscow region (RU)

(72) Inventor: **Andrey Prozumenshchikov**, Moscow region (RU)

(\*\*) Term: **15 Years**

(21) Appl. No.: **29/543,081**

(22) Filed: **Oct. 20, 2015**

(30) **Foreign Application Priority Data**

Sep. 30, 2015 (EM) ..... 002805044-0001

(51) **LOC (10) Cl.** ..... **07-01**

(52) **U.S. Cl.**  
USPC ..... **D7/538**

(58) **Field of Classification Search**  
USPC ..... D7/538, 500, 505, 539, 543, 57, 581,  
D7/629; D9/425, 424, 428; 220/810,  
220/270  
CPC ..... A47G 21/001; B65D 43/162; B65D  
43/0249; B65D 43/26  
See application file for complete search history.

(56) **References Cited**

**U.S. PATENT DOCUMENTS**

D301,819 S \* 6/1989 Watson ..... D7/542  
D368,626 S \* 4/1996 Hentz ..... D7/360  
D469,320 S \* 1/2003 Pettaweebuncha ..... D7/629  
D664,427 S \* 7/2012 Chen ..... D9/425

D700,483 S \* 3/2014 Yessin ..... D7/629  
D706,621 S \* 6/2014 Tuchrelo ..... D9/425  
D724,903 S \* 3/2015 Chen ..... D7/629  
2004/0118737 A1 \* 6/2004 Welsh ..... B65D 21/0233  
206/508

\* cited by examiner

*Primary Examiner* — Cynthia Underwood

(74) *Attorney, Agent, or Firm* — John Alunit

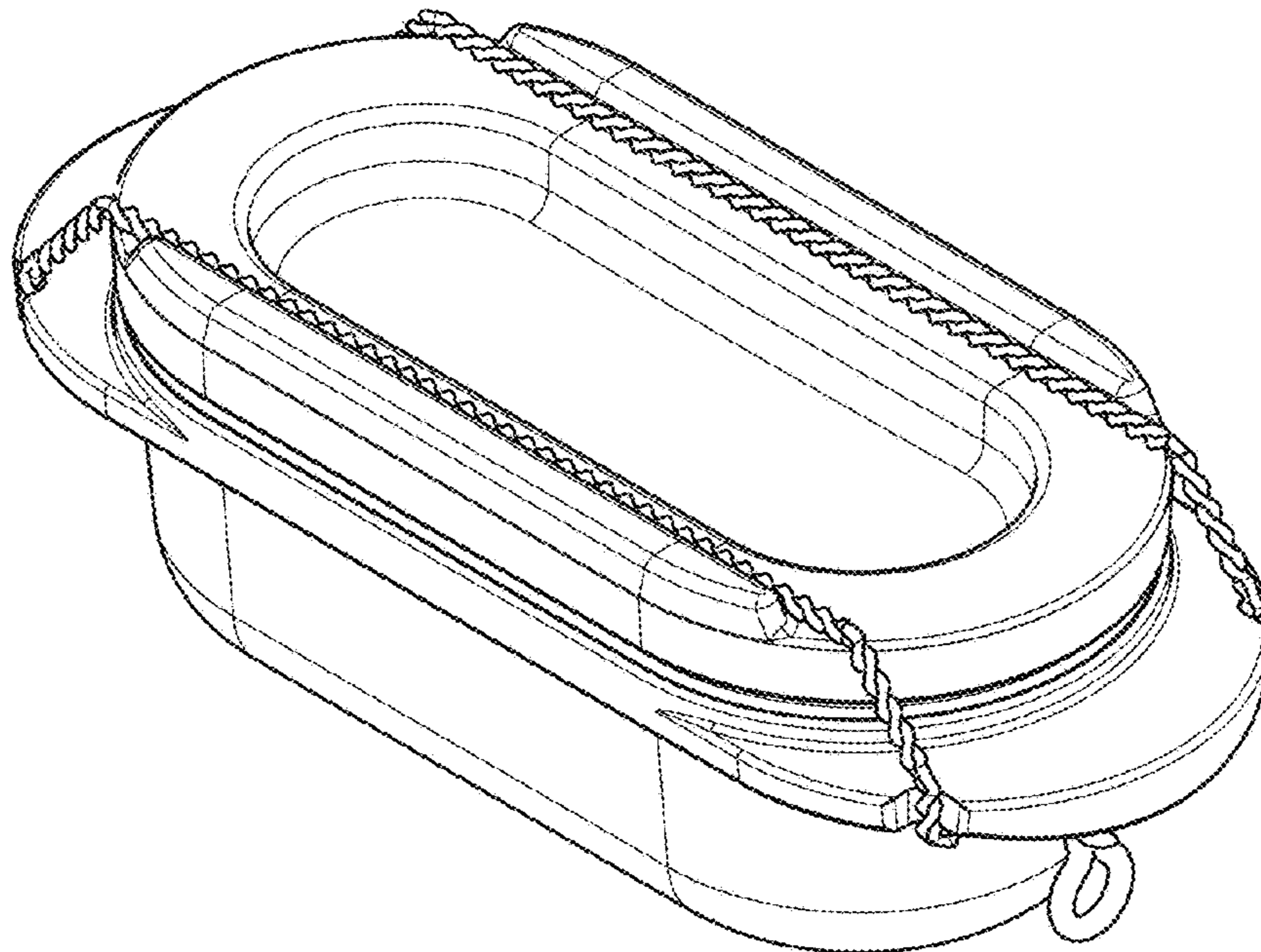
(57) **CLAIM**

The ornamental design for a basin, as shown and described.

**DESCRIPTION**

FIG. 1 is a perspective view of a basin from the front according to the present invention.  
FIG. 2 is a perspective view of the basin from the rear according to the present invention.  
FIG. 3 is a bottom perspective view of the basin from the front according to the present invention.  
FIG. 4 is a bottom perspective view of the basin from the rear according to the present invention.  
FIG. 5 is a front view of the basin according to the present invention, shown enlarged.  
FIG. 6 is a rear view of the basin according to the present invention, shown enlarged.  
FIG. 7 is a side view of the basin according to the present invention. The other side view is the same.  
FIG. 8 is a bottom view of the basin according to the present invention; and,  
FIG. 9 is a top view of the basin according to the present invention.

**1 Claim, 9 Drawing Sheets**



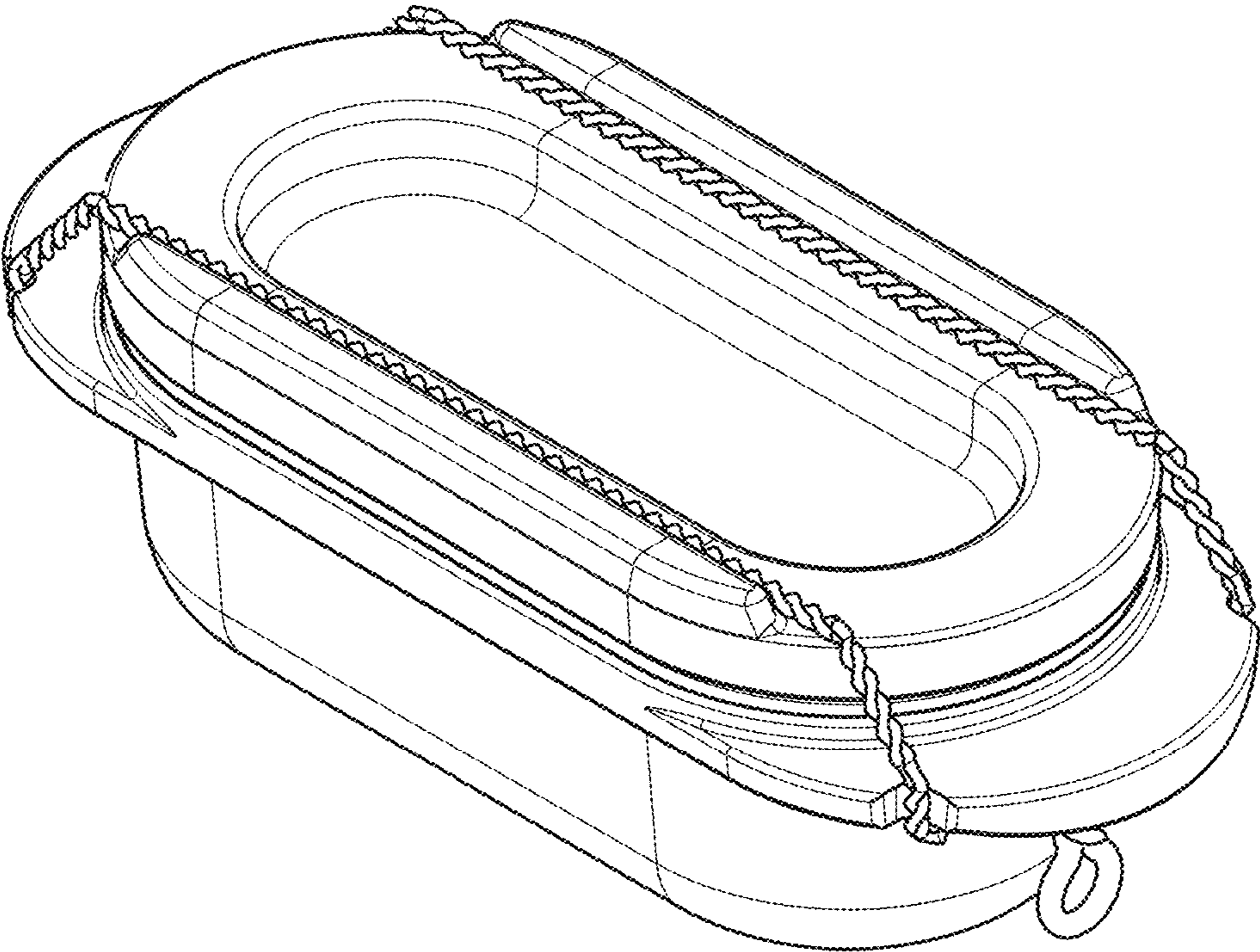


FIG. 1

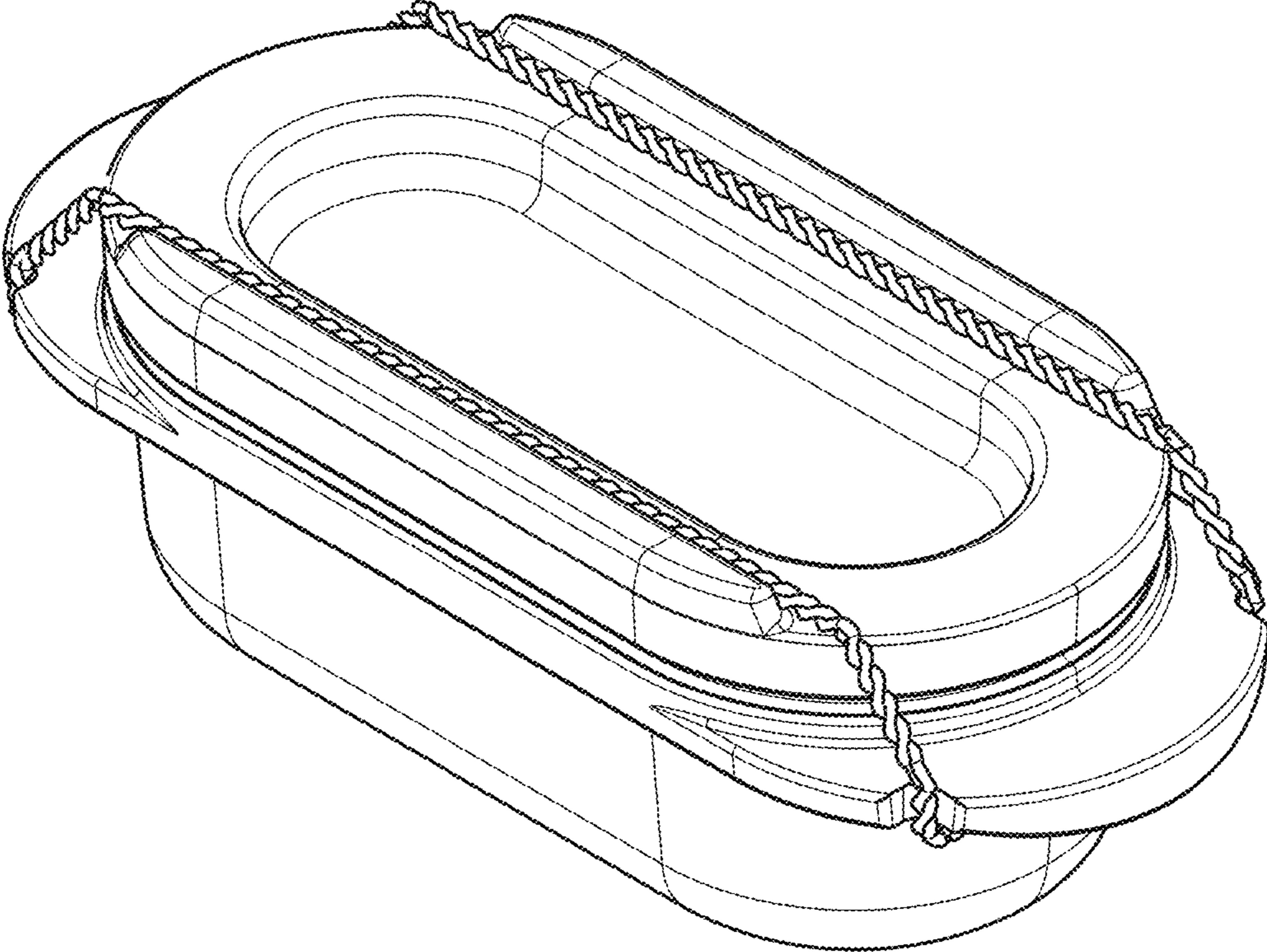


FIG. 2



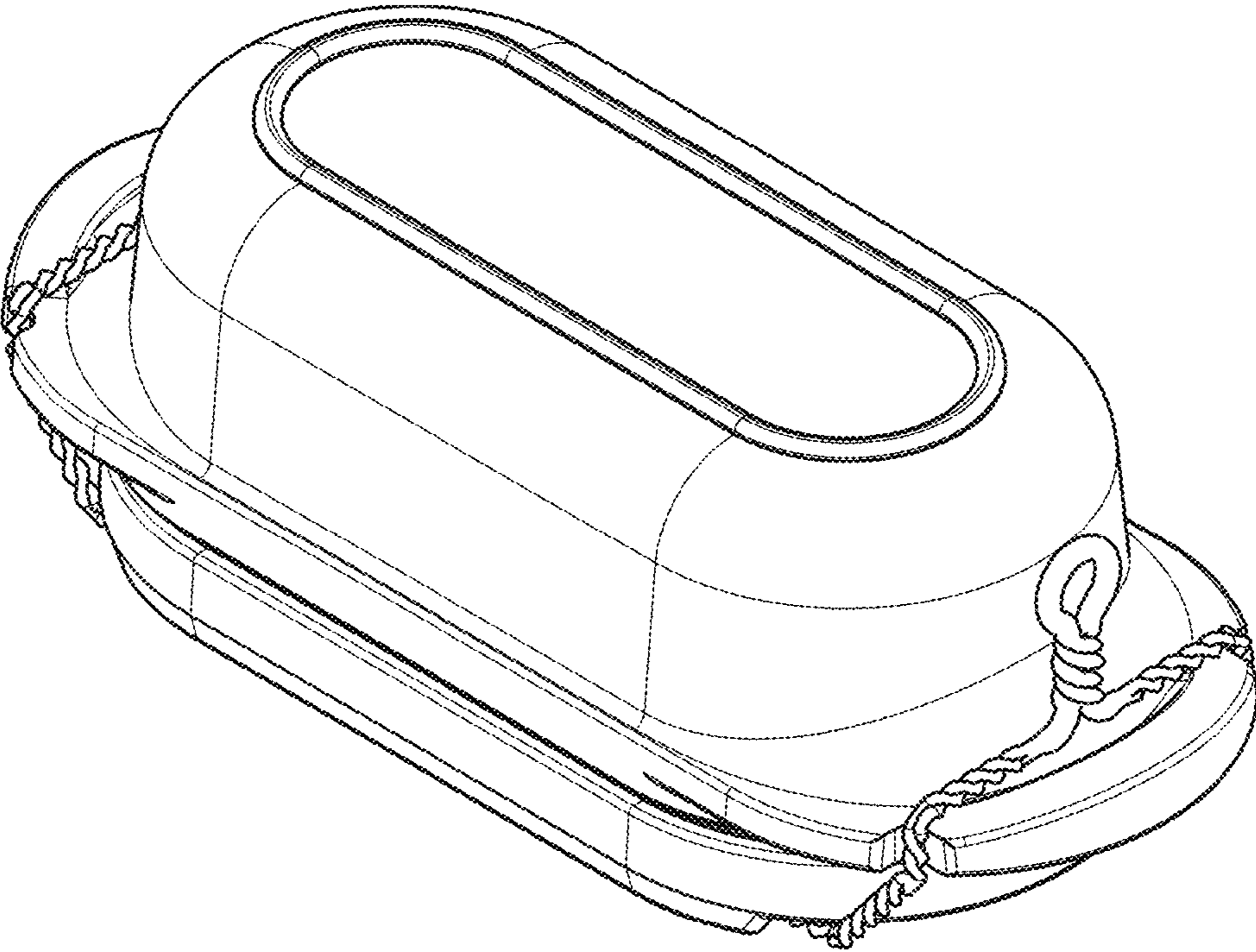


FIG. 3

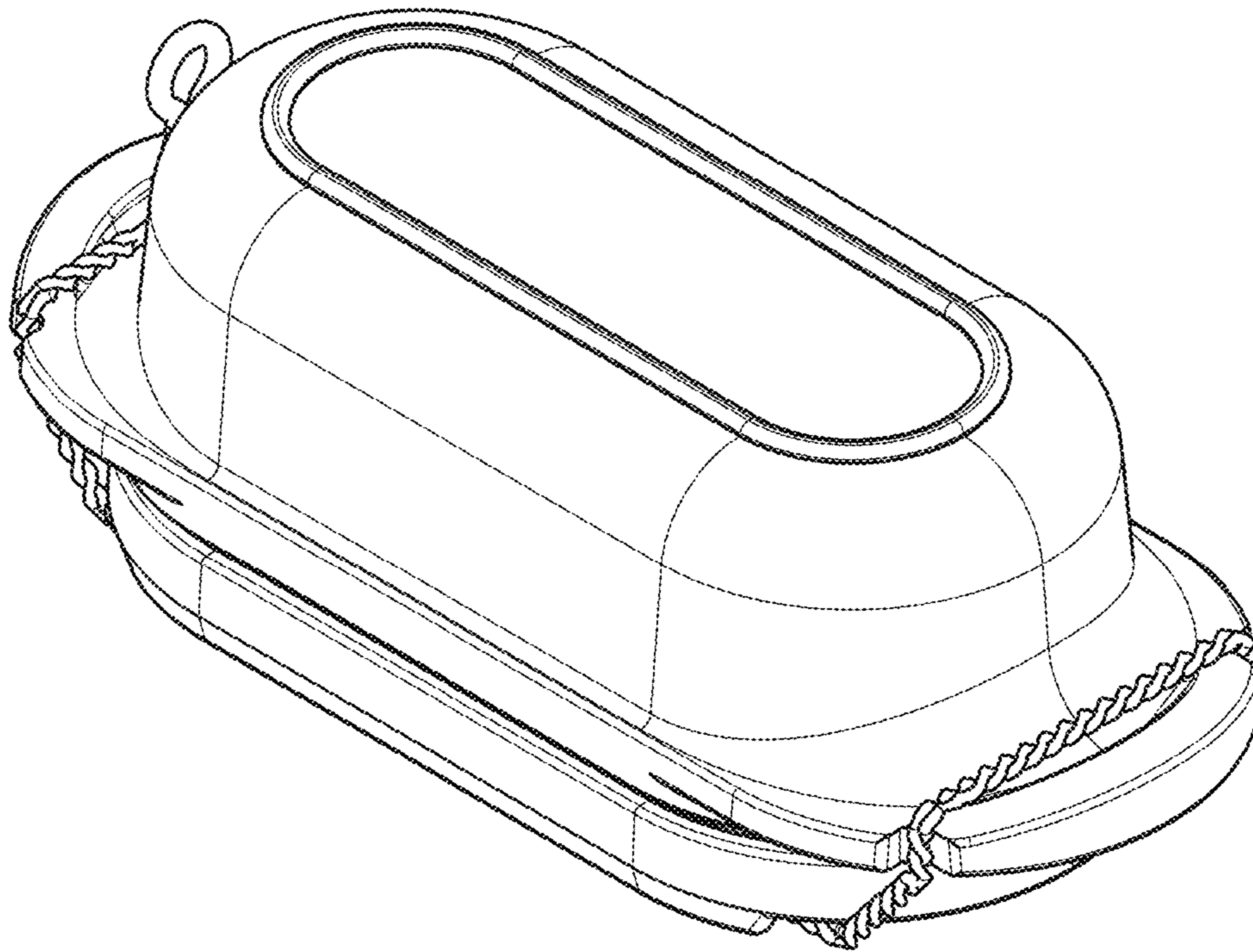


FIG. 4

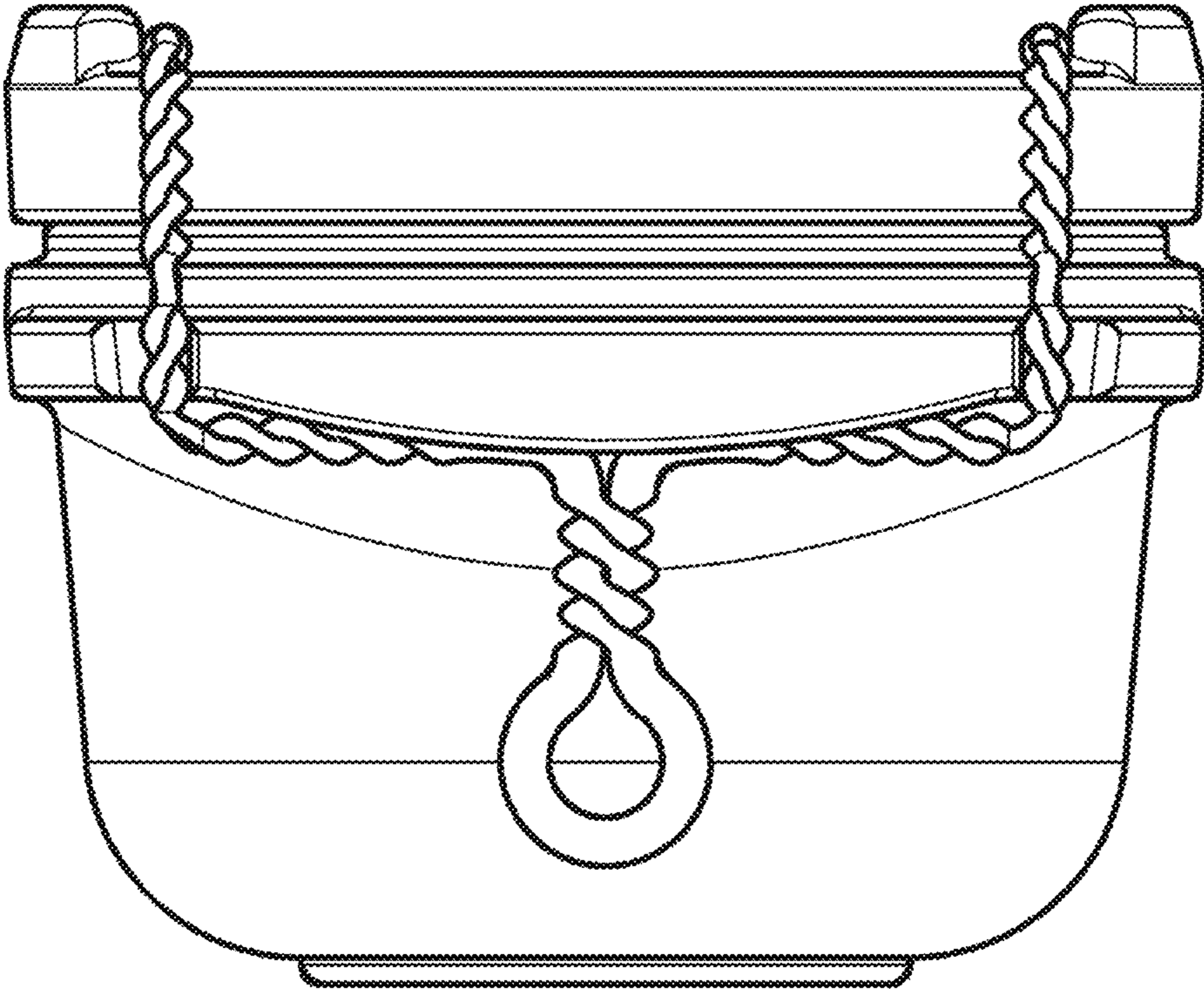


FIG. 5

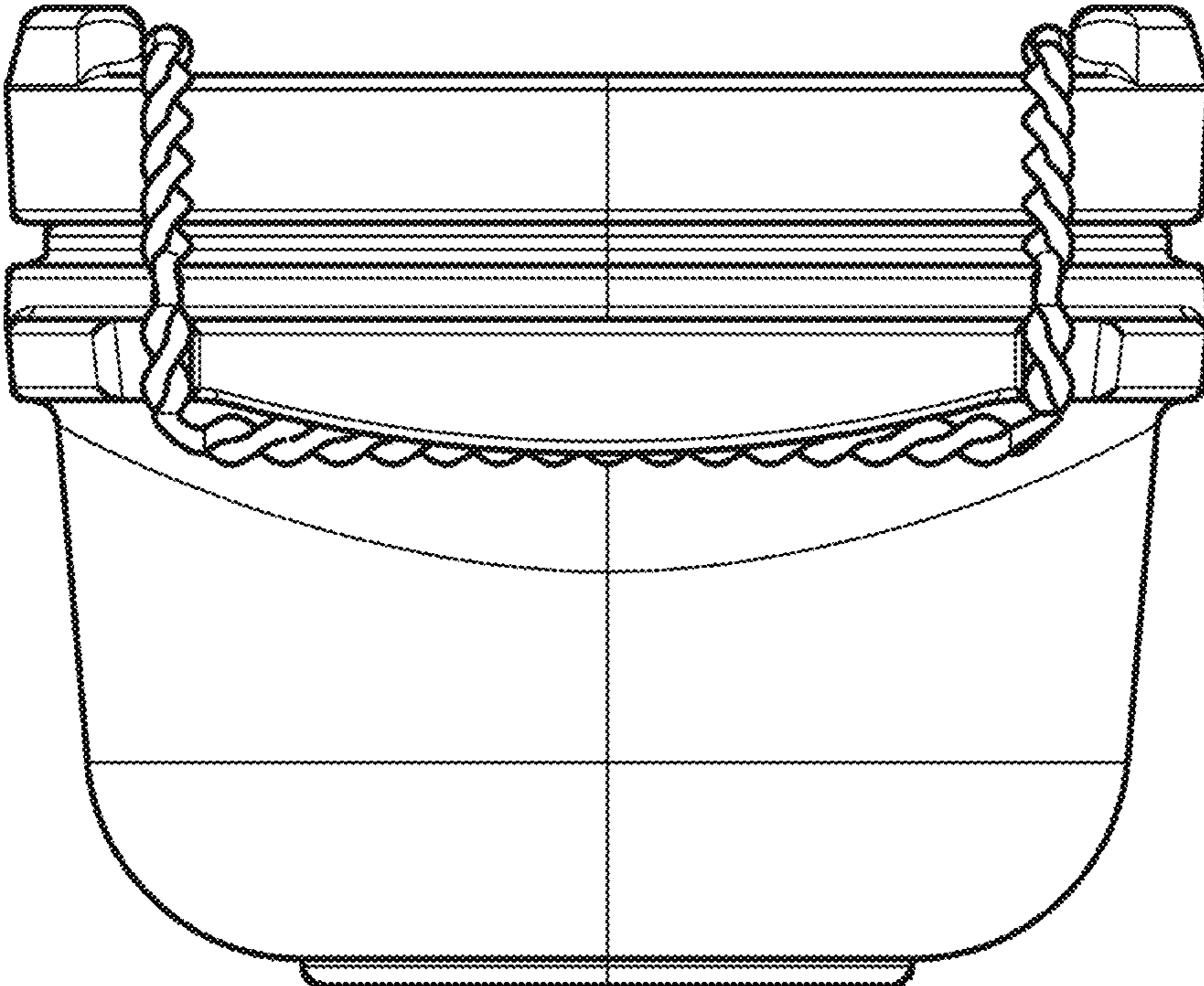


FIG. 6

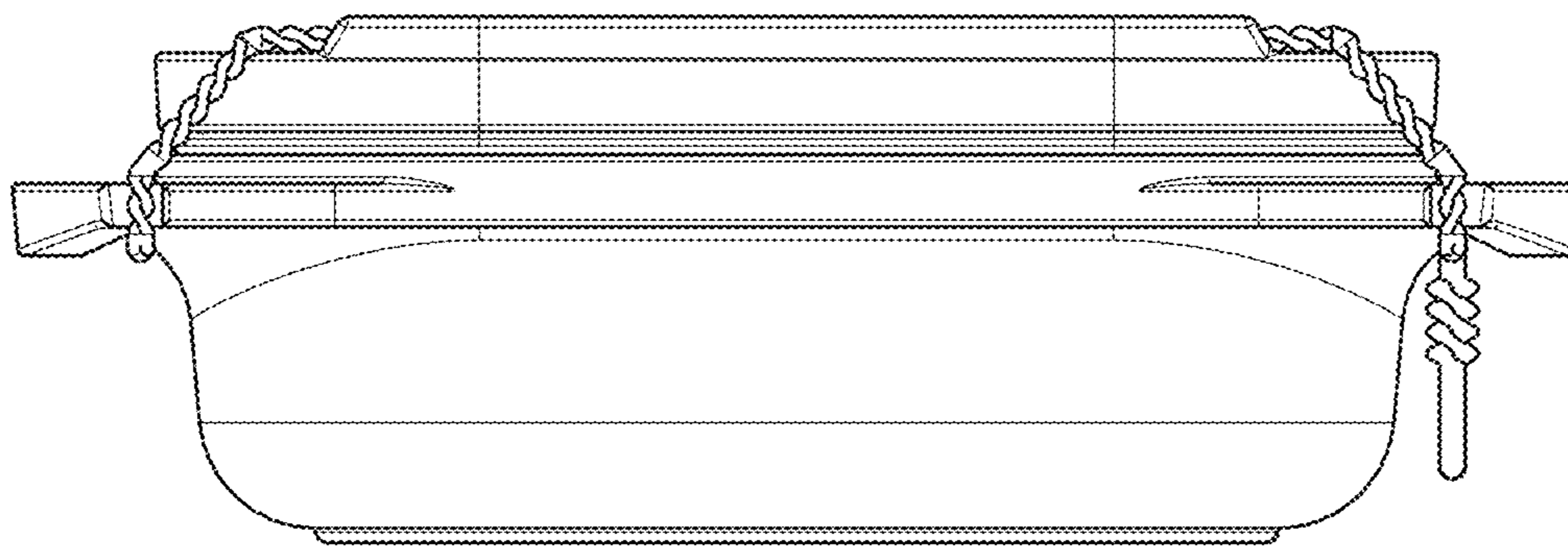


FIG. 7



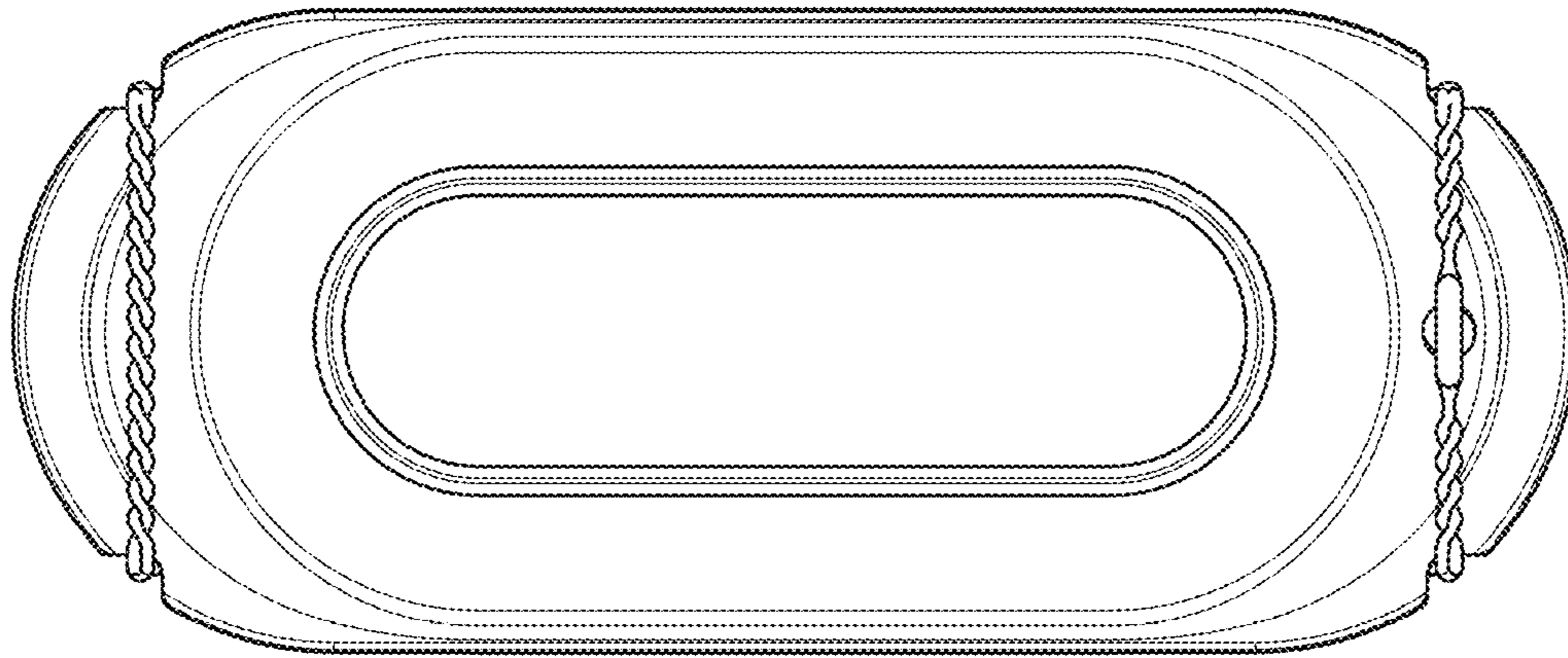


FIG. 8

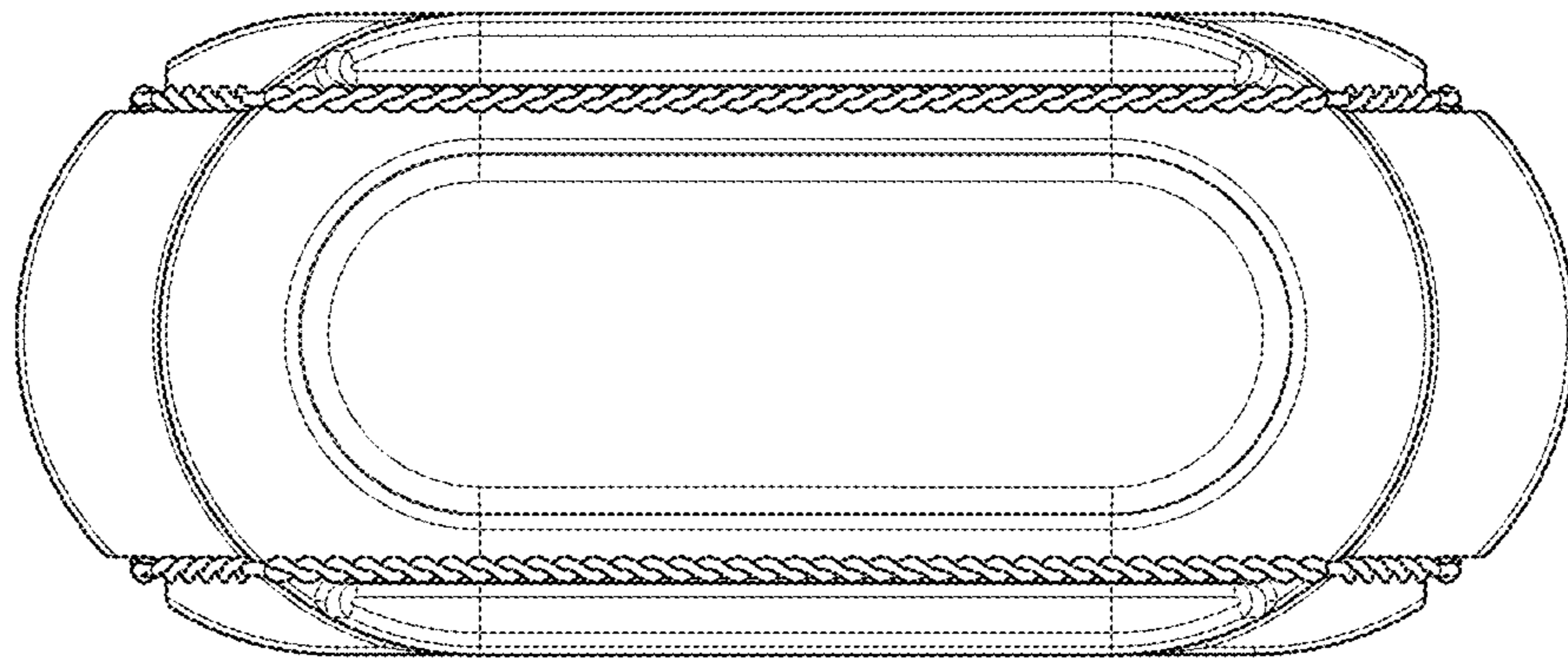


FIG. 9