



US00D793167S

(12) **United States Design Patent** (10) **Patent No.:** **US D793,167 S**  
**Schlegel et al.** (45) **Date of Patent:** **\*\* Aug. 1, 2017**

- (54) **DRINKING CUP**
- (71) Applicant: **Helen of Troy Limited**, Belleville, St. Michael (BB)
- (72) Inventors: **Reid Schlegel**, Brooklyn, NY (US); **John Traub**, Brooklyn, NY (US)
- (73) Assignee: **Helen of Troy Limited**, Belleville, St. Michael (BB)
- (\*\*) Term: **15 Years**
- (21) Appl. No.: **29/538,944**
- (22) Filed: **Sep. 9, 2015**
- (51) **LOC (10) Cl.** ..... **07-01**
- (52) **U.S. Cl.**  
USPC ..... **D7/534; D7/533; D7/510**
- (58) **Field of Classification Search**  
USPC ..... D7/500, 501, 505, 507, 509, 510, 511, D7/512, 523, 532, 534, 608, 607, 550.1, D7/553.1, 553.2, 554.3, 555, 669, 667, D7/529, 530; D9/414, 430, 431, 740, D9/759, 756, 440, 551, 556, 559, 562, D9/569, 504, 503, 447, 523, 516, 541, D9/530, 563, 570, 565, 557, 552; D3/203.3, 203.2, 205, 283, 202, 288, 903, D3/901; D28/77, 83, 4; D19/77, 92, 81, D19/90, 95, 65, 102, 103, 105, 106, 107, D19/109; D6/301; 215/388, 387, 382; 220/703, 669, 667, 62.12, 592.16, 592.17, 220/666; D24/197  
CPC .. A47G 19/30; A47G 19/022; A47G 23/0608; A47G 23/0633; A47G 23/06; A47G 2019/2277; A45F 2003/205; B65D 21/086; B65D 1/0292; Y10S 215/90  
See application file for complete search history.

- D476,849 S \* 7/2003 Randolph ..... D7/510
- D559,622 S \* 1/2008 Carreno ..... D7/510
- 7,651,005 B2 \* 1/2010 Nguyen ..... A47G 19/2227  
215/11.1
- D616,706 S \* 6/2010 Bofinger ..... D24/197
- D617,465 S \* 6/2010 Hakim ..... D24/197
- D625,423 S \* 10/2010 MacKay ..... D24/197
- D625,424 S \* 10/2010 MacKay ..... D24/197
- D642,435 S \* 8/2011 Schofield ..... D24/197
- D642,436 S \* 8/2011 Schofield ..... D24/197
- D642,437 S \* 8/2011 Schofield ..... D24/197
- D642,866 S \* 8/2011 Schofield ..... D24/197
- D656,788 S \* 4/2012 Sakulsacha ..... D24/197
- D679,948 S \* 4/2013 Meyer ..... D24/197
- D688,099 S \* 8/2013 Hsu ..... D24/197
- D710,147 S \* 8/2014 Saxton ..... D7/393
- D717,105 S \* 11/2014 Aslan ..... D7/393
- D717,116 S \* 11/2014 Aslan ..... D24/197

(Continued)

*Primary Examiner* — Marianne Pandozzi  
*Assistant Examiner* — Jae Liang  
(74) *Attorney, Agent, or Firm* — Rankin, Hill & Clark LLP

(57) **CLAIM**

The ornamental design for a drinking cup, as shown and described.

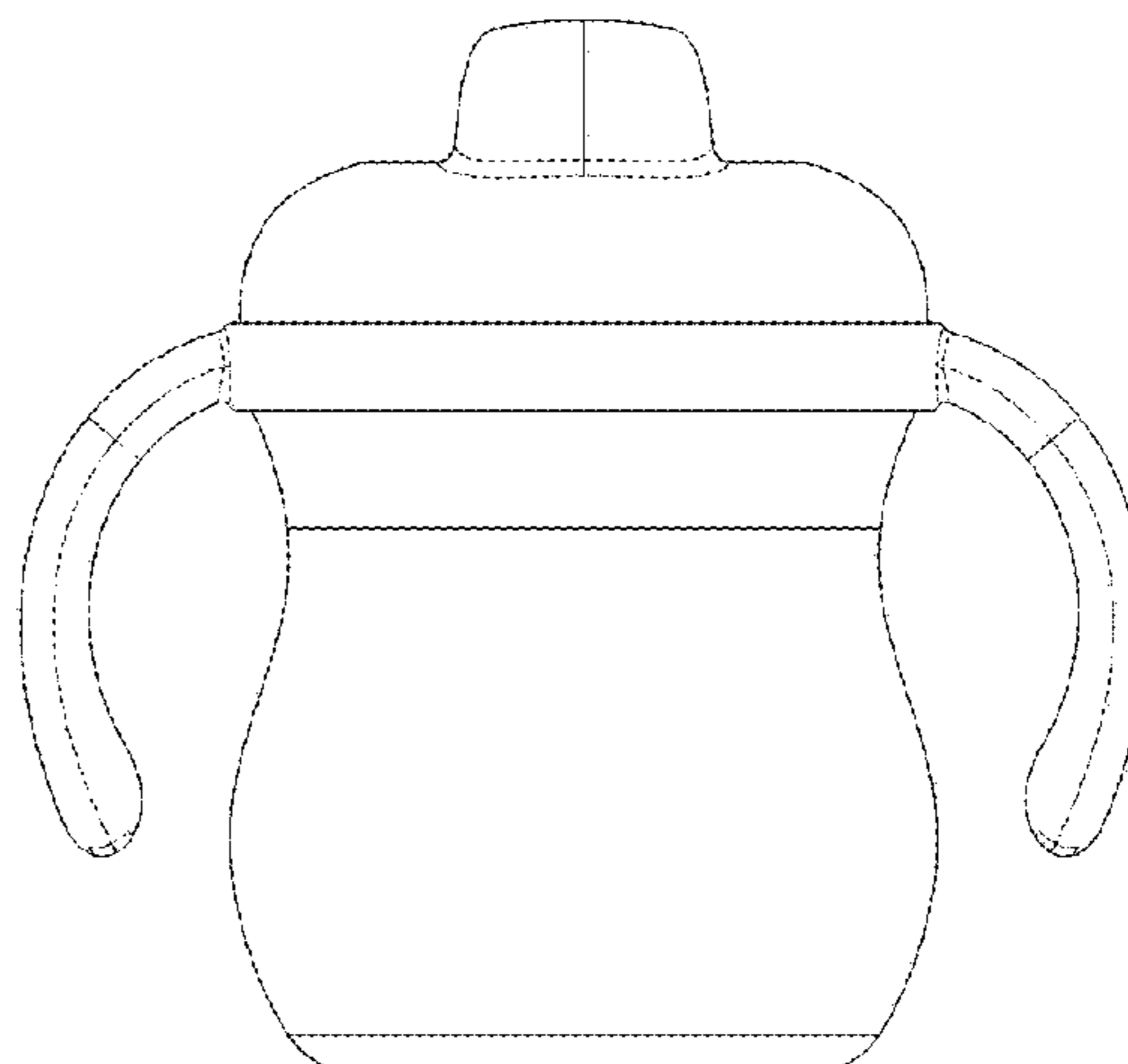
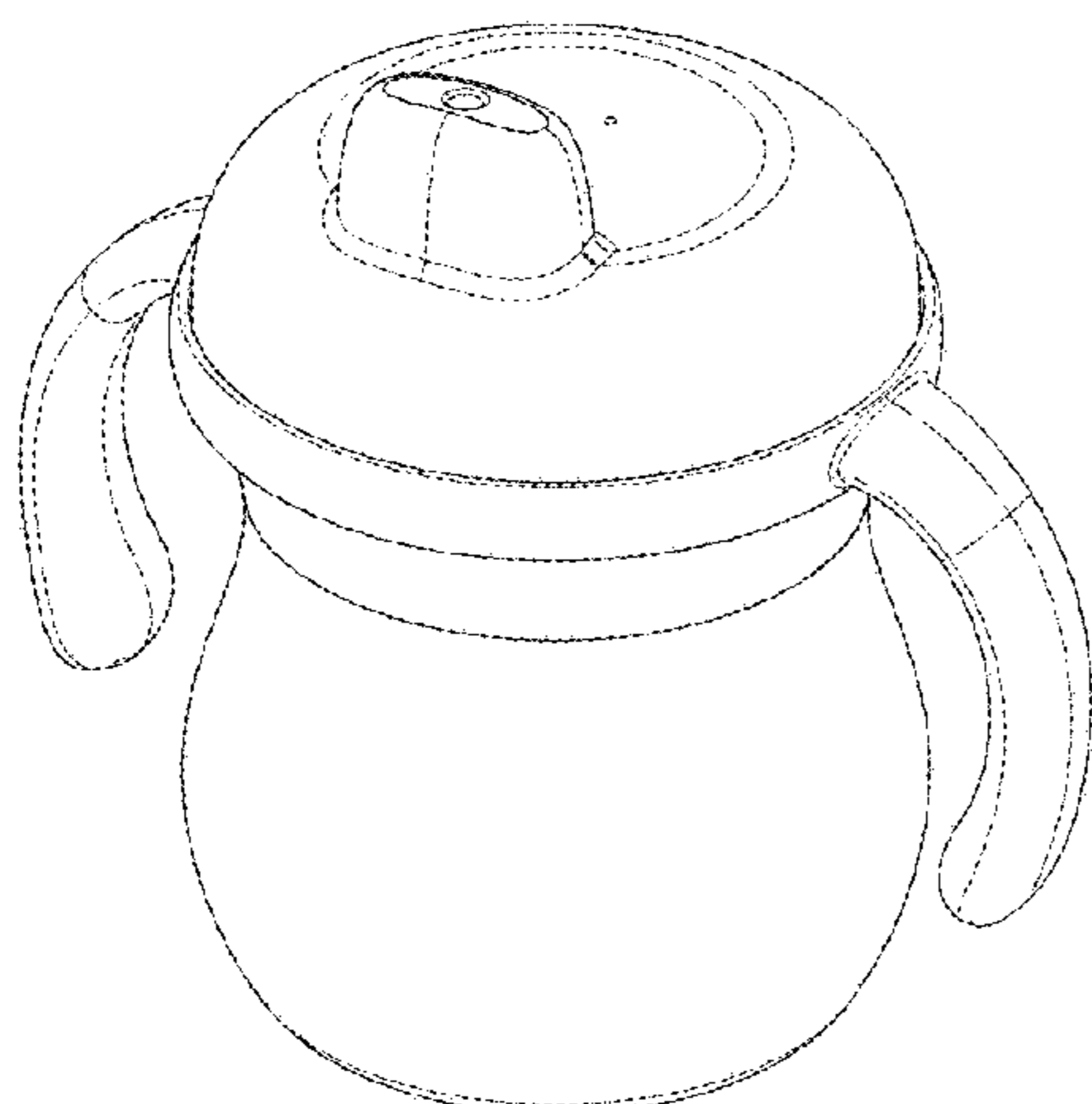
**DESCRIPTION**

FIG. 1 is a perspective view of a drinking cup showing our new design;  
FIG. 2 is a front elevational view thereof;  
FIG. 3 is a rear elevational view thereof;  
FIG. 4 is a left side elevational view thereof;  
FIG. 5 is a right side elevational view thereof;  
FIG. 6 is a top plan view thereof; and,  
FIG. 7 is a bottom plan view thereof.  
The broken lines in the drawings depict portions of the drinking cup that form no part of the claimed design.

**1 Claim, 7 Drawing Sheets**

(56) **References Cited**  
U.S. PATENT DOCUMENTS

- D441,087 S \* 4/2001 Johansen ..... D24/197
- D441,872 S \* 5/2001 Johansen ..... D24/197



(56)

**References Cited**

U.S. PATENT DOCUMENTS

D718,087	S	*	11/2014	Marasligiller	.....	D7/396.2
D718,090	S	*	11/2014	Roehrig	.....	D7/510
D727,098	S	*	4/2015	Saxton	.....	D7/509
D734,095	S	*	7/2015	Thomas	.....	D24/197
D748,435	S	*	2/2016	Thalmann	.....	D7/510
D749,745	S	*	2/2016	Prentice	.....	D24/197
D750,439	S	*	3/2016	Saxton	.....	D7/509
D755,569	S	*	5/2016	Parker	.....	D7/510
D757,494	S	*	5/2016	Parker	.....	D7/510
D763,624	S	*	8/2016	Parker	.....	D7/510
2005/0098567	A1	*	5/2005	Randolph	.....	A47G 19/2272 220/710.5

\* cited by examiner

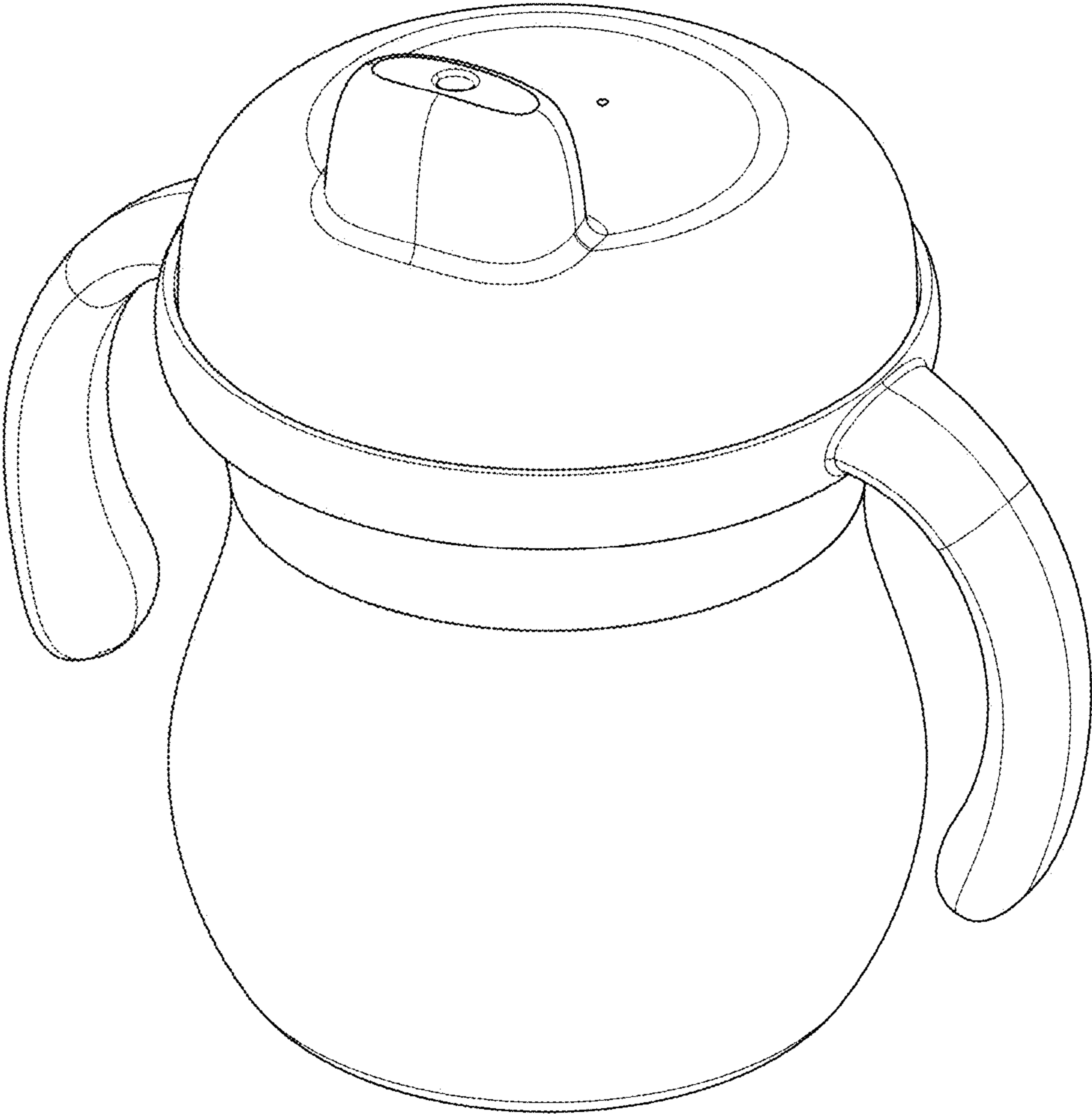


FIG. 1

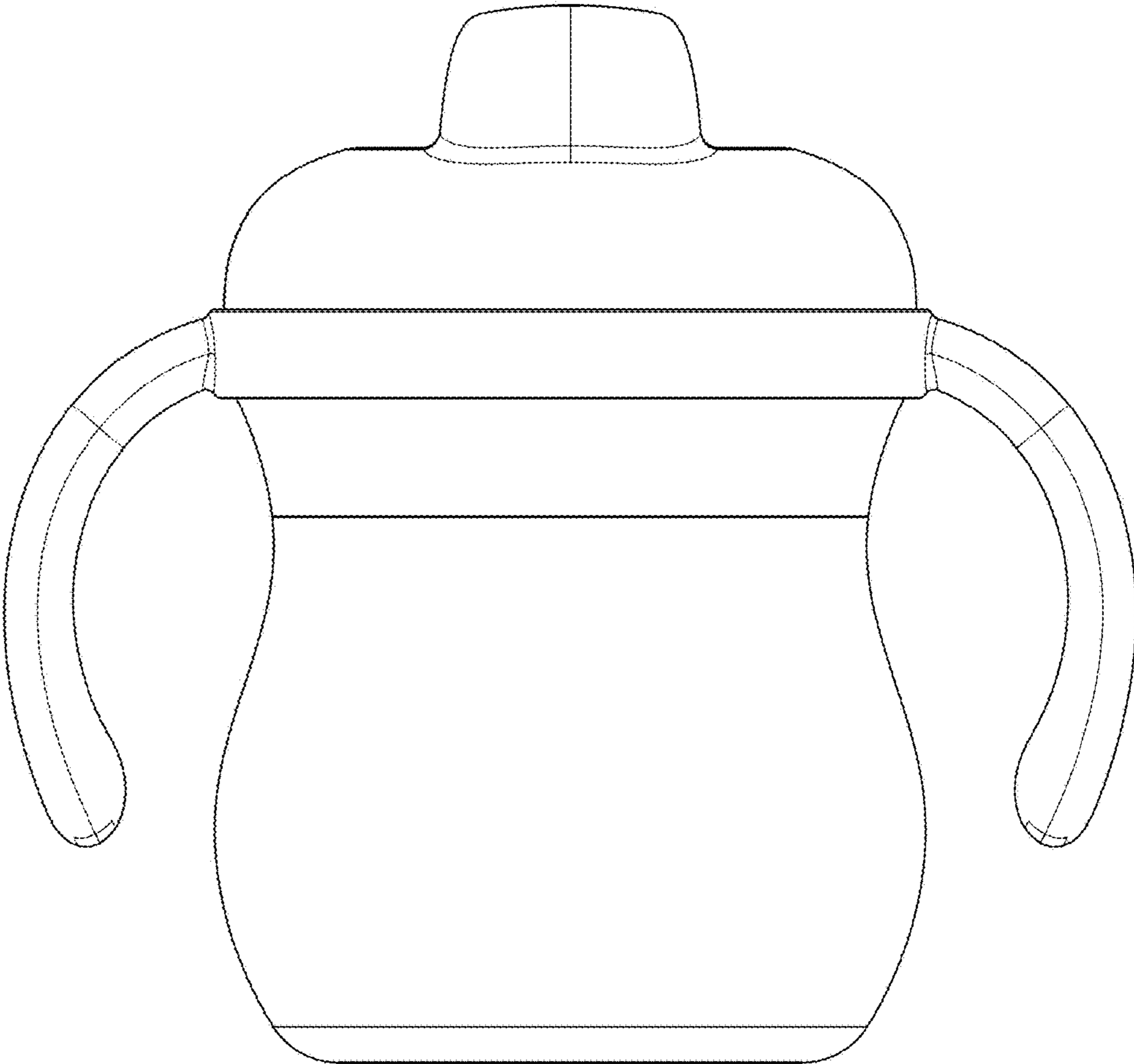


FIG.2

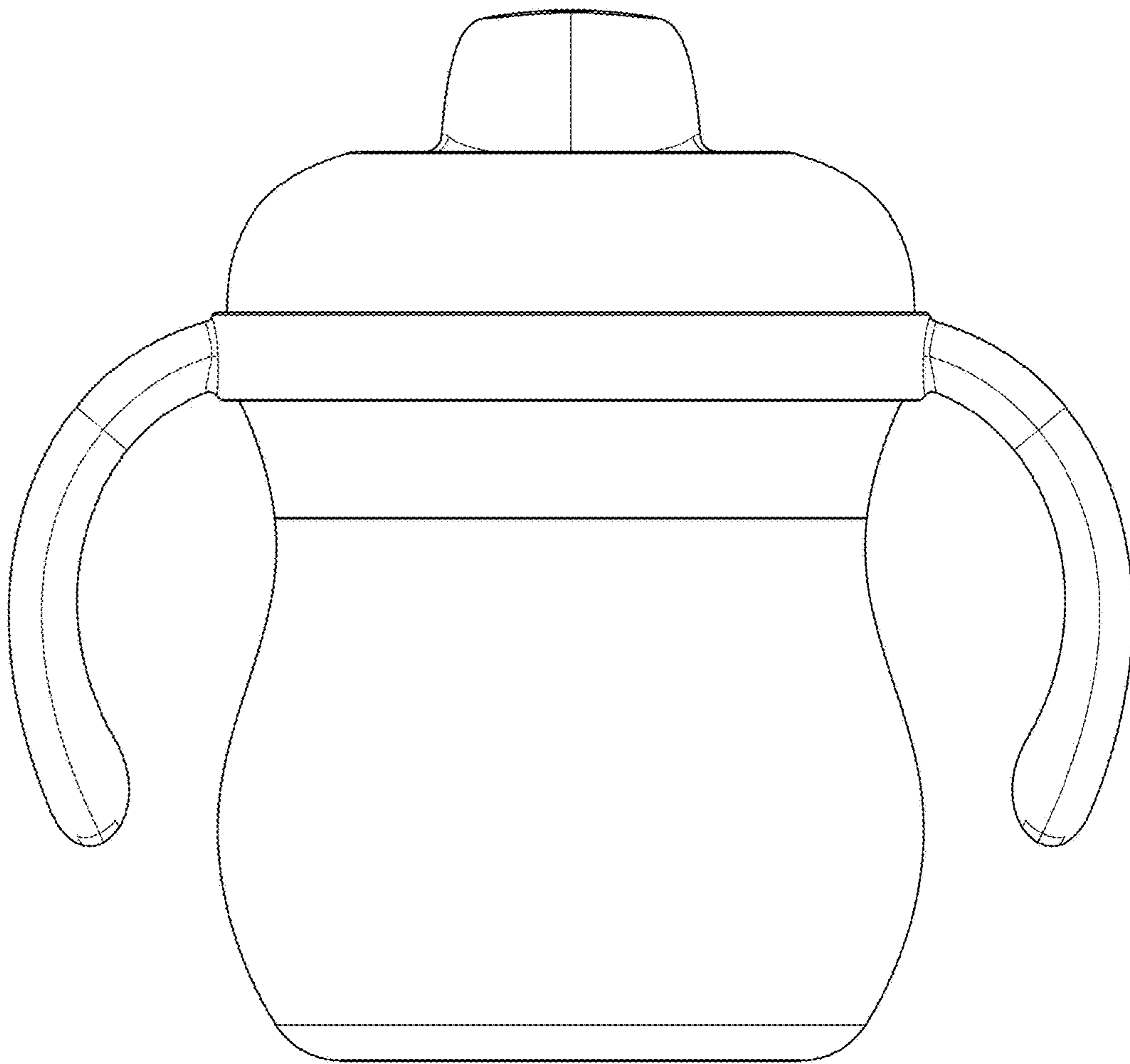


FIG.3

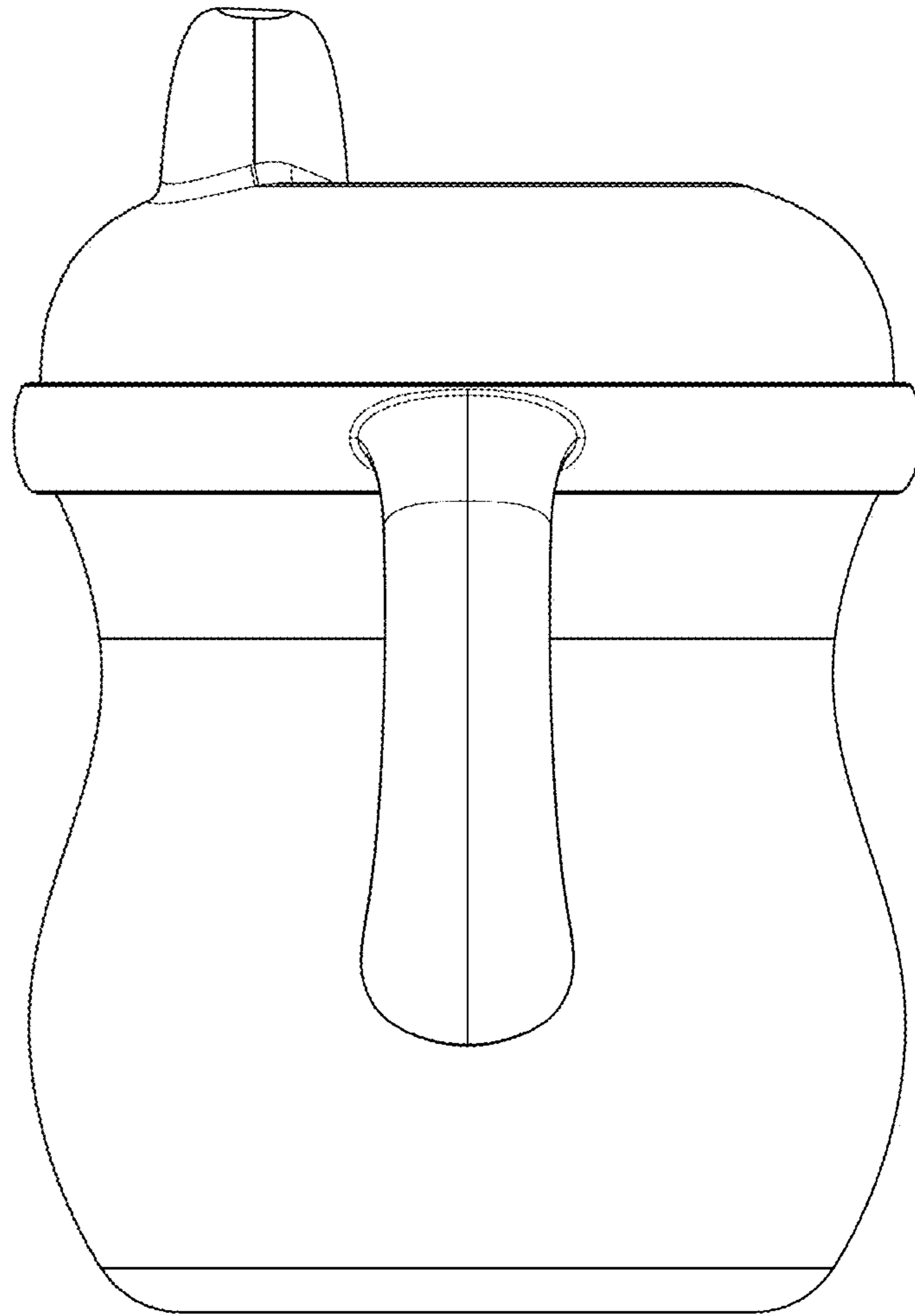


FIG.4

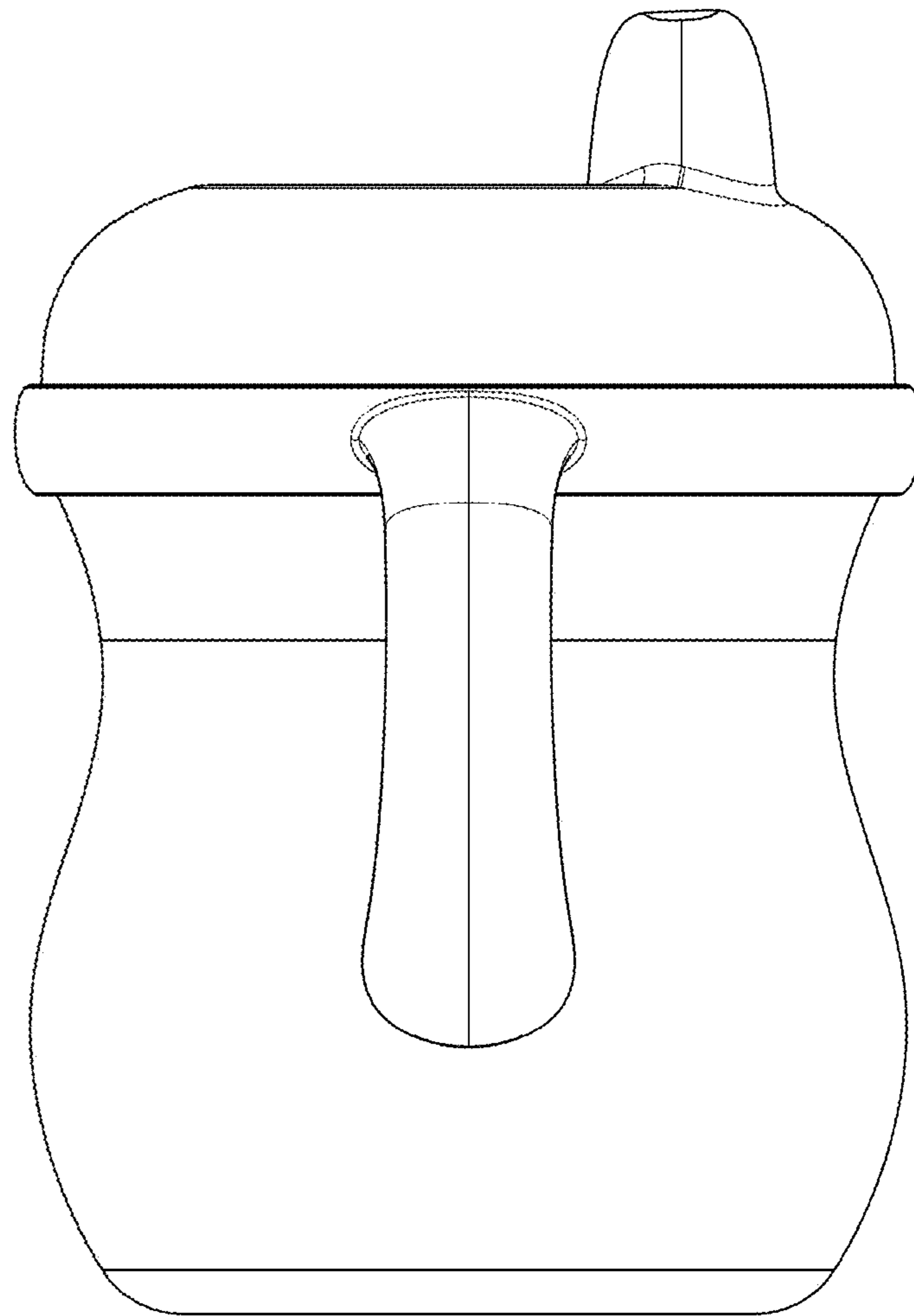


FIG.5

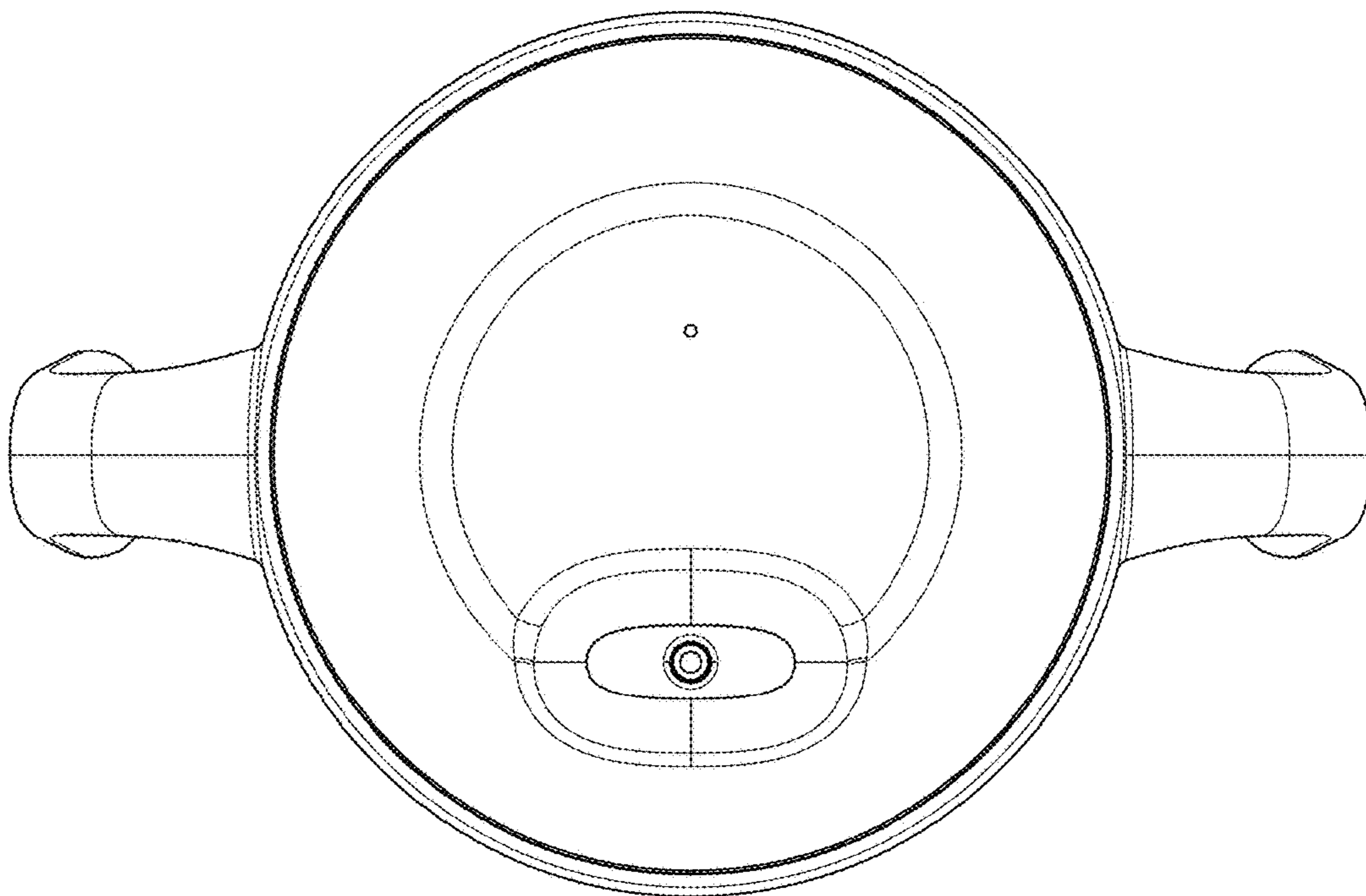


FIG.6



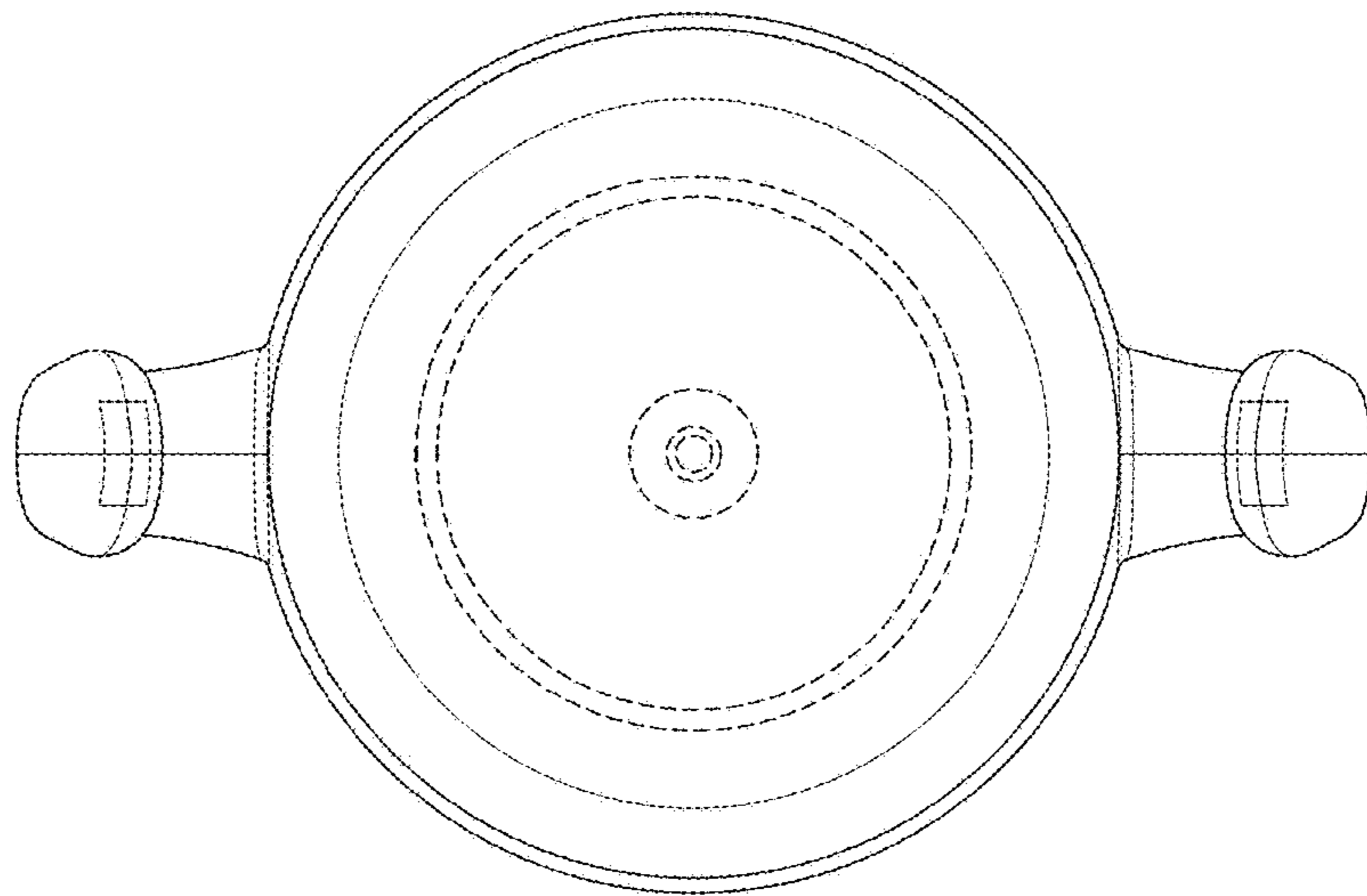


FIG.7