



US00D793166S

(12) **United States Design Patent**
Karussi et al.

(10) **Patent No.:** **US D793,166 S**
(45) **Date of Patent:** **** Aug. 1, 2017**

(54) **PORTABLE BEVERAGE CONTAINER**

(71) Applicant: **Tervis Tumbler Company**, North Venice, FL (US)

(72) Inventors: **Kurt Karussi**, Osprey, FL (US); **Matt Tosi**, North Port, FL (US); **Shannon Mahoney**, Berlin, CT (US)

(73) Assignee: **Tervis Tumbler Company**, North Venice, FL (US)

(**) Term: **15 Years**

(21) Appl. No.: **29/575,778**

(22) Filed: **Aug. 29, 2016**

(51) **LOC (10) Cl.** **07-01**

(52) **U.S. Cl.**
USPC **D7/510; D7/511; D7/532**

(58) **Field of Classification Search**
USPC D7/507, 509, 510, 511, 512, 513, 523, D7/529, 530, 531, 532, 608, 300, 300.1, D7/591, 598, 312, 392.1, 396.2, 398, 397, D7/213, 305, 396.1; D9/501, 502, 500, D9/503, 505, 516, 523, 530, 537, 546, D9/550, 552, 563, 565, 569, 571, 434, D9/447, 440, 557, 521, 522, 575; D3/202; 220/592.16, 592.17, 200, 703; D6/354, 355; D12/107, 114
CPC A45F 3/16; B65D 47/066; A47G 19/2272; A47G 19/2266; A47J 43/27
See application file for complete search history.

(56) **References Cited**

U.S. PATENT DOCUMENTS

4,454,889 A 6/1984 Contreras, Sr.
D289,484 S * 4/1987 Forquer D7/532
D321,623 S * 11/1991 Sun D7/317
5,246,145 A 9/1993 Leoncavallo et al.
5,344,037 A 9/1994 Favre

5,392,938 A 2/1995 Dubach
5,620,107 A 4/1997 Takeuchi
5,762,216 A 6/1998 Takeuchi
5,868,265 A 2/1999 Kobayashi
D528,921 S 9/2006 Leoncavallo et al.
D539,607 S 4/2007 Lapsker
D539,608 S 4/2007 Lapsker
D550,562 S 9/2007 Yew
7,270,244 B1 9/2007 Liu
D565,353 S 4/2008 Roth et al.
D586,184 S 2/2009 Miller et al.

(Continued)

Primary Examiner — Marianne Pandozzi

Assistant Examiner — Jae Liang

(74) *Attorney, Agent, or Firm* — Caesar Rivise, PC

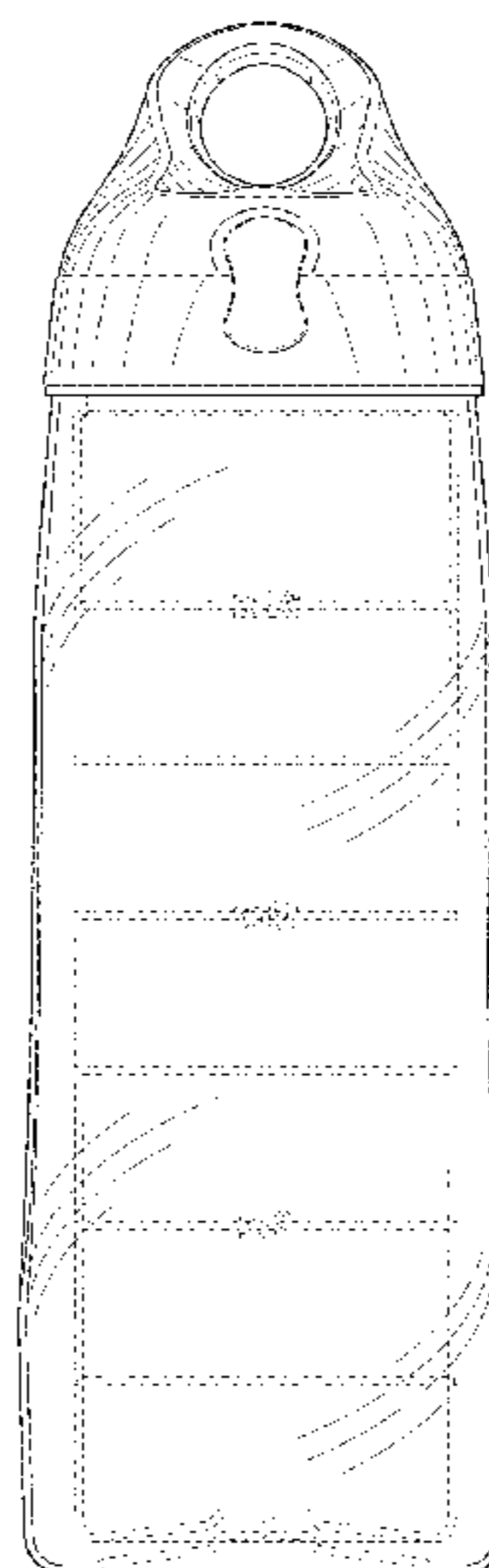
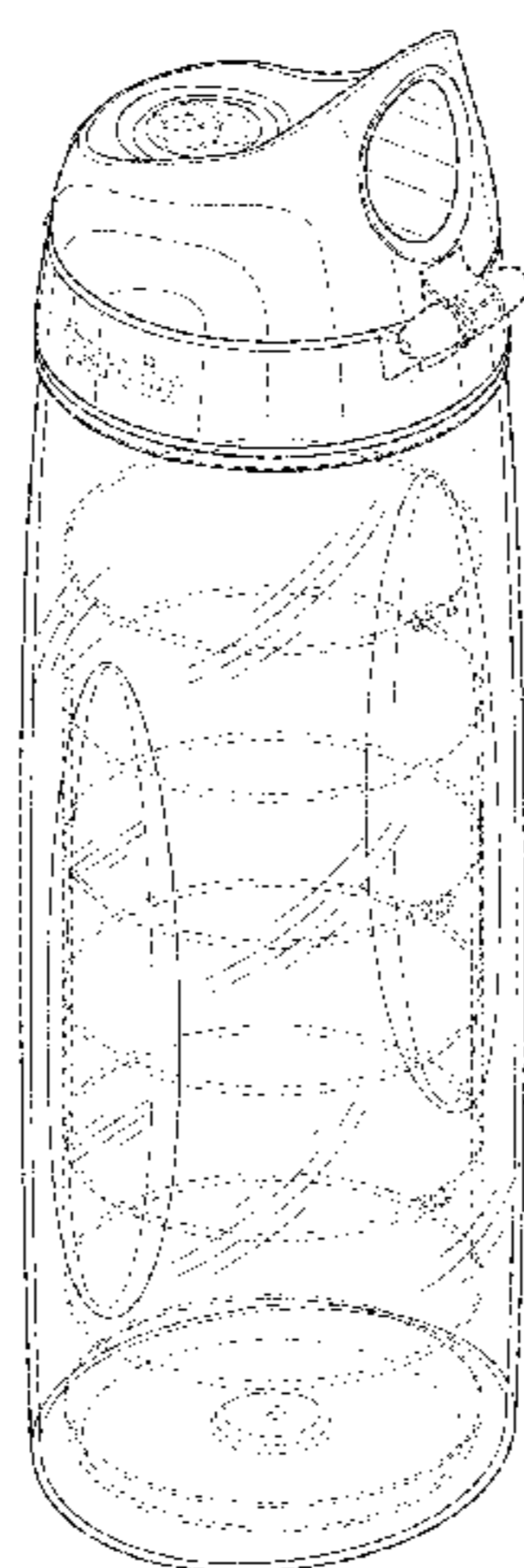
(57) **CLAIM**

The ornamental design for a portable beverage container, as shown and described.

DESCRIPTION

FIG. 1 is a rear, right side isometric view of a portable beverage container showing our new design;
FIG. 2 is a rear, left side isometric view of the portable beverage container shown in FIG. 1;
FIG. 3 is a front elevational view of the portable beverage container shown in FIG. 1;
FIG. 4 is a rear elevational view of the portable beverage container shown in FIG. 1;
FIG. 5 is a right side elevational view of the portable beverage container shown in FIG. 1;
FIG. 6 is a left side elevational view of the portable beverage container shown in FIG. 1;
FIG. 7 is a top plan view of the portable beverage container shown in FIG. 1; and,
FIG. 8 is a bottom plan view of the portable beverage container shown in FIG. 1.
The broken lines designated by the evenly spaced dashes are directed to unclaimed portions and form no part of the claimed design.

1 Claim, 7 Drawing Sheets



(56)

References Cited

U.S. PATENT DOCUMENTS

D613,110	S *	4/2010	Lane	D7/392.1
D624,361	S	9/2010	Roth et al.	
D626,416	S	11/2010	Cresswell et al.	
D634,158	S	3/2011	Roth et al.	
D635,457	S	4/2011	Lane	
D657,195	S	4/2012	Menceles et al.	
D662,360	S	6/2012	George	
D669,310	S	10/2012	Barreto et al.	
D719,445	S *	12/2014	Caneer	D9/447
9,022,239	B2	5/2015	Mackenzie et al.	
D744,780	S *	12/2015	Lindsay	D7/510
D766,090	S *	9/2016	Boroski	D7/509
2003/0136783	A1	7/2003	Hatsumoto et al.	
2005/0045643	A1 *	3/2005	Ghanem	A47G 19/2227 220/592.17
2005/0218105	A1	10/2005	Arai	
2011/0174993	A1 *	7/2011	Blain	C02F 1/325 250/492.1
2011/0278206	A1 *	11/2011	Hull	A47G 19/2266 210/85
2013/0140316	A1 *	6/2013	Flowers	A47G 19/2272 220/592.17
2016/0270572	A1 *	9/2016	Karussi	A47G 19/2272

* cited by examiner

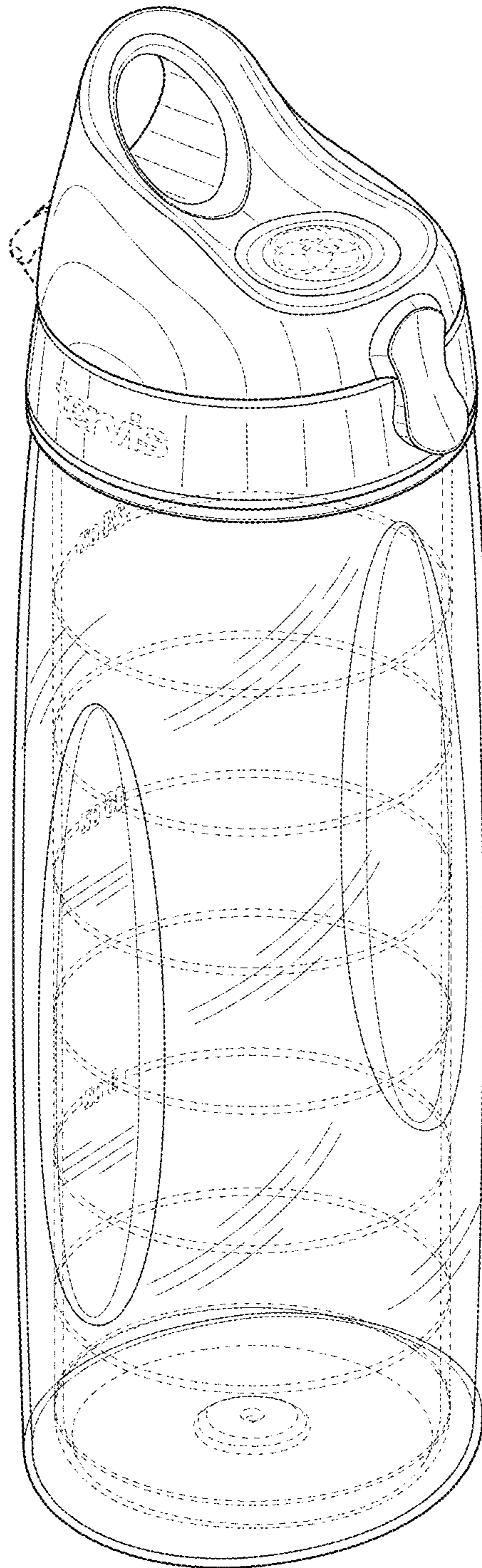


FIG. 1

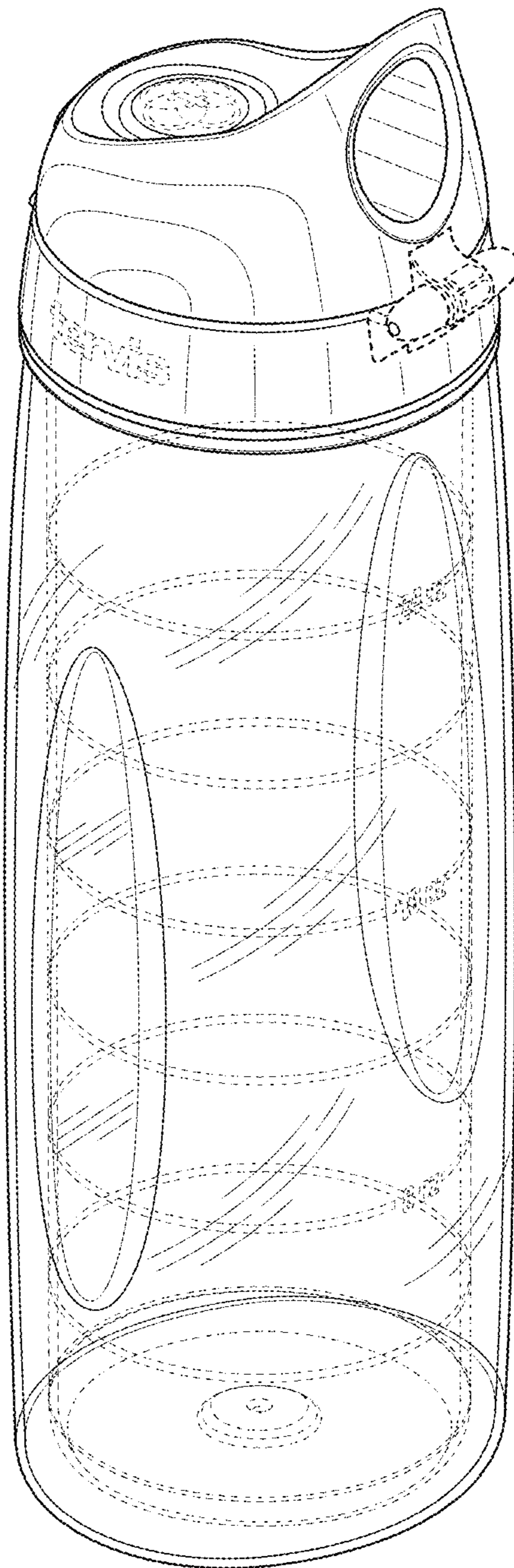


FIG. 2

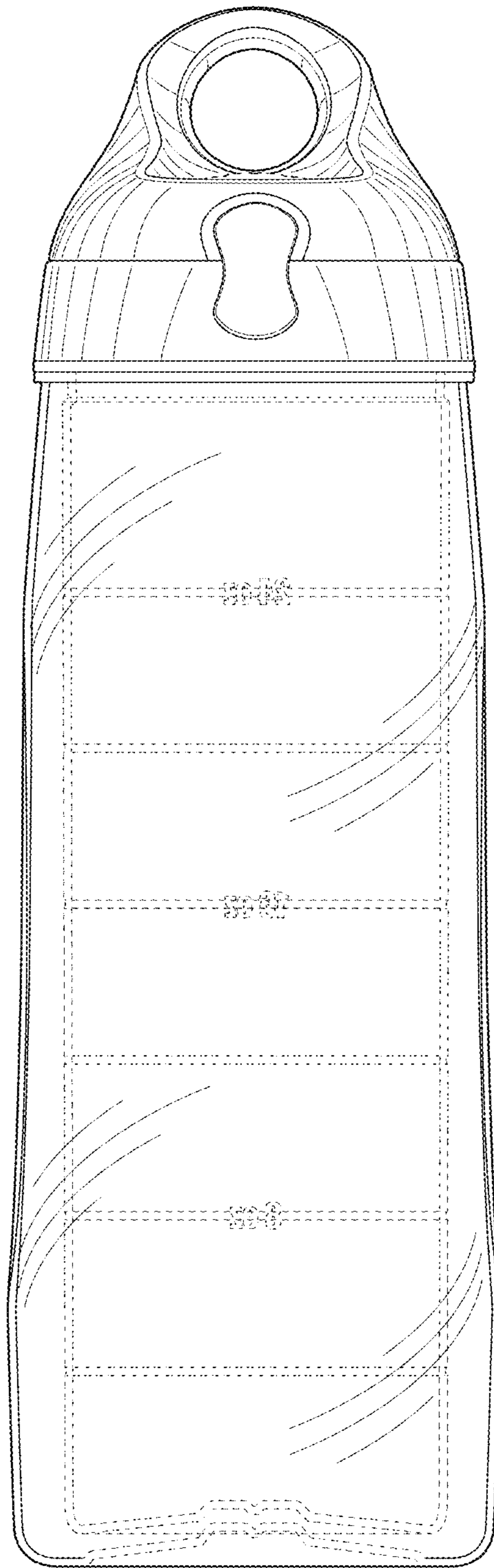


FIG. 3

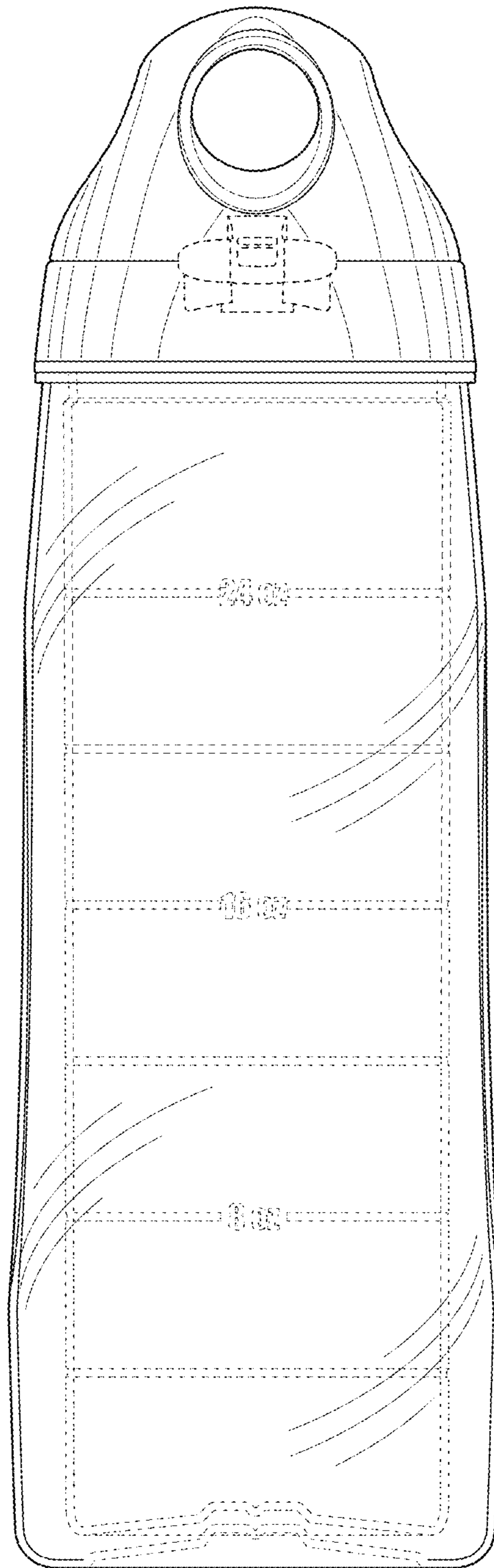


FIG. 4

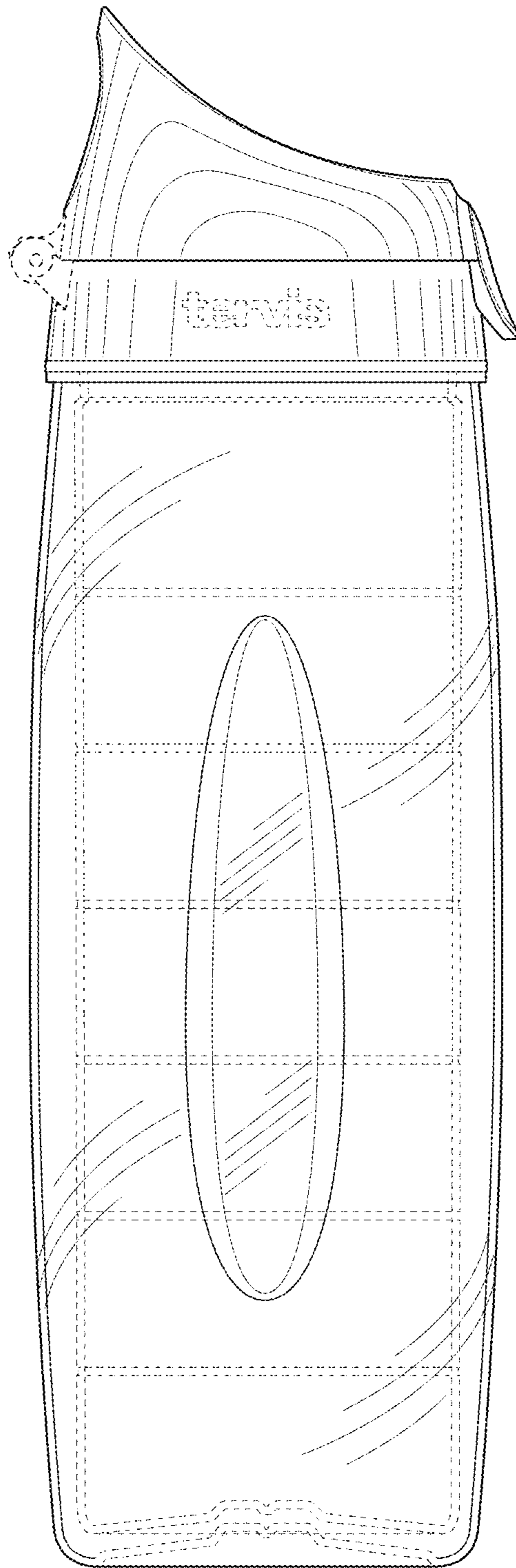


FIG. 5

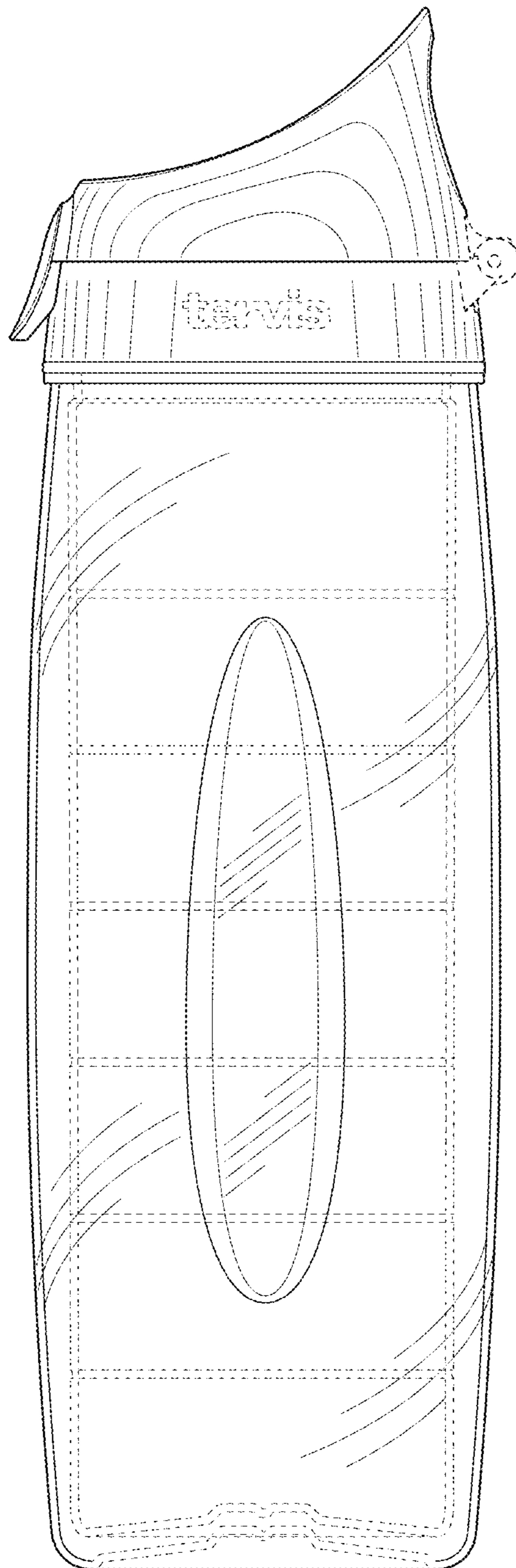


FIG. 6

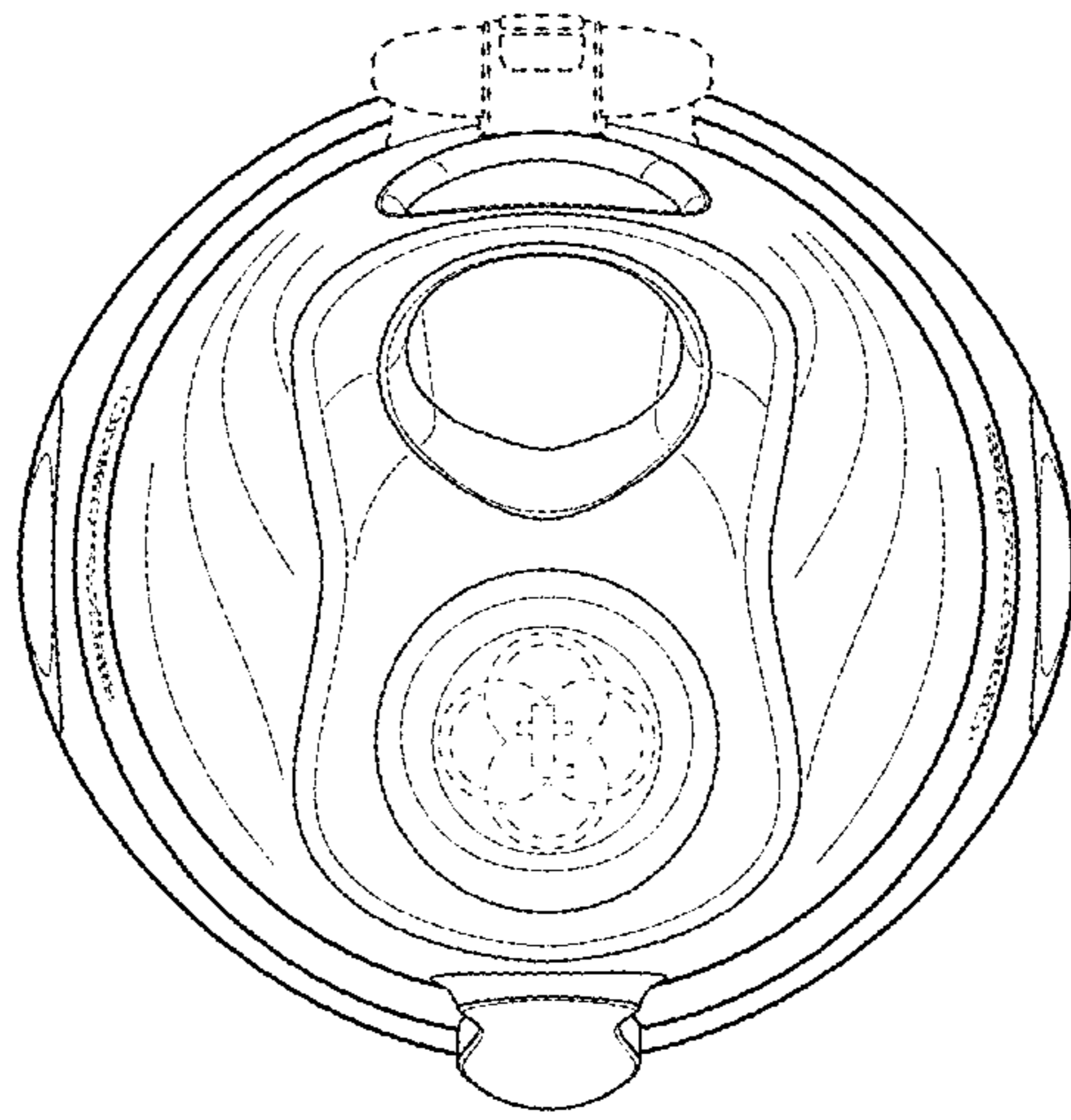


FIG. 7

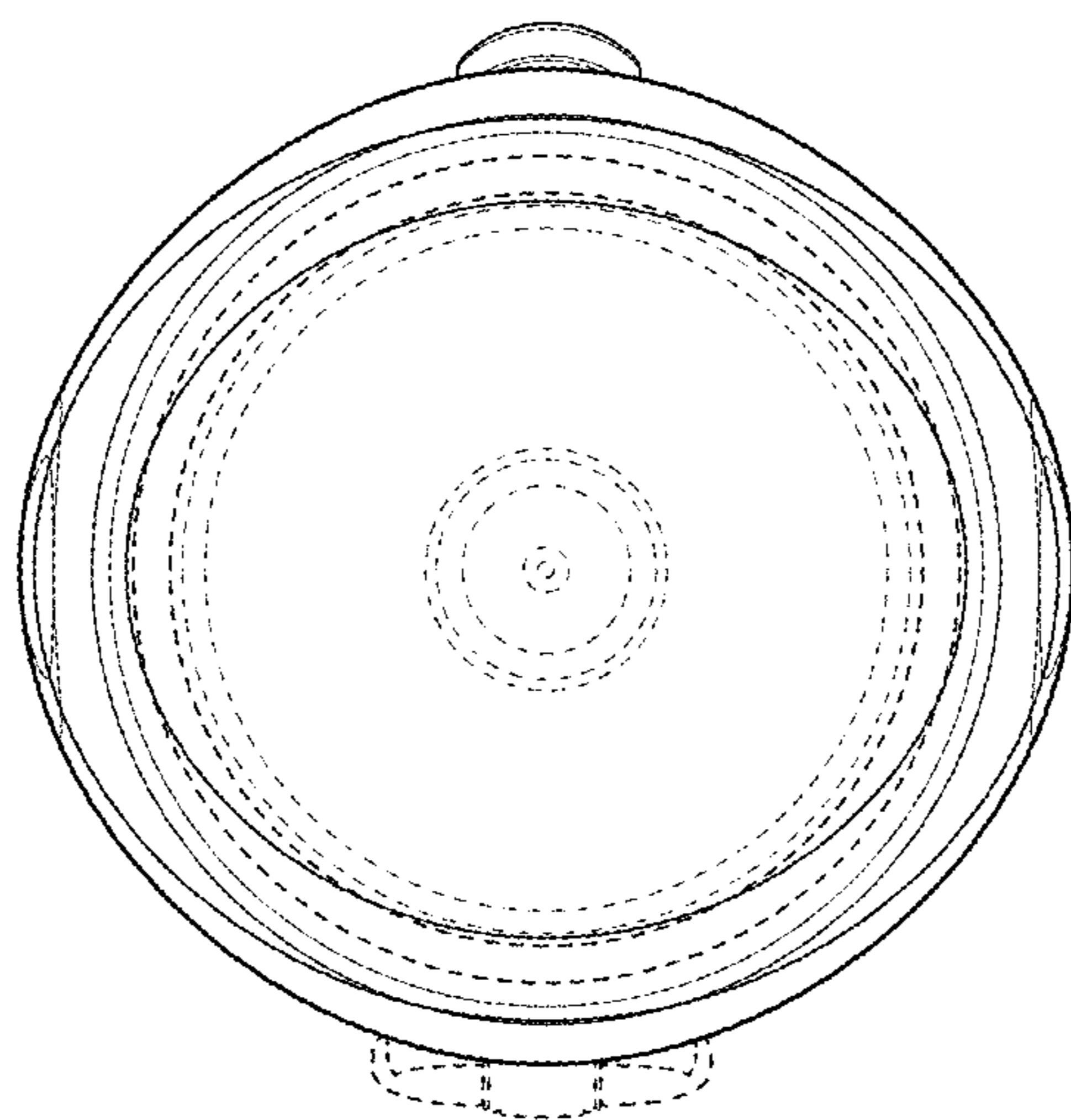


FIG. 8