



US00D793165S

(12) **United States Design Patent** (10) **Patent No.:** **US D793,165 S**  
**Rummel et al.** (45) **Date of Patent:** **\*\* Aug. 1, 2017**

(54) **DRINKING VESSEL WITH A LID AND LID COVER**

D784,765 S \* 4/2017 Yao ..... D7/510  
2011/0278206 A1\* 11/2011 Hull ..... A47G 19/2266  
210/85  
2016/0316896 A1\* 11/2016 Breit ..... A45F 3/16

(71) Applicant: **BRITA GMBH**, Taunusstein (DE)

(72) Inventors: **Christian Rummel**, Benningen (DE);  
**Tim Storti**, Schwieberdingen (DE)

(73) Assignee: **BRITA GMBH**, Taunusstein (DE)

(\*\*) Term: **15 Years**

(21) Appl. No.: **29/574,739**

(22) Filed: **Aug. 18, 2016**

(51) **LOC (10) Cl.** ..... **07-01**

(52) **U.S. Cl.**  
USPC ..... **D7/510**

(58) **Field of Classification Search**  
USPC ..... D07/510, 511, 523, 529, 532, 533-536,  
D07/608, 300.1, 591, 392.1, 396.2;  
D09/503, 504, 516-575  
CPC ..... A47G 19/22; A47G 19/2205; A47G  
19/2266; A47G 19/2272; A45F 3/16  
See application file for complete search history.

FOREIGN PATENT DOCUMENTS

DE	49912013-0001	2/2000
DE	40011218-0001	11/2000
DE	402010002629-0001	5/2010
DE	402012004085-0012	9/2012
DE	402012004085-0023	9/2012
DE	402012004085-0025	9/2012
EM	000605902-0001	10/2006
EM	000605902-0002	10/2006
JP	1391631 S	7/2009
JP	1509480 S	12/2012

\* cited by examiner

*Primary Examiner* — Daniel Bui

*Assistant Examiner* — Andrew Kerr

(74) *Attorney, Agent, or Firm* — Hudak, Shunk & Farine Co., LPA

(57) **CLAIM**

The ornamental design for a “drinking vessel with a lid and lid cover,” as shown and described.

**DESCRIPTION**

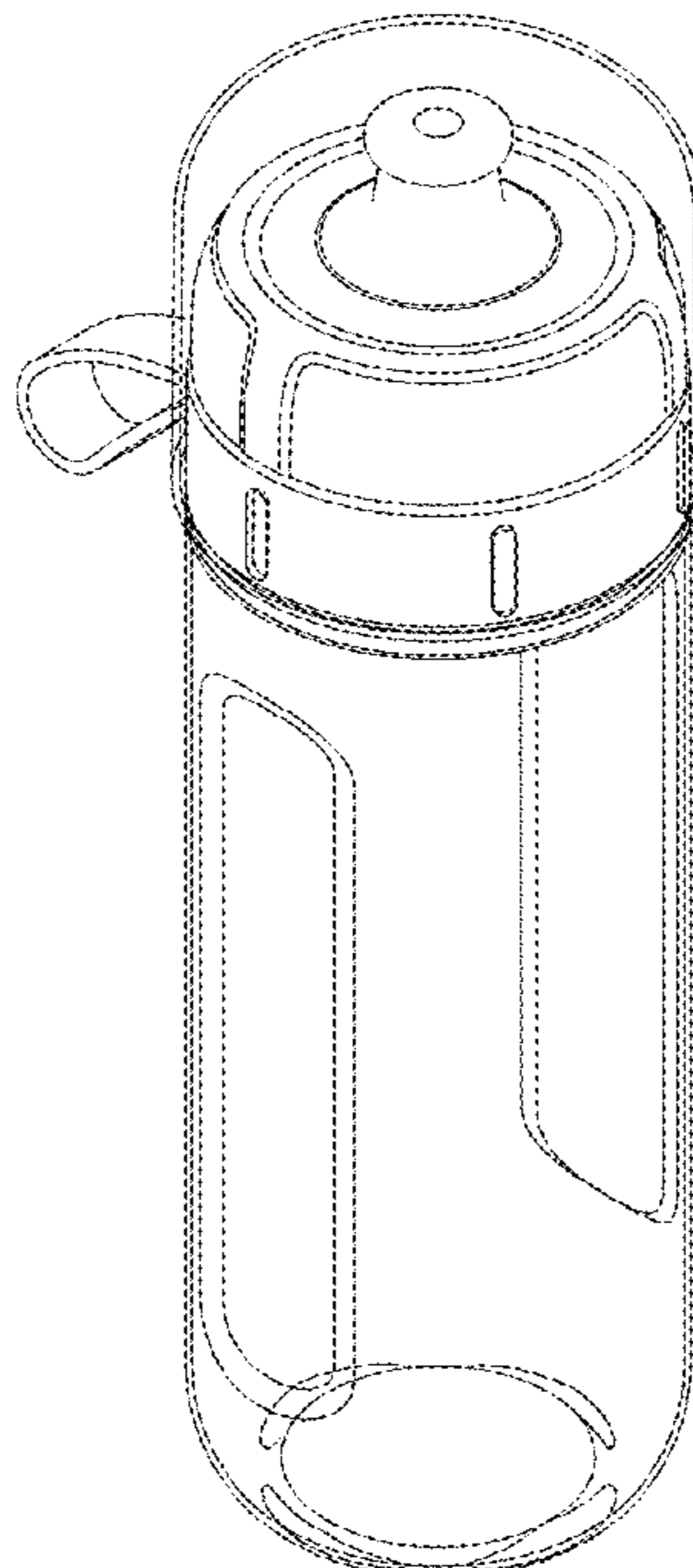
FIG. 1 is a front and right side perspective view of a drinking vessel with a lid and lid cover, showing our new design; FIG. 2 is a top view thereof; FIG. 3 is a bottom view thereof; FIG. 4 is a right side view thereof; FIG. 5 is a left side view thereof; FIG. 6 is a front view thereof; and, FIG. 7 is a rear view thereof.

**1 Claim, 7 Drawing Sheets**

(56) **References Cited**

U.S. PATENT DOCUMENTS

D512,874 S	*	12/2005	Poulson	.....	D7/510
D699,516 S		2/2014	Kim		
D724,896 S		3/2015	Williams		
D736,562 S		8/2015	Green		
D753,442 S	*	4/2016	Weernink	.....	D7/507
D772,652 S	*	11/2016	Yao	.....	D7/510
D774,351 S	*	12/2016	Breit	.....	D7/394



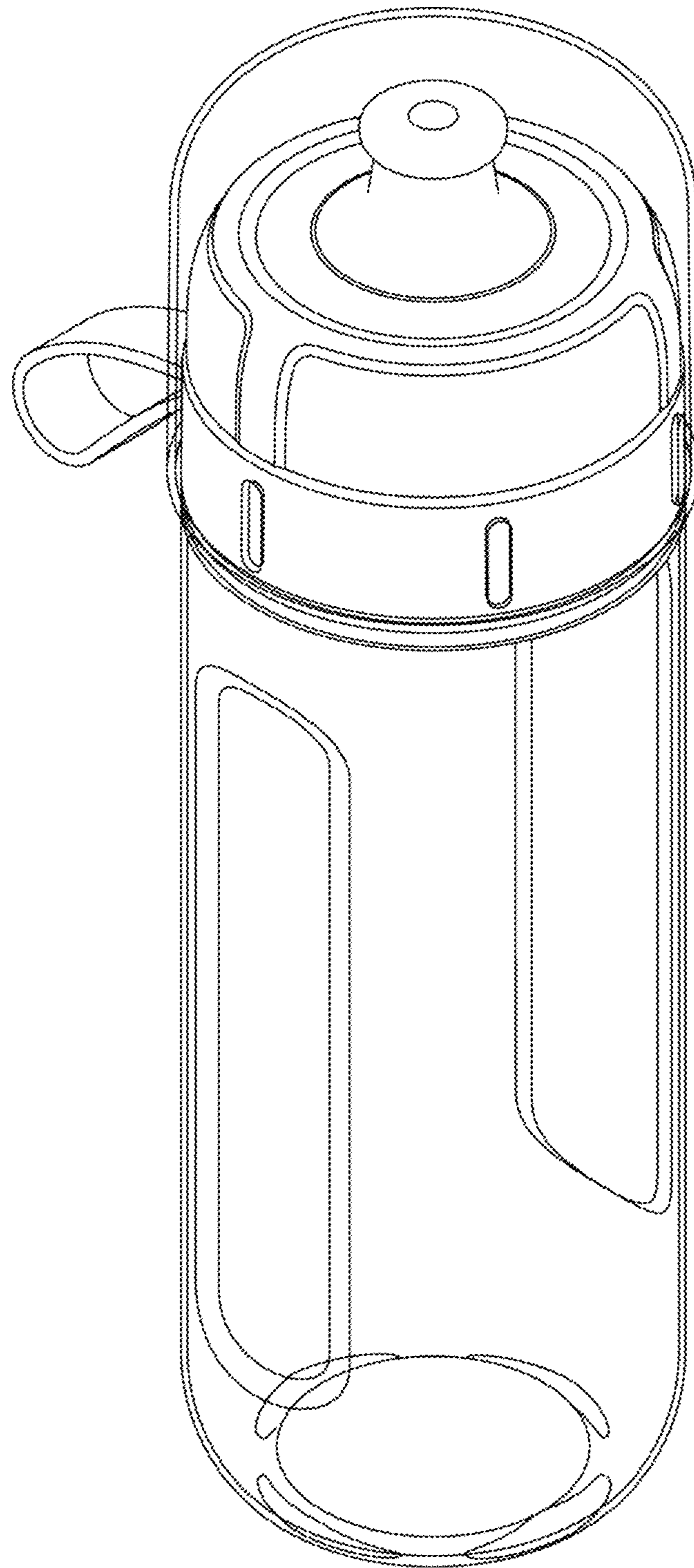
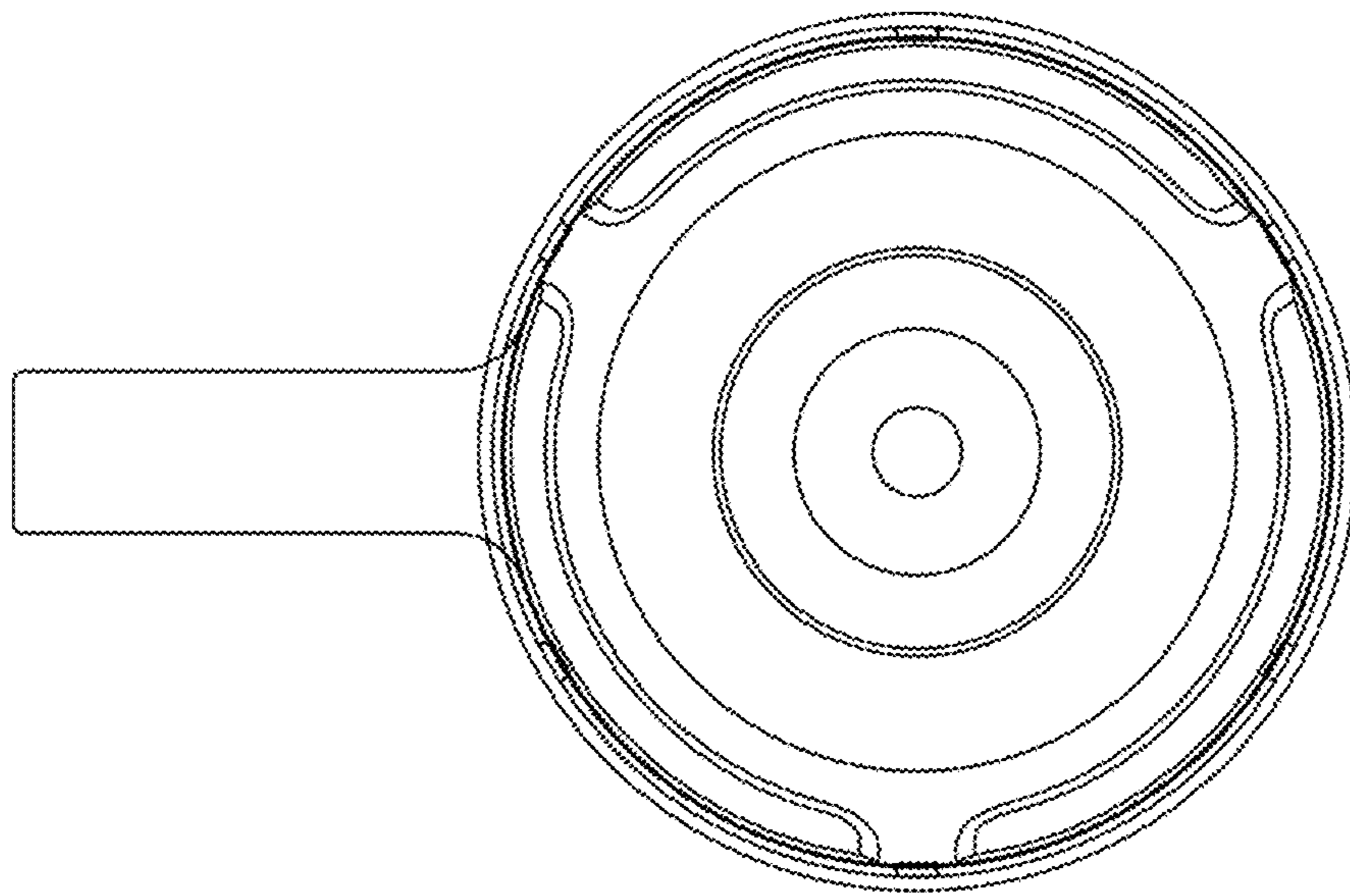
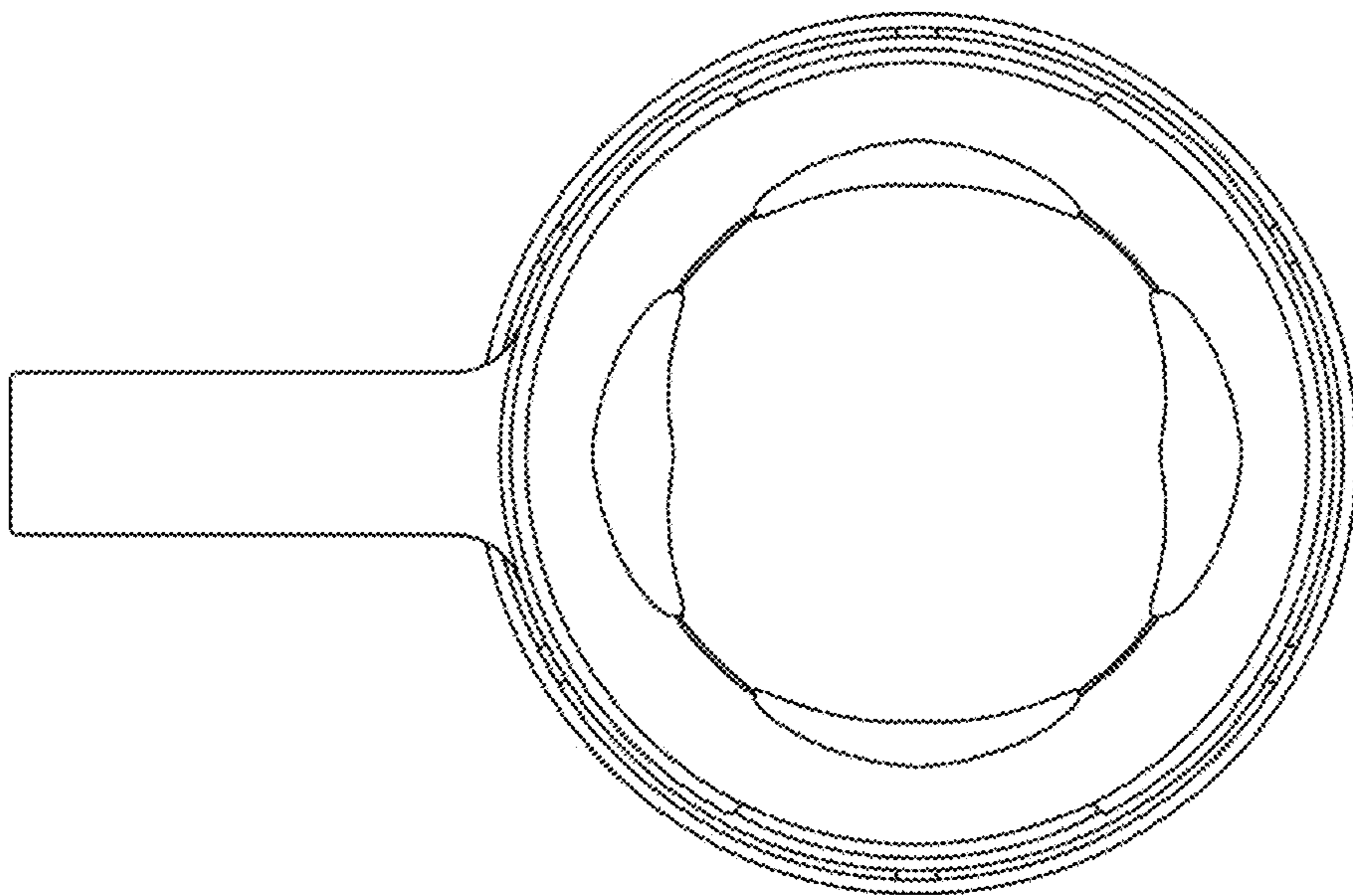


FIG. 1



**FIG. 2**



**FIG. 3**

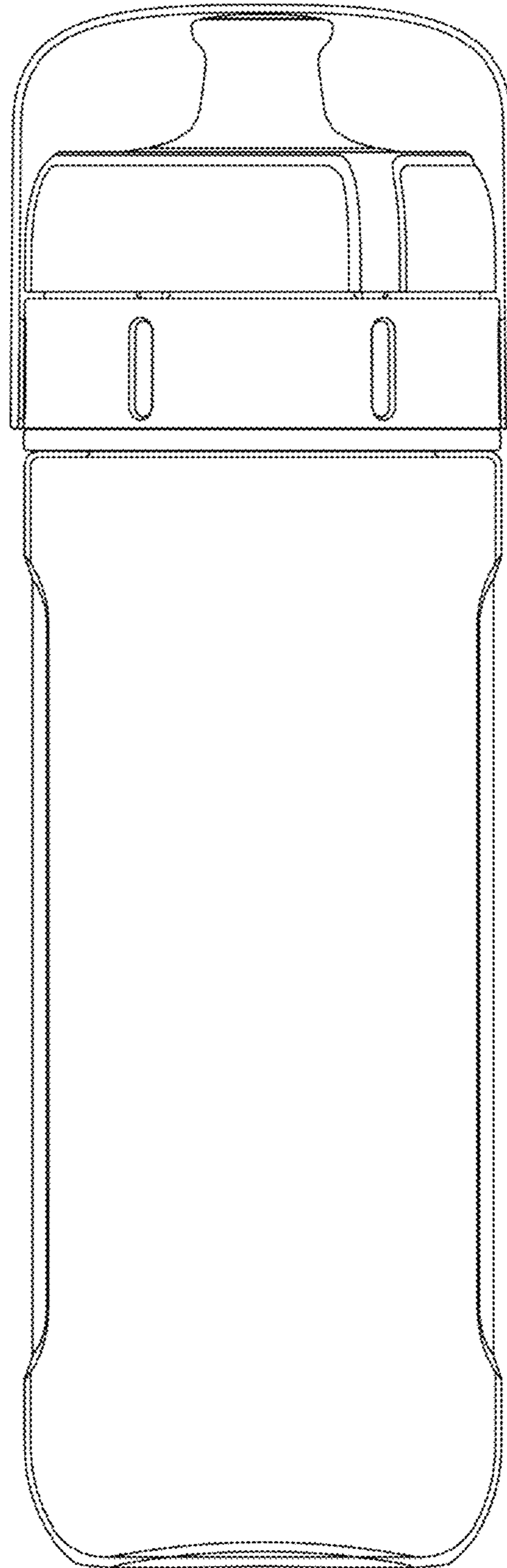


FIG. 4

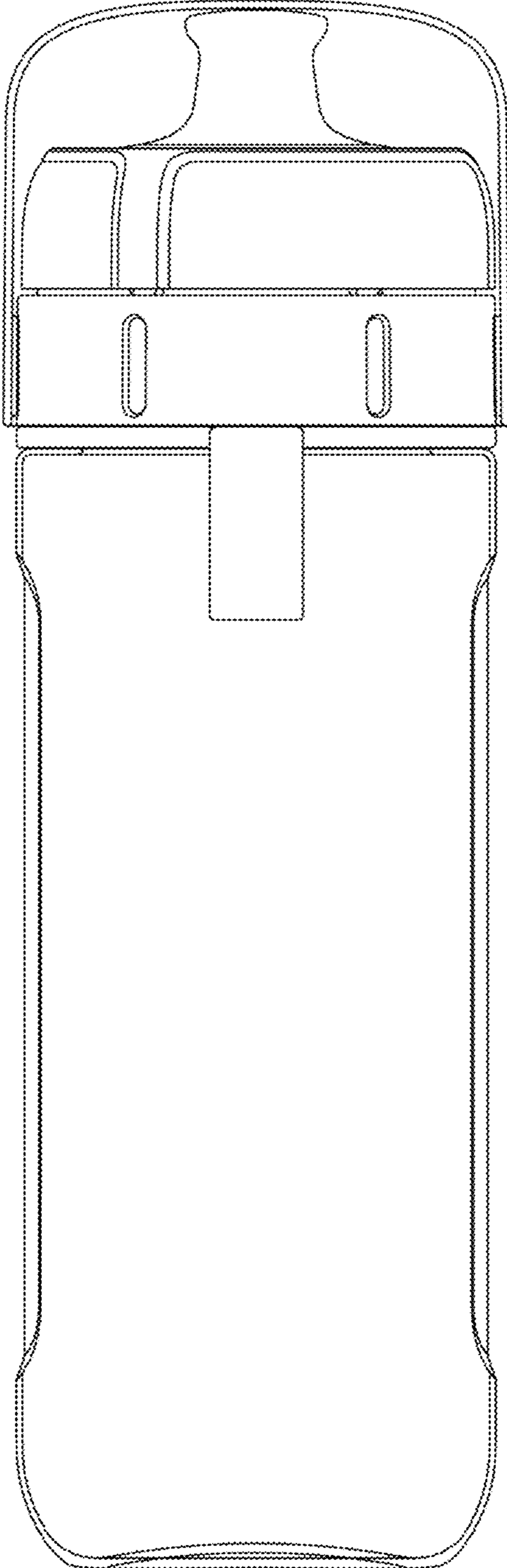


FIG. 5

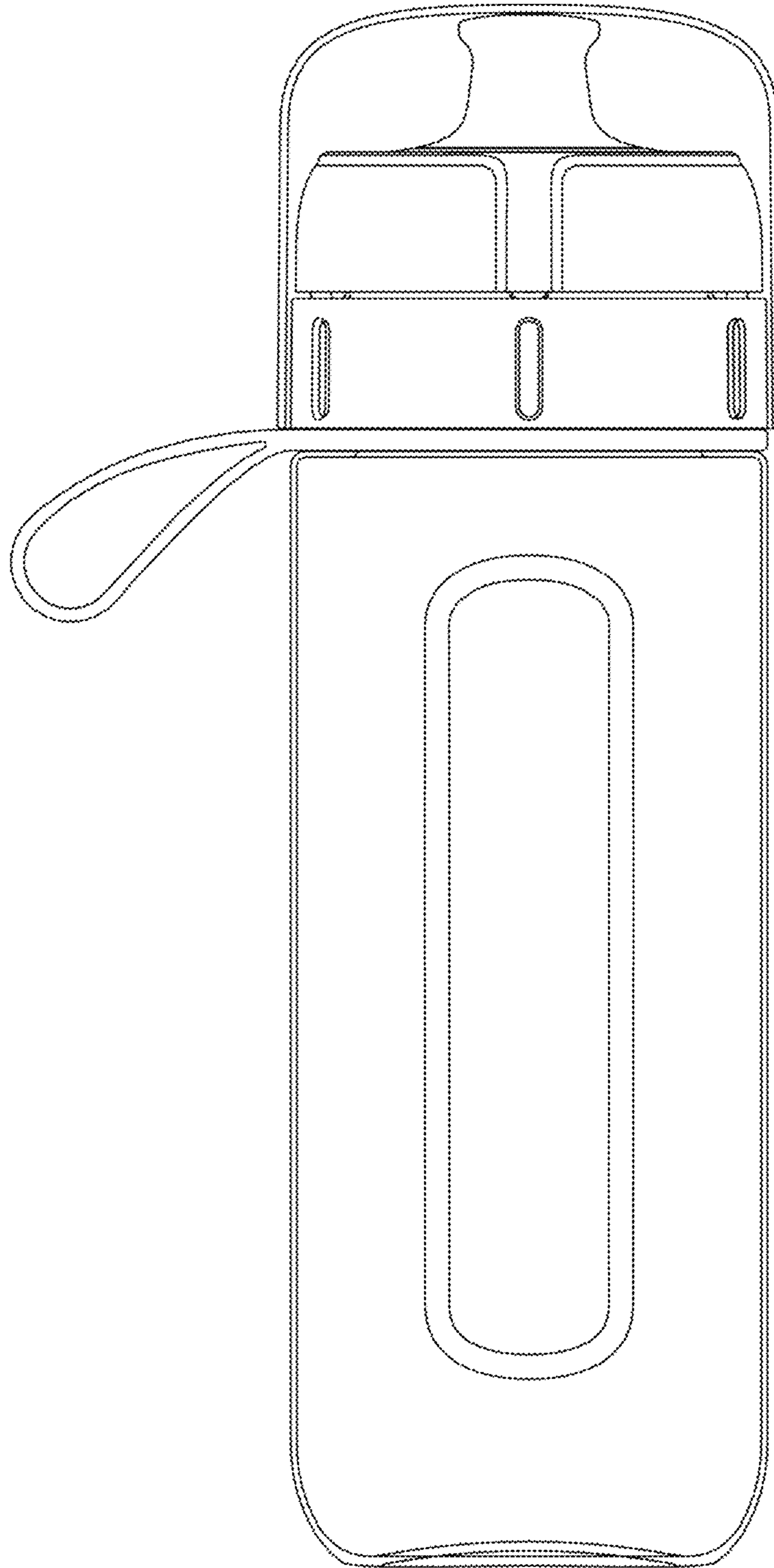


FIG. 6

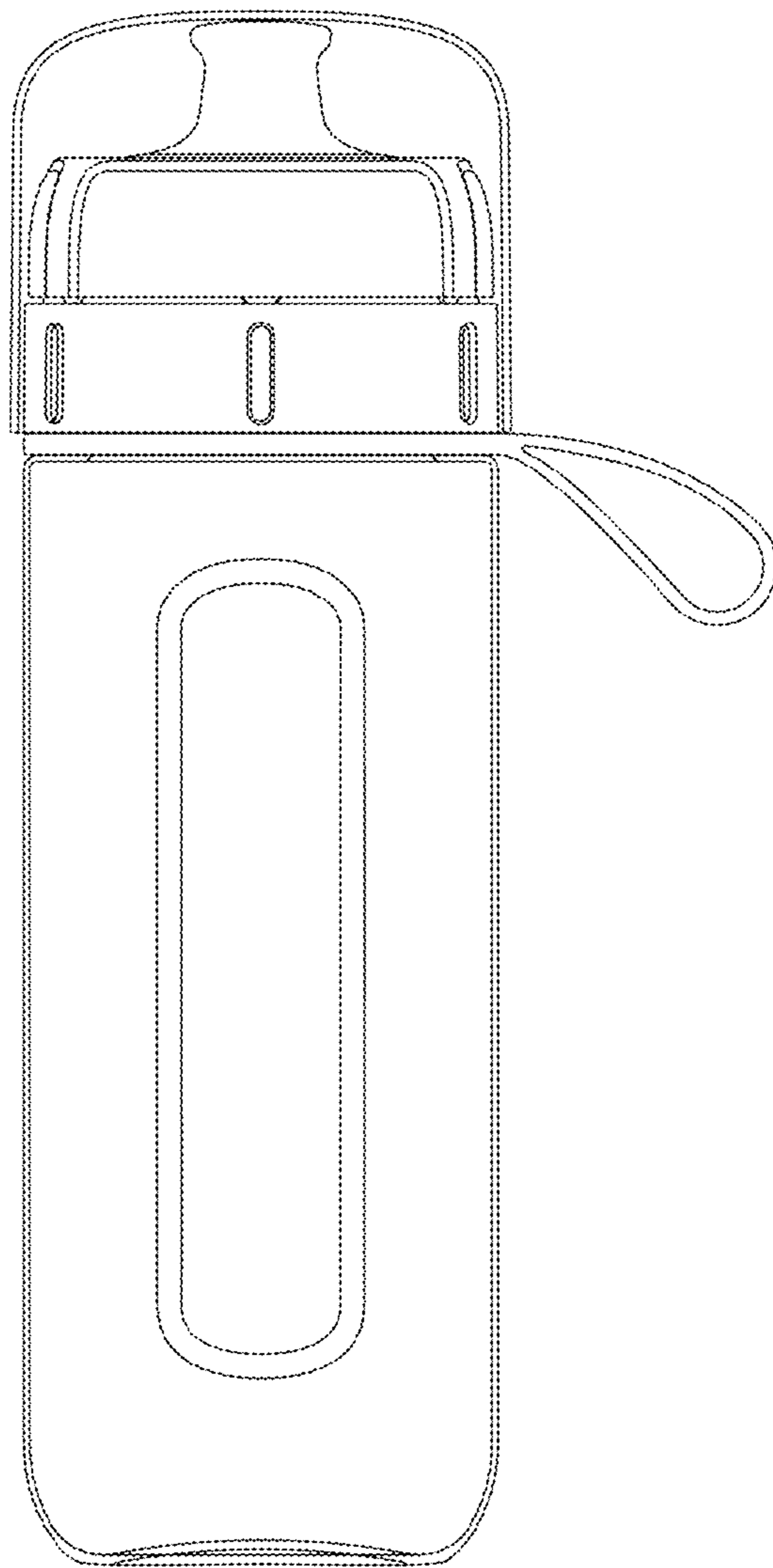


FIG. 7