



US00D793163S

(12) **United States Design Patent** (10) **Patent No.:** **US D793,163 S**  
**Goldmeier** (45) **Date of Patent:** **\*\* Aug. 1, 2017**

(54) **PITA, HOT DOG OR SANDWICH PLATE**

D574,187 S \* 8/2008 Jarratt ..... D7/504  
7,565,864 B2 \* 7/2009 Hart ..... A47J 43/18

(71) Applicant: **Daniel Uri Goldmeier**, Hod HaSharon (IL)

D613,119 S \* 4/2010 Gatto ..... D7/504

D636,226 S \* 4/2011 Curtis ..... D7/504

D752,392 S \* 3/2016 Maas ..... D7/553.1

D779,270 S \* 2/2017 Hogan ..... D7/504

2004/0222228 A1 \* 11/2004 Price ..... A47G 19/30  
220/574

(72) Inventor: **Daniel Uri Goldmeier**, Hod HaSharon (IL)

(\*\*) Term: **15 Years**

\* cited by examiner

(21) Appl. No.: **29/535,801**

*Primary Examiner* — Cynthia Underwood

(22) Filed: **Aug. 10, 2015**

(74) *Attorney, Agent, or Firm* — Symbus Law Group, LLC; Clifford D. Hyra

(51) **LOC (10) Cl.** ..... **07-01**

(52) **U.S. Cl.**

(57) **CLAIM**

USPC ..... **D7/504**; D7/555

The ornamental design for a pita, hot dog or sandwich plate, as shown and described.

(58) **Field of Classification Search**

USPC ..... D7/555, 500, 504, 553.6

CPC ..... A47J 43/18; A47G 19/30; A47G 19/02

See application file for complete search history.

**DESCRIPTION**

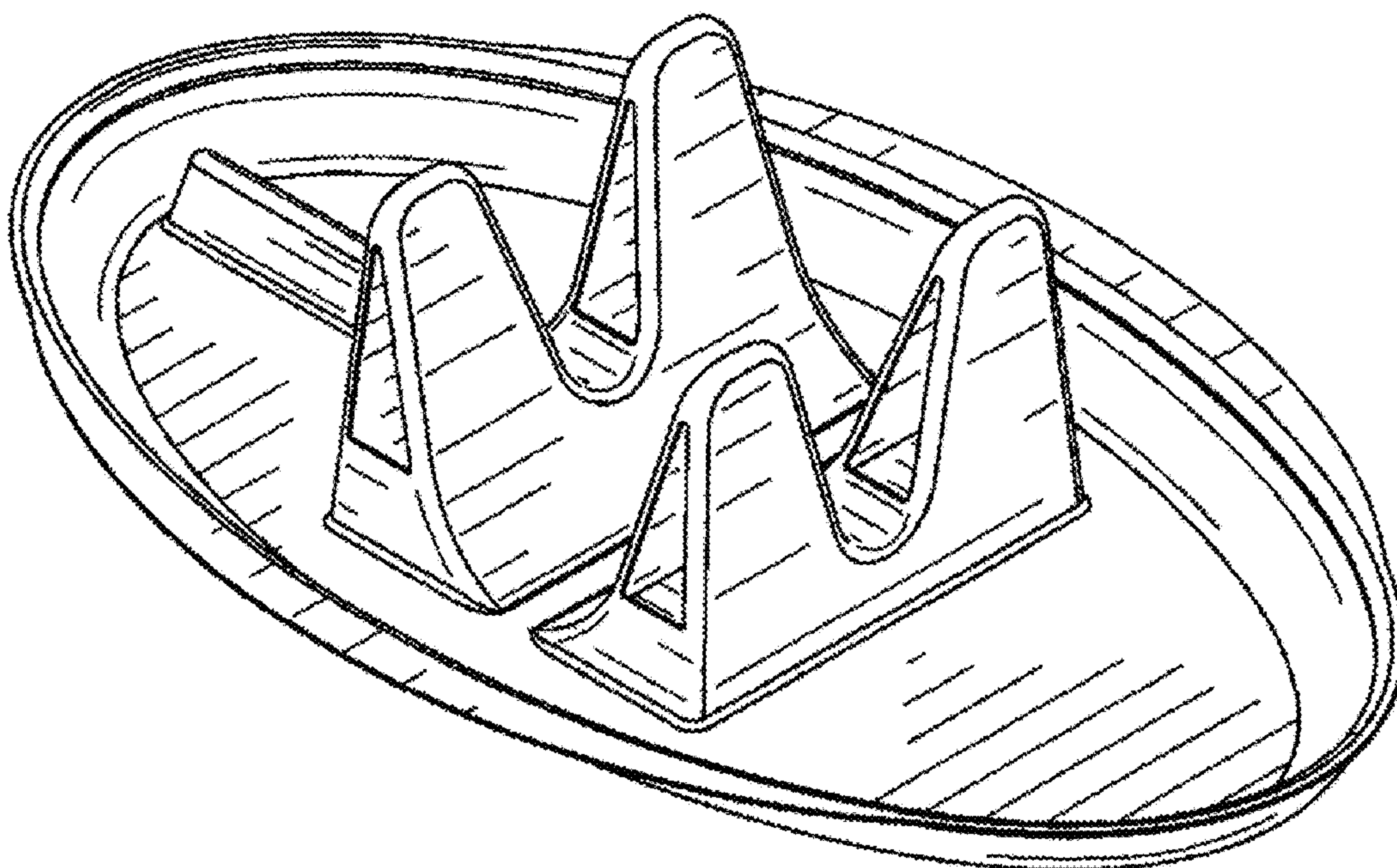
(56) **References Cited**

FIG. 1 is a top, front and left side perspective view of a first embodiment of a pita, hot dog or sandwich plate.  
FIG. 2 is a top, rear and left side perspective view thereof.  
FIG. 3 is a bottom, rear and left side view thereof.  
FIG. 4 is a bottom, rear and right side view thereof.  
FIG. 5 is a front view thereof.  
FIG. 6 is a rear view thereof.  
FIG. 7 is a right side view thereof.  
FIG. 8 is left side view thereof.  
FIG. 9 is a top view thereof; and,  
FIG. 10 is a bottom view thereof.

**U.S. PATENT DOCUMENTS**

D270,130 S \* 8/1983 Fox ..... D7/553.3  
D362,785 S \* 10/1995 Smith ..... D7/504  
D363,413 S \* 10/1995 Smith ..... D7/504  
5,558,253 A \* 9/1996 Malvasio ..... A47G 19/02  
220/556  
D401,113 S \* 11/1998 Hall ..... D7/504  
D428,809 S \* 8/2000 Adair ..... D7/504  
D539,606 S \* 4/2007 Whittington ..... D7/504  
D545,127 S \* 6/2007 Fife ..... D7/504  
D563,166 S \* 3/2008 Woolfolk ..... D7/504

**1 Claim, 5 Drawing Sheets**



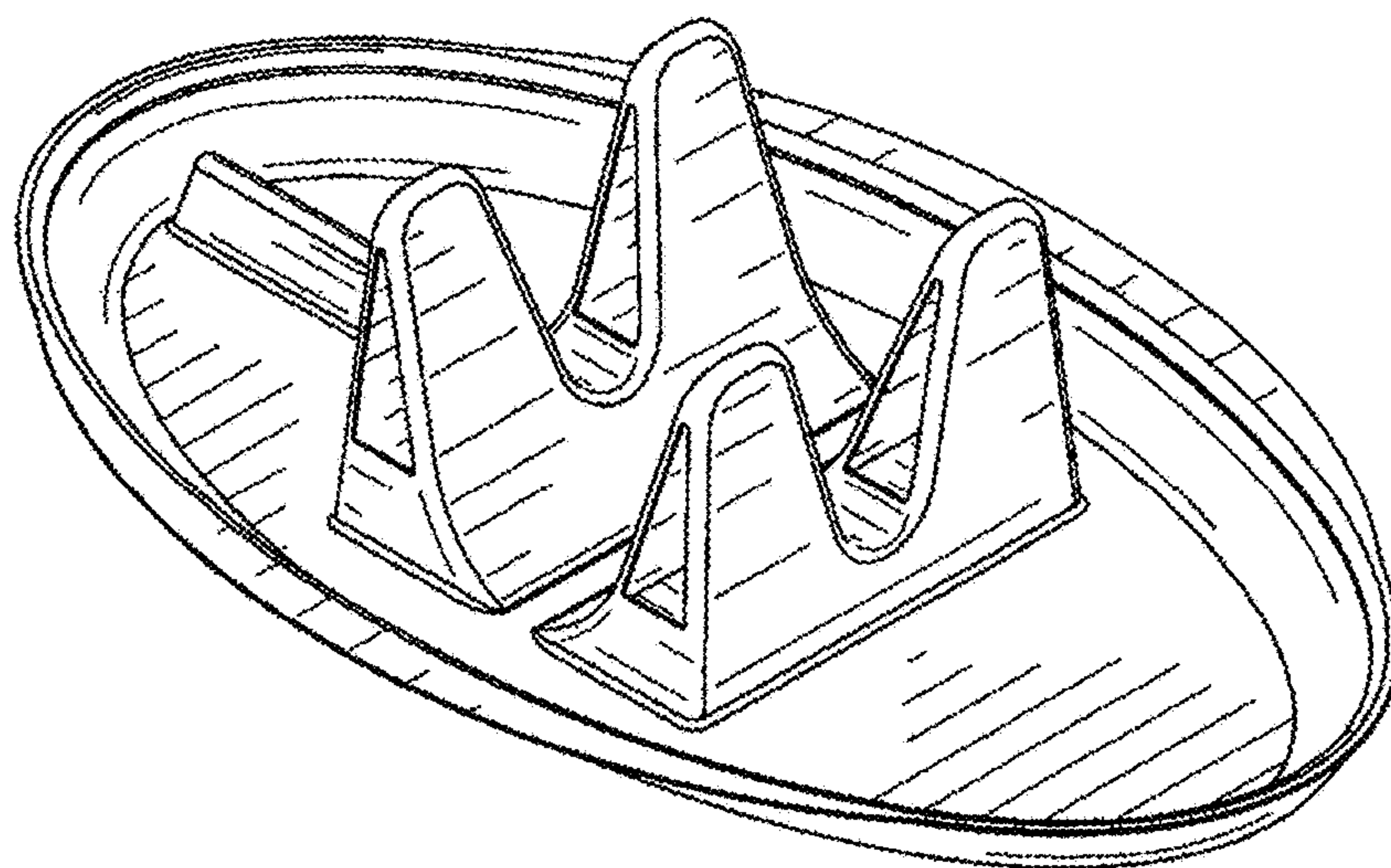


FIG.1

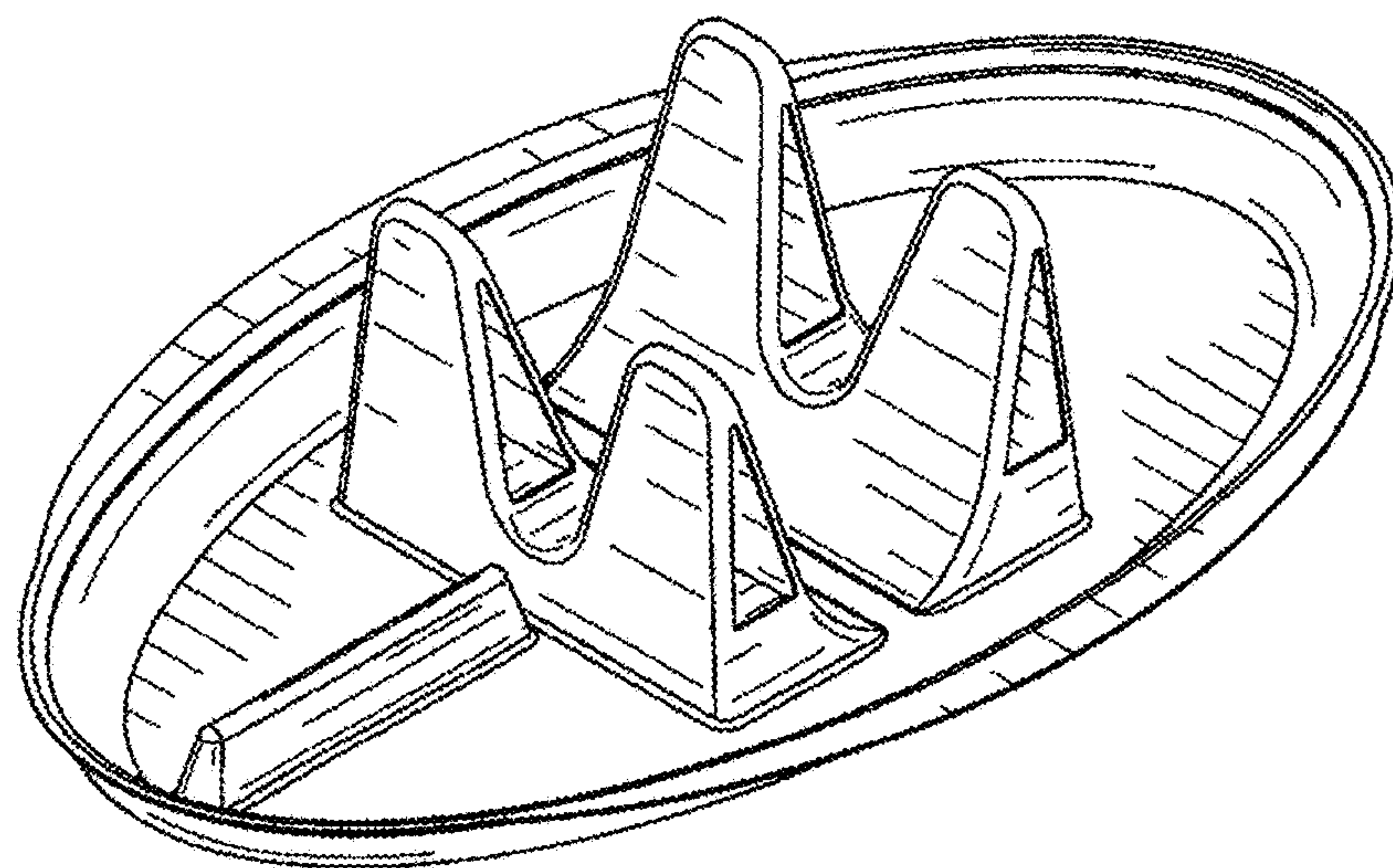


FIG.2



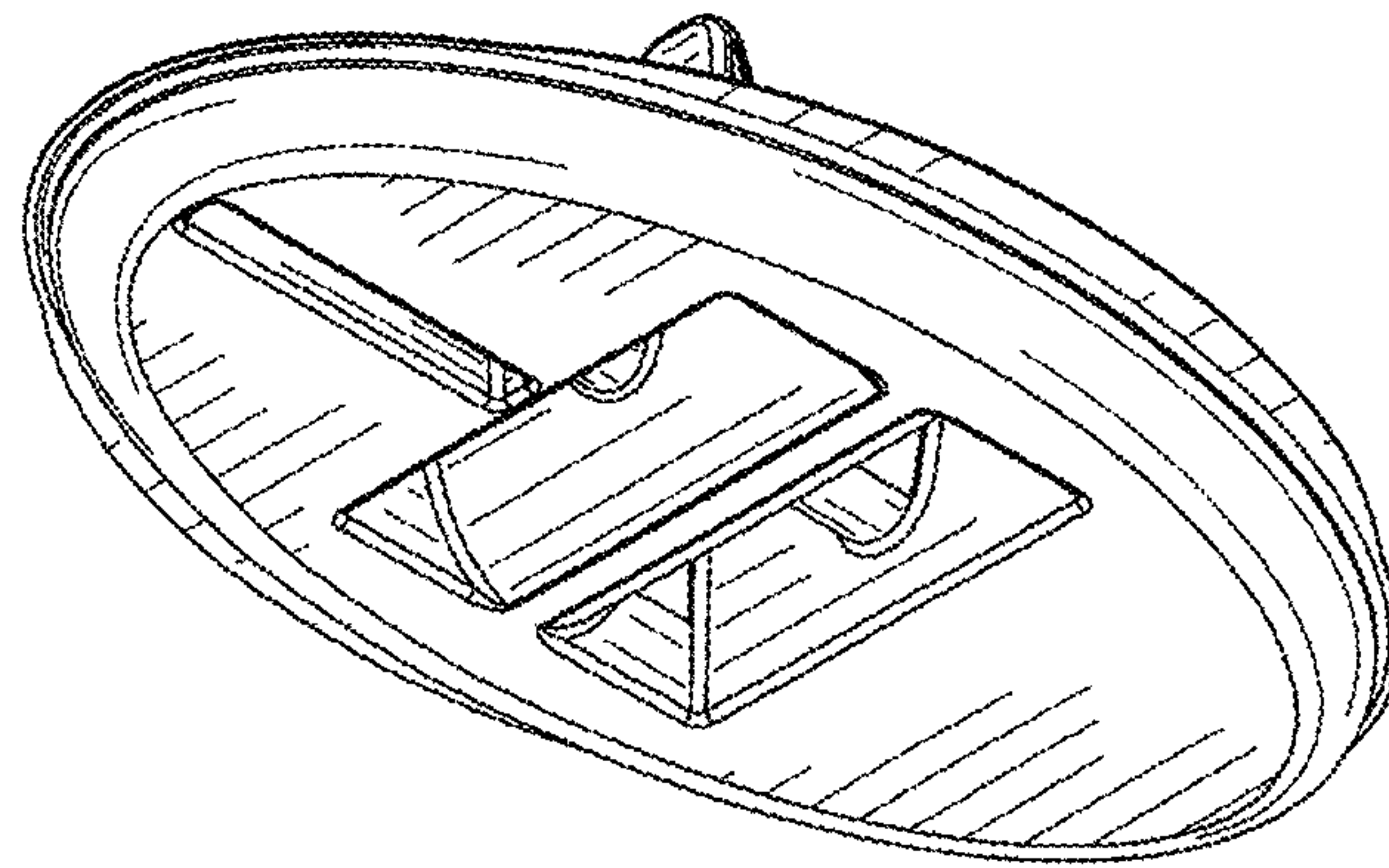


FIG. 3

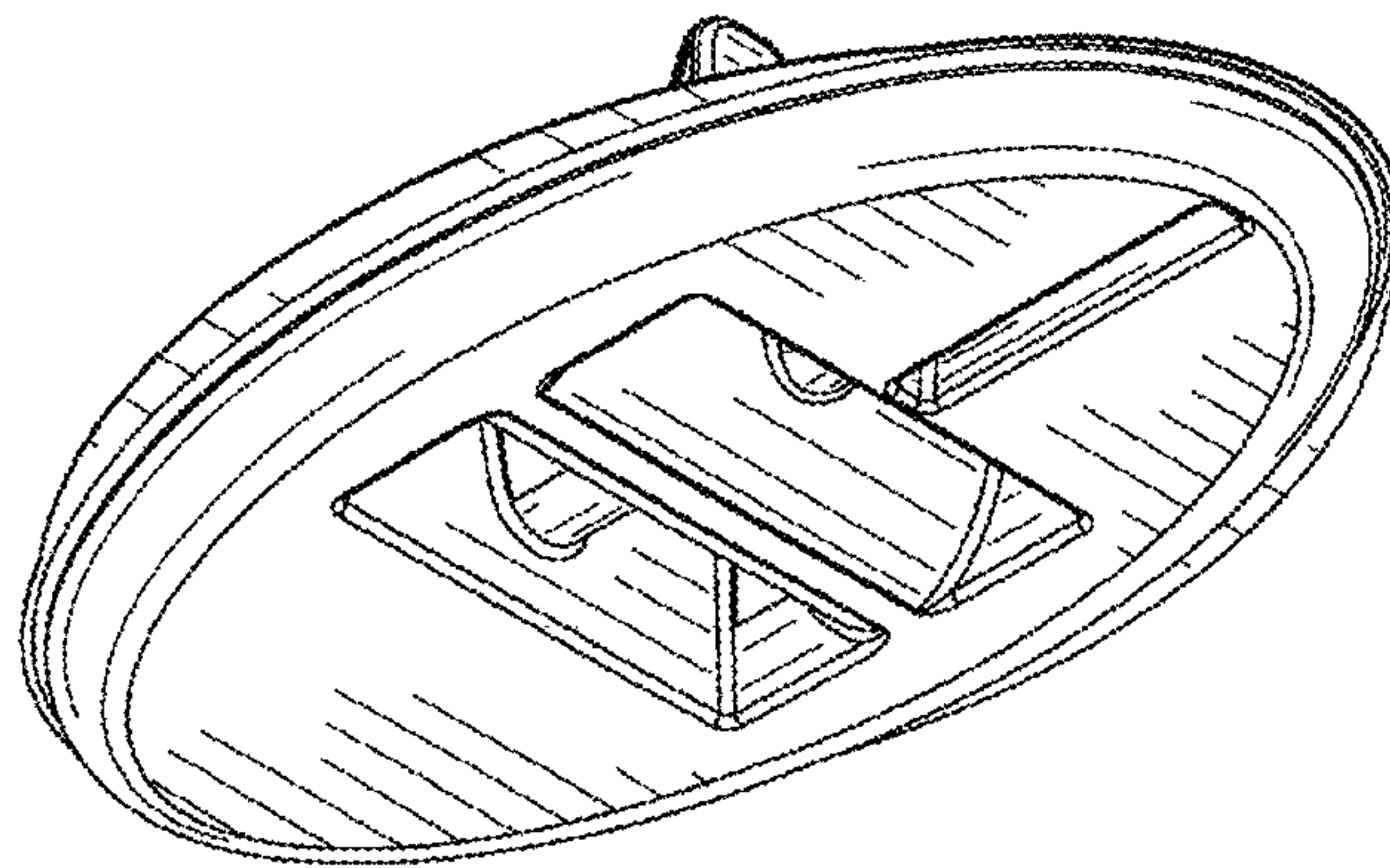


FIG. 4

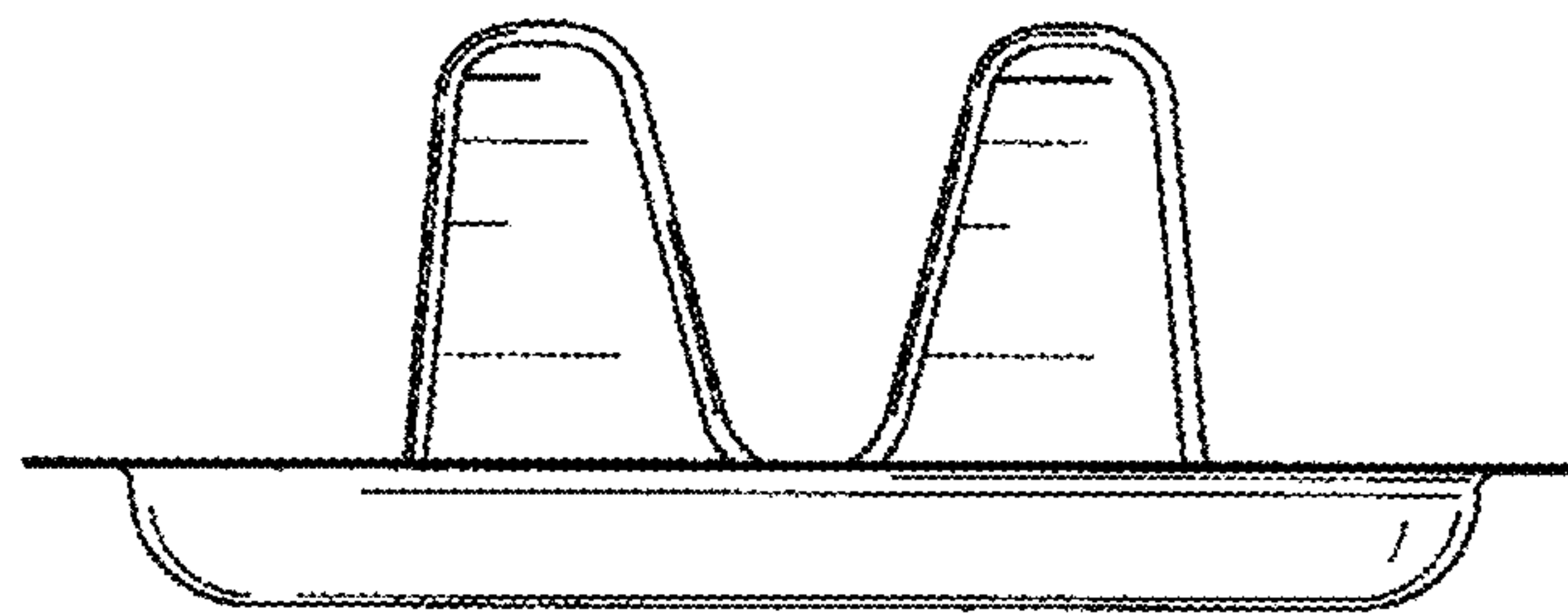


FIG. 5

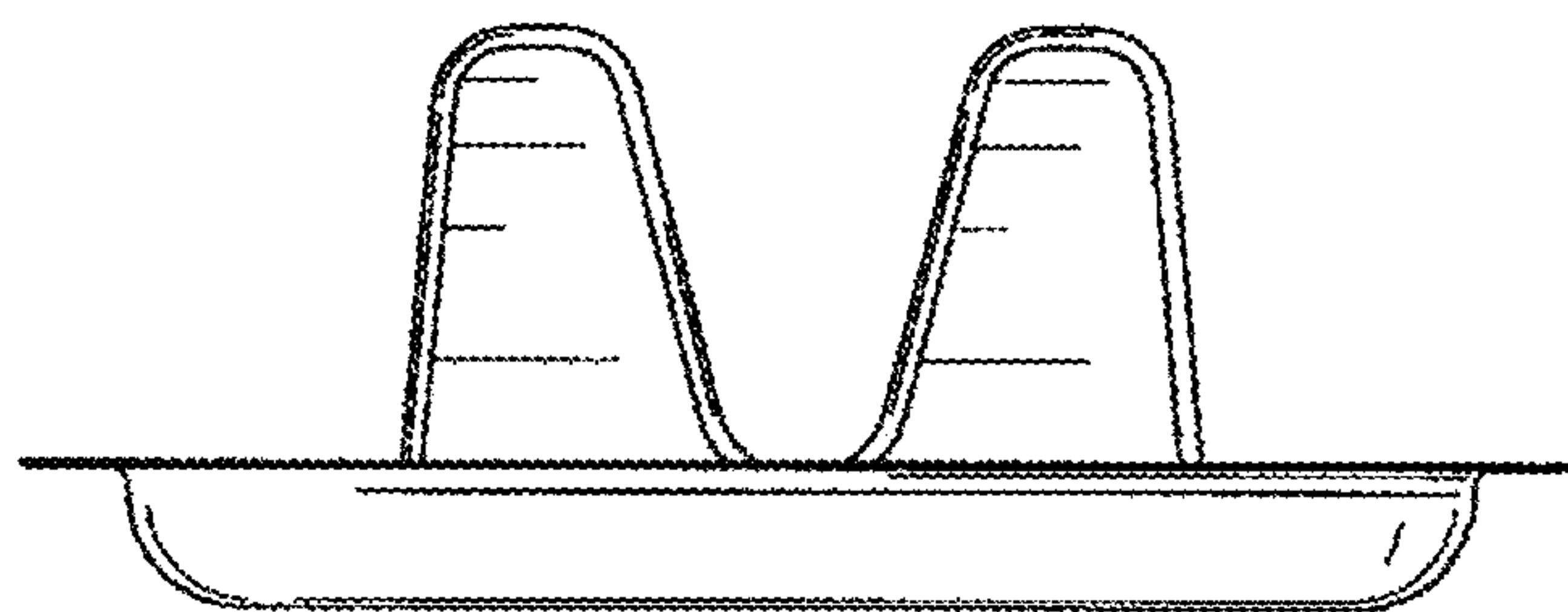


FIG. 6

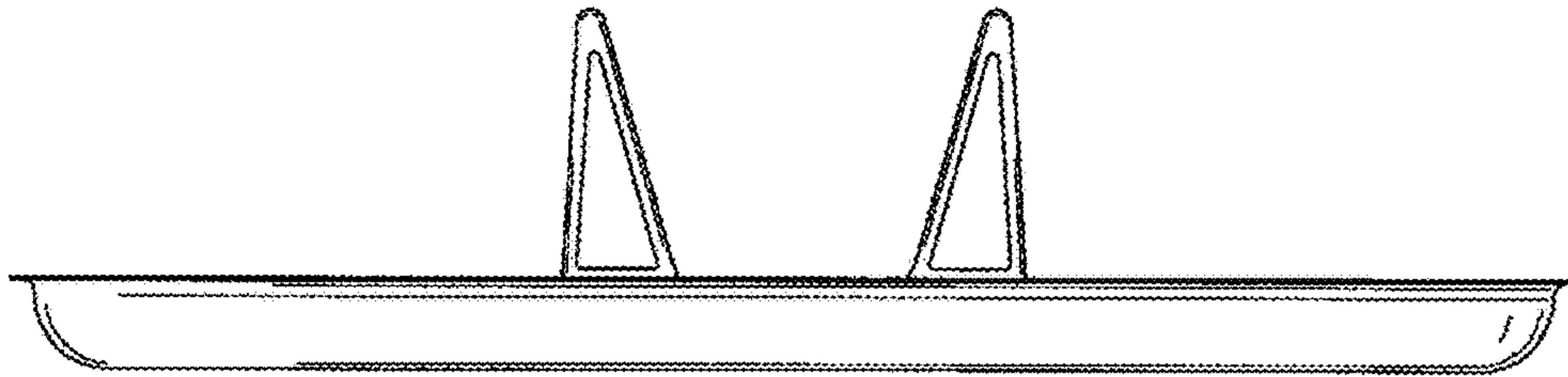


FIG. 7

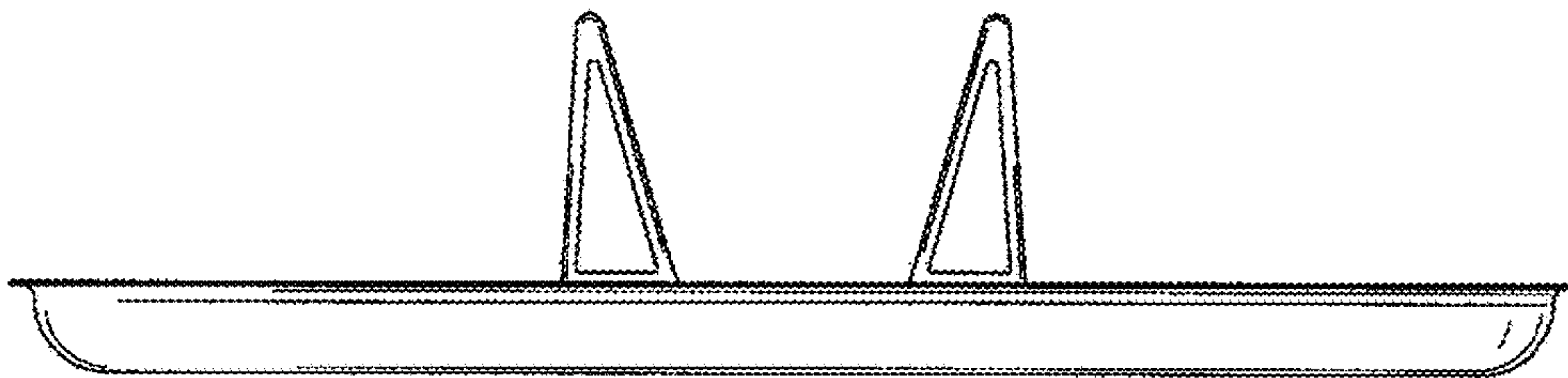


FIG. 8

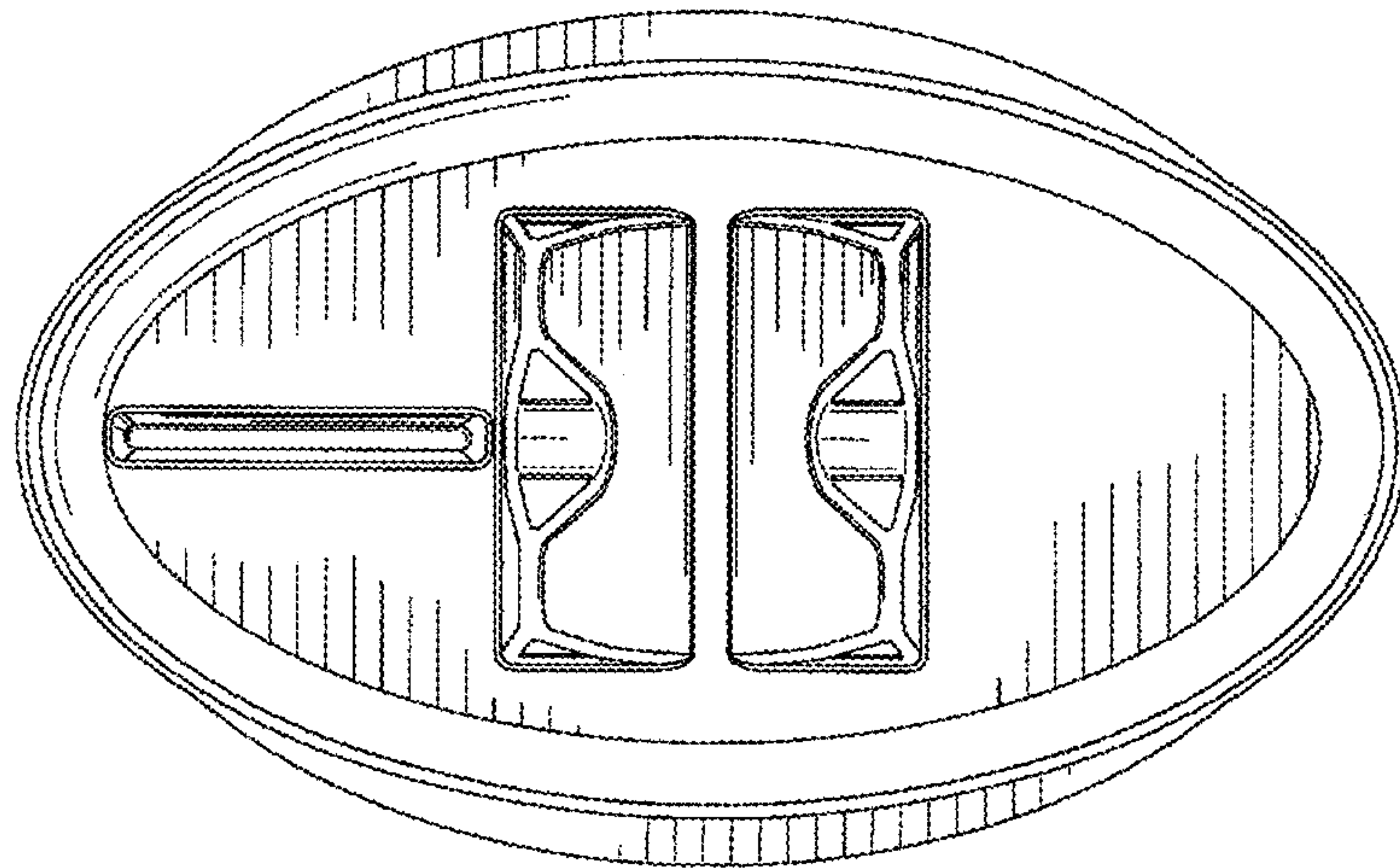


FIG. 9

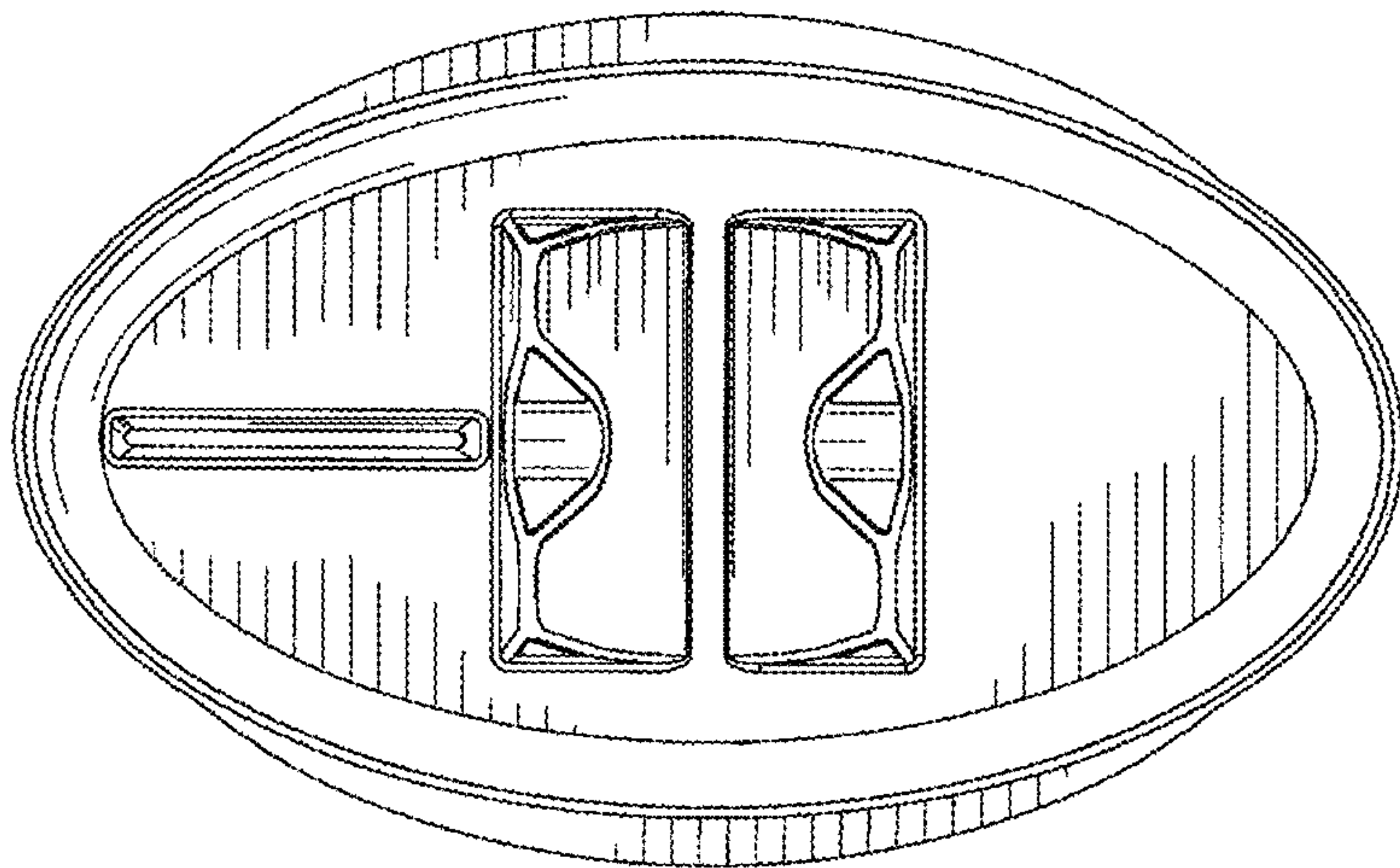


FIG. 10