

US00D793162S

(12) **United States Design Patent** (10) **Patent No.:** **US D793,162 S**
Hamlin (45) **Date of Patent:** **** Aug. 1, 2017**

- (54) **GRILL PLATE ATTACHMENT FOR A GRIDDLE GRATE**
- (71) Applicant: **Edward W. Hamlin**, Altamonte Springs, FL (US)
- (72) Inventor: **Edward W. Hamlin**, Altamonte Springs, FL (US)
- (**) Term: **15 Years**
- (21) Appl. No.: **29/576,752**
- (22) Filed: **Sep. 7, 2016**
- (51) **LOC (10) Cl.** **07-02**
- (52) **U.S. Cl.**
USPC **D7/409**
- (58) **Field of Classification Search**
USPC D7/402-409, 354-361, 339, 352,
D7/410-411, 390, 328, 552.1, 554.3,
D7/554.4
CPC .. A47J 37/0694; A47J 37/067; A47J 37/0731;
F24C 15/16; F24C 15/14
See application file for complete search history.

- D432,357 S * 10/2000 Nilsson D7/409
- 6,131,506 A * 10/2000 Kemper A47J 37/0694
99/425
- D539,076 S * 3/2007 Rapaz D7/354
- D594,276 S * 6/2009 Hamlin D7/402
- D628,015 S * 11/2010 Baacke D7/402
- D690,555 S * 10/2013 Feltner D7/406
- D784,077 S * 4/2017 Zemel D7/354
- 2006/0151471 A1 * 7/2006 Jang A47J 37/067
219/450.1

* cited by examiner

Primary Examiner — Sheryl Lane
Assistant Examiner — Nicole Shiflet
(74) *Attorney, Agent, or Firm* — William M. Hobby, III

(57) **CLAIM**

The ornamental design for a grill plate attachment for a griddle grate, as shown and described.

DESCRIPTION

FIG. 1 is a top right-side perspective of a grill plate attachment for a griddle grate showing my new design; FIG. 2 is a bottom left-side perspective view thereof; FIG. 3 is a front side elevation thereof; FIG. 4 is a rear side elevation thereof; FIG. 5 is a right side elevation thereof, the left side being identical thereto; FIG. 6 is a top plan view thereof; and, FIG. 7 is a bottom plan view thereof.

1 Claim, 3 Drawing Sheets

- (56) **References Cited**
U.S. PATENT DOCUMENTS
D227,132 S * 6/1973 Kelly 99/425
D390,062 S * 2/1998 Bohannon D7/359
6,087,634 A * 7/2000 Cook F24C 15/16
219/392

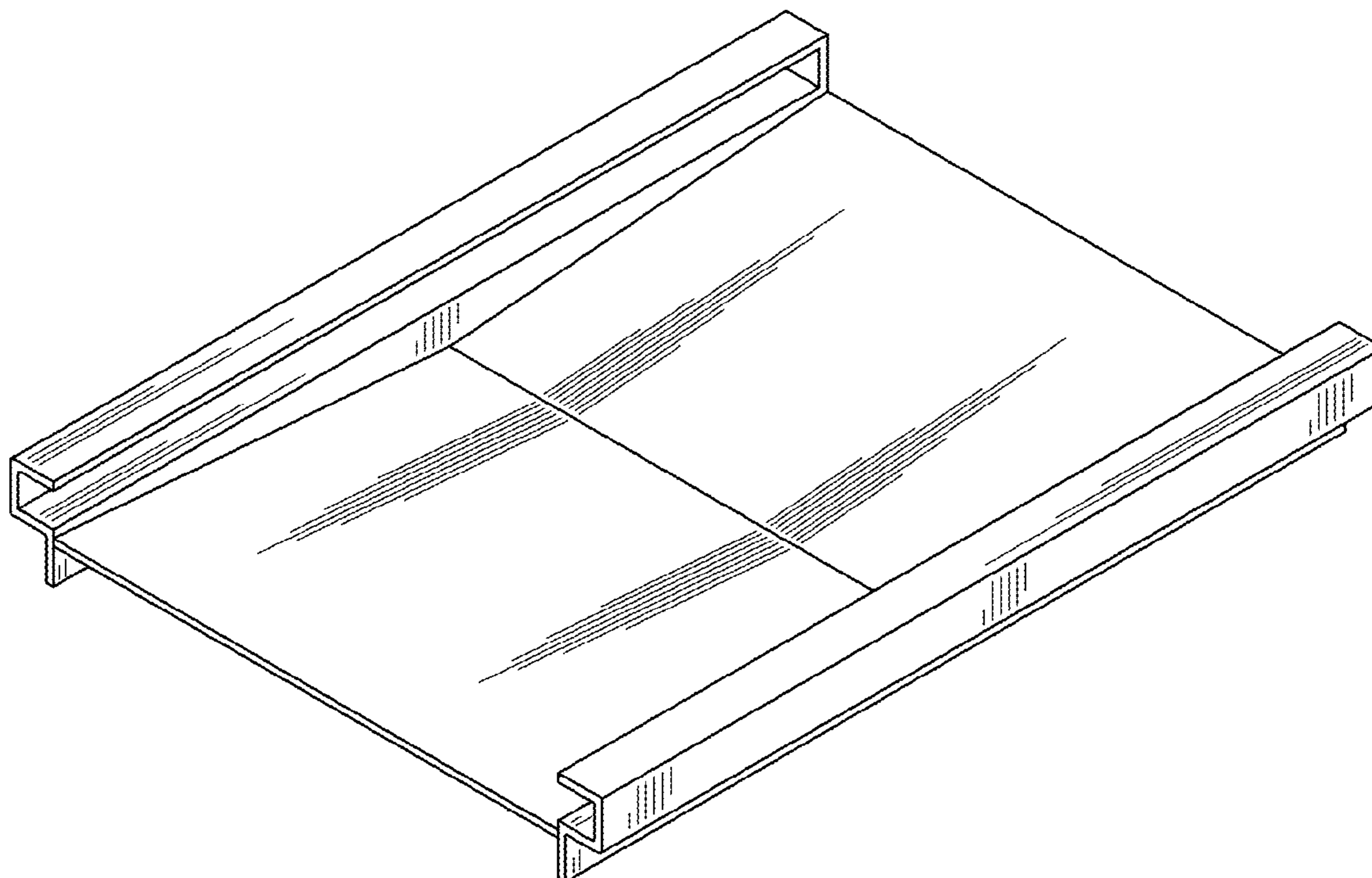


FIG. 1

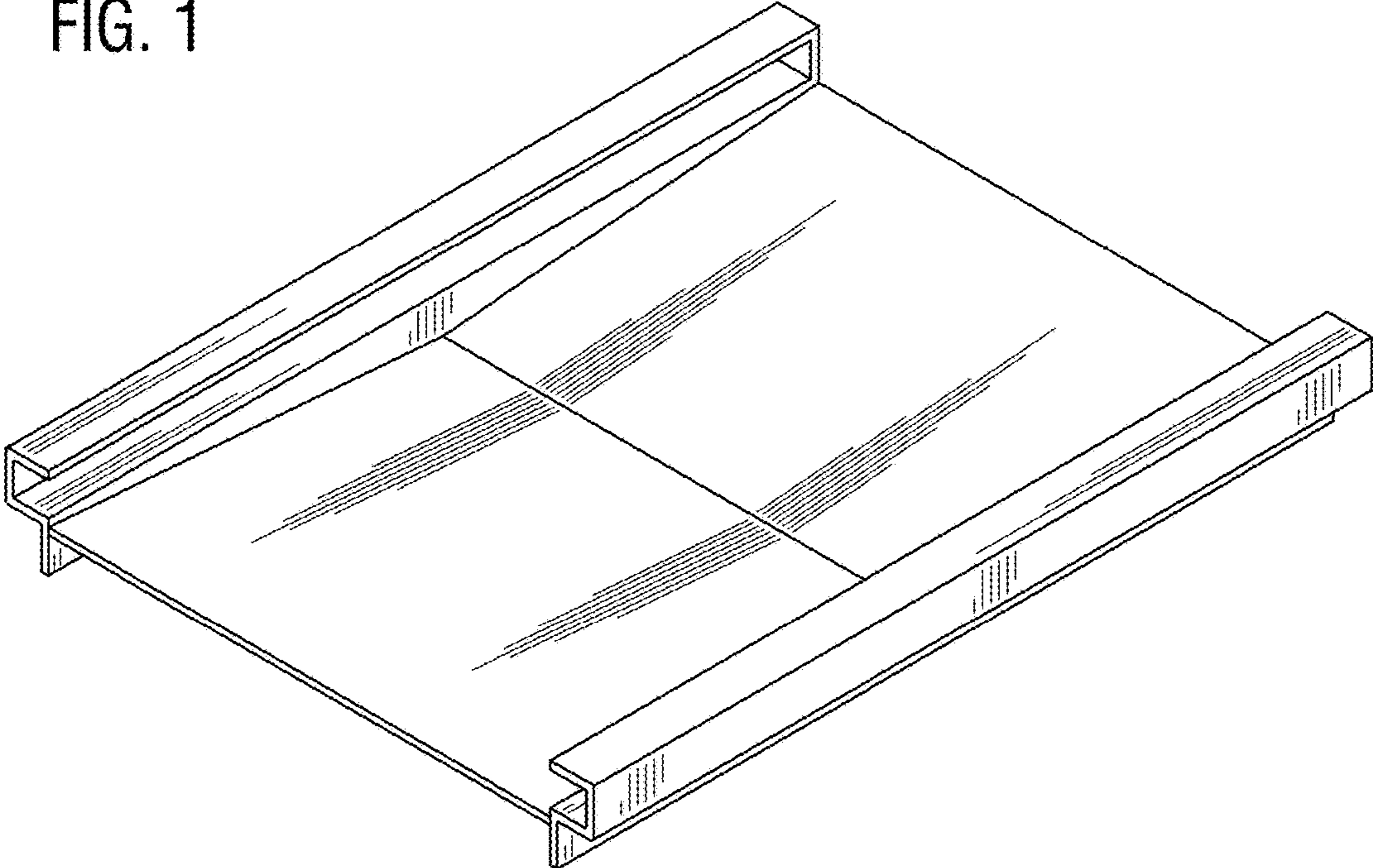


FIG. 2

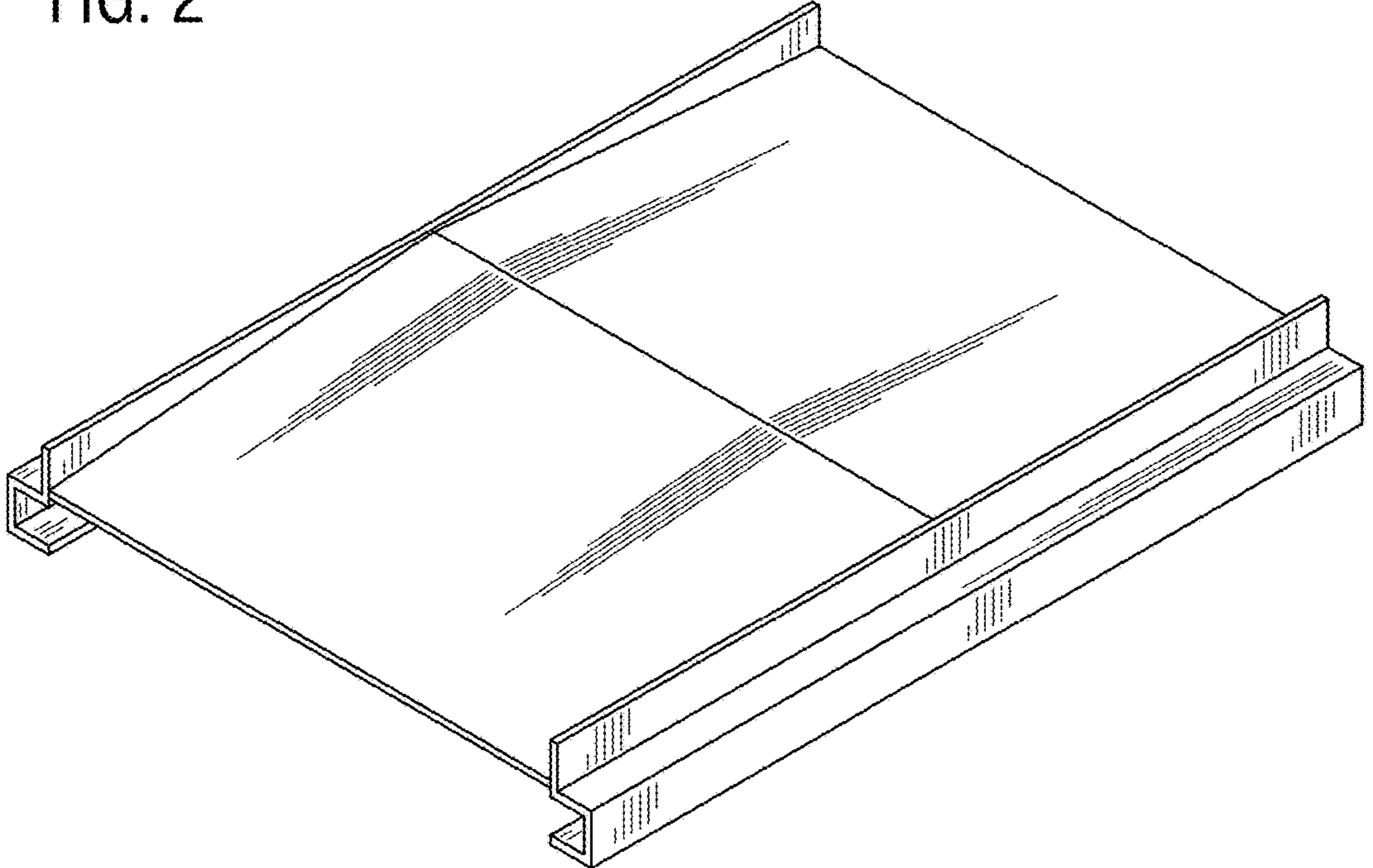


FIG. 3

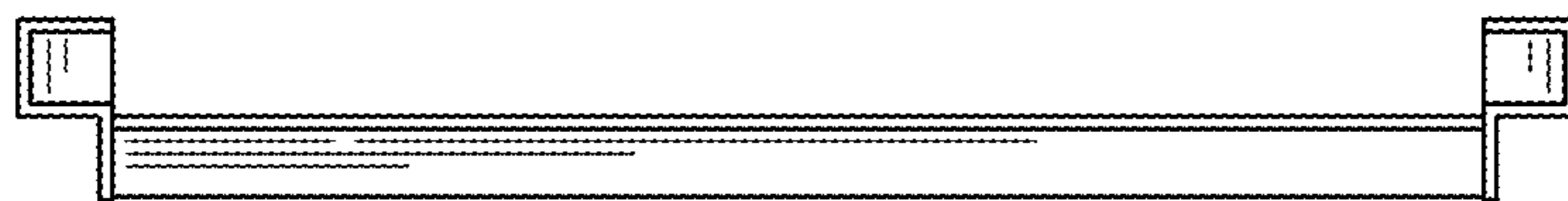


FIG. 4



FIG. 5



FIG. 6

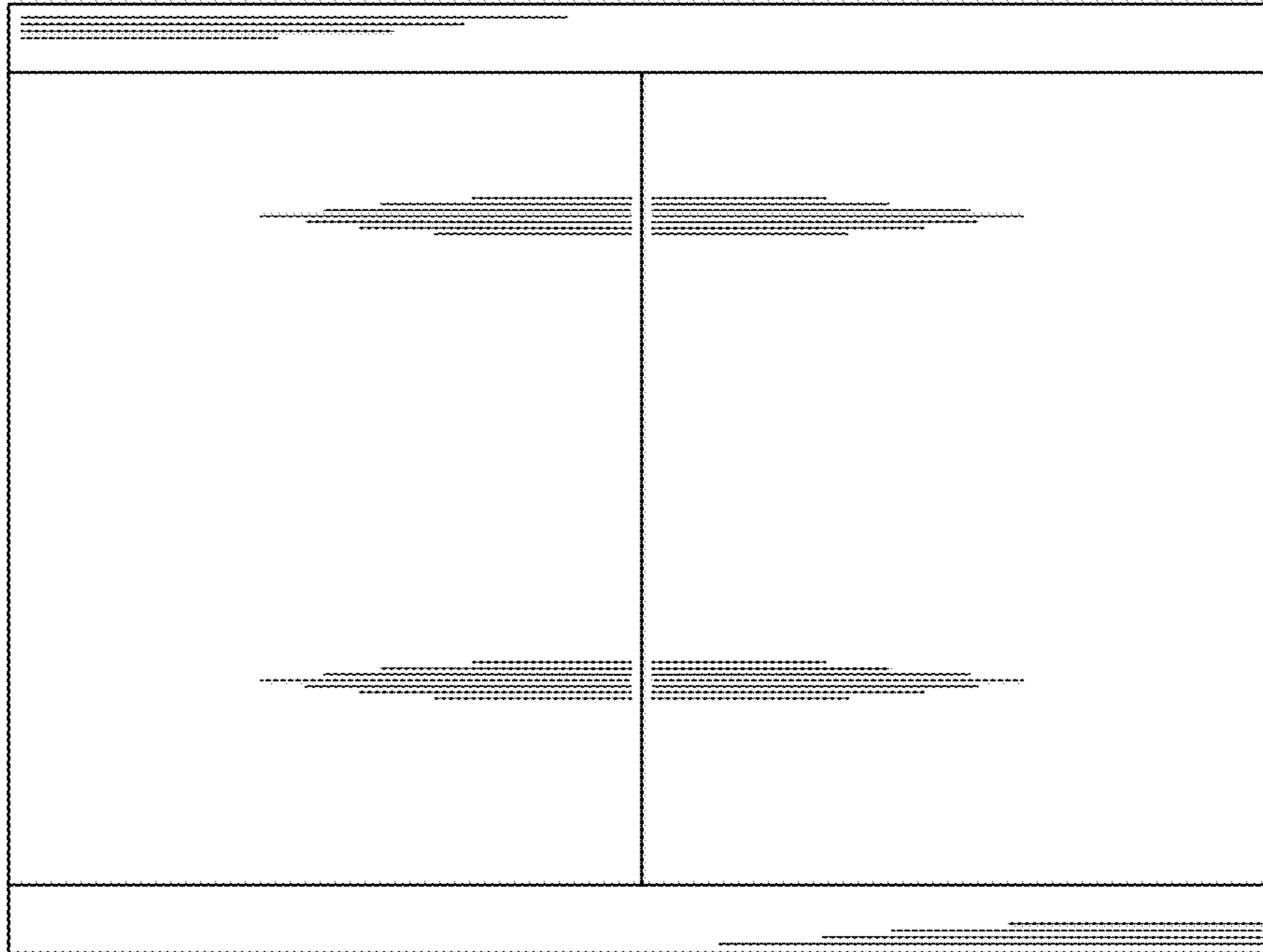


FIG. 7

