



US00D793160S

(12) **United States Design Patent**
Cho et al.

(10) **Patent No.:** **US D793,160 S**

(45) **Date of Patent:** **** Aug. 1, 2017**

- (54) **GRATE FOR GAS OVEN RANGE**
- (71) Applicant: **LG ELECTRONICS INC.**, Seoul (KR)
- (72) Inventors: **Sangwoog Cho**, Seoul (KR); **Jaehun Chung**, Seoul (KR)
- (73) Assignee: **LG ELECTRONICS INC.**, Seoul (KR)

D429,599 S *	8/2000	Dal Mas	D7/408
D429,955 S *	8/2000	Dal Mas	D7/408
D495,924 S *	9/2004	Becker	F24C 15/107
				D7/346
D502,632 S *	3/2005	Becker	D7/346
D524,601 S *	7/2006	Vetter	F24C 15/107
				D7/408
D628,017 S *	11/2010	Funnell	D7/408
D678,723 S *	3/2013	Funnell, II	D7/408
D684,424 S *	6/2013	Funnell	D7/408
D702,497 S *	4/2014	Funnell, II	D7/408
D722,820 S *	2/2015	Pionek	D7/408

(**) Term: **15 Years**

* cited by examiner

(21) Appl. No.: **29/534,560**

Primary Examiner — Sheryl Lane

(22) Filed: **Jul. 29, 2015**

Assistant Examiner — Nicole Shiflet

(30) **Foreign Application Priority Data**

Feb. 3, 2015 (KR) 30-2015-0005915

(51) **LOC (10) Cl.** **07-02**

(52) **U.S. Cl.**
USPC **D7/408**

(58) **Field of Classification Search**
USPC D7/407-409, 402, 339-341, 346-347, D7/362; D23/397, 402
CPC F24C 15/107; F24C 15/12; F24C 15/36; F24C 3/08; F24C 3/082; F24C 3/085; F24C 7/067; F24C 7/062; F24C 7/082; F24C 7/081; A47J 37/0709
See application file for complete search history.

(56) **References Cited**

U.S. PATENT DOCUMENTS

D209,436 S *	11/1967	Myler	D7/408
D244,664 S *	6/1977	Monnet	D7/337
5,046,477 A *	9/1991	Bennett	F24C 15/107
				126/214 A

(74) *Attorney, Agent, or Firm* — Birch, Stewart, Kolasch & Birch, LLP

(57) **CLAIM**

We claim the ornamental design for a grate for gas oven range, as shown and described.

DESCRIPTION

FIG. 1 is a perspective view of a grate for gas oven range showing our new design;
FIG. 2 is a front elevation view thereof;
FIG. 3 is a rear elevation view thereof;
FIG. 4 is a left-side elevation view thereof;
FIG. 5 is a right-side elevation view thereof;
FIG. 6 is a top plan view thereof;
FIG. 7 is a bottom plan view thereof; and,
FIG. 8 is a perspective view of a gas oven range placing a grate thereon.
The broken lines in the drawing figures are included for the purpose of illustrating environment and form no part of the claimed design.

1 Claim, 5 Drawing Sheets

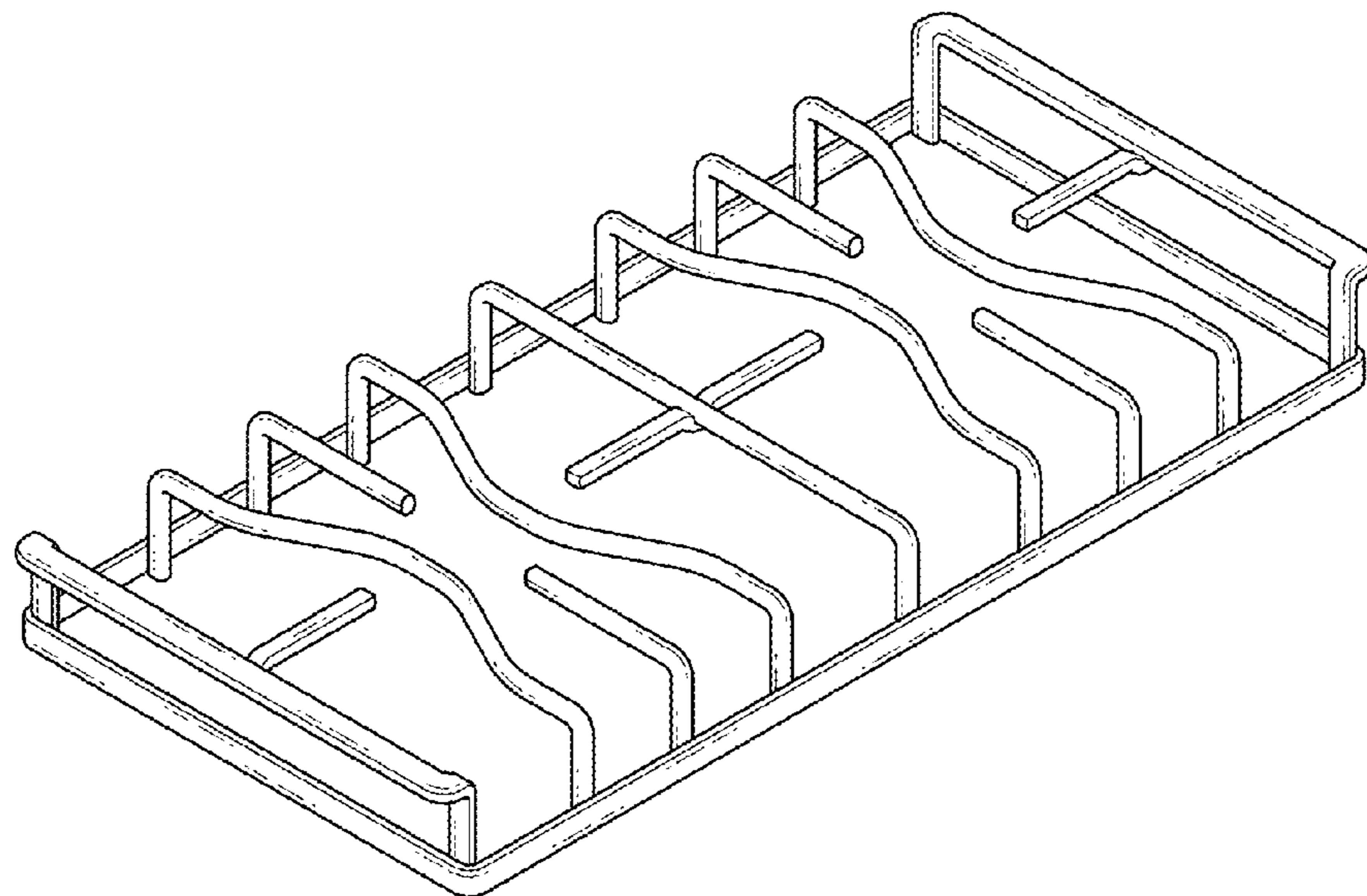


FIG. 1

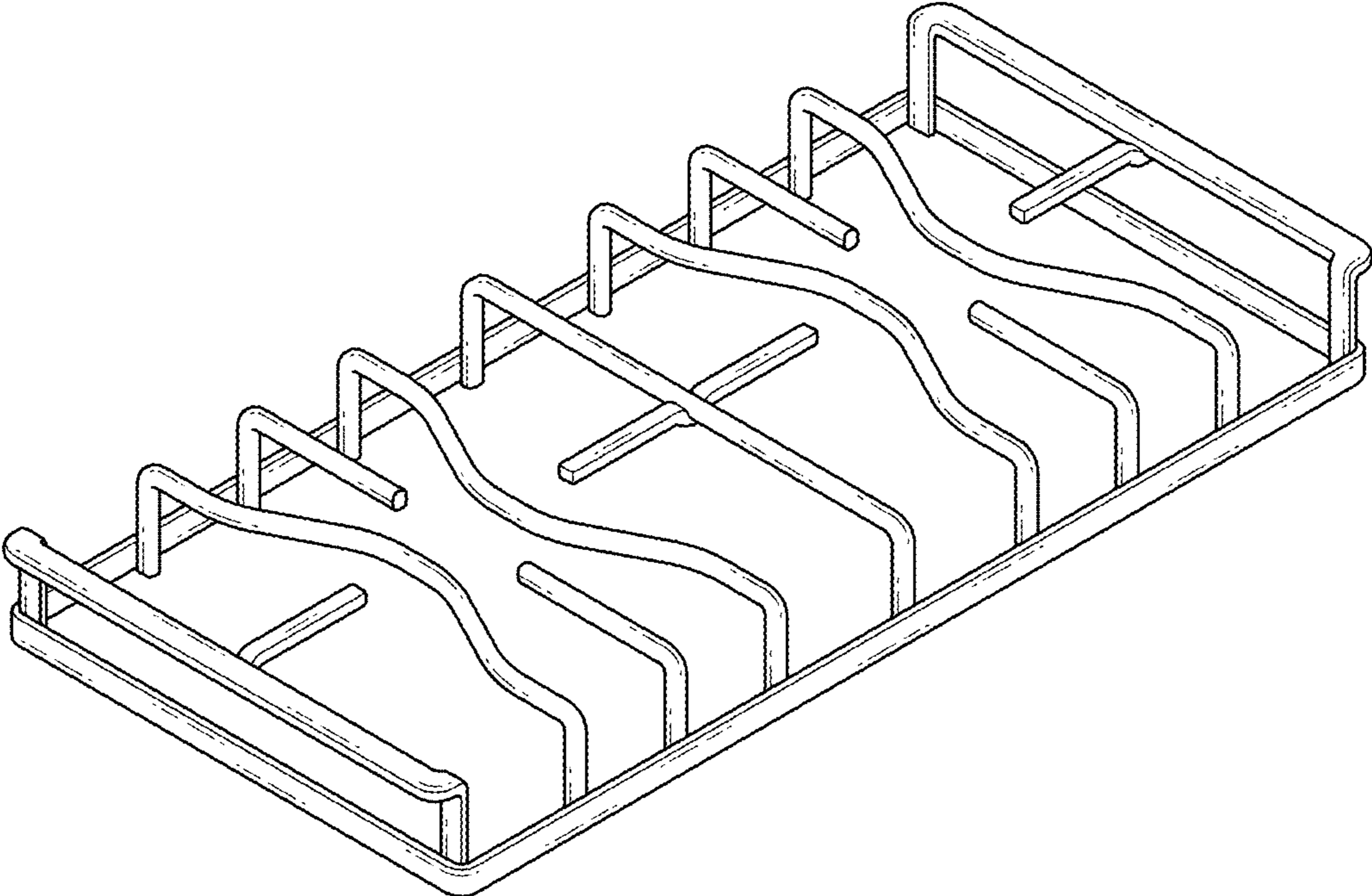


FIG. 2

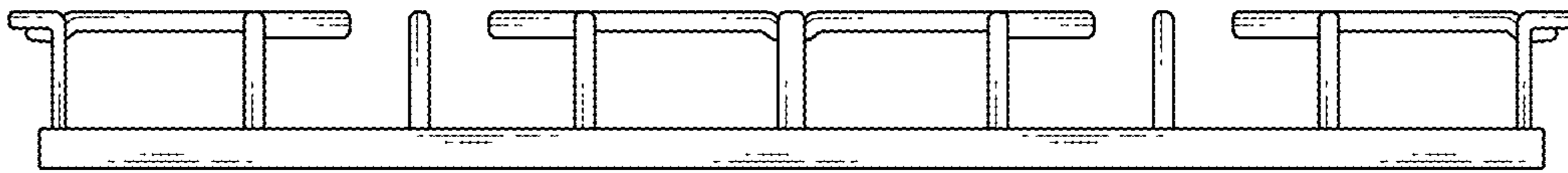


FIG. 3

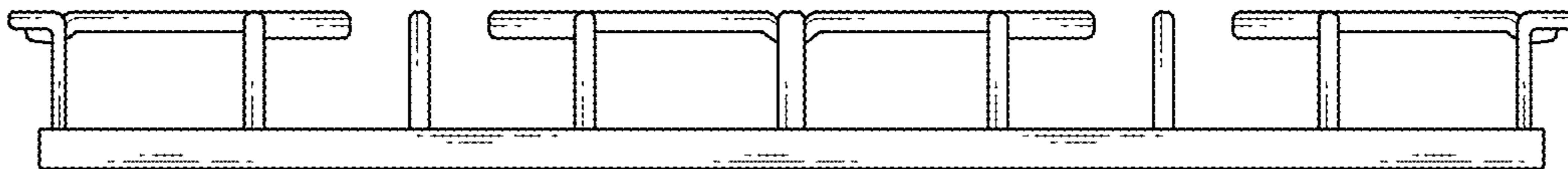


FIG. 4

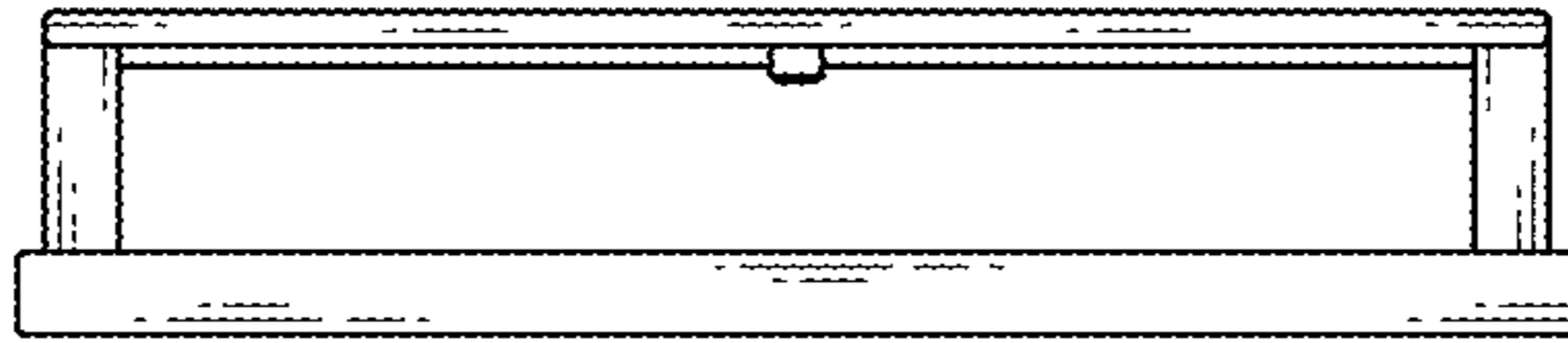


FIG. 5

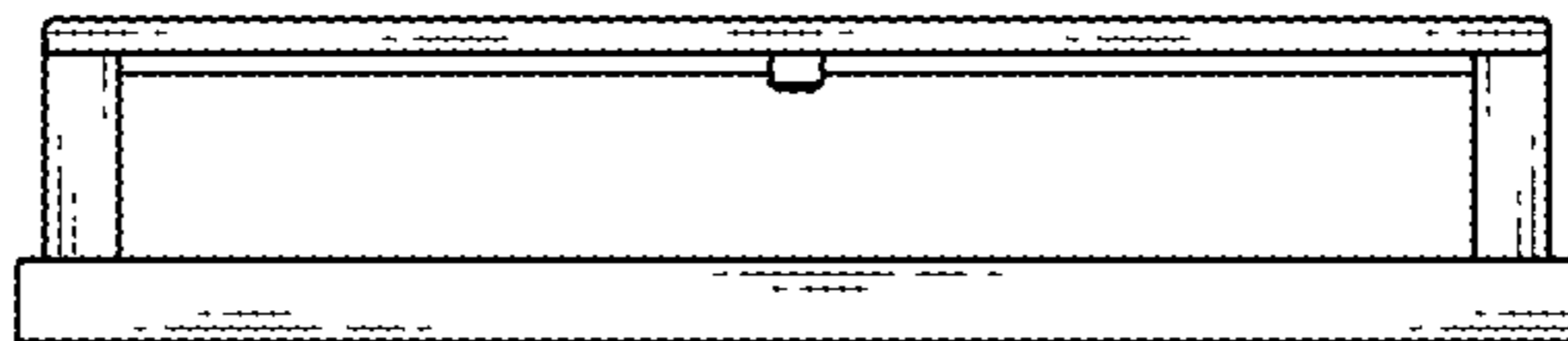


FIG. 6

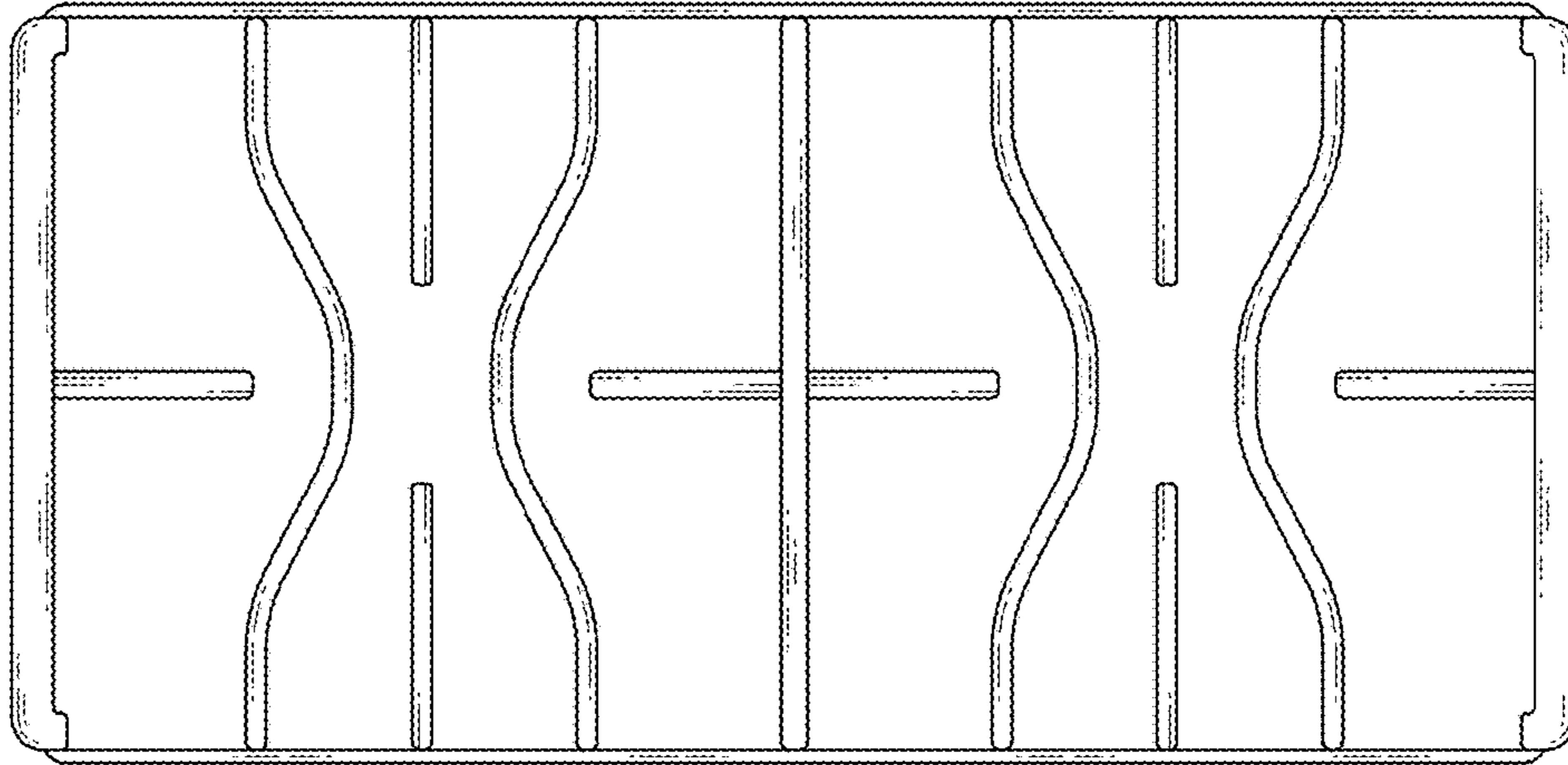


FIG. 7

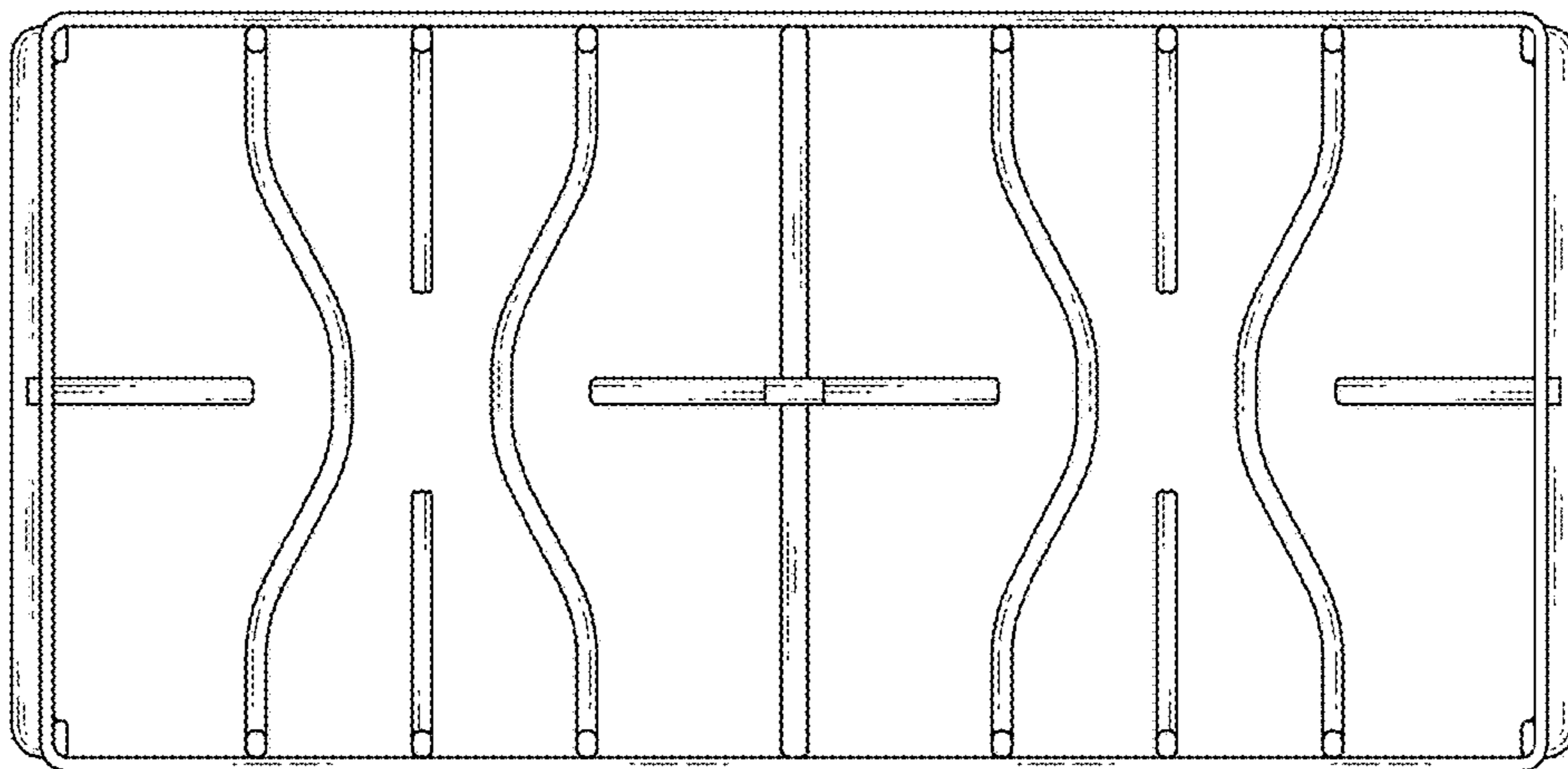


FIG. 8

