



US00D793159S

(12) **United States Design Patent** (10) **Patent No.:** **US D793,159 S**
Bombardo et al. (45) **Date of Patent:** **** Aug. 1, 2017**

(54) **BURNER**
(71) Applicants: **Anthony Patrick Bombardo**, Hastings, MN (US); **Joseph Steven Shimek**, Prior Lake, MN (US)
(72) Inventors: **Anthony Patrick Bombardo**, Hastings, MN (US); **Joseph Steven Shimek**, Prior Lake, MN (US)
(73) Assignee: **The Outdoor Greatroom Company**, Eagan, MN (US)

8,317,890 B2 * 11/2012 Raether B01D 46/103
55/498
D749,899 S * 2/2016 Hyp D7/402
D773,635 S * 12/2016 Raether D23/365
2012/0024169 A1 * 2/2012 Hsu A47J 37/042
99/450
2012/0174906 A1 * 7/2012 Hsu A47J 37/041
126/25 AA
2012/0208133 A1 * 8/2012 Thielvoldt A63J 5/023
431/8
2014/0027659 A1 * 1/2014 Kumar F16K 31/46
251/213

(**) Term: **15 Years**

(21) Appl. No.: **29/551,597**

(22) Filed: **Jan. 14, 2016**

(51) **LOC (10) Cl.** **07-02**

(52) **U.S. Cl.**
USPC **D7/407**

(58) **Field of Classification Search**
USPC D7/402-404, 407-409, 332-337,
D7/362-367; D23/386, 415-419
CPC A47J 37/0713; A47J 37/041; A47J 37/042;
A47J 37/043; F23D 14/10; F23D 14/045;
F23D 2203/1012; F23D 2900/00017;
F24C 3/14; F24C 1/16; F24C 5/20
See application file for complete search history.

(56) **References Cited**

U.S. PATENT DOCUMENTS

D27,355 S * 7/1897 Hewitt D23/415
D58,914 S * 9/1921 Kerr et al. D23/415
3,475,884 A * 11/1969 Kulzer B01D 46/02
248/99
3,717,083 A * 2/1973 Karapetian A47J 36/022
126/25 R
D433,875 S * 11/2000 Schroeter D7/409
D606,339 S * 12/2009 Jacobson D6/703.5

OTHER PUBLICATIONS

Crazy in Nashville!, by Bill Sendelback, *Hearth & Home* [online], published Apr. 2015, [retrieved on Mar. 14, 2017]. Retrieved from the Internet <URL: http://www.hearthandhome.com/magazine/2015-07-31/crazy_in_nashville_.html>.*

(Continued)

Primary Examiner — Sheryl Lane
Assistant Examiner — Nicole Shiflet
(74) *Attorney, Agent, or Firm* — Winthrop & Weinstine, P.A.

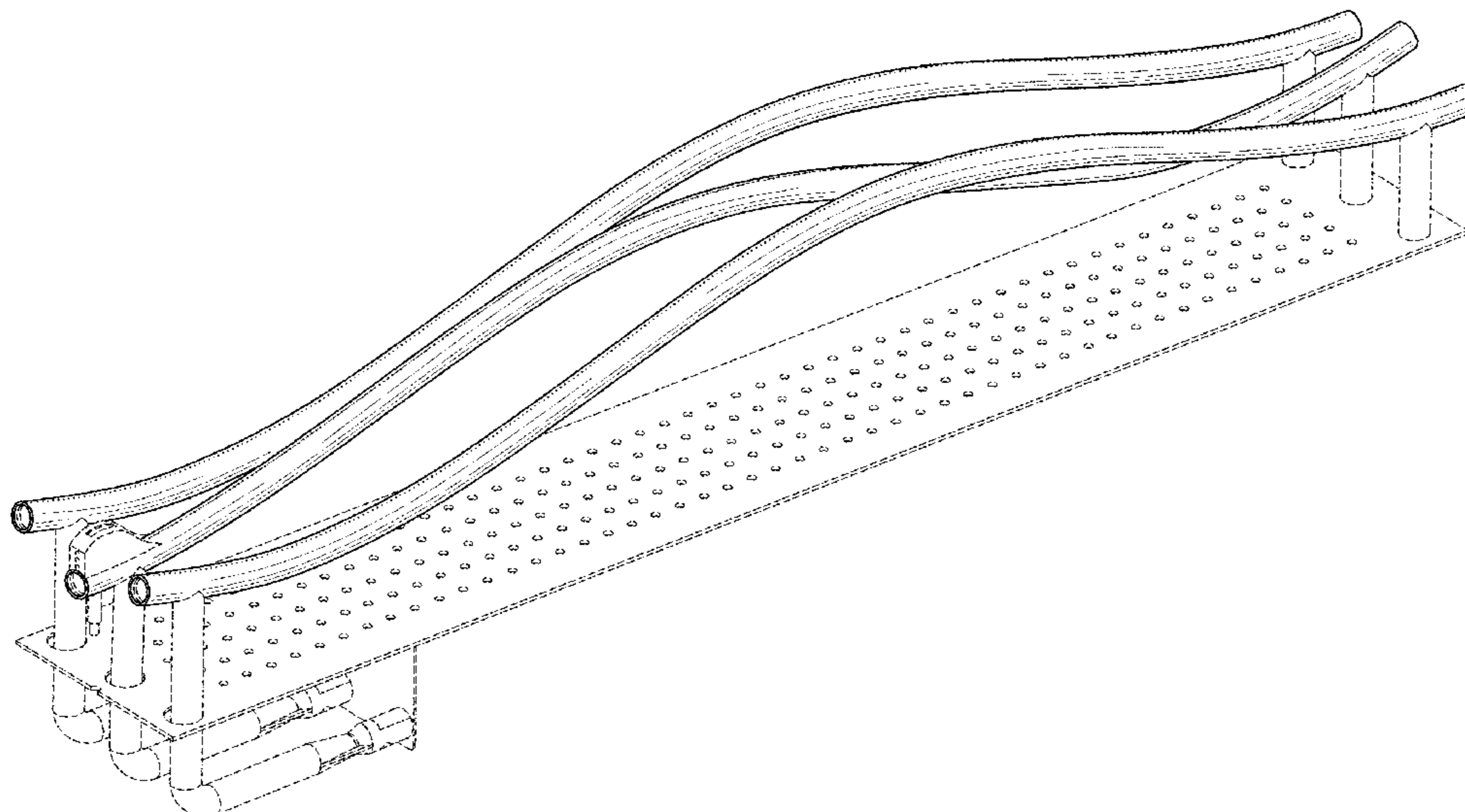
(57) **CLAIM**

The ornamental design for a burner, as shown and described.

DESCRIPTION

FIG. 1 is a perspective view of a burner;
FIG. 2 is a front side view thereof;
FIG. 3 is a back side view thereof;
FIG. 4 is a top side view thereof;
FIG. 5 is a bottom side view thereof;
FIG. 6 is a left side view thereof; and,
FIG. 7 is a right side view thereof.
The broken lines shown in the drawings illustrate environmental subject matter and form no part of the claimed design.

1 Claim, 4 Drawing Sheets



(56)

References Cited

OTHER PUBLICATIONS

The Wave Fire Pit, by The Outdoor GreatRoom Company, YouTube [online], published Jun. 25, 2015, [retrieved on Mar. 14, 2017]. Retrieved from the Internet <URL: https://www.youtube.com/watch?v=Im_N4B_OTul>.*

* cited by examiner

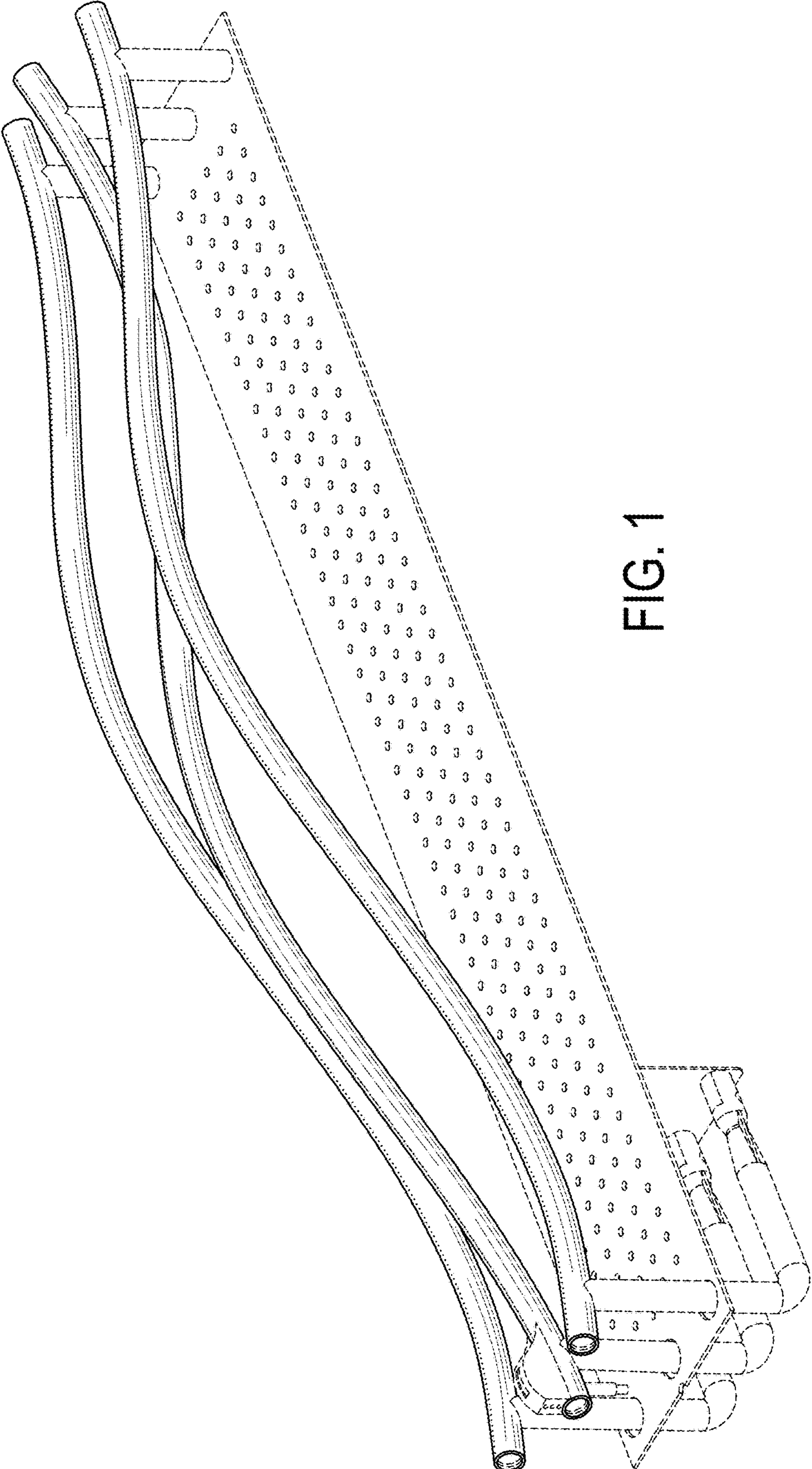


FIG. 1

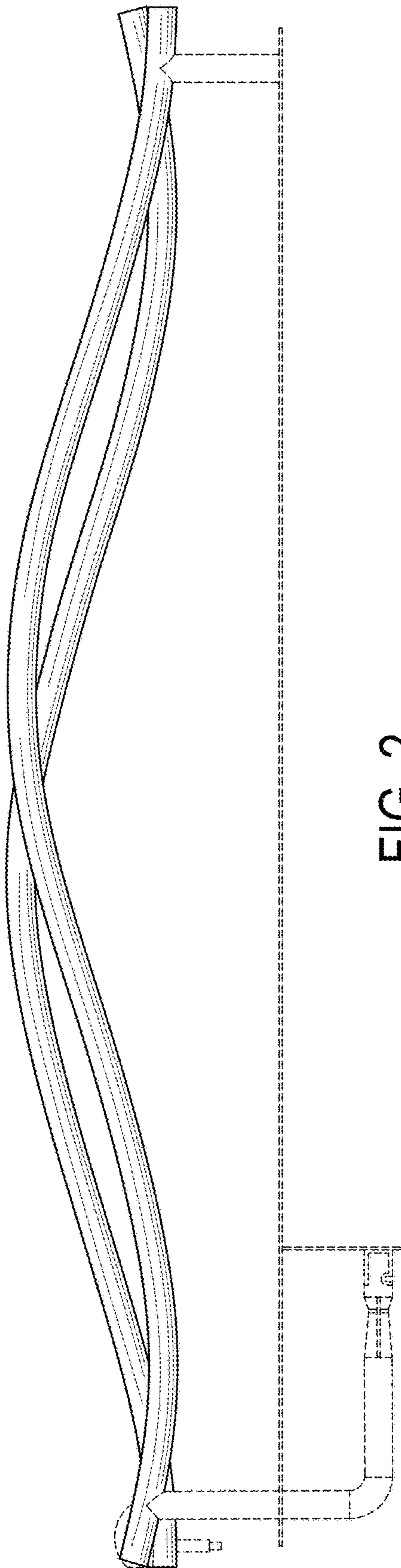


FIG. 2

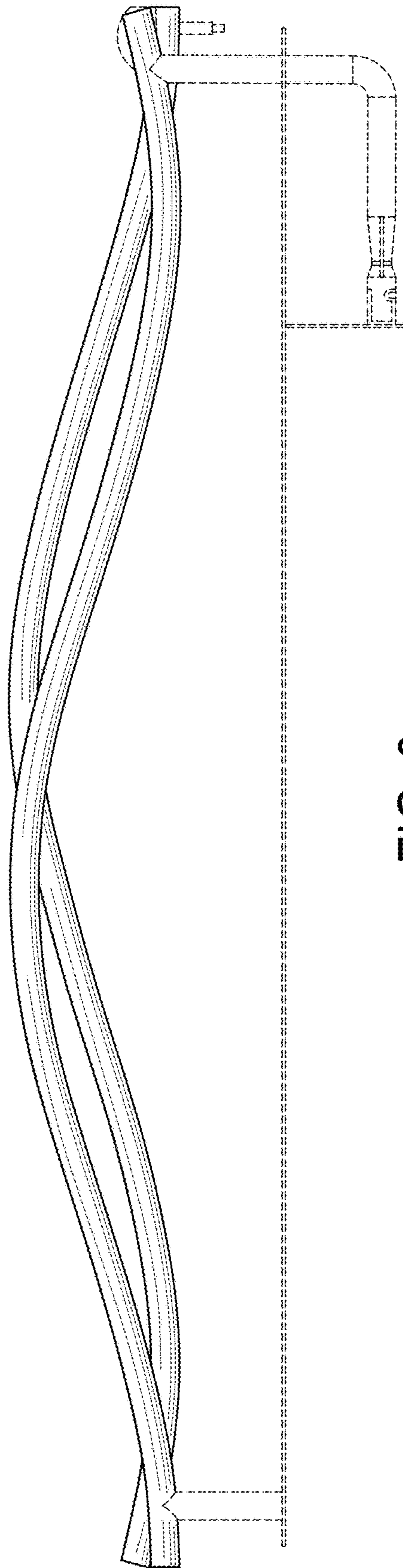


FIG. 3

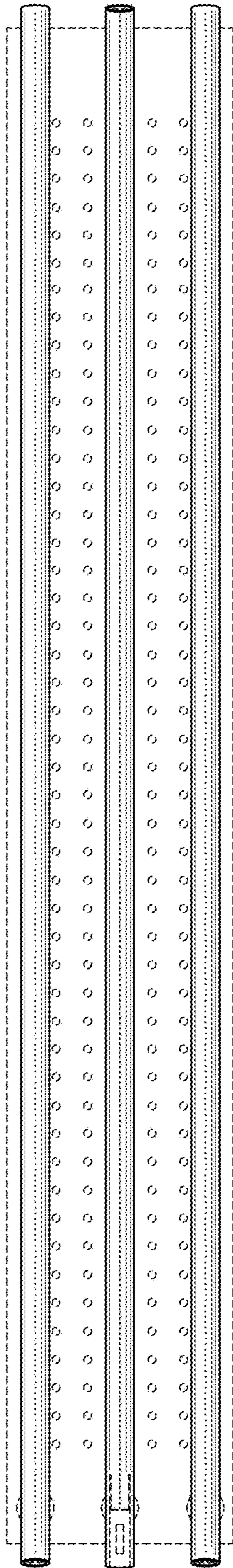


FIG. 4

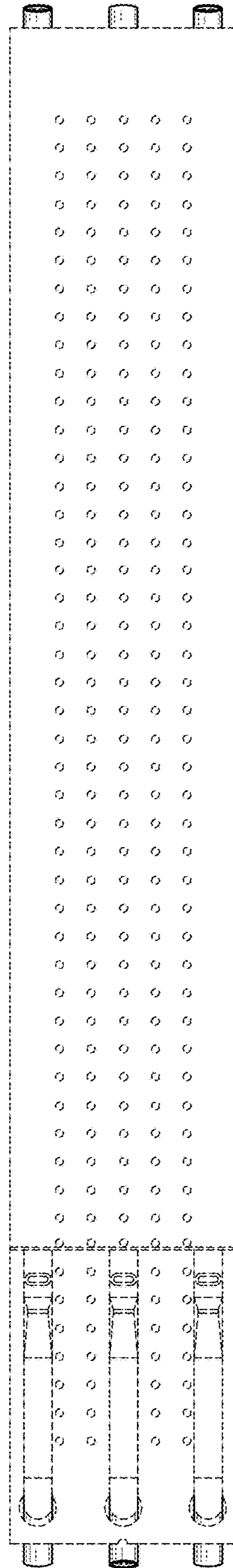


FIG. 5

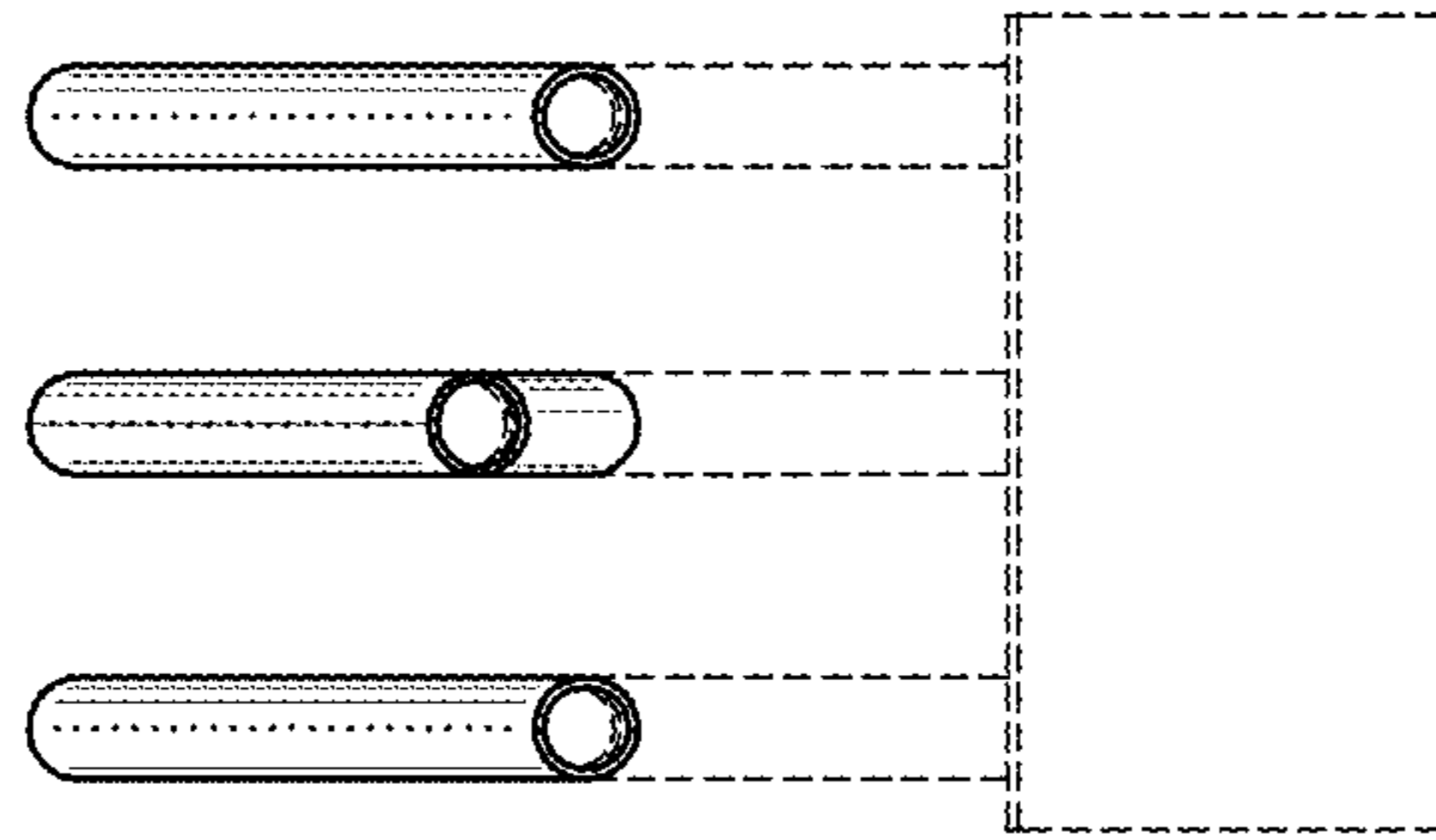


FIG. 7

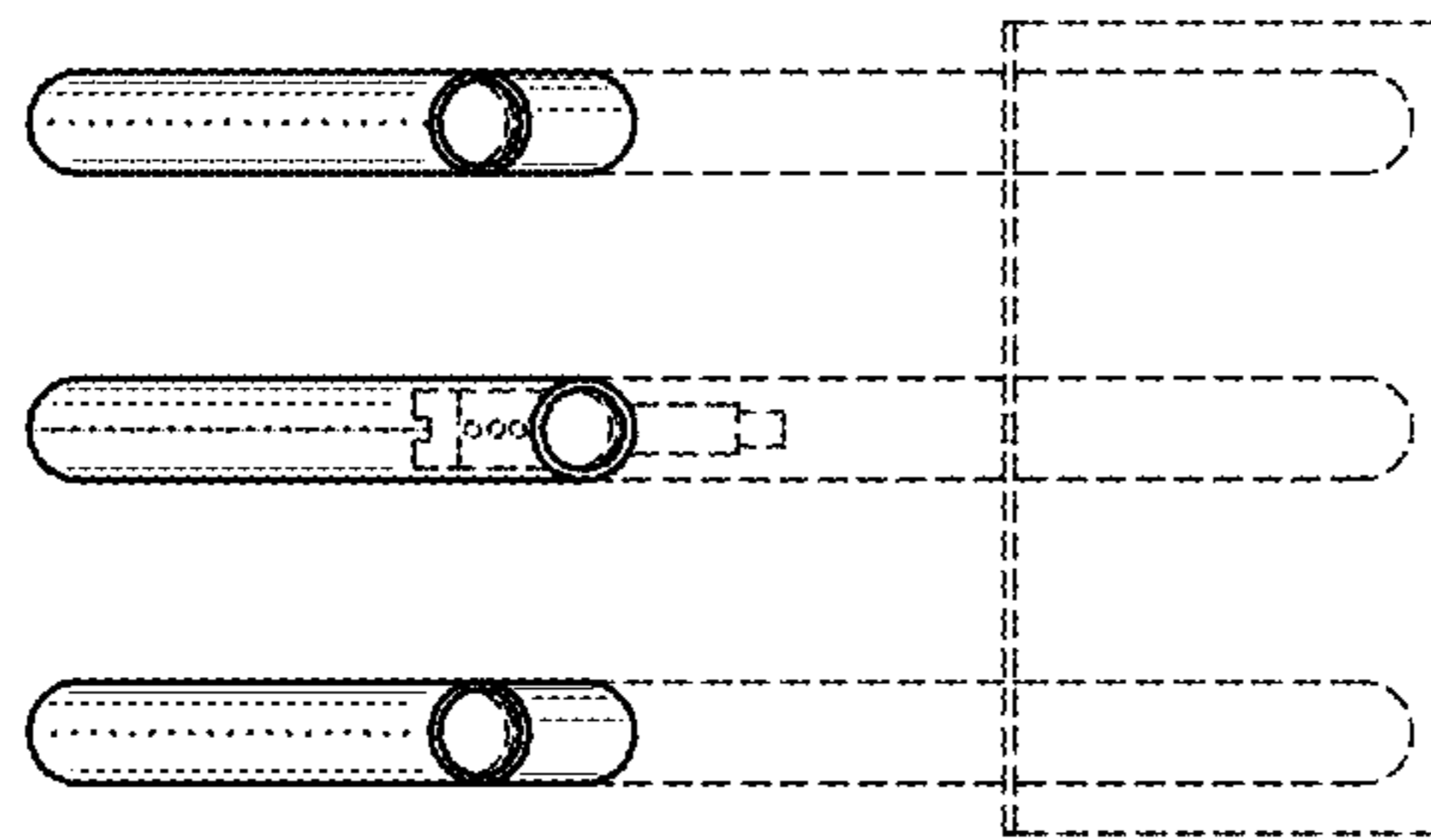


FIG. 6