



US00D793156S

(12) **United States Design Patent** (10) **Patent No.:** **US D793,156 S**  
**Hojo** (45) **Date of Patent:** **\*\* Aug. 1, 2017**

(54) **COFFEE DRIPPER**  
(71) Applicant: **World Create, Inc.**, Tokyo (JP)  
(72) Inventor: **Masaru Hojo**, Tokyo (JP)  
(73) Assignee: **WORLD CREATE, INC.**, Tokyo (JP)  
(\*\*) Term: **15 Years**

(21) Appl. No.: **29/545,128**  
(22) Filed: **Nov. 10, 2015**

(30) **Foreign Application Priority Data**  
May 29, 2015 (JP) ..... 2015-11948  
(51) **LOC (10) Cl.** ..... **07-01**  
(52) **U.S. Cl.**  
USPC ..... **D7/400; D7/667**  
(58) **Field of Classification Search**  
USPC ..... D7/399, 400, 667, 700, 515, 397, 506,  
D7/507, 668; D9/607; D23/209; 99/322  
CPC ..... B65D 25/24; A47J 31/0636; A47J 27/16;  
A47G 19/00; A47G 21/04; A47G 19/16  
See application file for complete search history.

(56) **References Cited**  
U.S. PATENT DOCUMENTS  
4,765,896 A \* 8/1988 Hartley ..... A47J 31/06  
210/474  
5,139,166 A \* 8/1992 Smith ..... A47G 19/30  
220/23.83  
D360,106 S \* 7/1995 Sintchak ..... D7/399  
D370,051 S \* 5/1996 Samson ..... D23/209  
D381,866 S \* 8/1997 St-Gelais ..... D7/300  
D386,043 S \* 11/1997 Chiag ..... D7/400  
D407,602 S \* 4/1999 Patel ..... D7/400  
6,497,818 B1 \* 12/2002 Bunn ..... A47J 31/0631  
210/238  
D513,152 S \* 12/2005 Cahen ..... D7/399  
D550,036 S \* 9/2007 Holcomb ..... D7/512

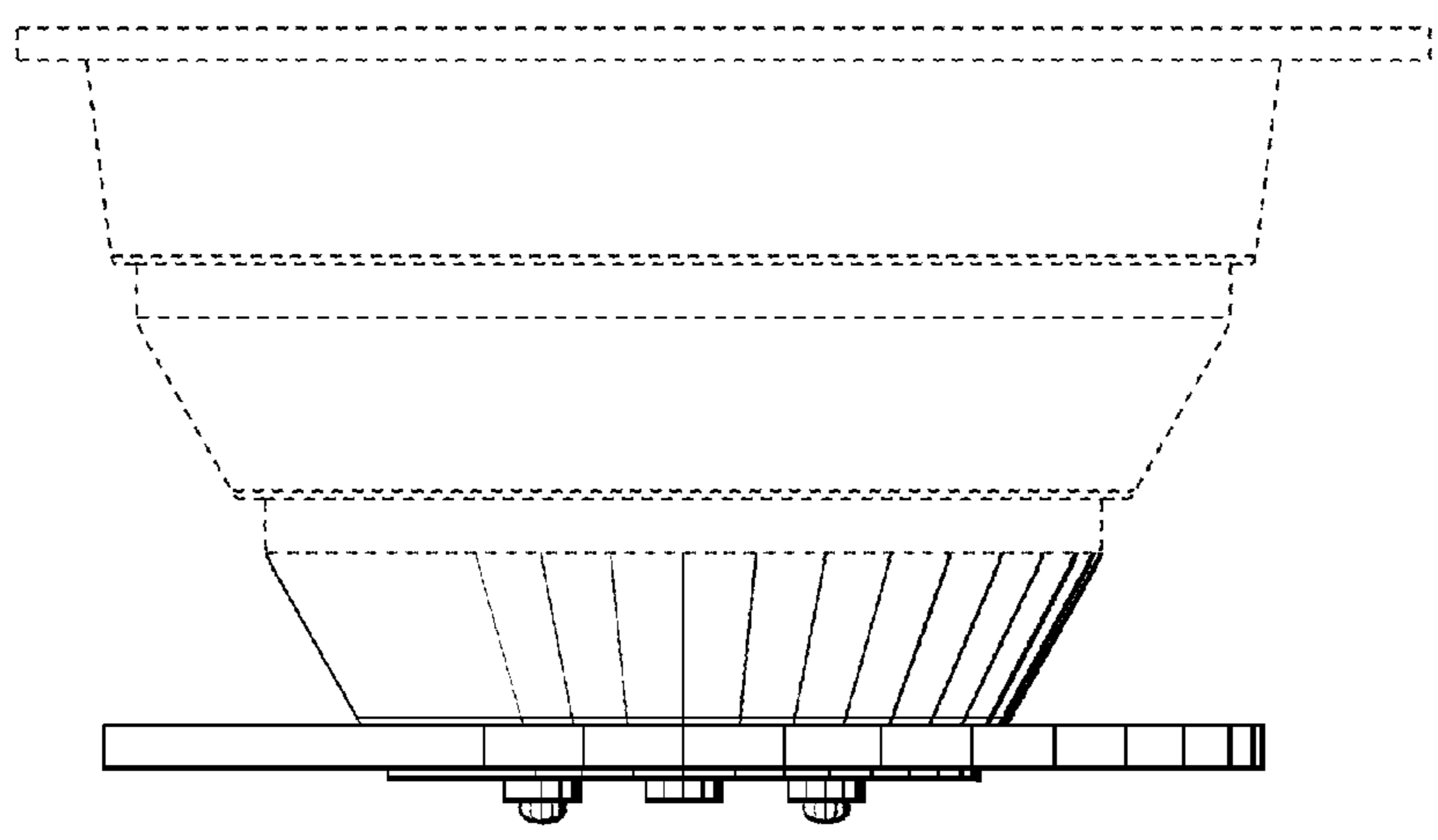
D558,536 S \* 1/2008 Curtin ..... D7/667  
D560,106 S \* 1/2008 Curtin ..... D7/700  
D571,614 S \* 6/2008 Curtin ..... D7/545  
D574,673 S \* 8/2008 Tsui ..... D7/667  
D593,383 S \* 6/2009 Pallotto ..... D7/700  
7,678,271 B2 \* 3/2010 Curtin ..... A47J 43/24  
141/337  
D635,398 S \* 4/2011 Watabe ..... D7/400  
(Continued)

*Primary Examiner* — Marianne Pandozzi  
(74) *Attorney, Agent, or Firm* — Wenderoth, Lind & Ponack, L.L.P.

(57) **CLAIM**  
The ornamental design for a coffee dripper, as shown and described.

**DESCRIPTION**  
FIG. 1 is front elevational view of a coffee dripper showing my new design, the central cap/plug removed for ease of illustration;  
FIG. 2 is a top plan view thereof;  
FIG. 3 is a bottom plan view thereof;  
FIG. 4 is a left side view thereof;  
FIG. 5 is a sectional view taken along line 5-5 of FIG. 2;  
FIG. 6 is a front elevational view thereof of the cap/plug portion with the dripper body removed for ease of ease of illustration;  
FIG. 7 is a top plan view thereof;  
FIG. 8 is a bottom plan view thereof;  
FIG. 9 is a sectional view taken along line 5-5 of FIG. 2, the only difference being that one cap/plug is moved to the center and the two plugs on either side are removed for ease of illustration;  
FIG. 10 is a sectional view taken along line 5-5 of FIG. 2, the only difference being that the cap/plugs are removed for ease of illustration; and,  
FIG. 11 is a top perspective view of the coffee dripper of FIG. 1.

**1 Claim, 5 Drawing Sheets**



(56)

**References Cited**

U.S. PATENT DOCUMENTS

|           |    |   |         |           |       |            |
|-----------|----|---|---------|-----------|-------|------------|
| D645,705  | S  | * | 9/2011  | Shamoon   | ..... | D7/543     |
| D652,745  | S  | * | 1/2012  | Lee       | ..... | D10/46.2   |
| D656,800  | S  | * | 4/2012  | Lee       | ..... | D7/667     |
| D662,794  | S  | * | 7/2012  | Enghard   | ..... | D7/700     |
| D664,003  | S  | * | 7/2012  | Nagoya    | ..... | D7/400     |
| D669,750  | S  | * | 10/2012 | Lee       | ..... | D7/700     |
| D675,482  | S  | * | 2/2013  | Heggestad | ..... | D7/400     |
| D701,424  | S  | * | 3/2014  | Shamoon   | ..... | D10/46.2   |
| D714,105  | S  | * | 9/2014  | Lee       | ..... | D7/667     |
| D729,005  | S  | * | 5/2015  | Lee       | ..... | D7/399     |
| D731,862  | S  | * | 6/2015  | Kent      | ..... | D7/667     |
| 9,211,030 | B2 | * | 12/2015 | France    | ..... | A47J 27/16 |
| D756,705  | S  | * | 5/2016  | Abrams    | ..... | D7/510     |
| D756,771  | S  | * | 5/2016  | Covey     | ..... | D7/400     |
| D759,420  | S  | * | 6/2016  | Lee       | ..... | D7/354     |
| D778,668  | S  | * | 2/2017  | Hojo      | ..... | D7/400     |

\* cited by examiner

FIG. 1

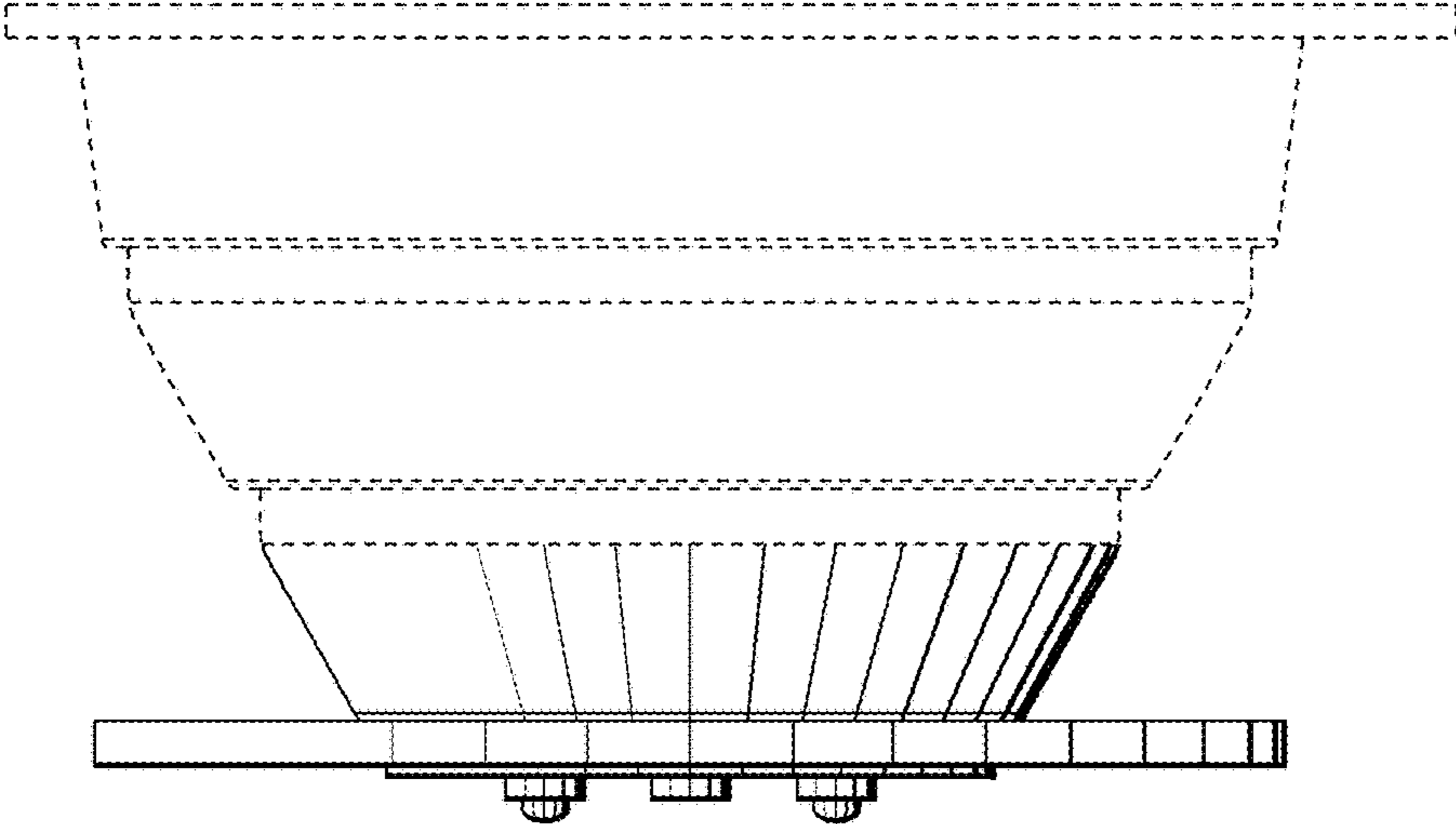


FIG. 2

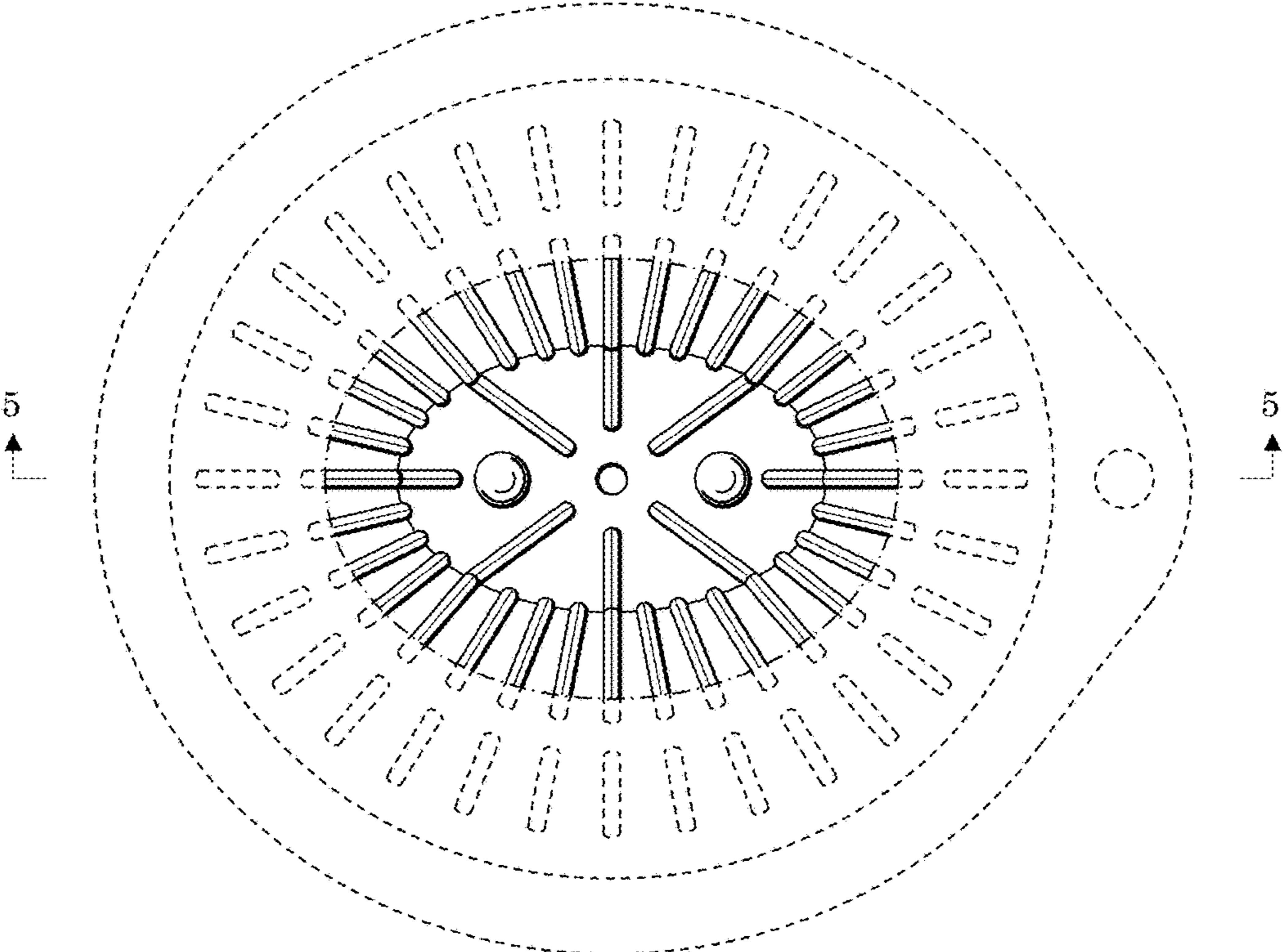


FIG. 3

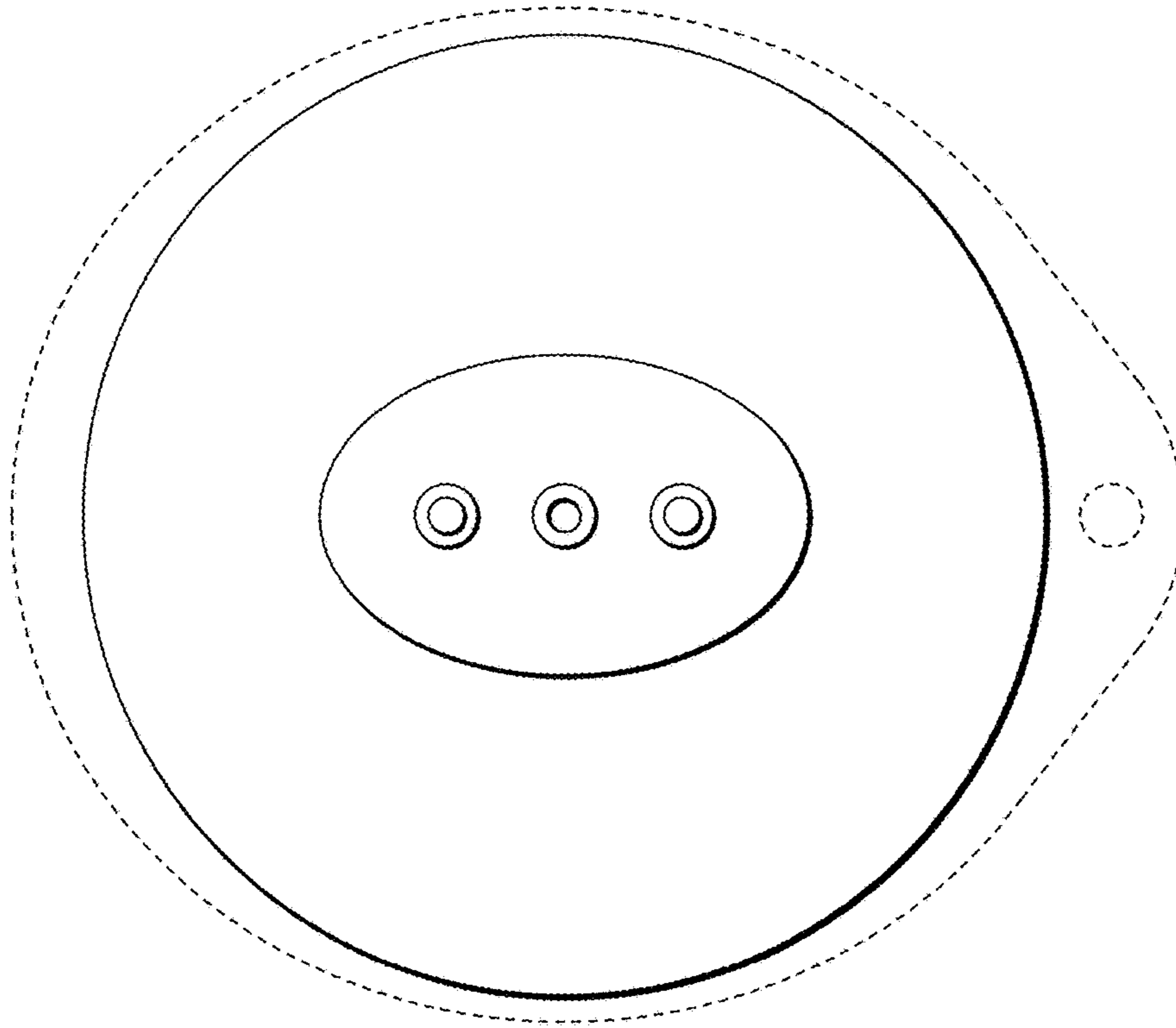


FIG. 4

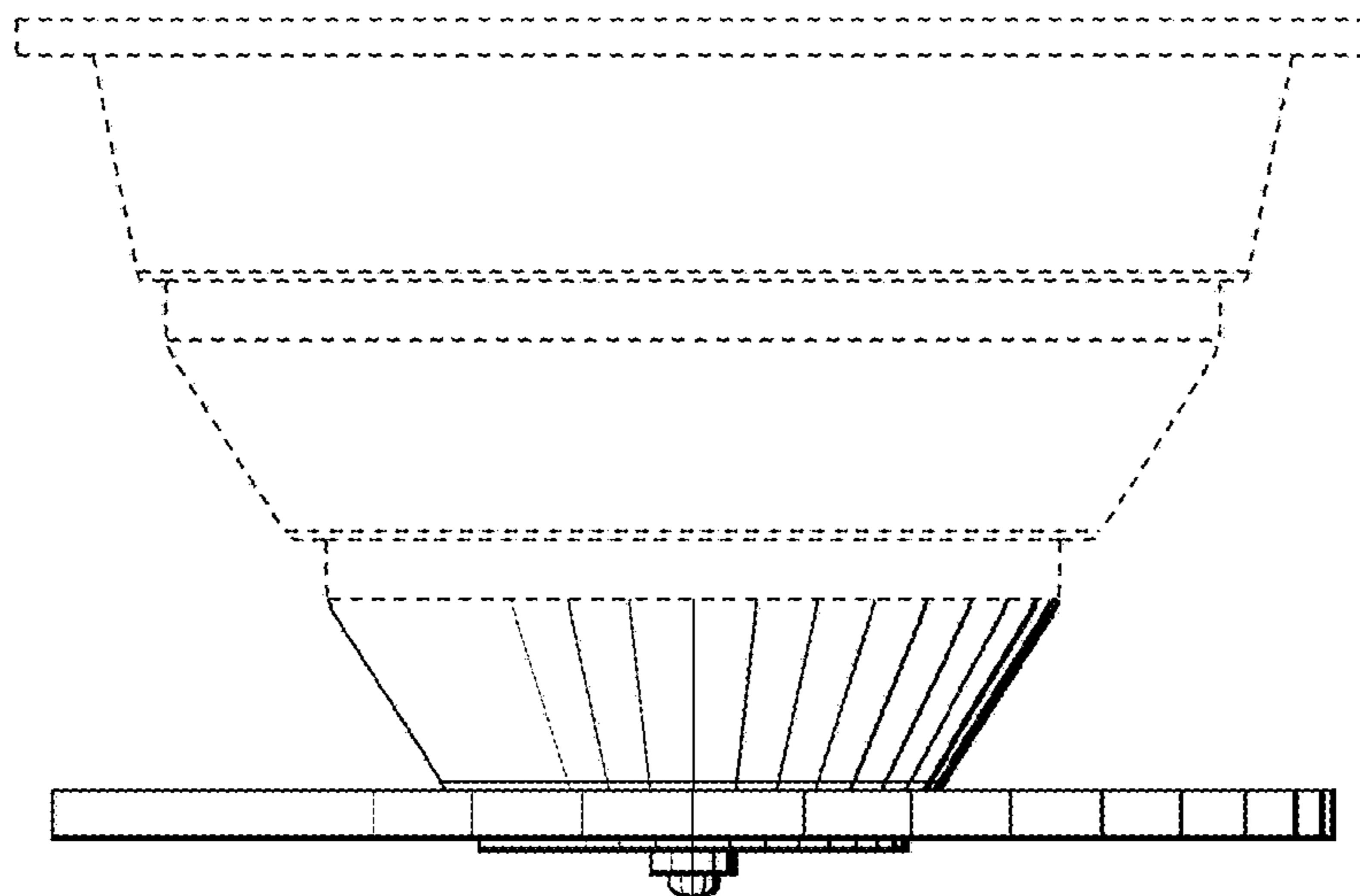


FIG. 5

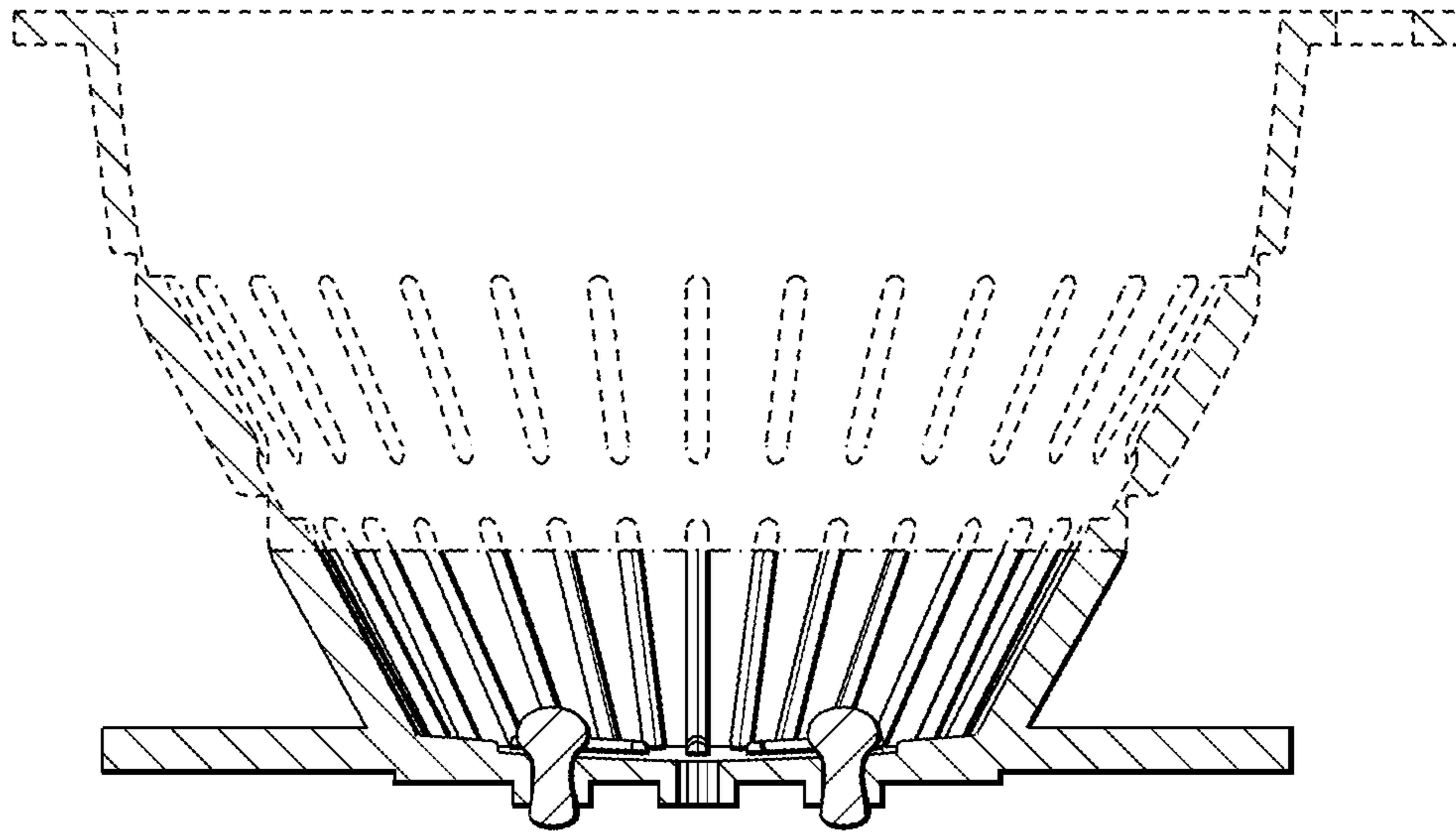


FIG. 6

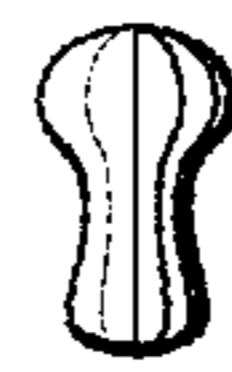


FIG. 7



FIG. 8



FIG. 9

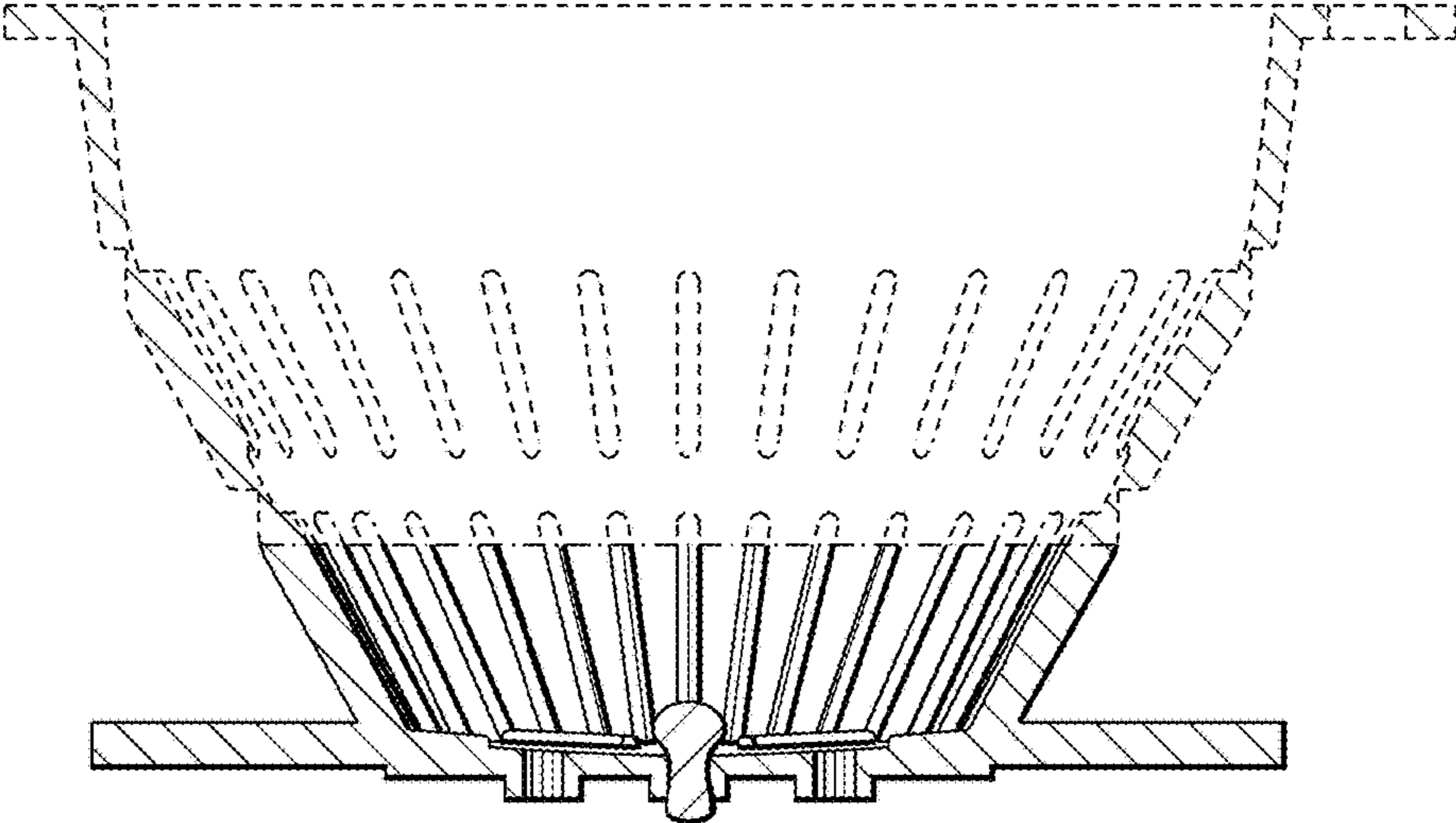


FIG. 10

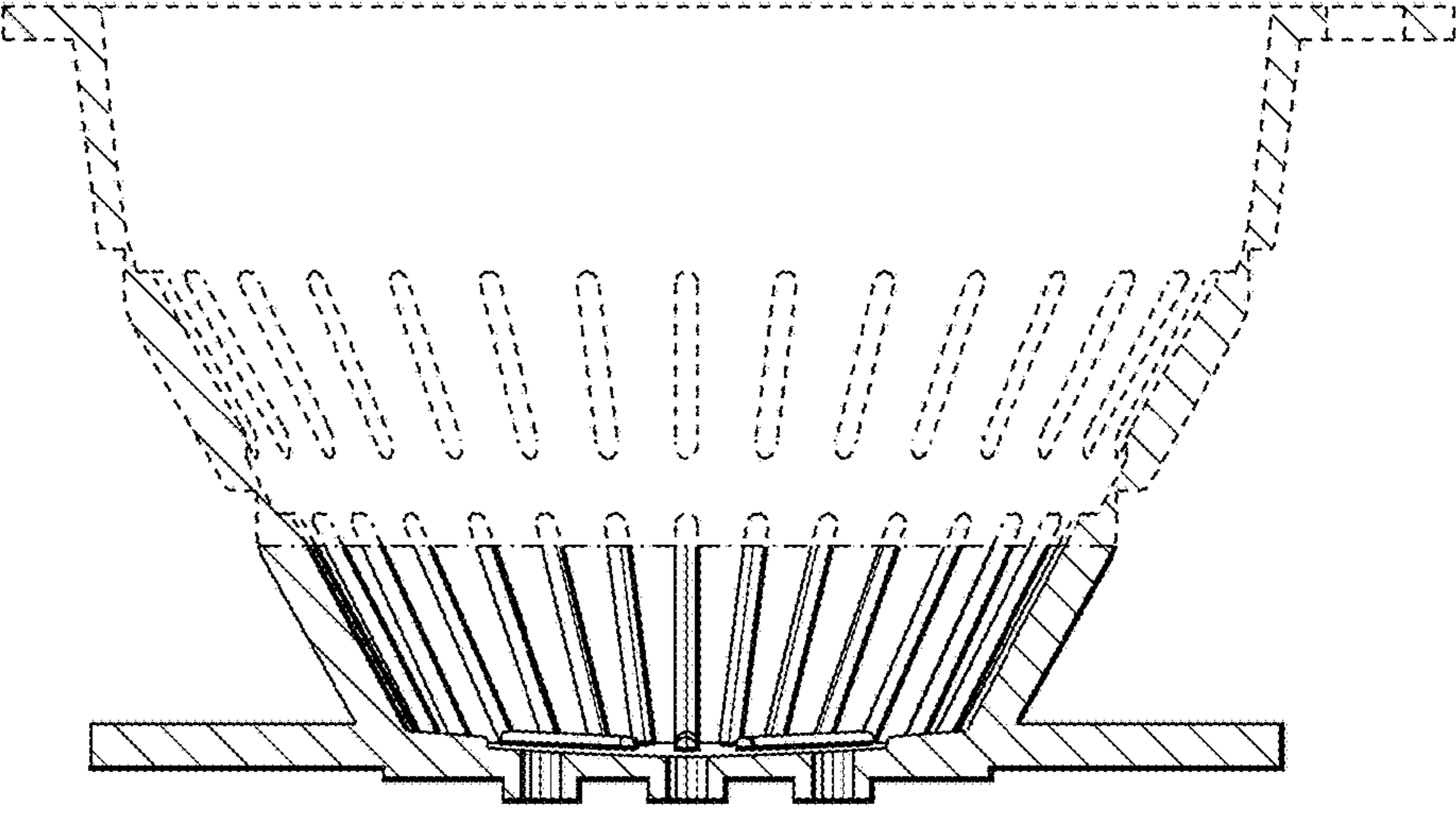


FIG. 11

