



US00D793155S

(12) **United States Design Patent**
Shepherd

(10) **Patent No.:** **US D793,155 S**

(45) **Date of Patent:** **** Aug. 1, 2017**

(54) **INFUSER**

(71) Applicant: **Chadwick Shepherd**, San Jose, CA
(US)

(72) Inventor: **Chadwick Shepherd**, San Jose, CA
(US)

(**) Term: **15 Years**

(21) Appl. No.: **29/565,211**

(22) Filed: **May 18, 2016**

Related U.S. Application Data

(62) Division of application No. 29/507,971, filed on Oct. 31, 2014, now Pat. No. Des. 758,121.

(51) **LOC (10) Cl.** **07-01**

(52) **U.S. Cl.**
USPC **D7/399; D7/317; D7/318; D7/400**

(58) **Field of Classification Search**
USPC D7/400, 399, 667, 647, 300.2, 401, 213,
D7/700, 317-319, 322, 321, 397; 99/323,
99/319; D23/209
CPC A47J 31/00; A47J 31/005; A47G 19/14;
B65D 85/808
See application file for complete search history.

(56) **References Cited**

U.S. PATENT DOCUMENTS

D266,450 S * 10/1982 Swett D23/212
4,385,585 A * 5/1983 Lebowitz A47J 27/21
116/67 R
4,721,214 A 1/1988 Wandel
D302,511 S * 8/1989 Porcelli D7/317

(Continued)

FOREIGN PATENT DOCUMENTS

DE 440456 C 2/1927
DE 4124993 A1 7/1992

(Continued)

OTHER PUBLICATIONS

Restriction Requirement; Design U.S. Appl. No. 29/507,971; mailed Nov. 16, 2015.
Notice of Allowance; Design U.S. Appl. No. 29/507,971; mailed Jan. 29, 2016.
International Search Report and Written Opinion; PCT Application No. PCT/US2015/058412; mailed Jan. 29, 2016.
English abstract of DE4432547; Retrieved from www.espacenet.com on Aug. 18, 2016.

(Continued)

Primary Examiner — Marianne Pandozzi
(74) *Attorney, Agent, or Firm* — Polsinelli PC

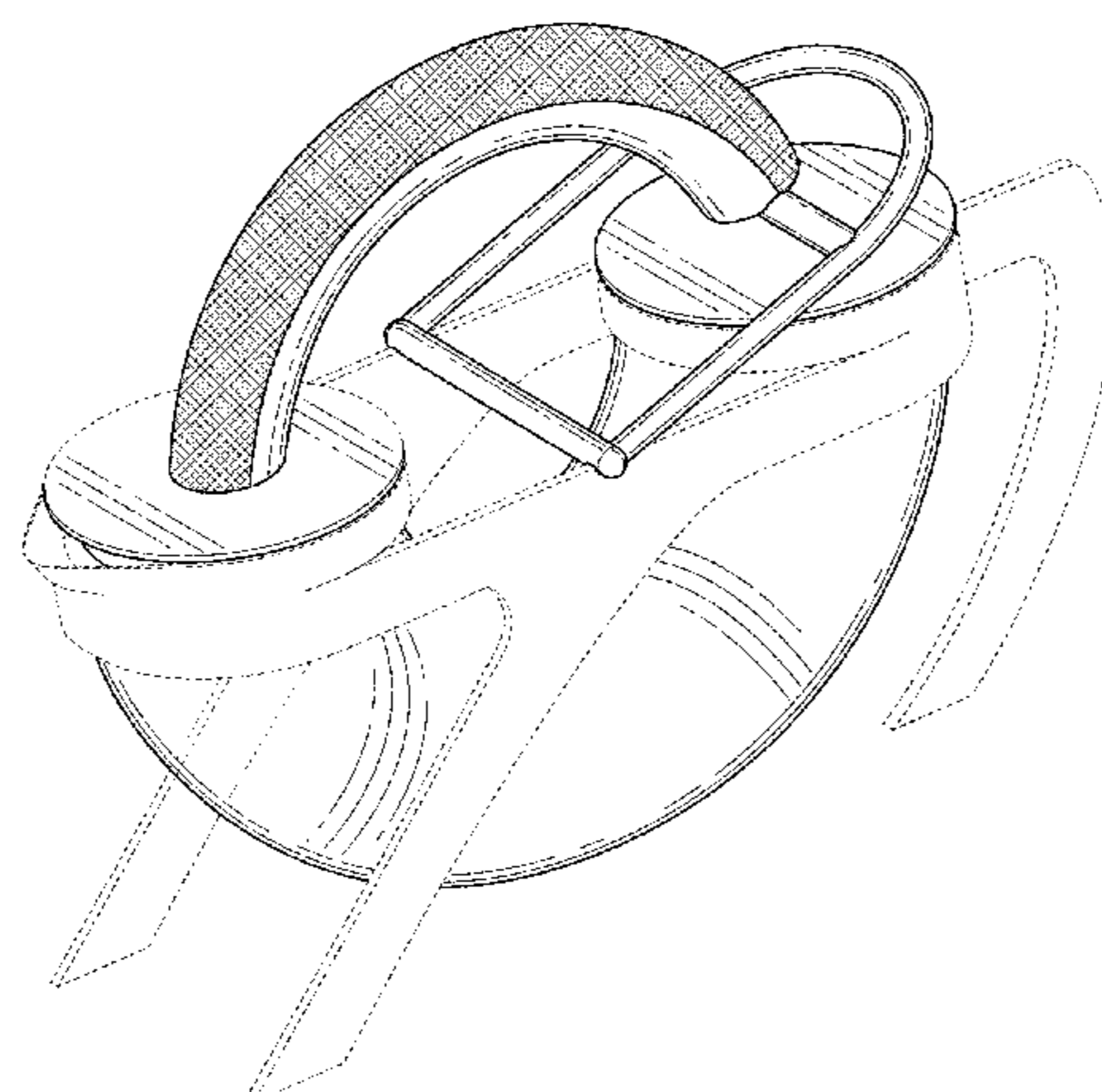
(57) **CLAIM**

I claim the ornamental design for an infuser, as shown and described.

DESCRIPTION

FIG. 1 is a perspective view of a first embodiment of an infuser, the infuser having a filter in an unsubmerged configuration;
FIG. 2 is a left side elevational view thereof;
FIG. 3 is a right side elevational view thereof;
FIG. 4 is a front elevational view thereof;
FIG. 5 is a rear elevational view thereof;
FIG. 6 is a top plan view thereof;
FIG. 7 is a bottom plan view thereof; and
FIG. 8 is a perspective view of the infuser, the infuser having the filter in a submerged configuration.
FIG. 9 is a perspective view of a second embodiment of the infuser, the infuser having a filter in an unsubmerged configuration;
FIG. 10 is a left side elevational view thereof;
FIG. 11 is a right side elevational view thereof;
FIG. 12 is a front elevational view thereof;
FIG. 13 is a rear elevational view thereof;
FIG. 14 is a top plan view thereof;
FIG. 15 is a bottom plan view thereof; and,
FIG. 16 is a perspective view thereof, the infuser having the filter in a submerged configuration.
The broken lines in the drawing depict portions of the infuser that form no part of the claimed design.

1 Claim, 16 Drawing Sheets



(56)

References Cited

U.S. PATENT DOCUMENTS

D307,229 S * 4/1990 Grolman D7/305
5,607,092 A * 3/1997 Alexander A45C 13/30
224/258
5,678,472 A * 10/1997 Millman A47G 19/14
99/279
6,405,638 B1 6/2002 Chen
6,655,261 B1 * 12/2003 Horstmann A47G 19/14
210/238
D594,268 S * 6/2009 Bodum D7/317
D598,235 S * 8/2009 Cozolino D7/317
D679,538 S * 4/2013 Melzer D7/319
2011/0072979 A1 3/2011 Fogg, IV

FOREIGN PATENT DOCUMENTS

DE 4432547 A1 3/1996
JP 2006296773 A 11/2006

OTHER PUBLICATIONS

“Thunder Group (SLTB006)—5/1/4" Stainless Tea Ball”; Food Service Warehouse [online]; Oct. 13, 2014; Retrived on Dec. 22, 2015; Retrieved from the Internet: <<http://web.archive.org/web/20141013020731/http://www.foodservicewarehouse.com/thunder-group/sltb006/p364108.aspx>>; figure 1 of p. 1; table 1 of p. 2; paragraph 1 of p. 2.
English abstract of JP2006296773 ; Retrieved from www.espacenet.com on Aug. 18, 2016.
English abstract of DE4124993 ; Retrieved from www.espacenet.com on Aug. 18, 2016.
English abstract of DE440456 ; Retrieved from Patent EPO Patent Translate on Dec. 24, 2015.

* cited by examiner

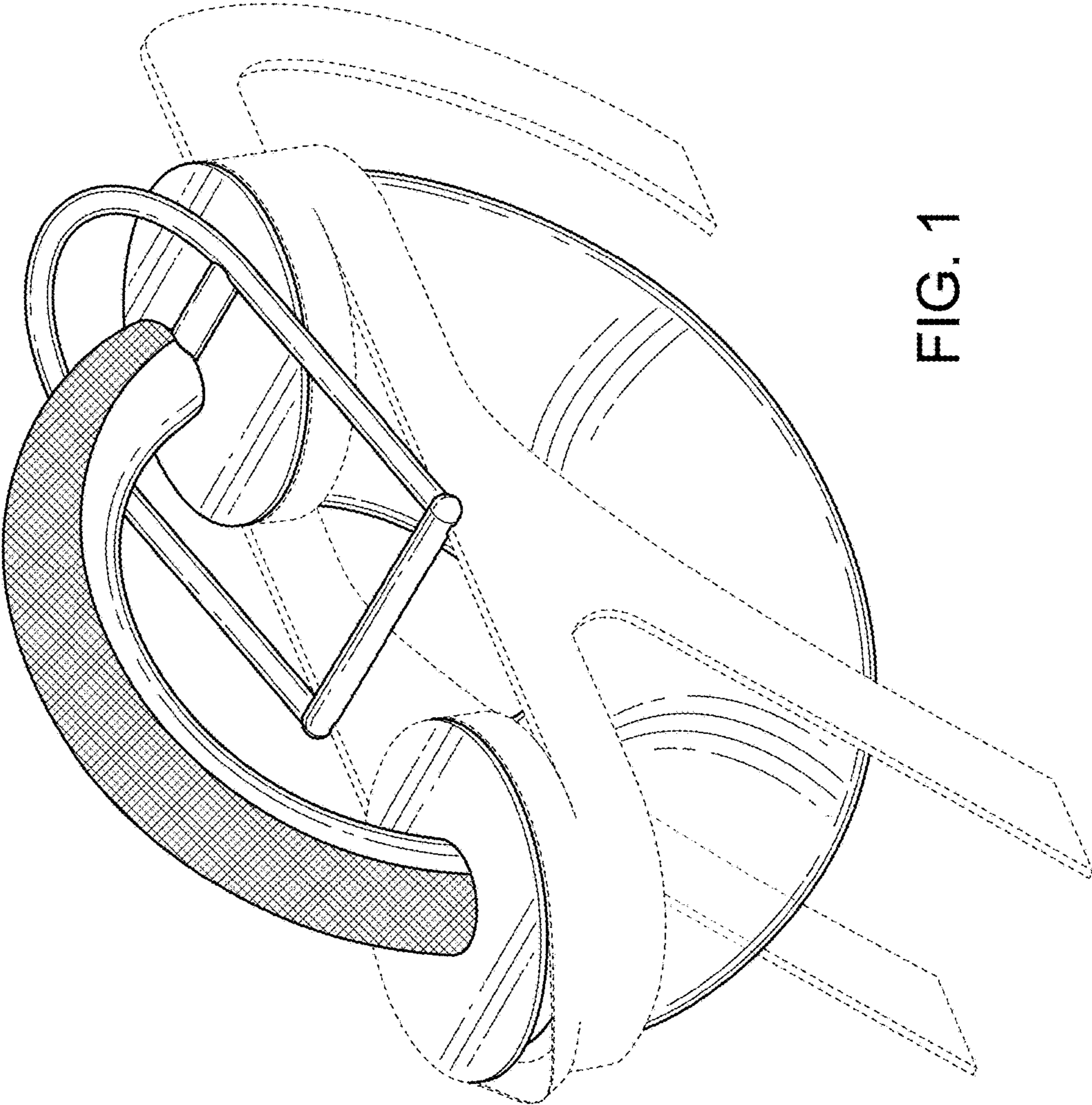


FIG. 1

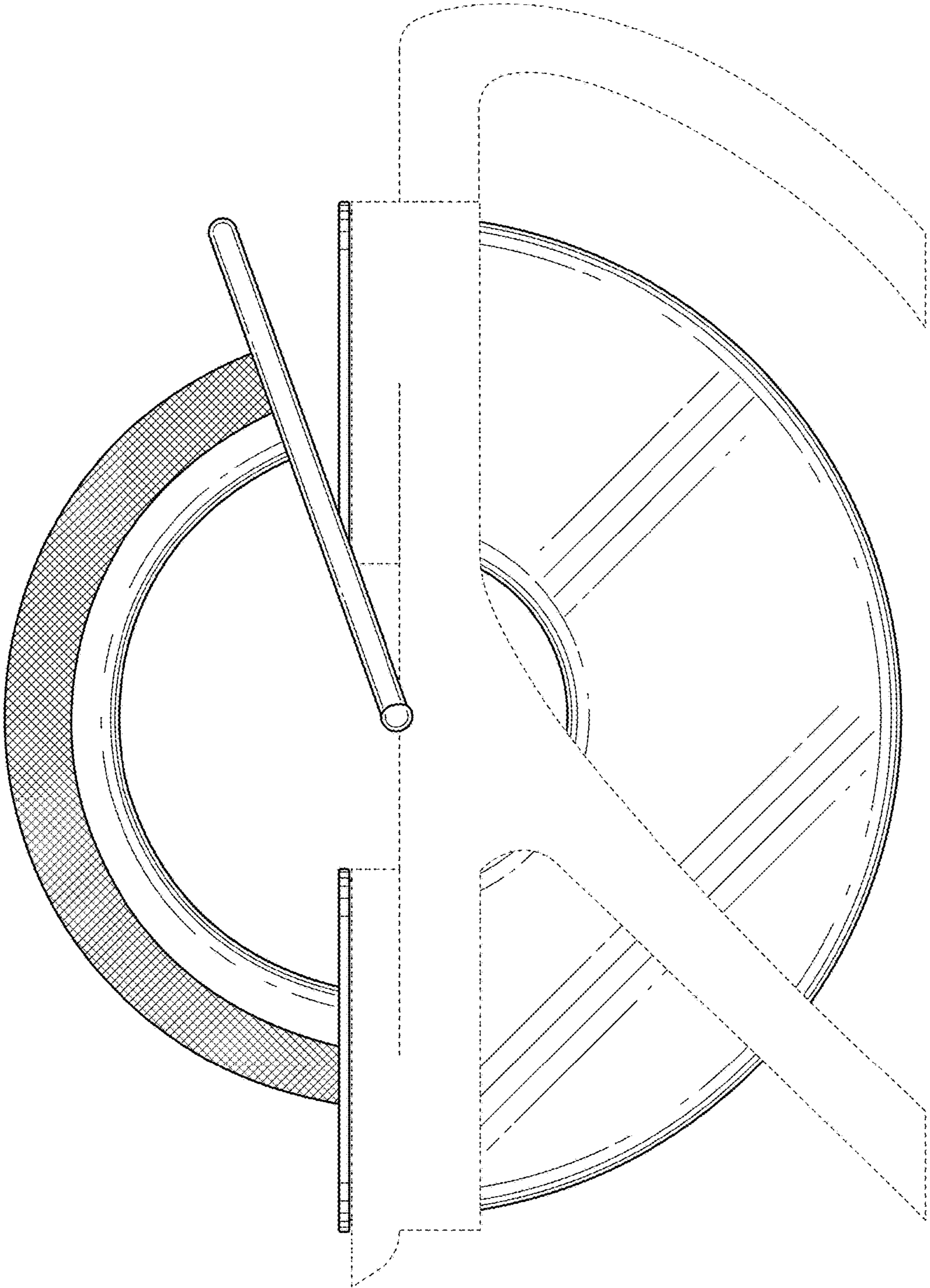


FIG. 2

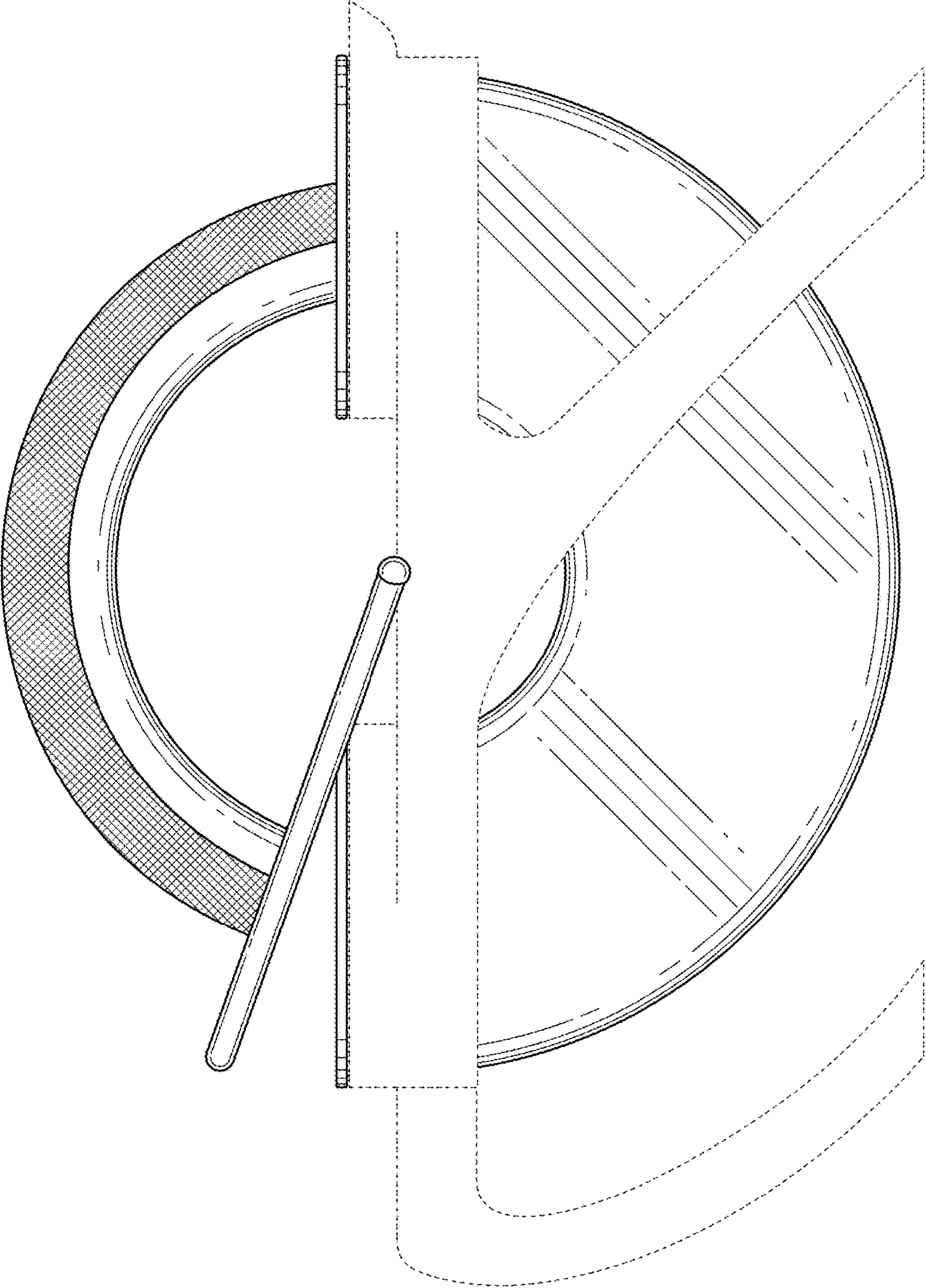


FIG. 3

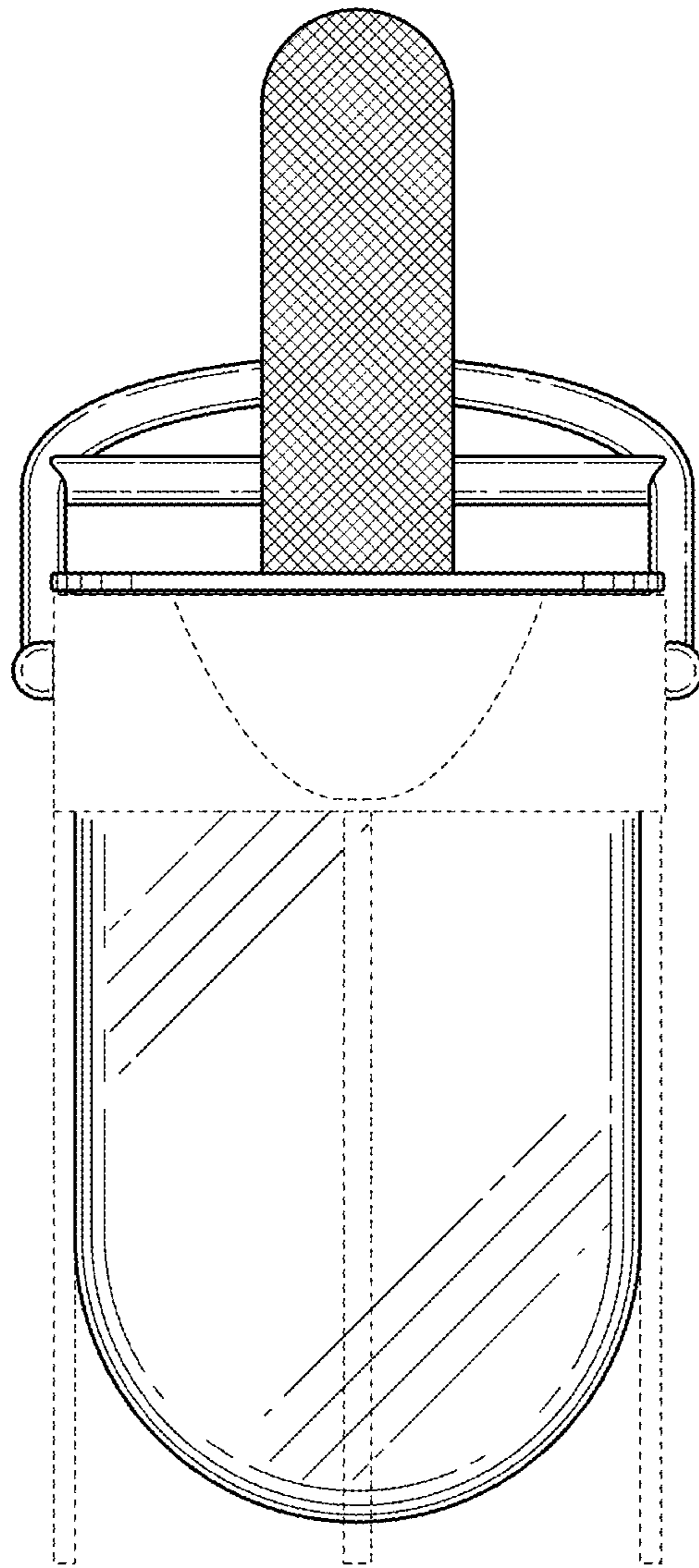


FIG. 4

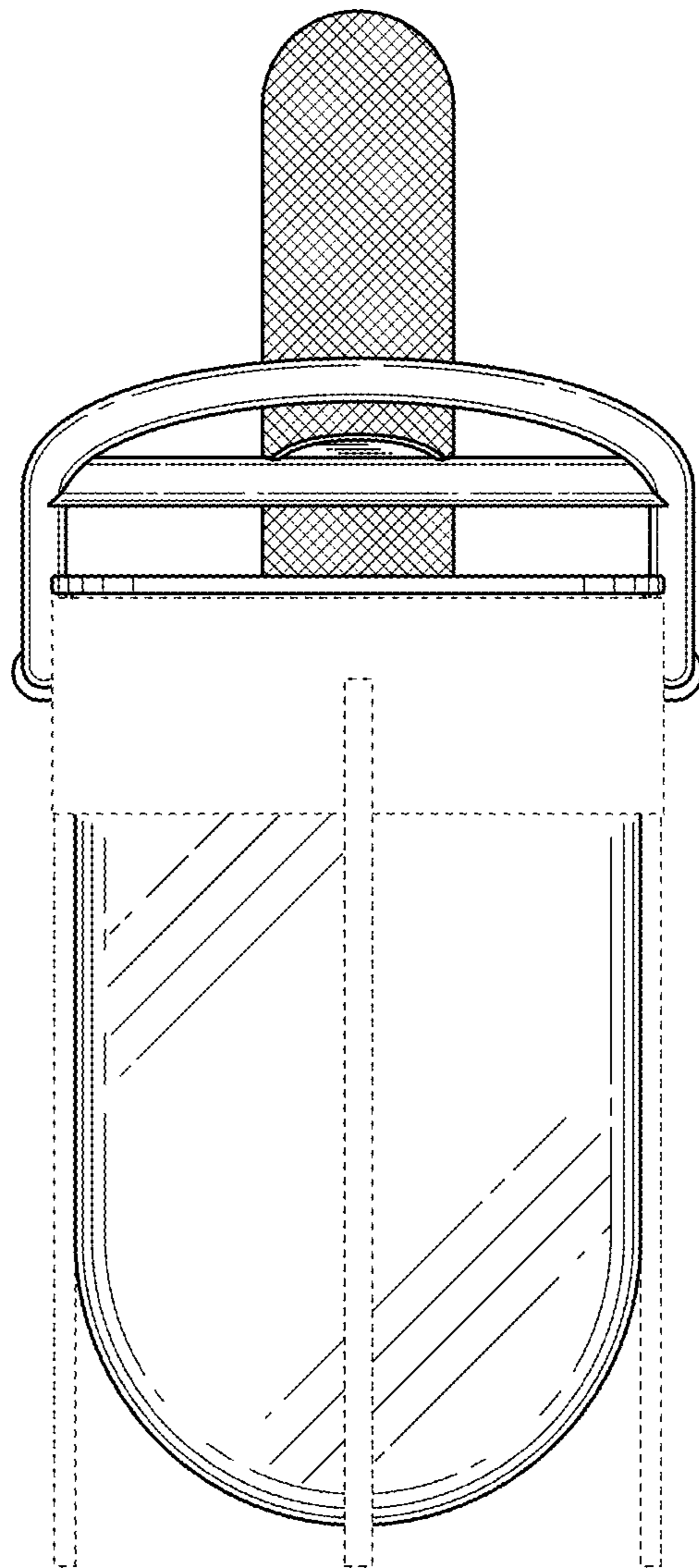


FIG. 5

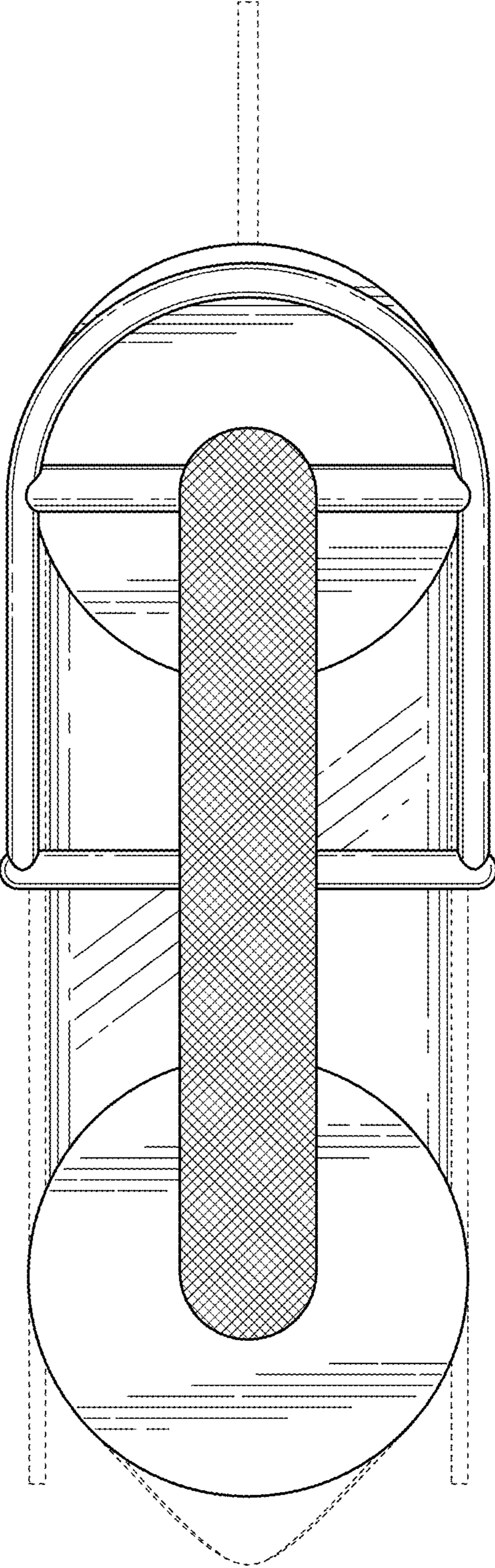


FIG. 6

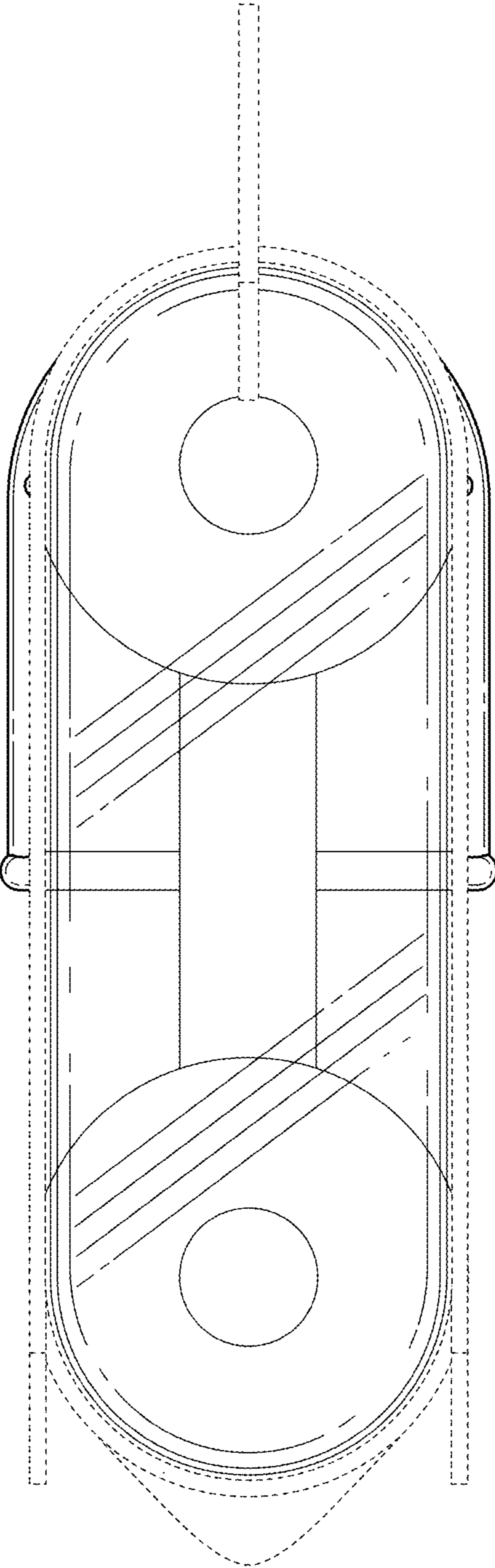


FIG. 7

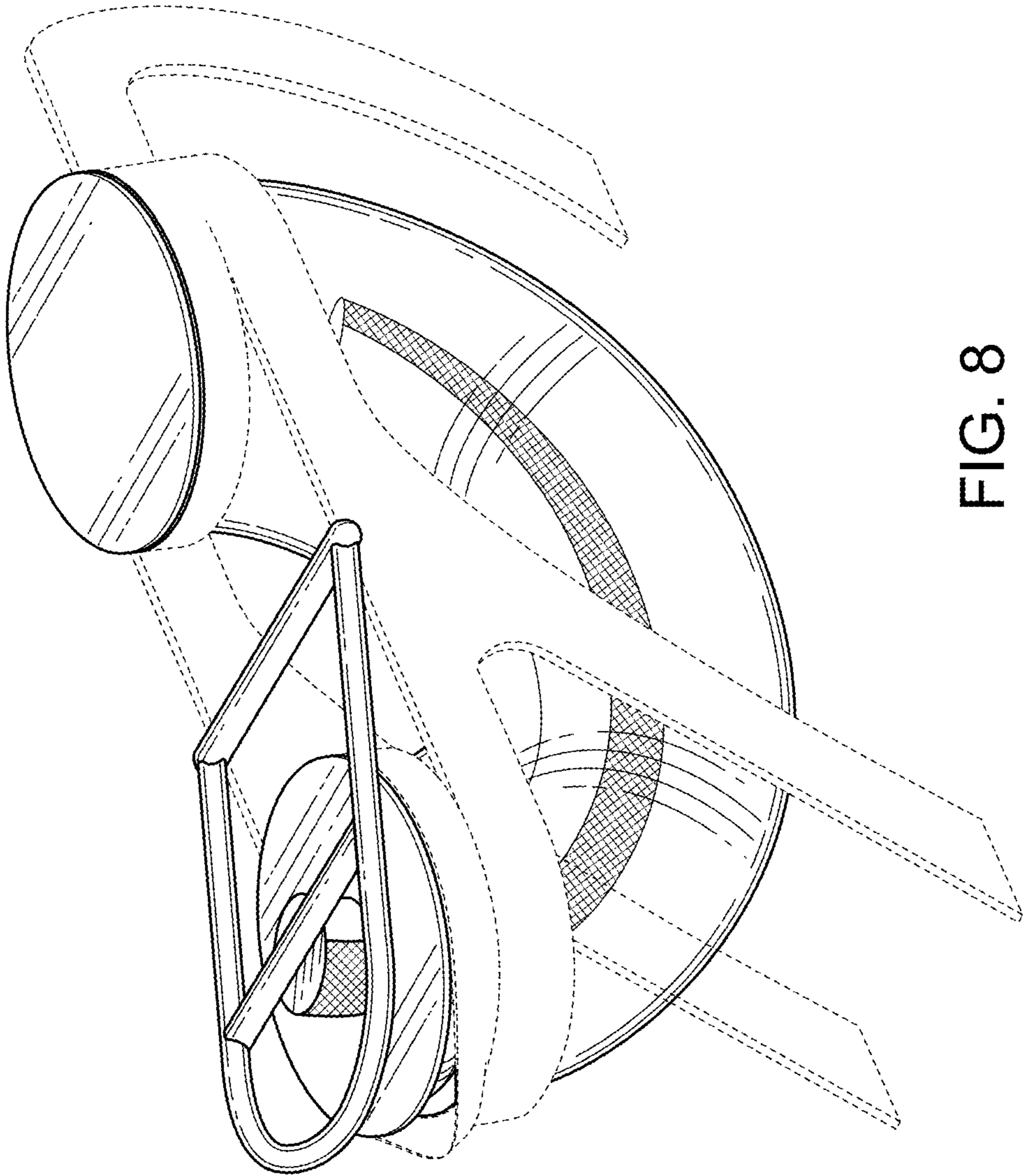


FIG. 8

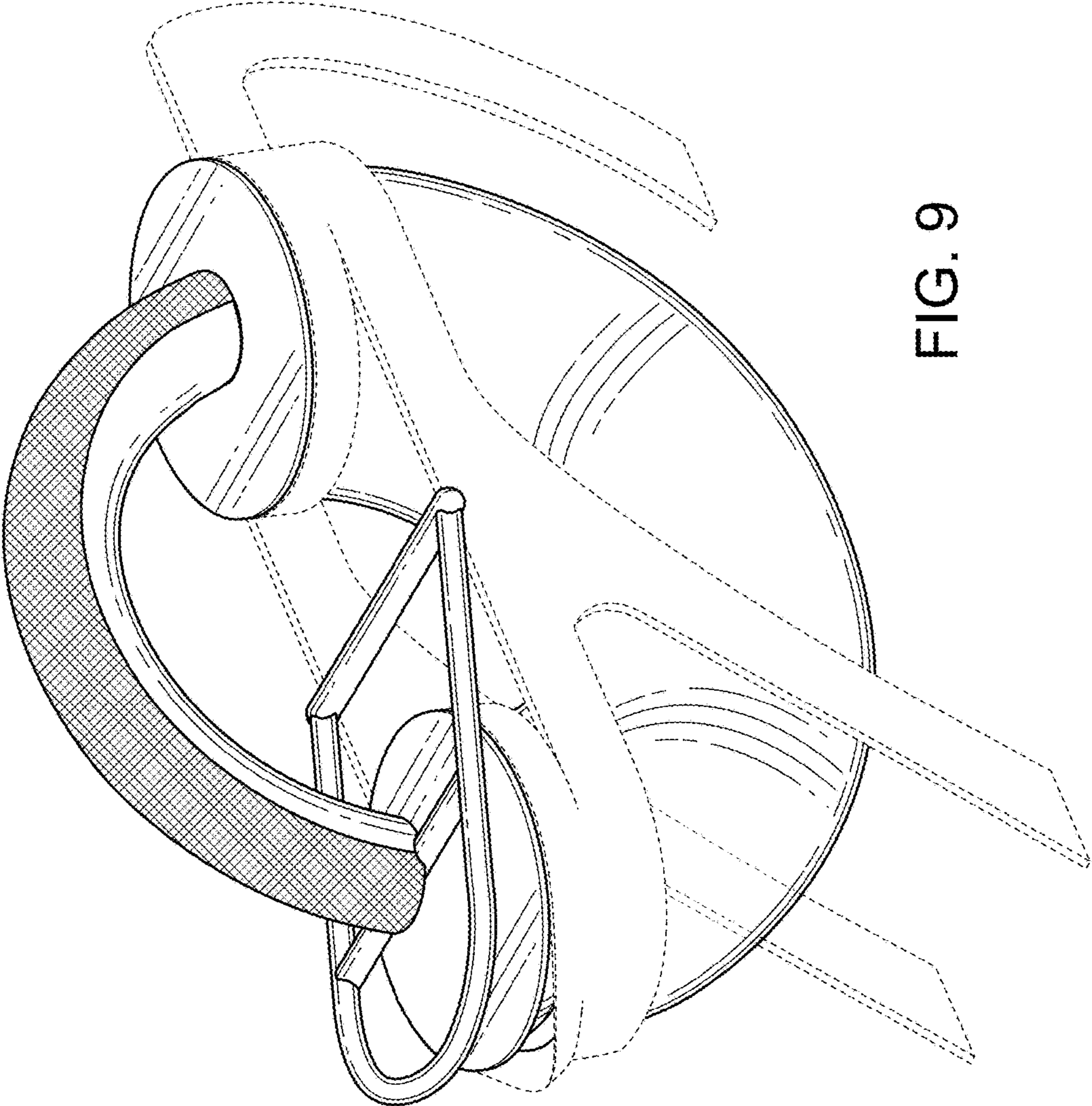


FIG. 9

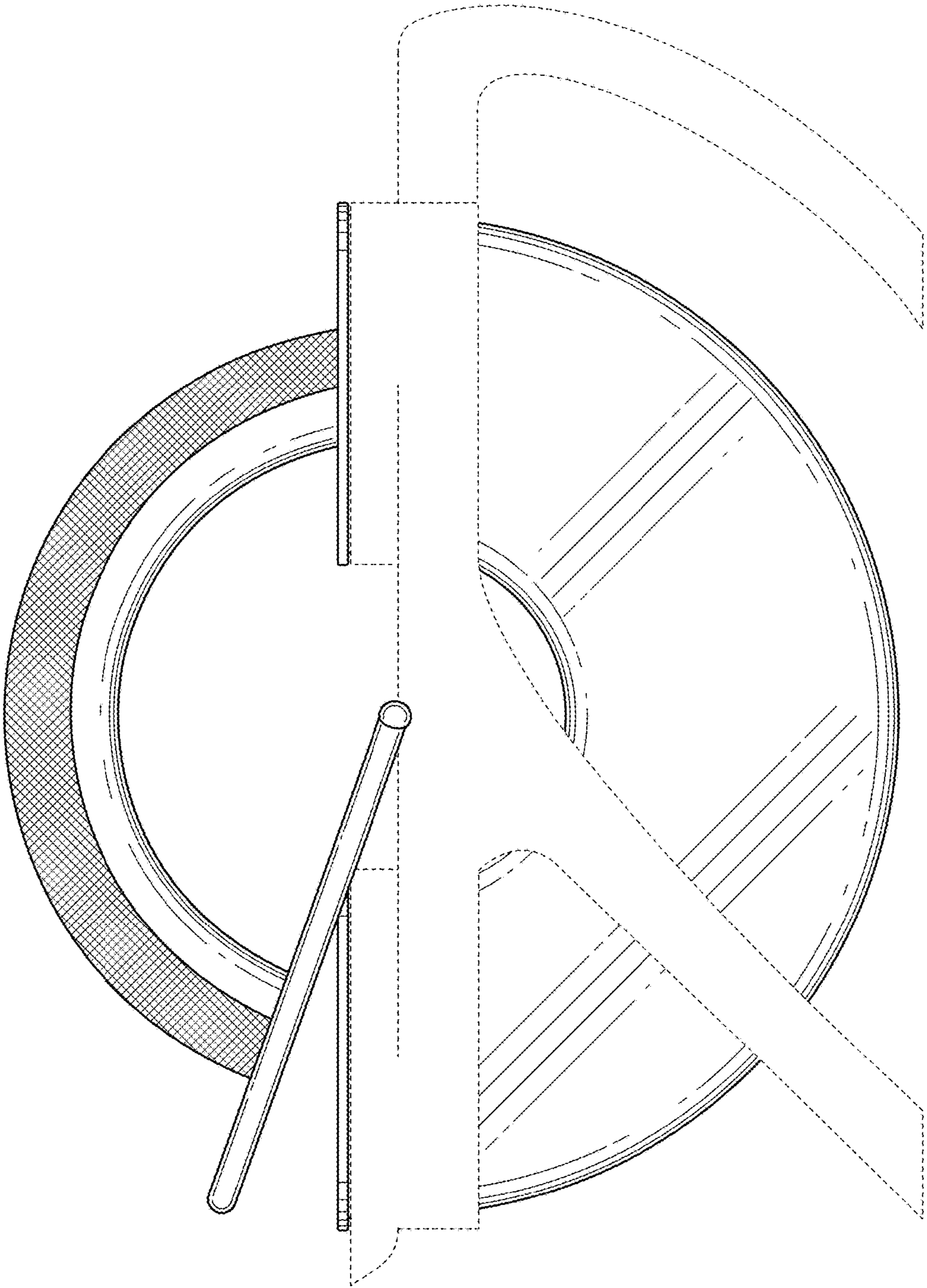


FIG. 10

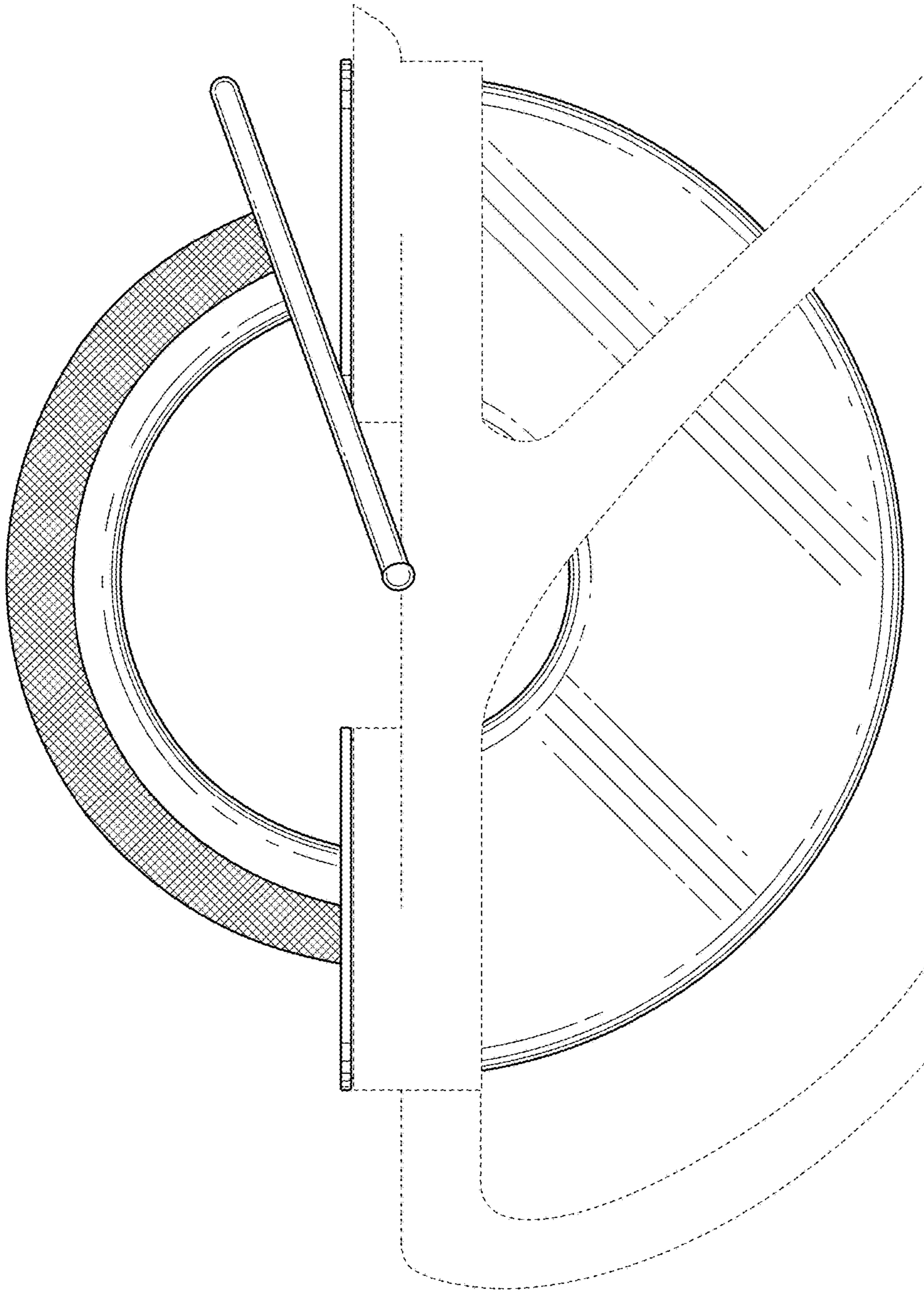


FIG. 11

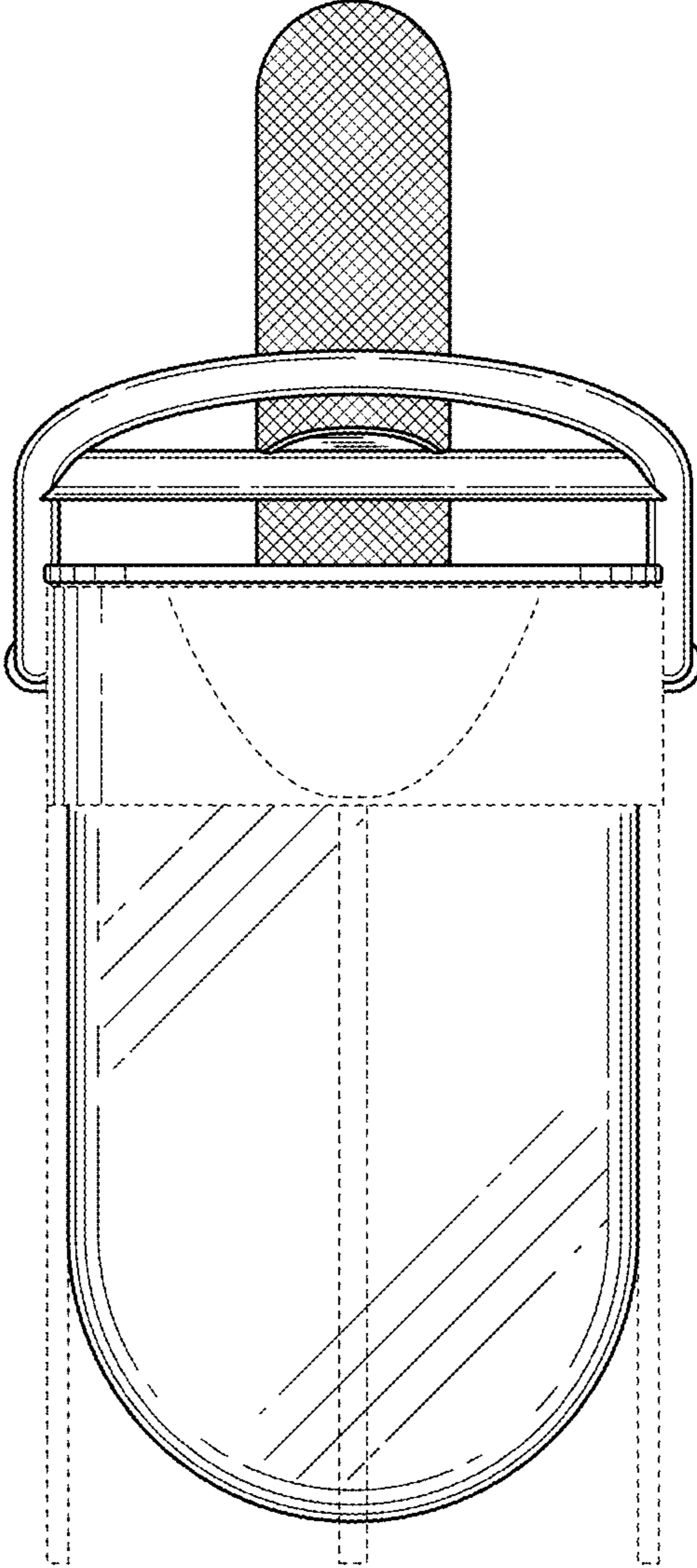


FIG. 12

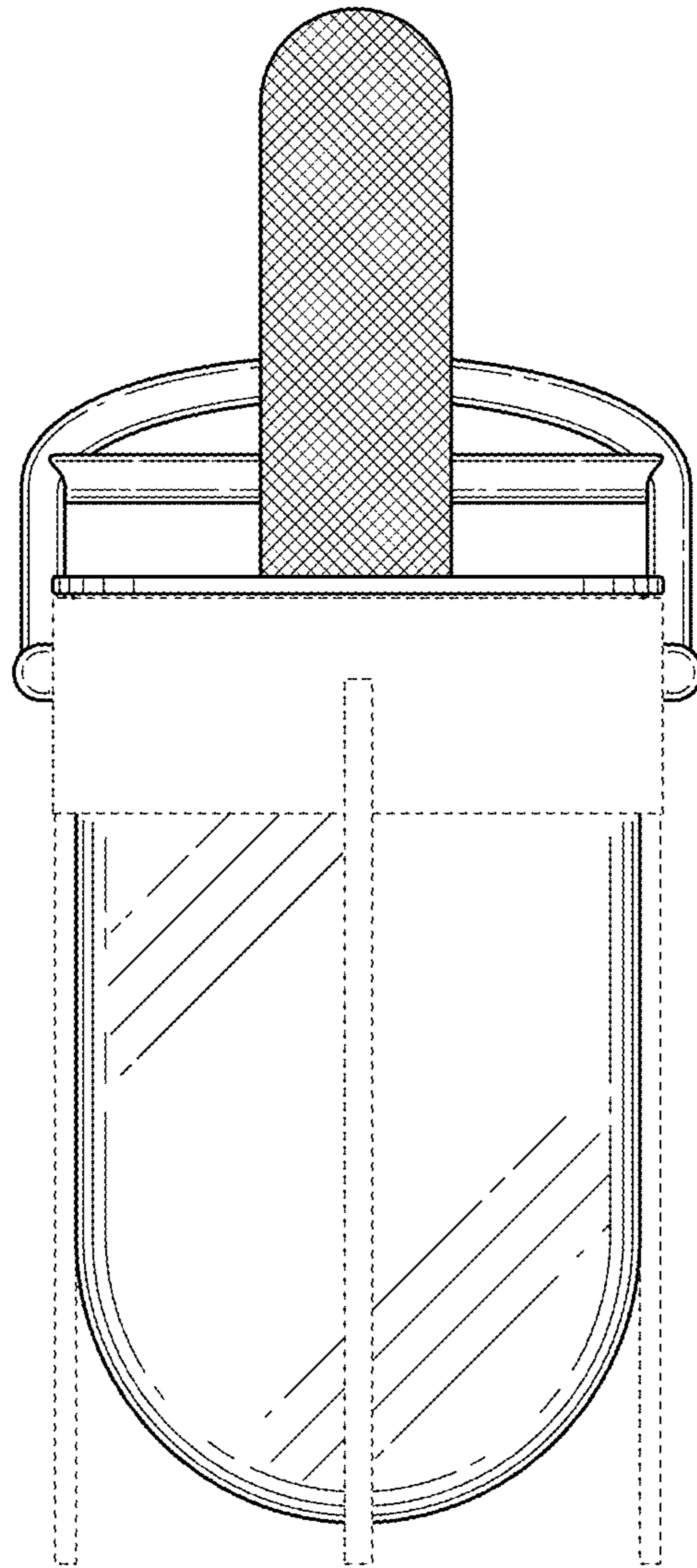


FIG. 13

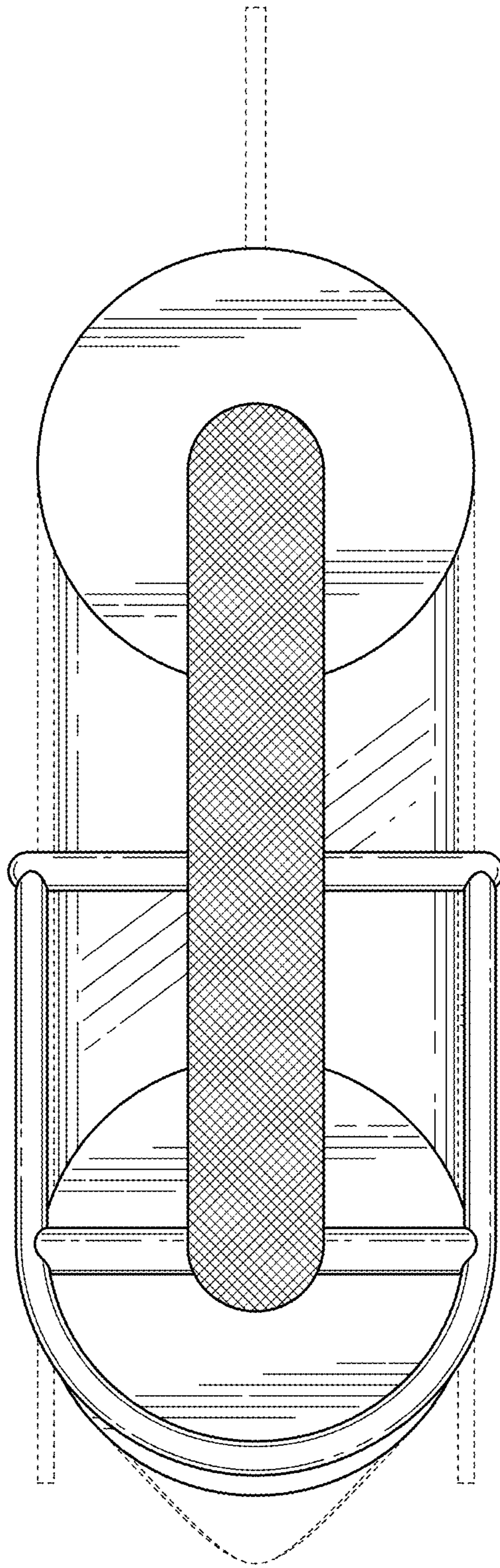


FIG. 14

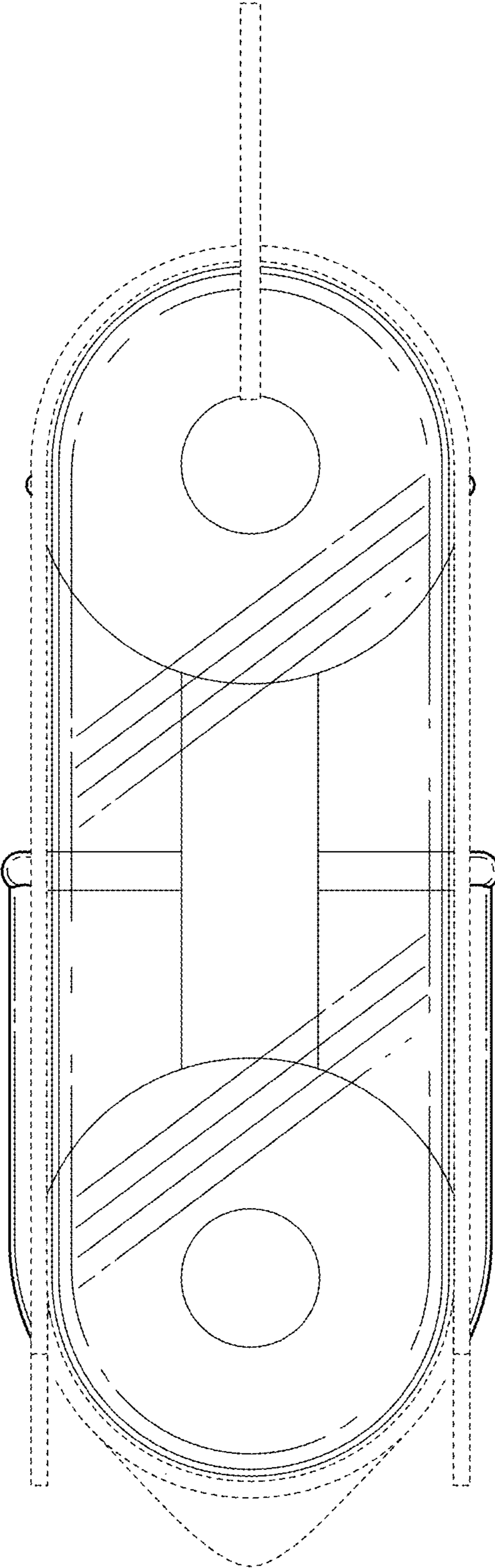


FIG. 15

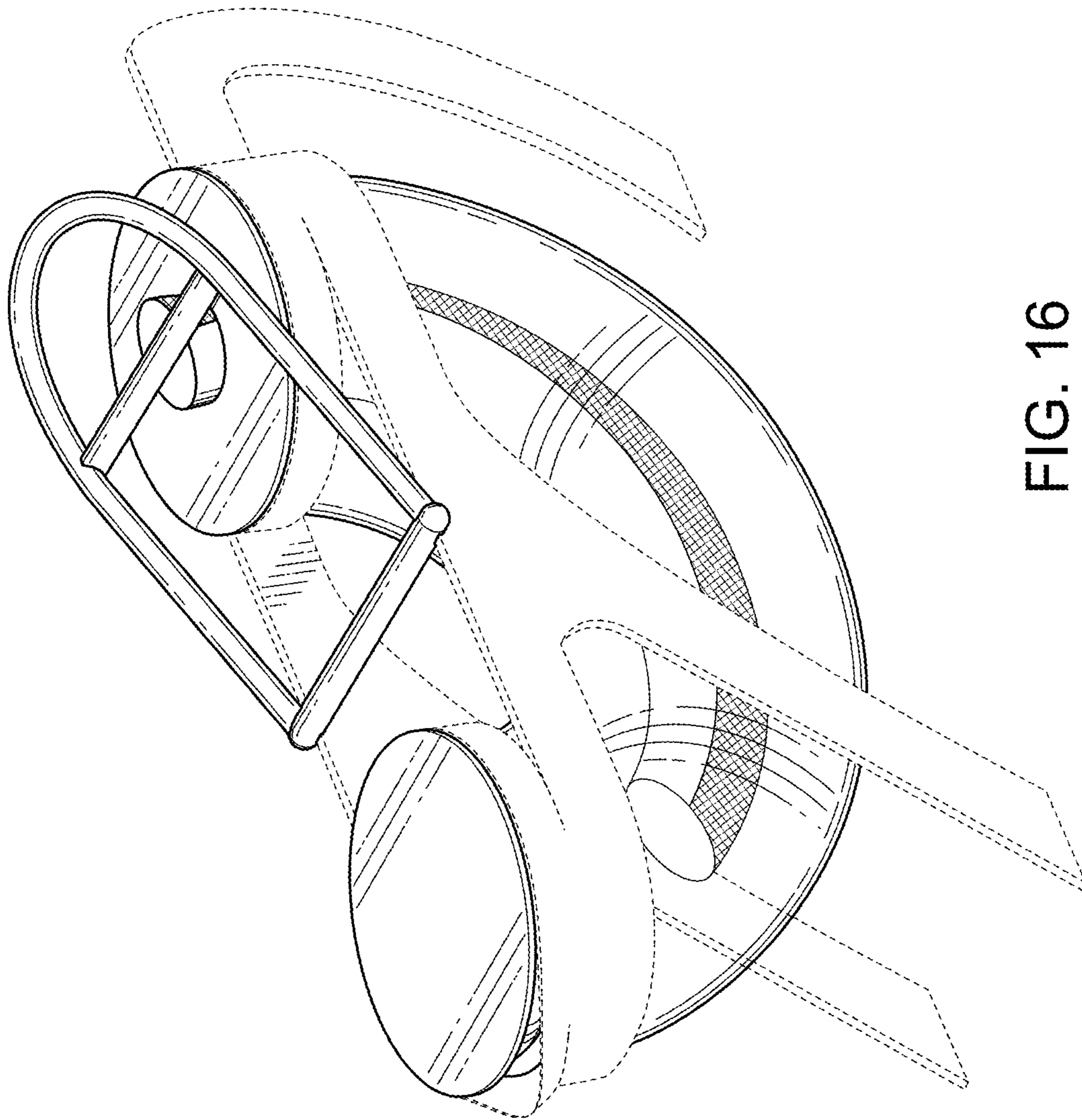


FIG. 16