

US00D793154S

(12) **United States Design Patent** (10) **Patent No.:** **US D793,154 S**
Sorensen et al. (45) **Date of Patent:** **** Aug. 1, 2017**

(54) **LID FOR A CONTAINER**

DESCRIPTION

(71) Applicant: **RUNWAY BLUE, LLC**, Lehi, UT (US)

FIG. 1 is a top front right perspective view of a first embodiment of a lid for a container, showing our new design in condition of use;

(72) Inventors: **Steven M. Sorensen**, Alpine, UT (US);
David O. Meyers, East Layton, UT (US)

FIG. 2 is an enlarged top front perspective view of the lid for a container shown in FIG. 1;

(**) Term: **15 Years**

FIG. 3 is a top rear perspective view of the lid for a container shown in FIG. 2;

(21) Appl. No.: **29/546,708**

FIG. 4 is a front view of the lid for a container shown in FIG. 2;

(22) Filed: **Nov. 24, 2015**

FIG. 5 is a rear view of the lid for a container shown in FIG. 2;

(51) **LOC (10) Cl.** **07-01**

FIG. 6 is a left side view of the lid for a container shown in FIG. 2;

(52) **U.S. Cl.**

FIG. 7 is a right side view of the lid for a container shown in FIG. 2;

USPC **D7/392.1**

FIG. 8 is a top view of the lid for a container shown in FIG. 2;

(58) **Field of Classification Search**

USPC D7/391, 392, 392.1, 396.1, 396.2, 509,
D7/510, 511, 620; D9/435, 436, 440,
D9/447, 516

FIG. 9 is a bottom view of the lid for a container shown in FIG. 2;

(Continued)

FIG. 10 is a top front perspective view of a lid for a container, illustrating the lid in an open position;

(56) **References Cited**

U.S. PATENT DOCUMENTS

FIG. 11 is a top rear perspective view of the lid for a container shown in FIG. 10;

D653,081 S * 1/2012 George D7/316

FIG. 12 is a front view of the lid for a container shown in FIG. 10;

D700,014 S * 2/2014 Zeanah D7/510

FIG. 13 is a rear view of the lid for a container shown in FIG. 10;

(Continued)

FIG. 14 is a left side view of the lid for a container shown in FIG. 10;

OTHER PUBLICATIONS

“Contigo Autospout Addison Water Bottle”. Found online Aug. 26, 2015 at amazon.com. Page dated Jan. 2, 2012. Retrieved from http://www.amazon.com/Contigo-Autospout-Addison-24-Ounce-watermelon/dp/B00C5G3PCC/ref=cm_cr_pr_product_top?ie=UTF8.*

FIG. 15 is a right side view of the lid for a container shown in FIG. 10;

(Continued)

FIG. 16 is a top view of the lid for a container shown in FIG. 10;

Primary Examiner — Robert M Spear

FIG. 17 is a bottom view of the lid for a container shown in FIG. 10;

Assistant Examiner — Kendra L Hamilton

FIG. 18 is a top front right perspective view of a second embodiment of a lid for a container;

(74) *Attorney, Agent, or Firm* — Maschoff Brennan

FIG. 19 is a top rear perspective view of the lid for a container shown in FIG. 18;

(57) **CLAIM**

The ornamental design for a lid for a container, as shown and described.

FIG. 20 is a front view of the lid for a container shown in FIG. 18;

FIG. 21 is a rear view of the lid for a container shown in FIG. 18;

(Continued)

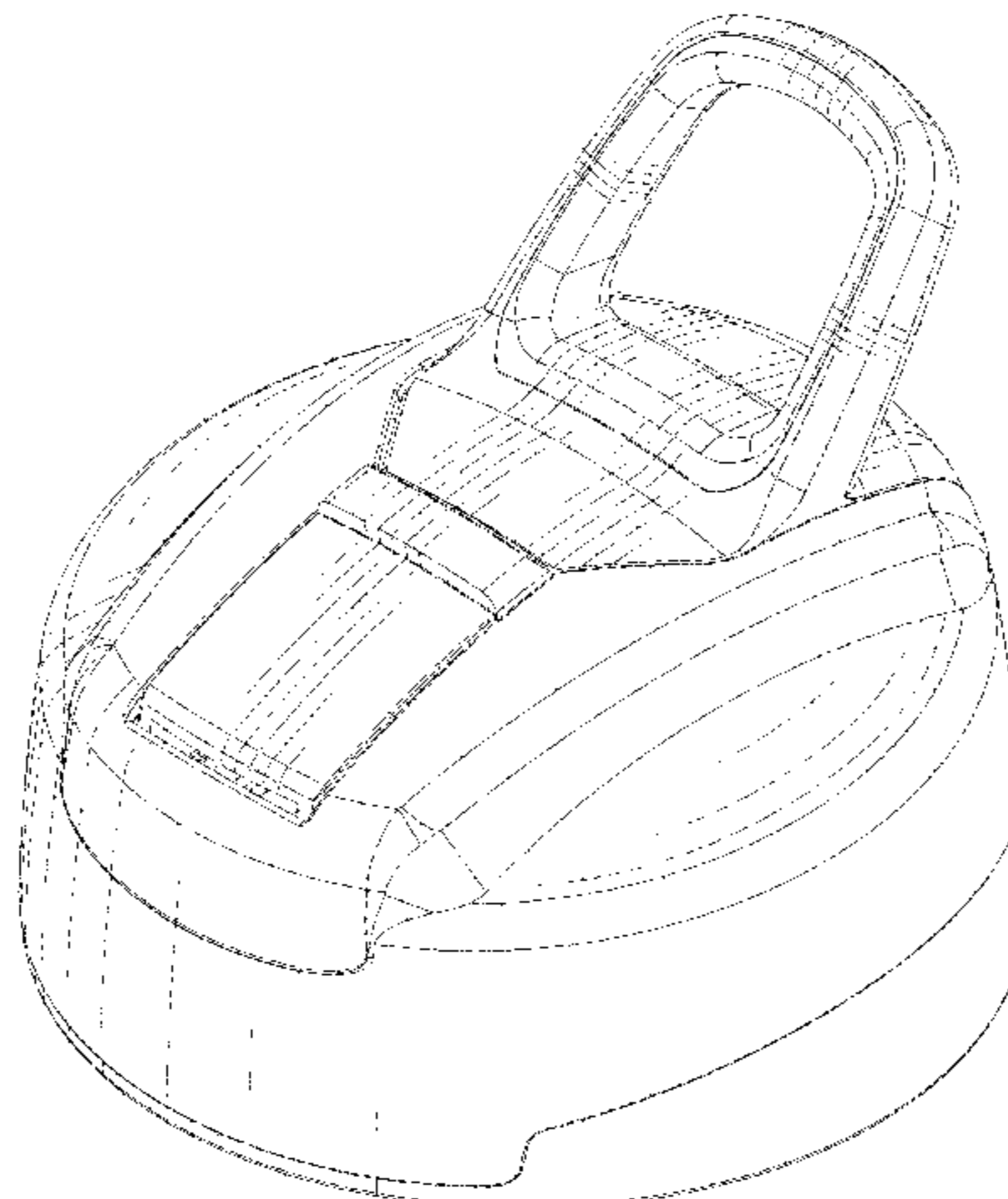


FIG. 22 is a left side view of the lid for a container shown in FIG. 18;
 FIG. 23 is a right side view of the lid for a container shown in FIG. 18;
 FIG. 24 is a top view of the lid for a container shown in FIG. 18;
 FIG. 25 is a bottom view of the lid for a container shown in FIG. 18;
 FIG. 26 is a top front perspective view of a lid for a container, illustrating the lid in an open position;
 FIG. 27 is a top rear perspective view of the lid for a container shown in FIG. 26;
 FIG. 28 is a front view of the lid for a container shown in FIG. 26;
 FIG. 29 is a rear view of the lid for a container shown in FIG. 26;
 FIG. 30 is a left side view of the lid for a container shown in FIG. 26;
 FIG. 31 is a right side view of the lid for a container shown in FIG. 26;
 FIG. 32 is a top view of the lid for a container shown in FIG. 26; and,
 FIG. 33 is a bottom view of the lid for a container shown in FIG. 26.
 In the drawings, the broken lines depict environmental subject matter only and form no part of the claimed design.

1 Claim, 33 Drawing Sheets

(58) **Field of Classification Search**
 CPC A47G 19/2272
 See application file for complete search history.

(56)

References Cited

U.S. PATENT DOCUMENTS

D720,184	S	*	12/2014	Gilbert	D7/300.1
D729,569	S	*	5/2015	Herbst	D7/392
D742,230	S	*	11/2015	Charles	D7/396.2
D745,827	S		12/2015	Sorensen et al.		
D747,136	S	*	1/2016	Lane	D7/396.2
D748,430	S		2/2016	Sorensen et al.		
D756,702	S	*	5/2016	Joseph	D7/392.1
D768,491	S	*	10/2016	Sorensen	D7/392.1
2006/0226110	A1	*	10/2006	Choi	A47G 19/2266 215/228
2010/0181329	A1	*	7/2010	Davies	A47G 19/2266 220/707
2011/0253733	A1	*	10/2011	Meyers	B65D 47/089 220/833
2015/0173539	A1	*	6/2015	Mason	A47G 19/2272 220/707
2015/0201773	A1		7/2015	Sorensen et al.		
2015/0201774	A1		7/2015	Sorensen et al.		
2015/0201775	A1		7/2015	Sorensen et al.		

OTHER PUBLICATIONS

“Groove Stainless .6L”. Found online Aug. 26, 2015 at shop.camelbak.com. Page dated Nov. 21, 2011. Retrieved from <http://shop.camelbak.com/groove-stainless-6l/d/1206>.*

“Contigo Shake & Go Fit Shaker Bottle”. Found online Oct. 26, 2016 at amazon.com. Page dated Jul. 7, 2014. Retrieved from <https://www.amazon.com/Contigo-Shake-Shaker-Bottle-Black/dp/B00LX6VHNE>.*

“BlenderBottle Classic Shaker Bottle”. Found online Oct. 26, 2016 at amazon.com. Page dated Jul. 19, 2004. Retrieved from <https://www.amazon.com/BlenderBottle-Classic-Shaker-Bottle-28-ounce/dp/B0018G4ZEW>.*

U.S. Appl. No. 14/951,405, filed Nov. 24, 2015, Sorensen, et al.

* cited by examiner

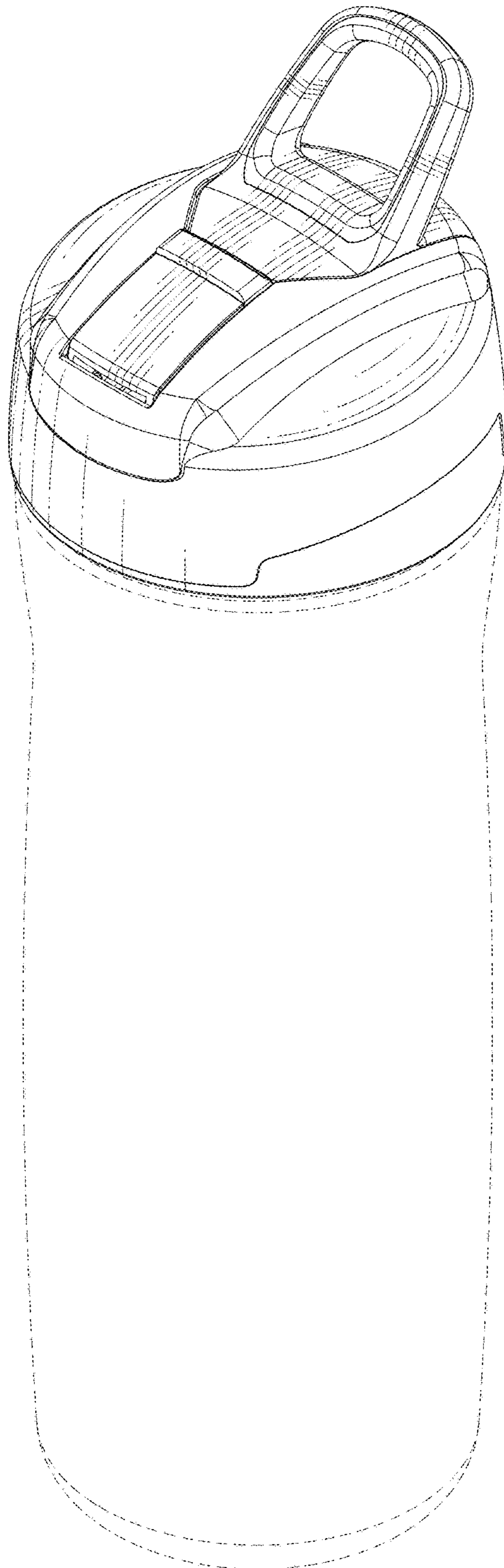


FIG. 1

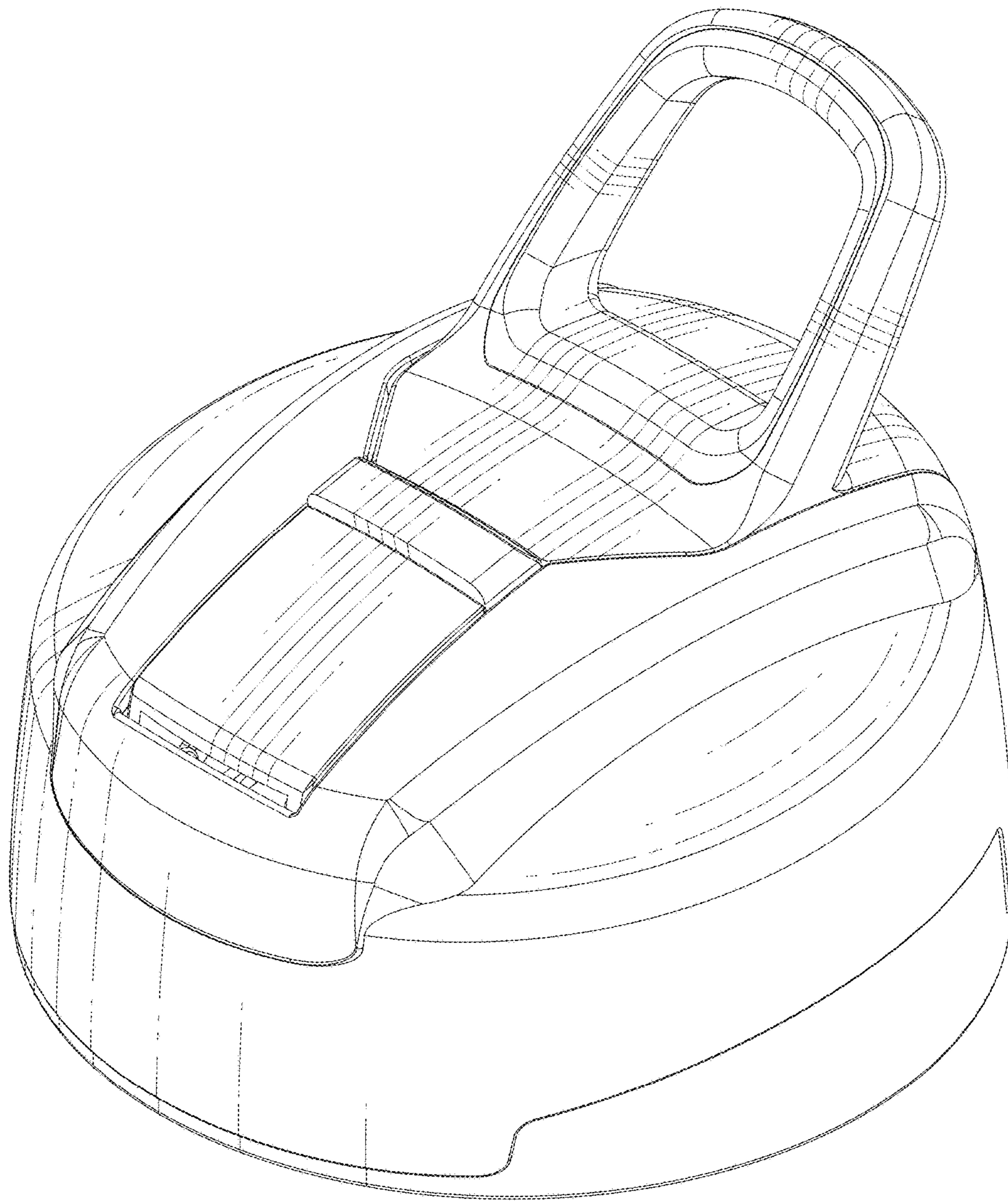


FIG. 2

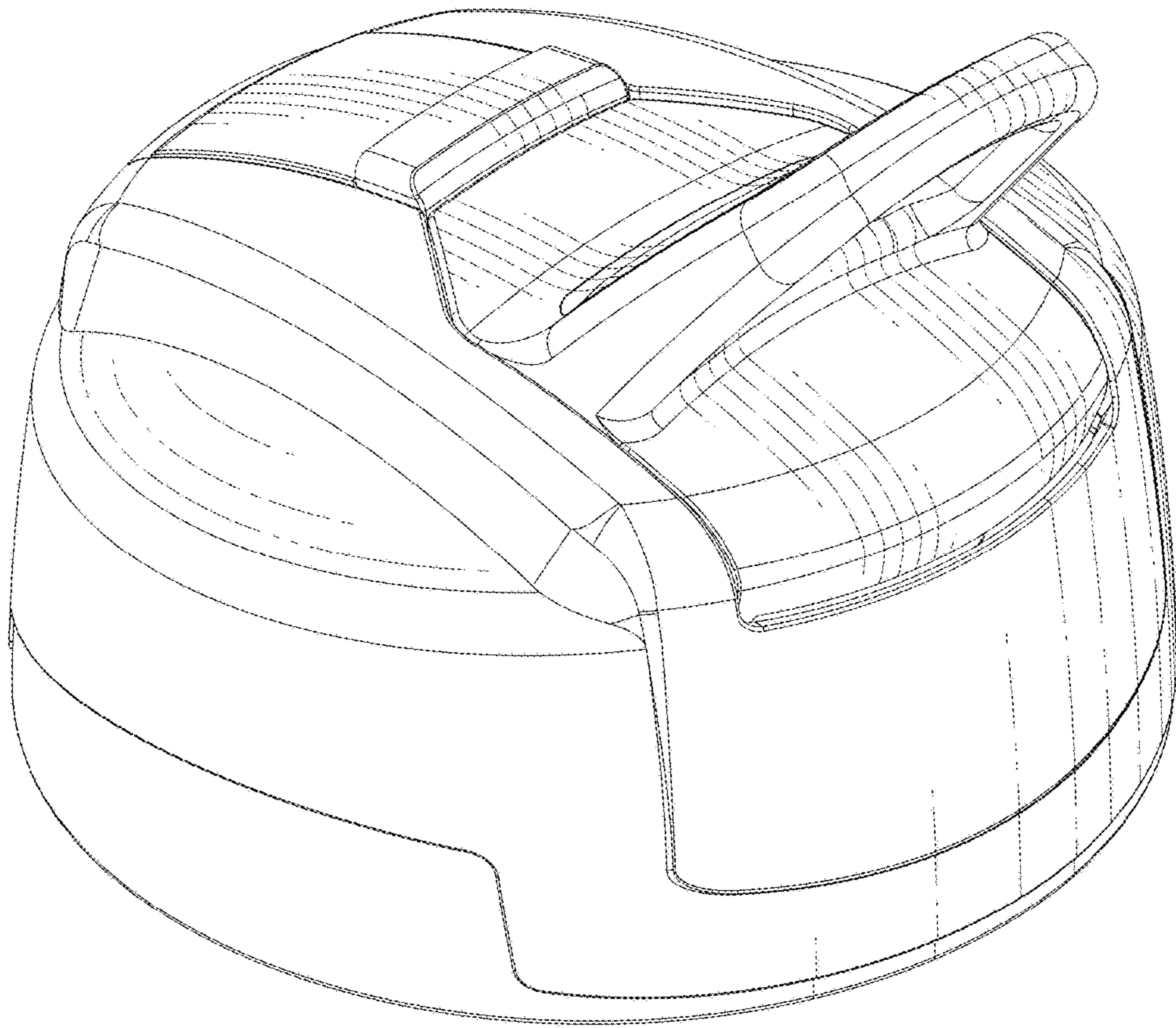


FIG. 3

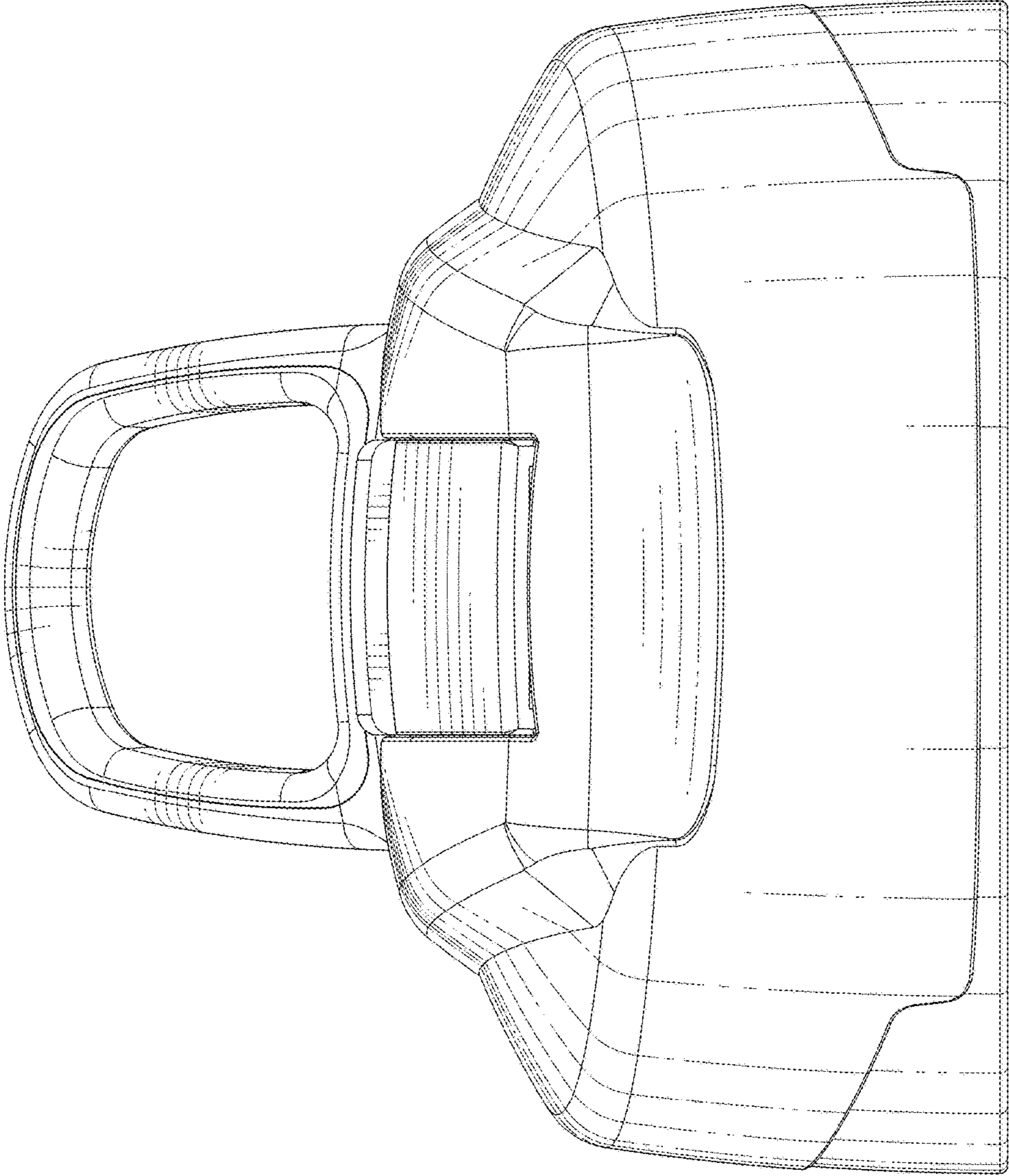


FIG. 4

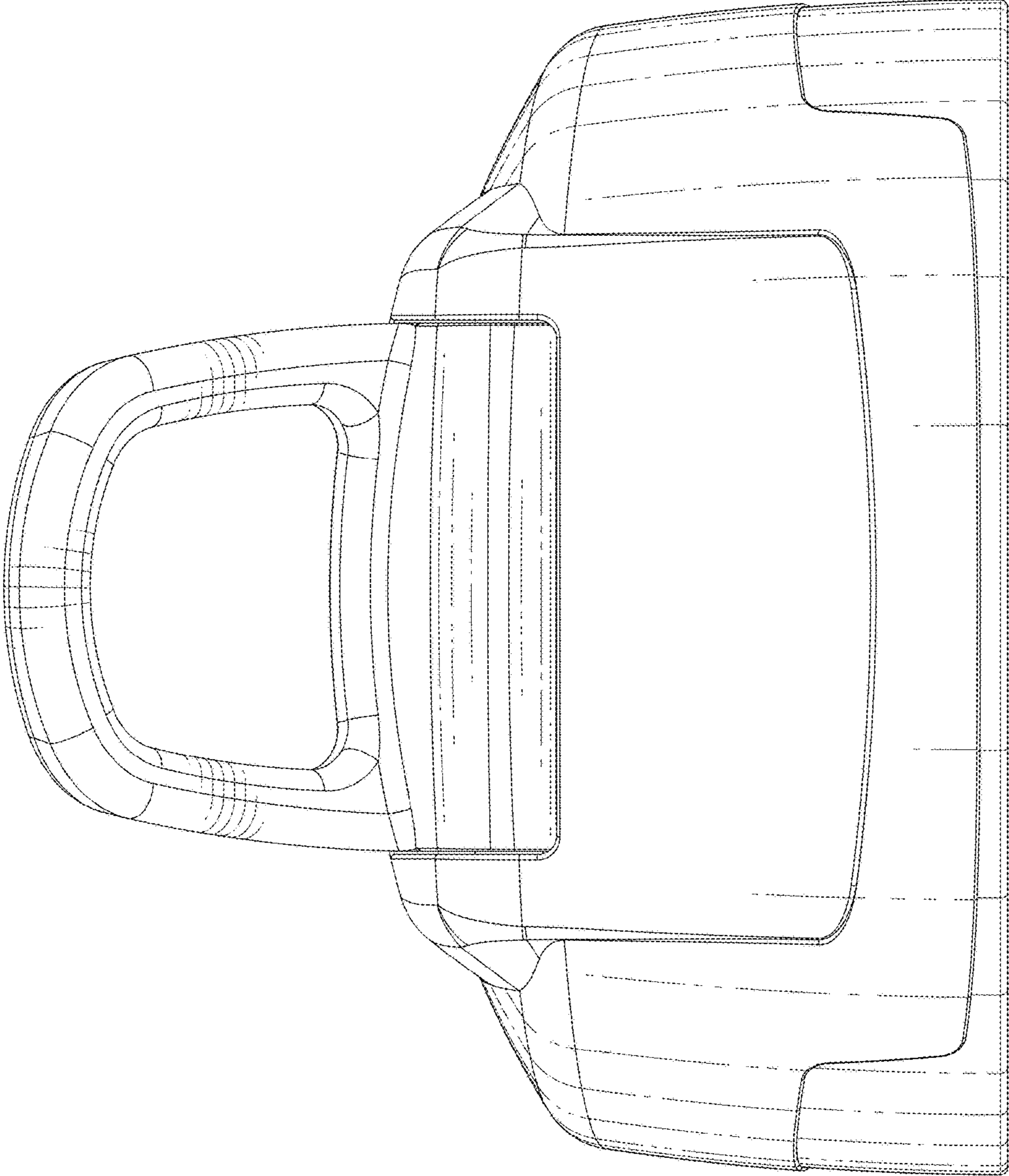


FIG. 5

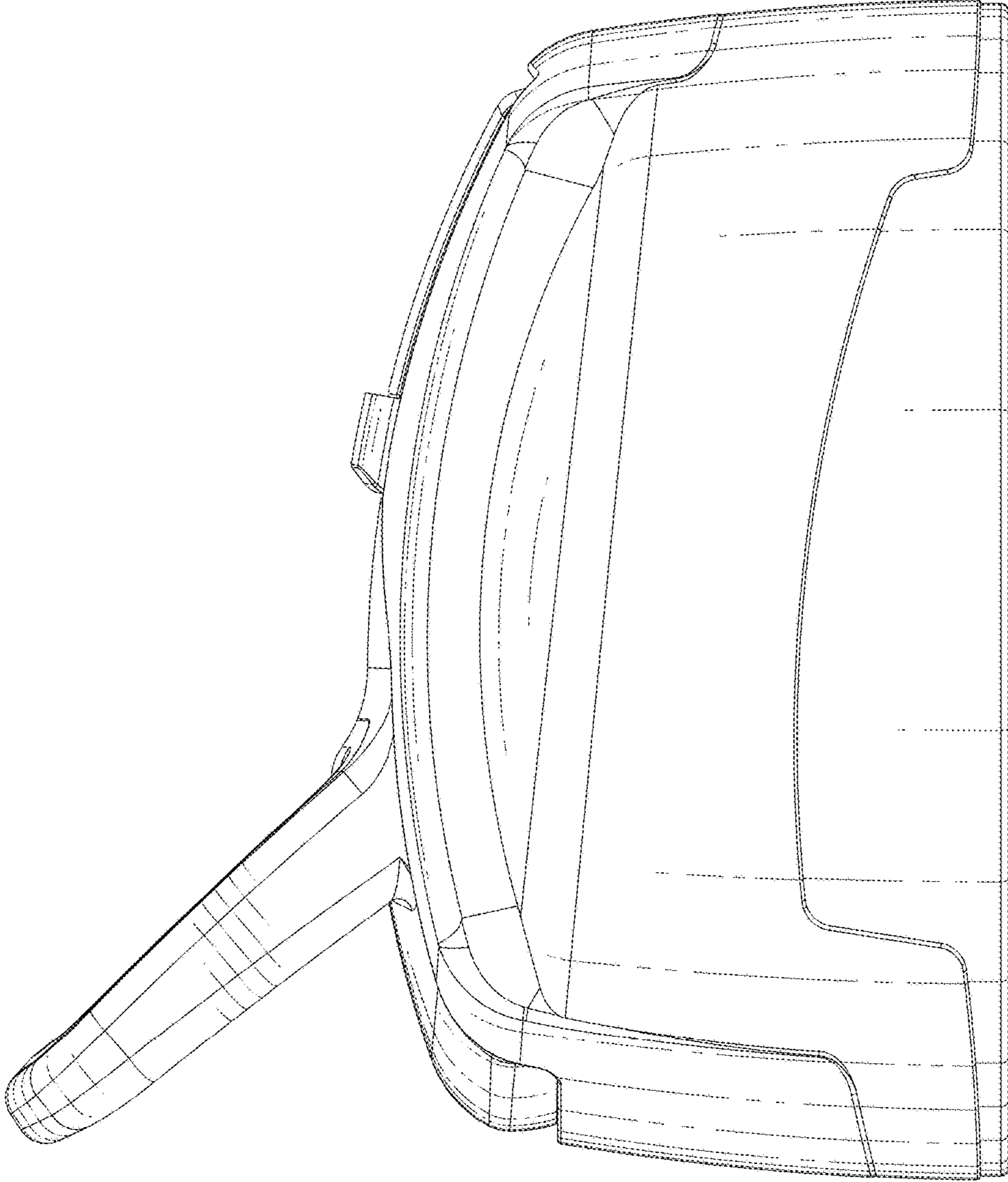


FIG. 6

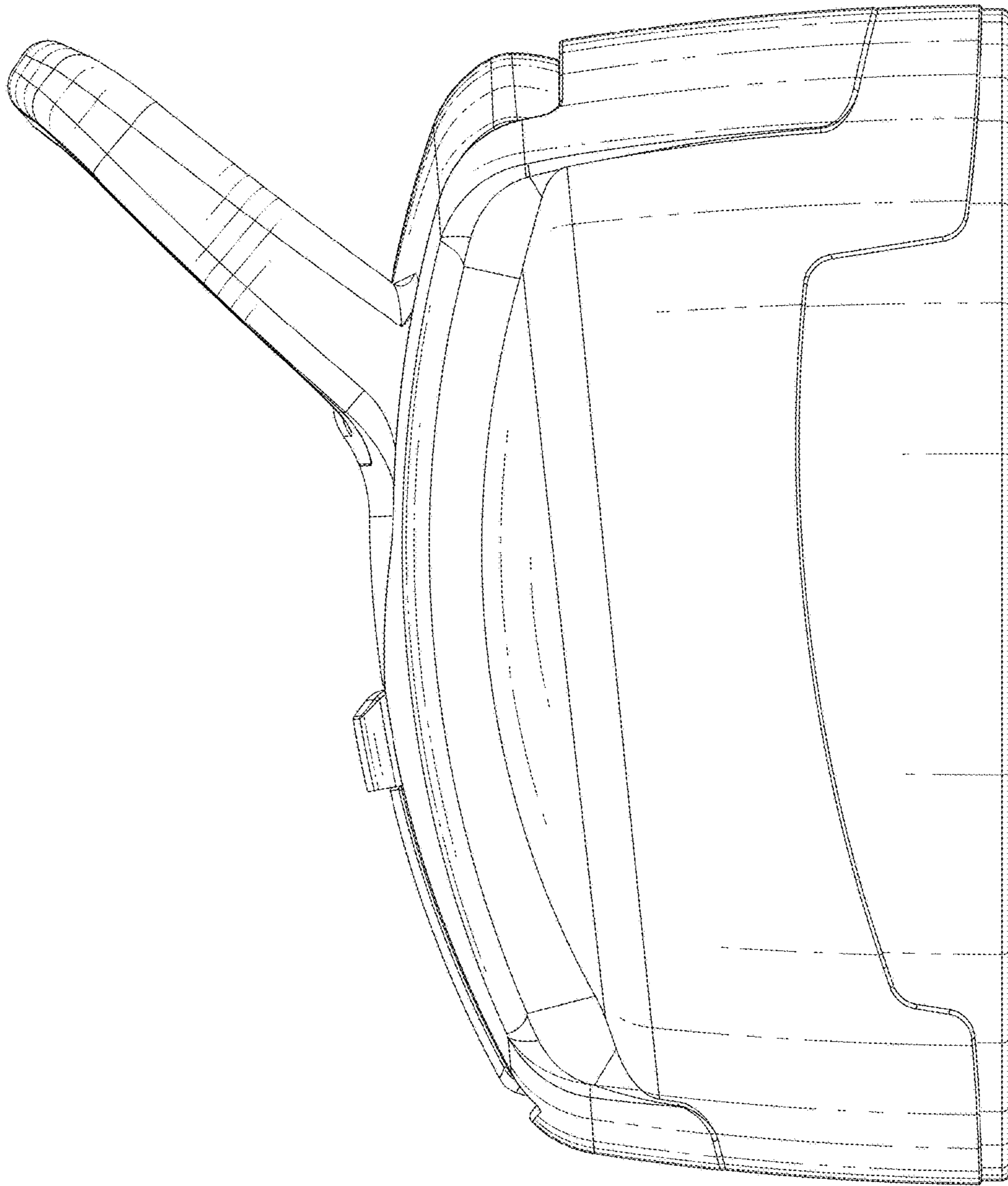


FIG. 7

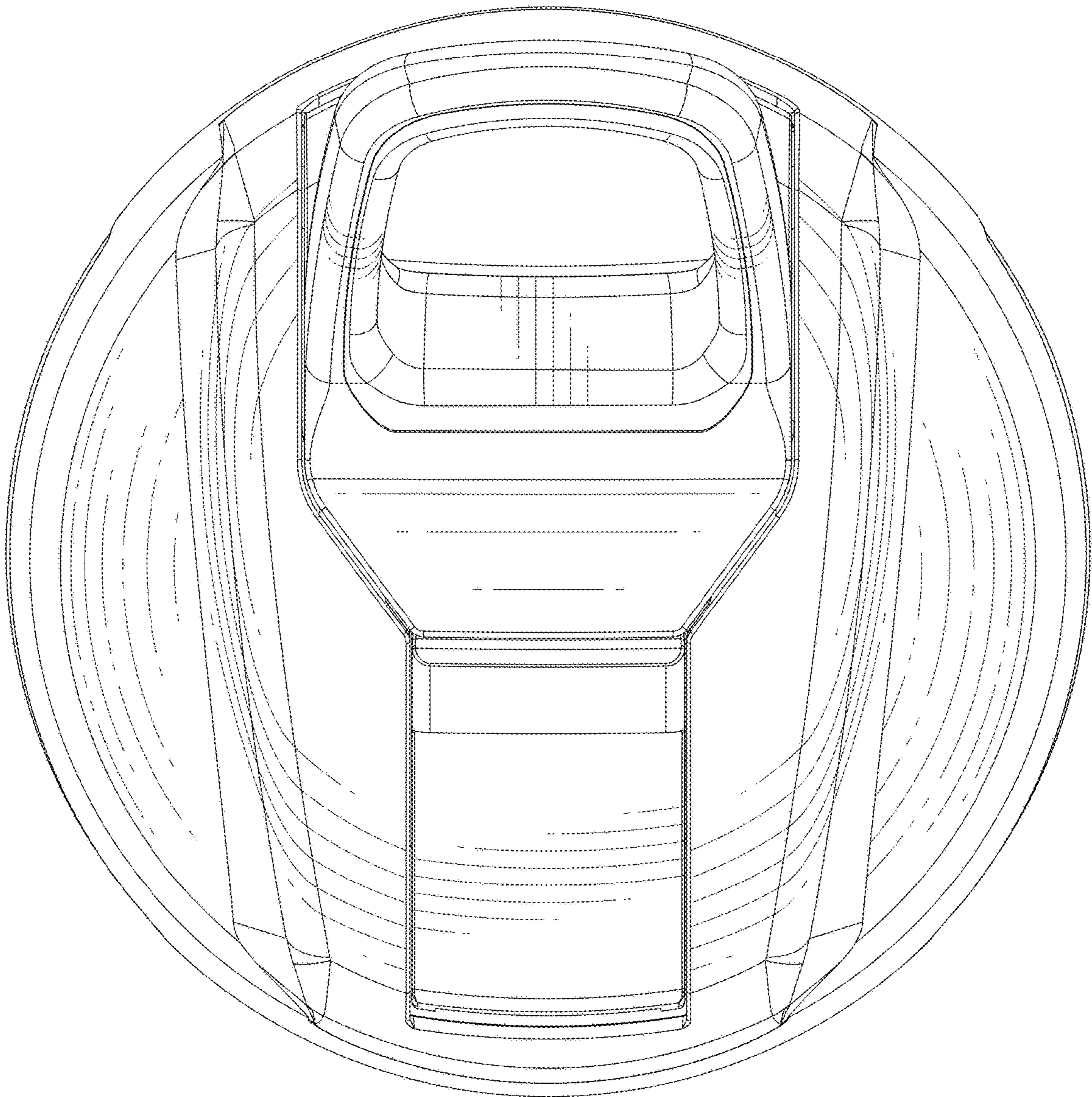


FIG. 8

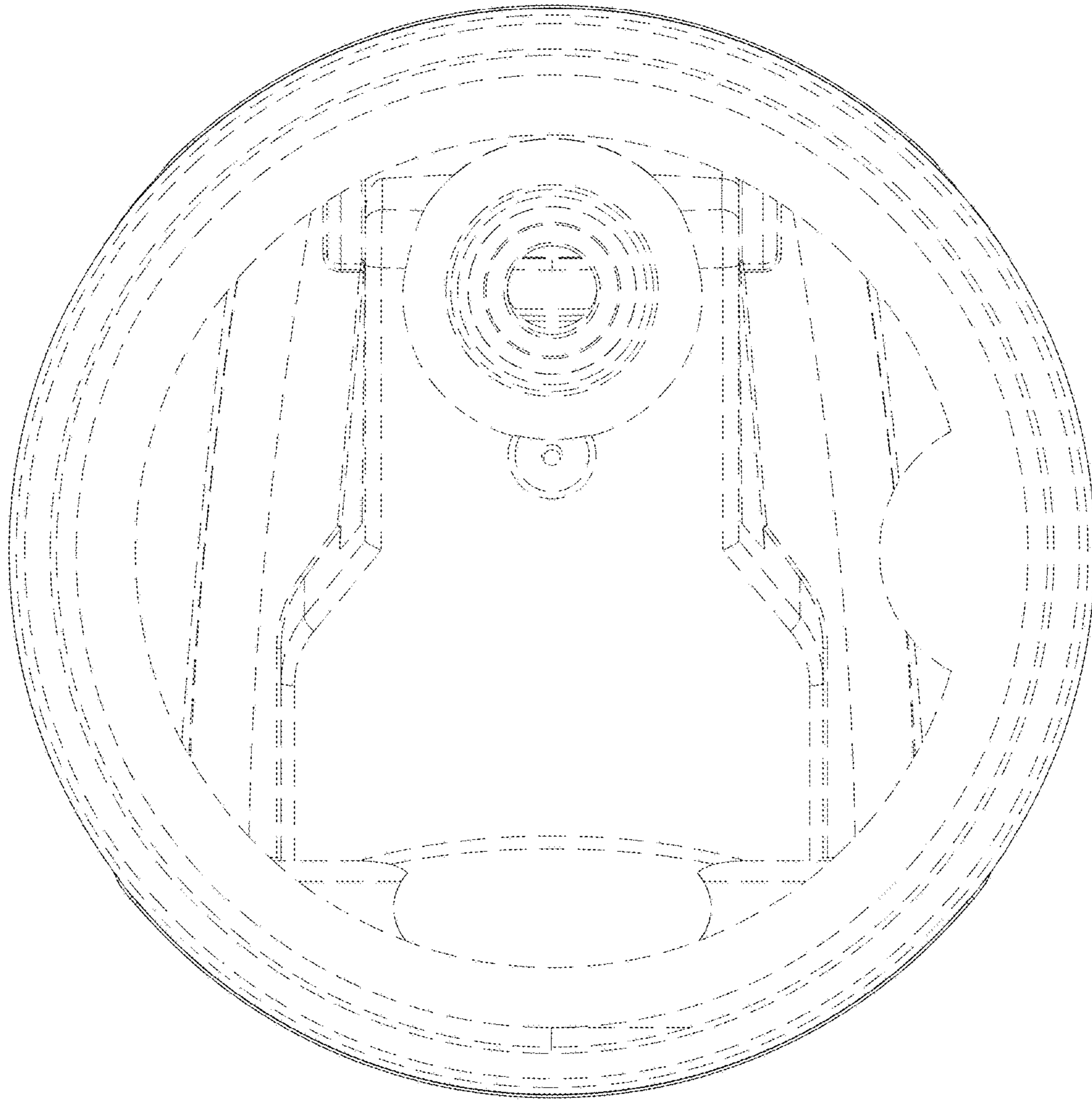


FIG. 9

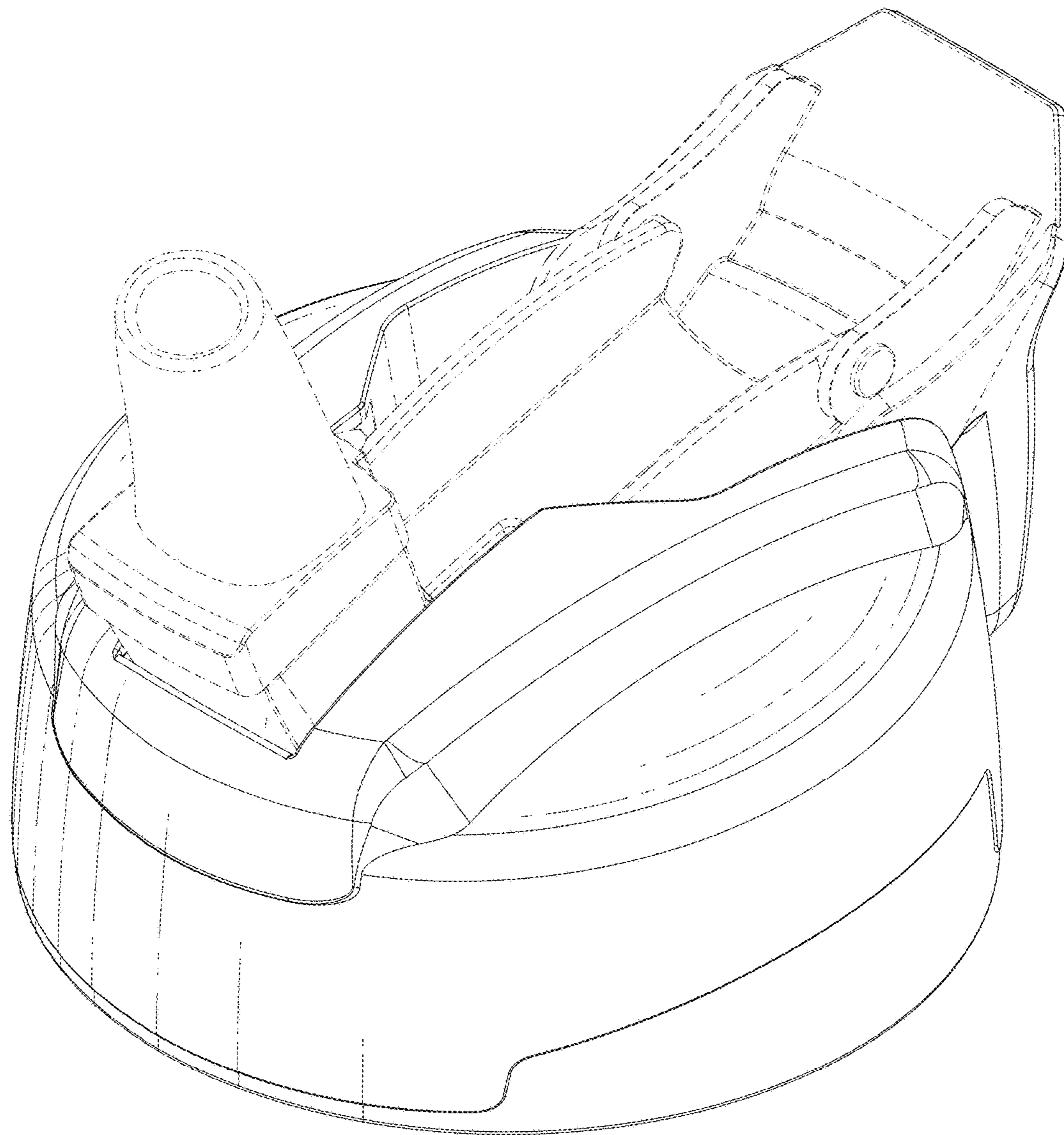


FIG. 10

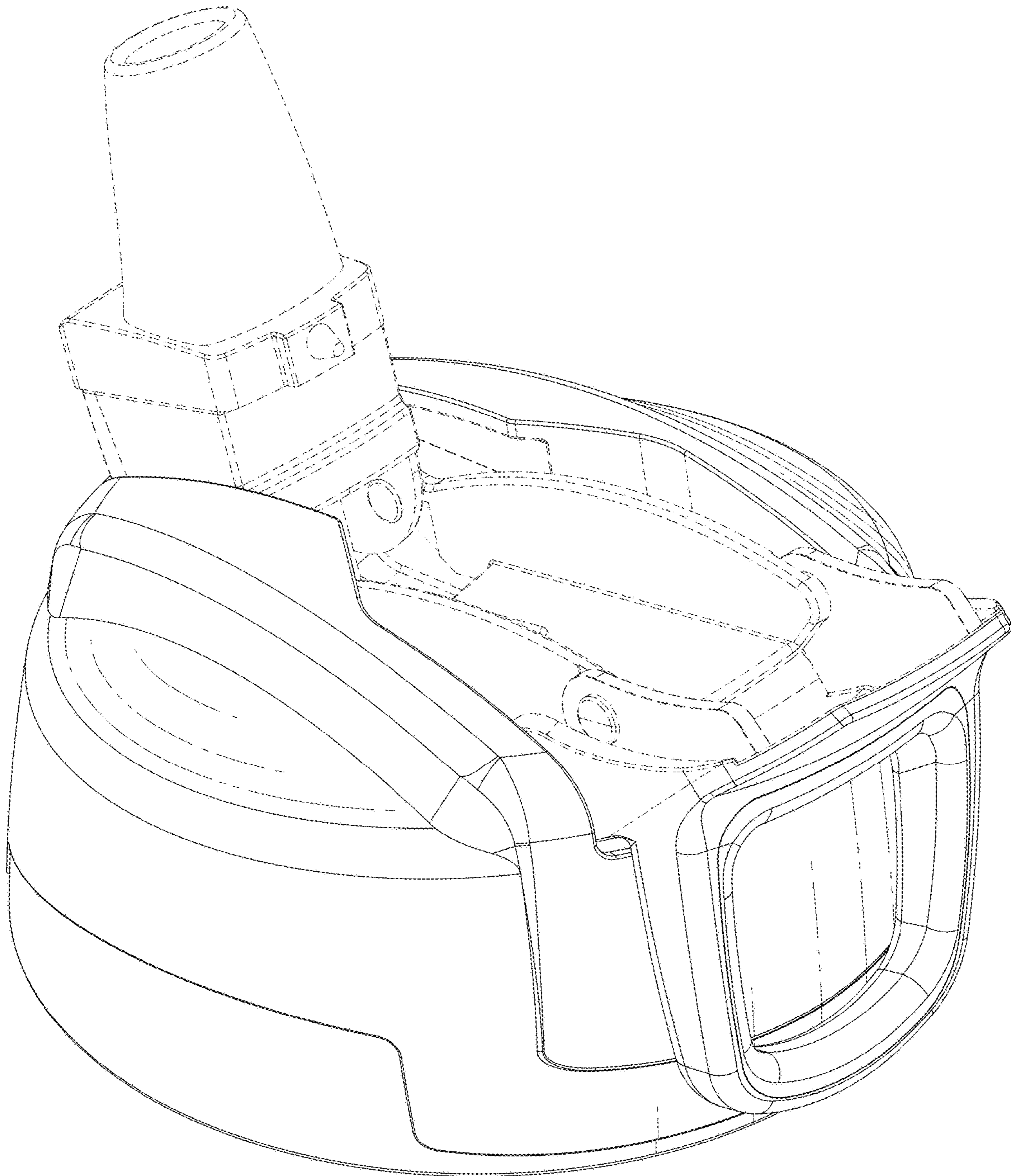


FIG. 11

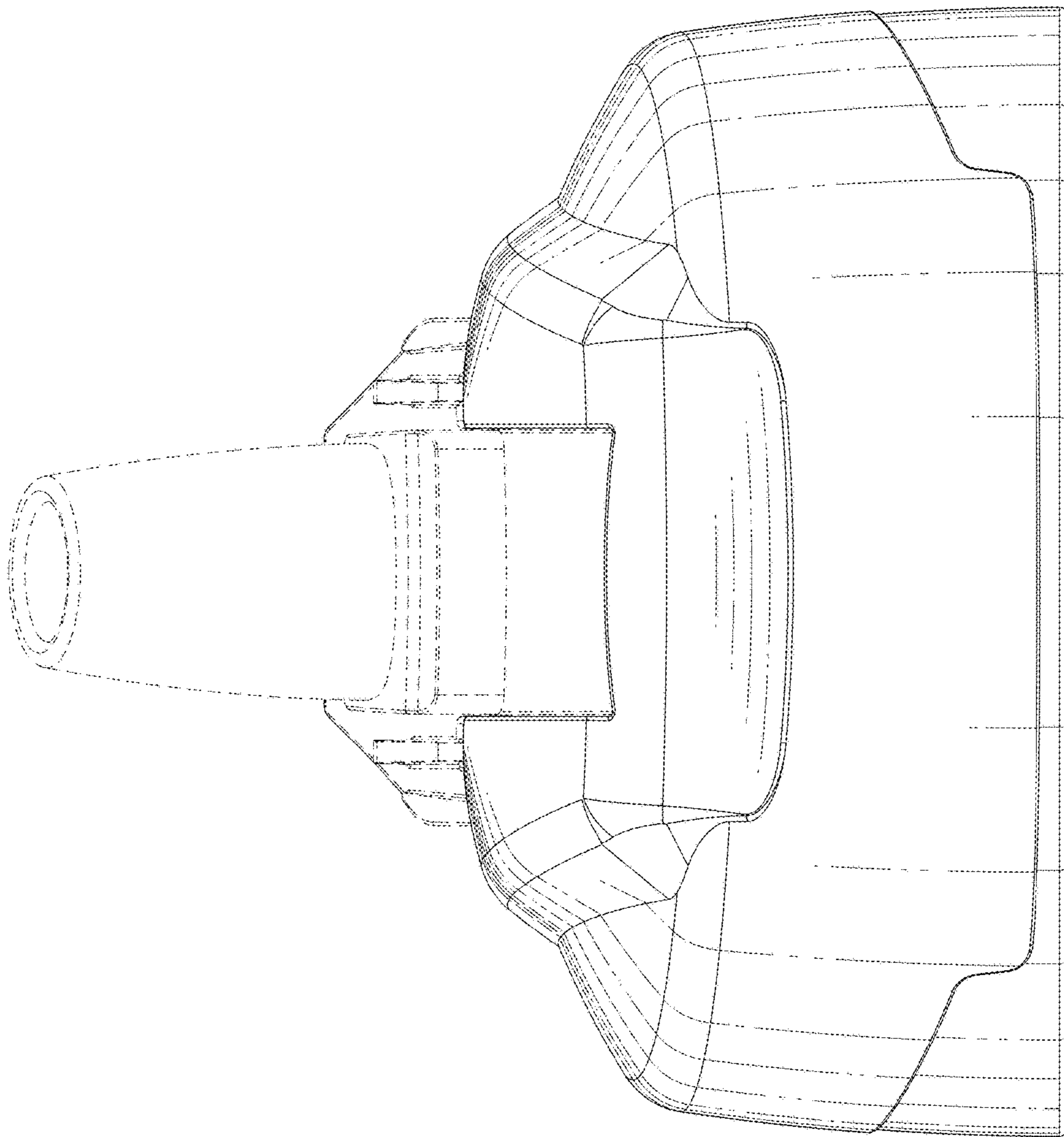


FIG. 12

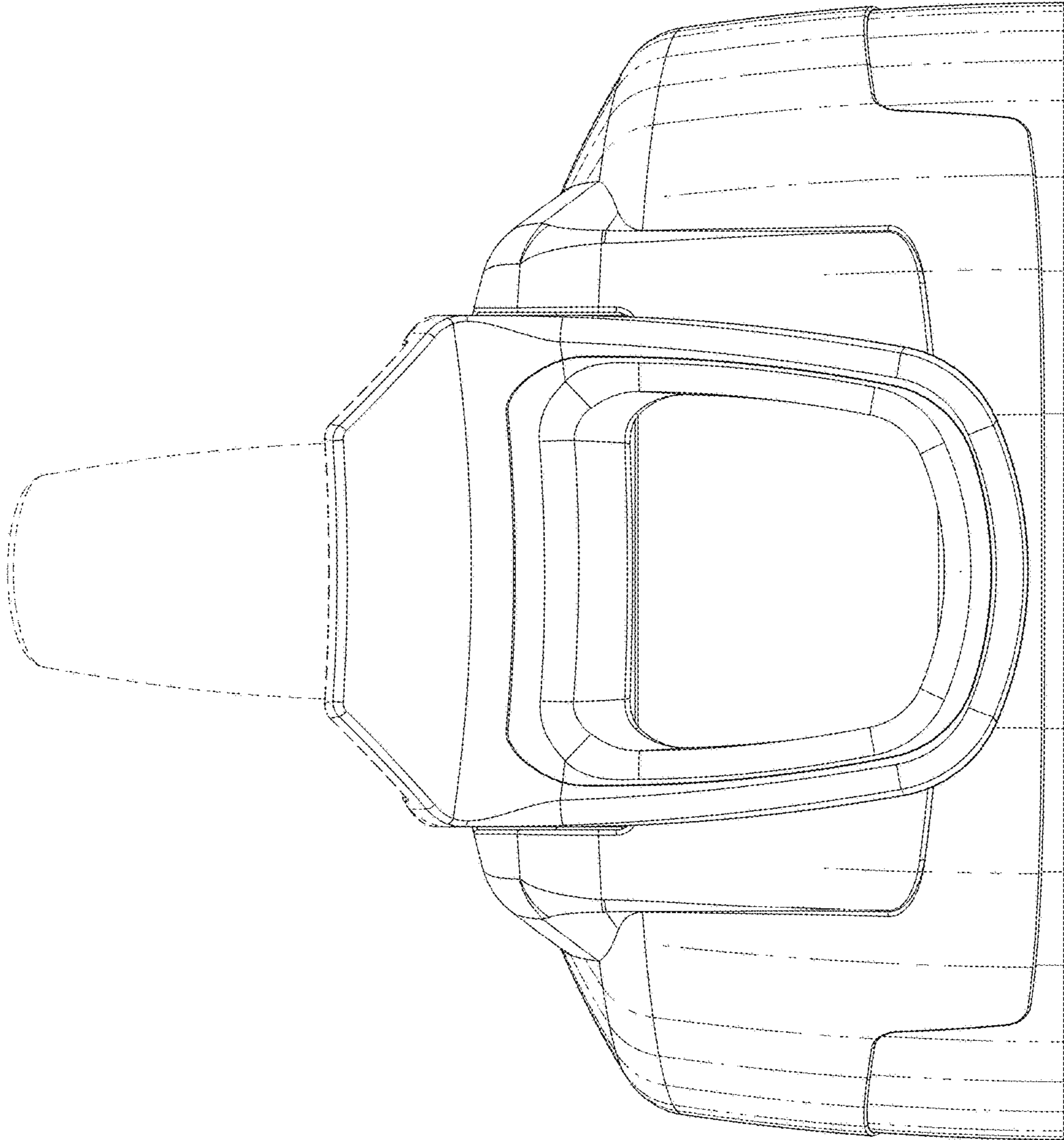


FIG. 13

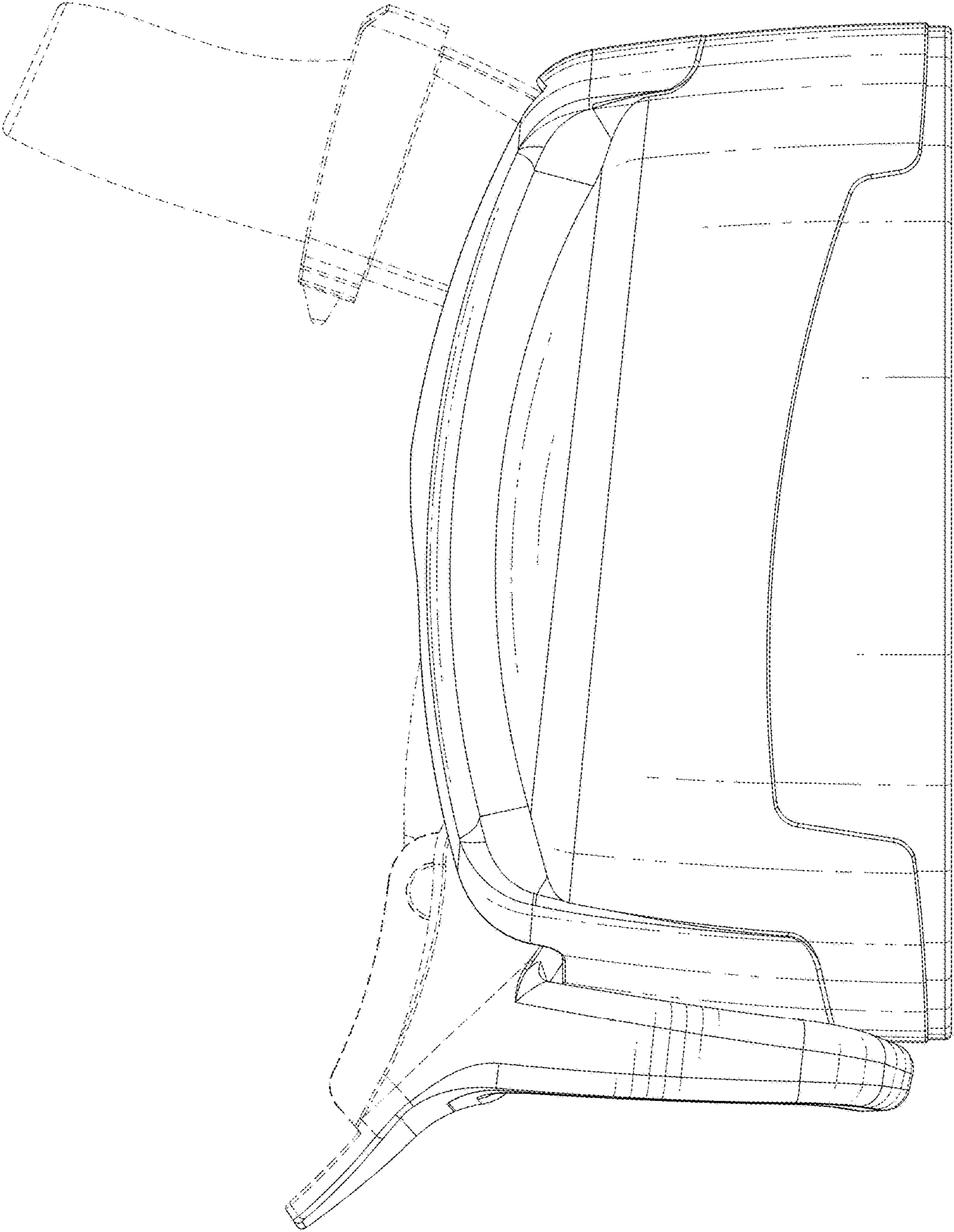


FIG. 14

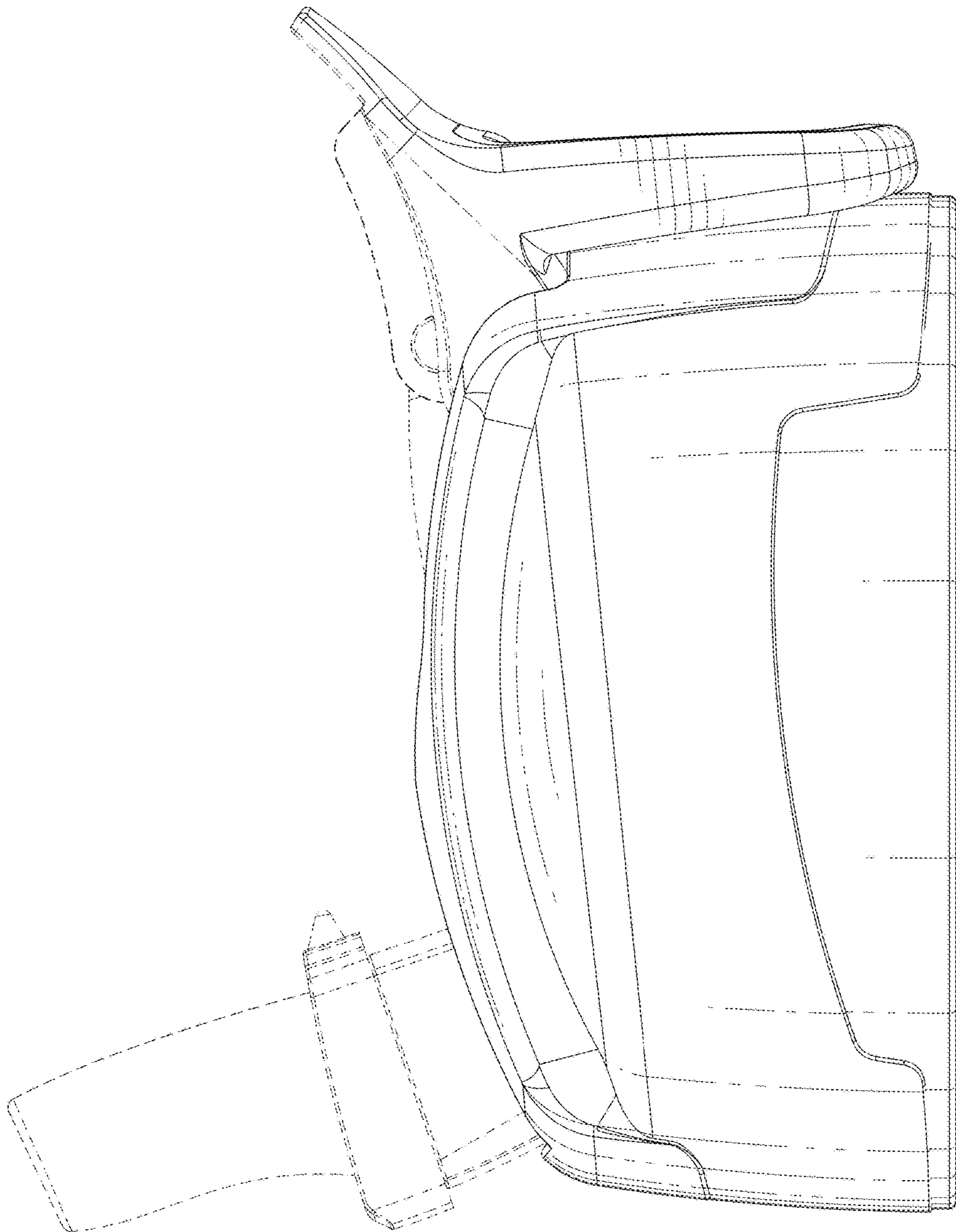


FIG. 15

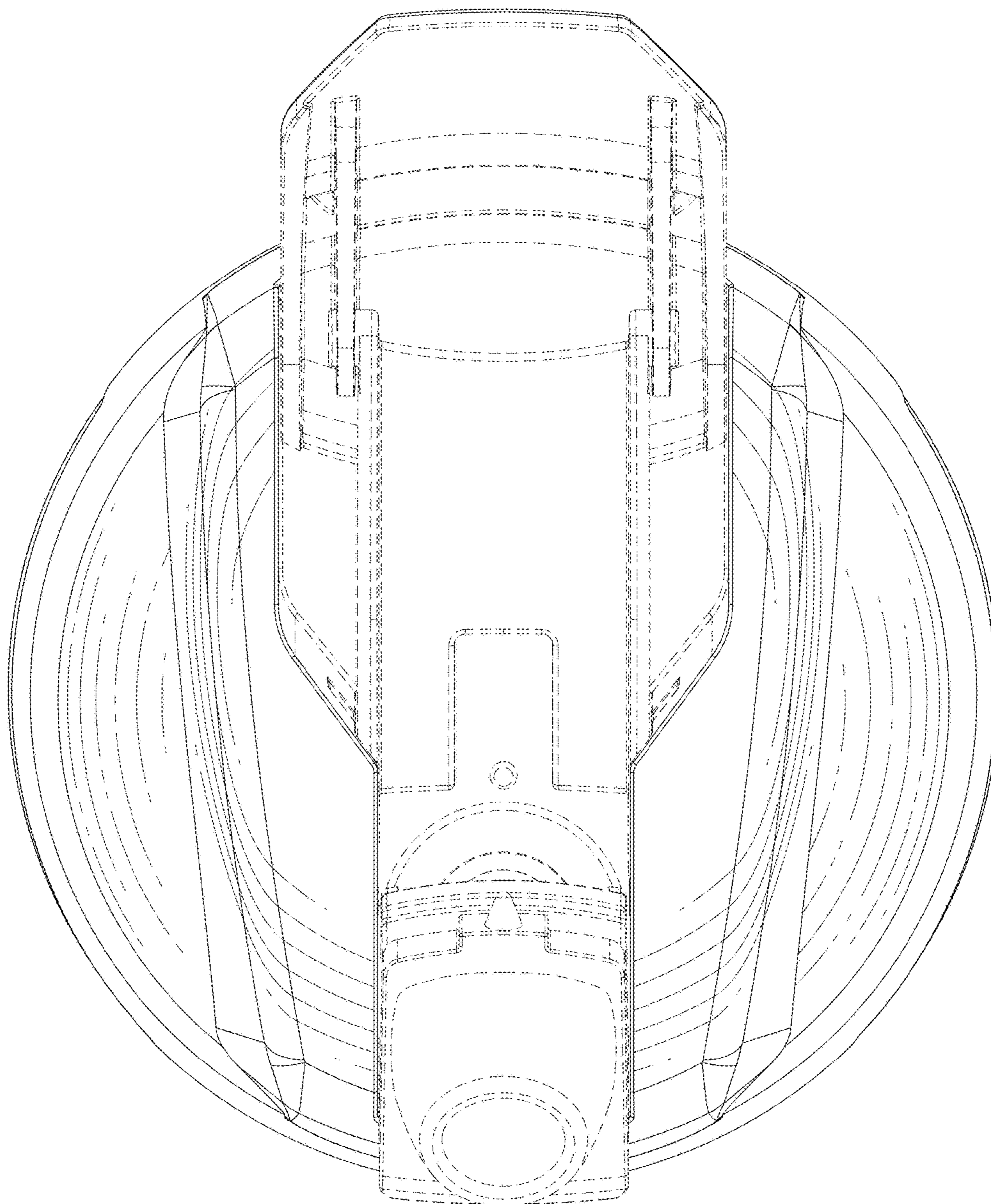


FIG. 16

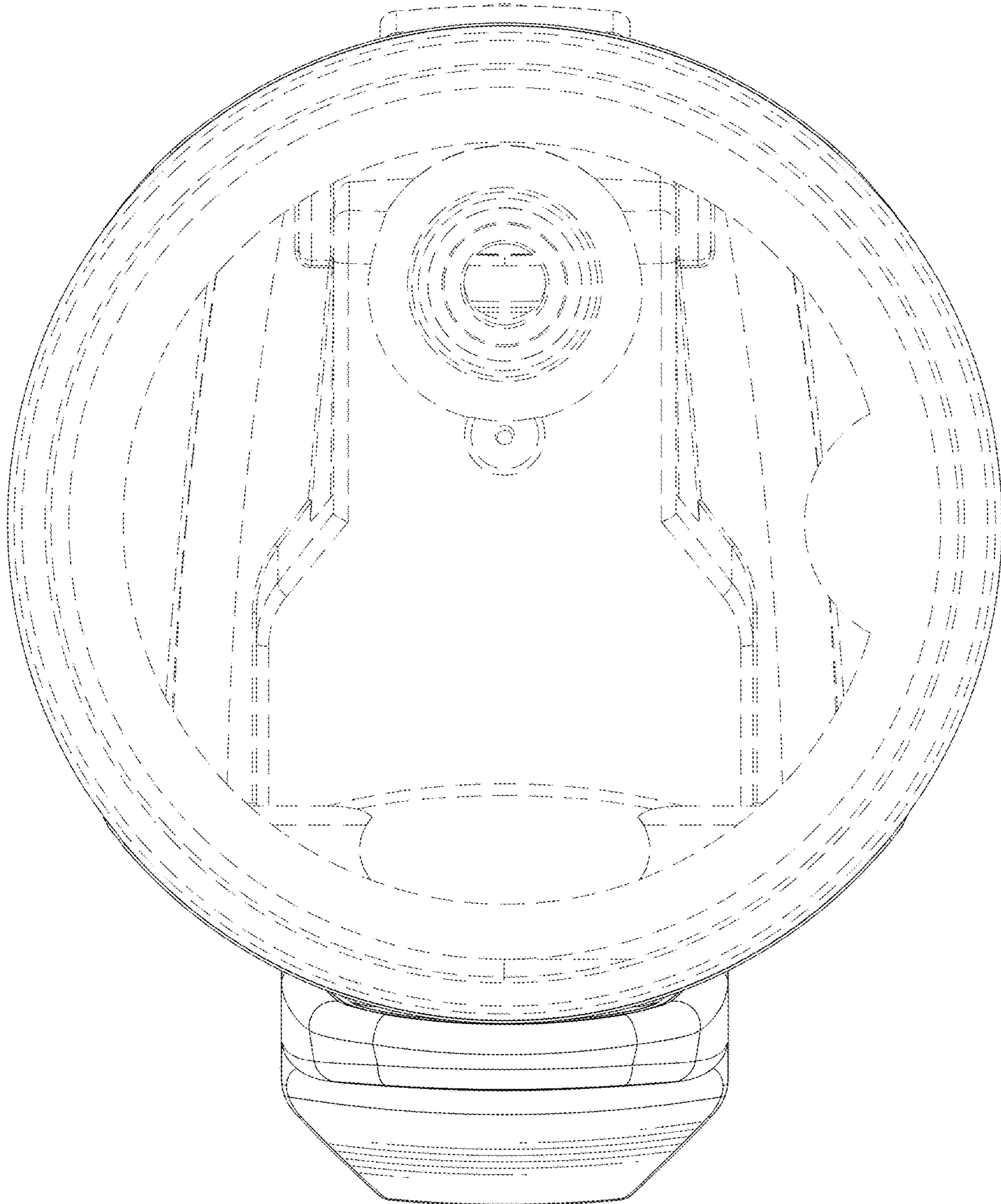


FIG. 17

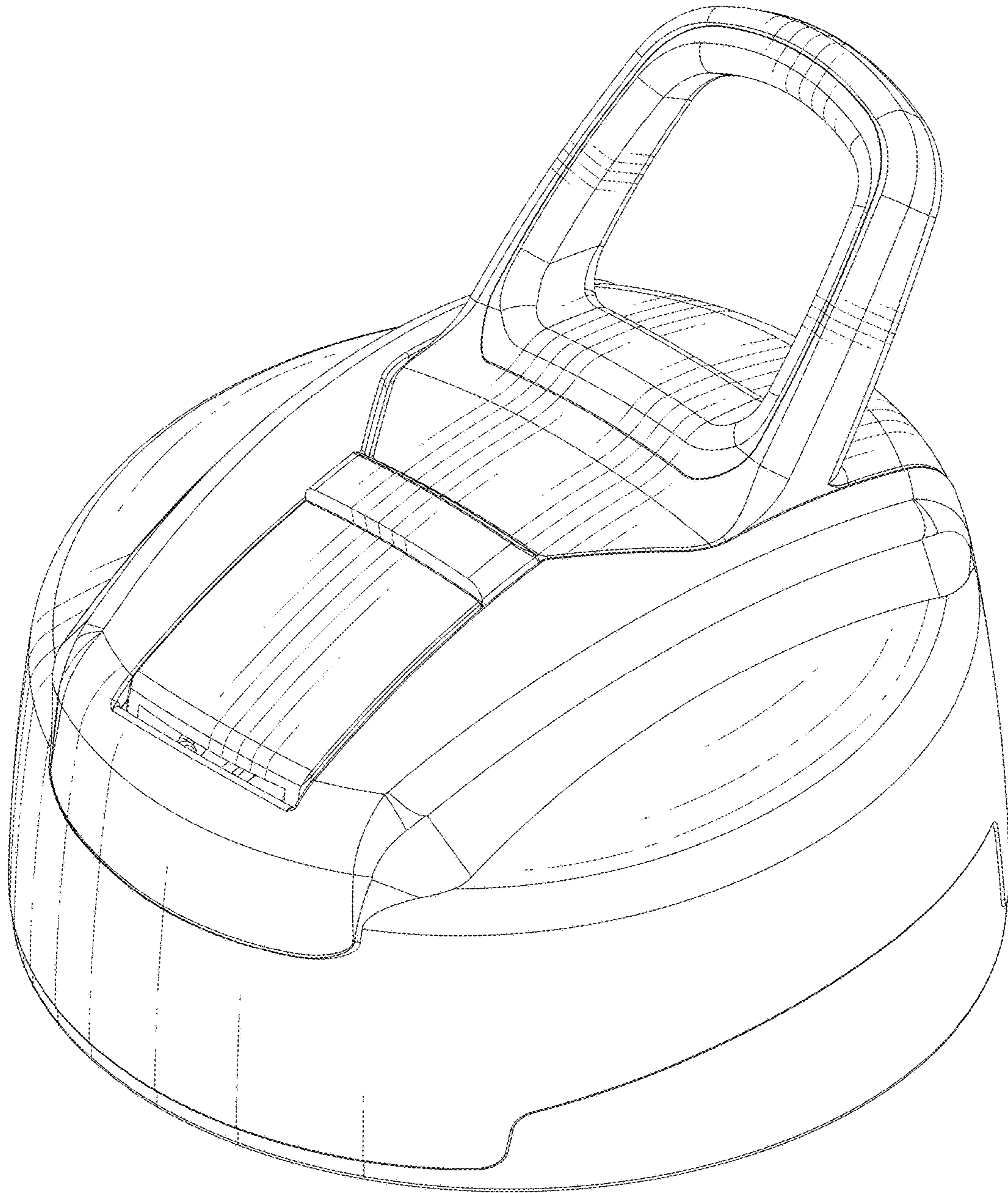


FIG. 18

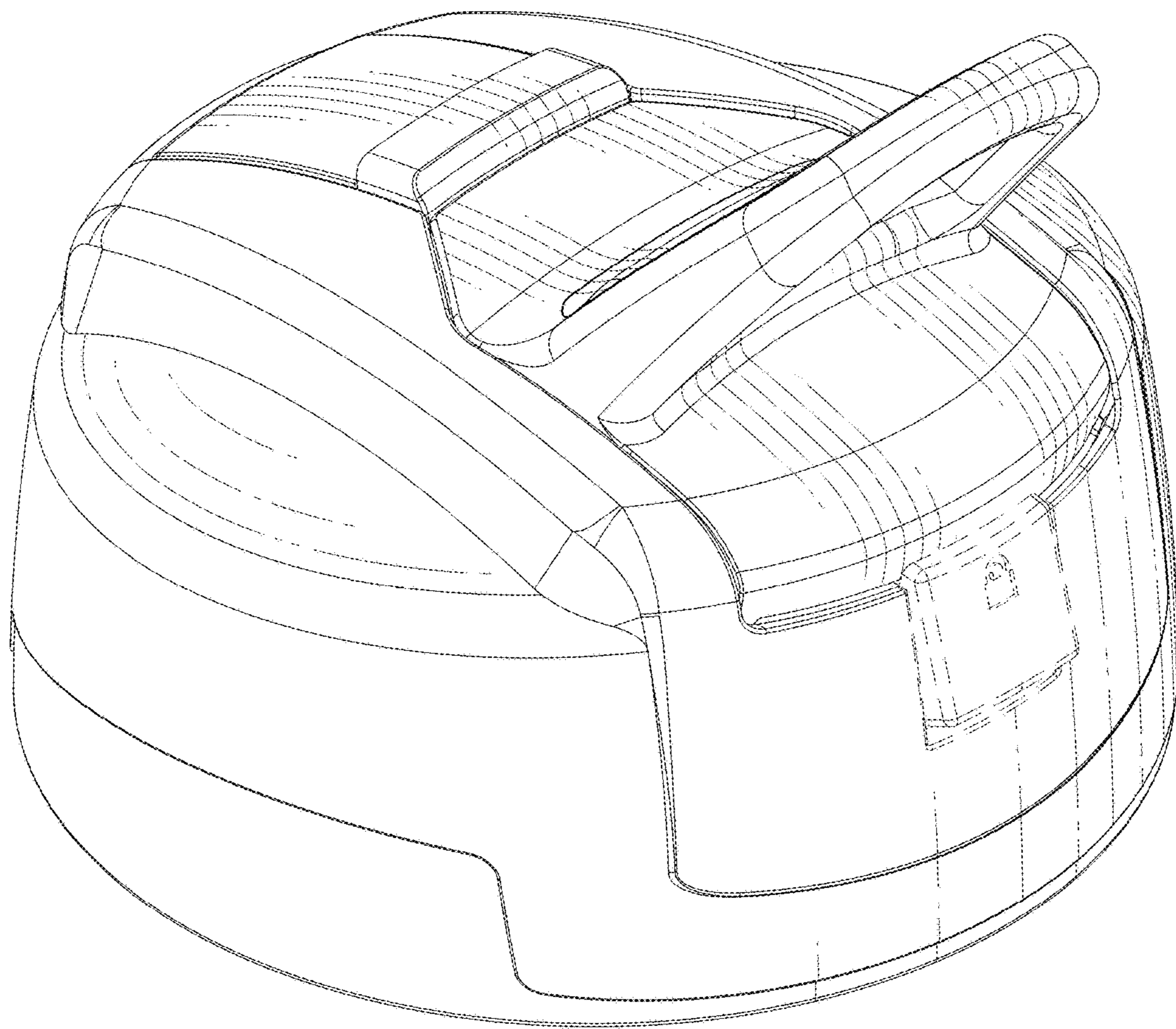


FIG. 19

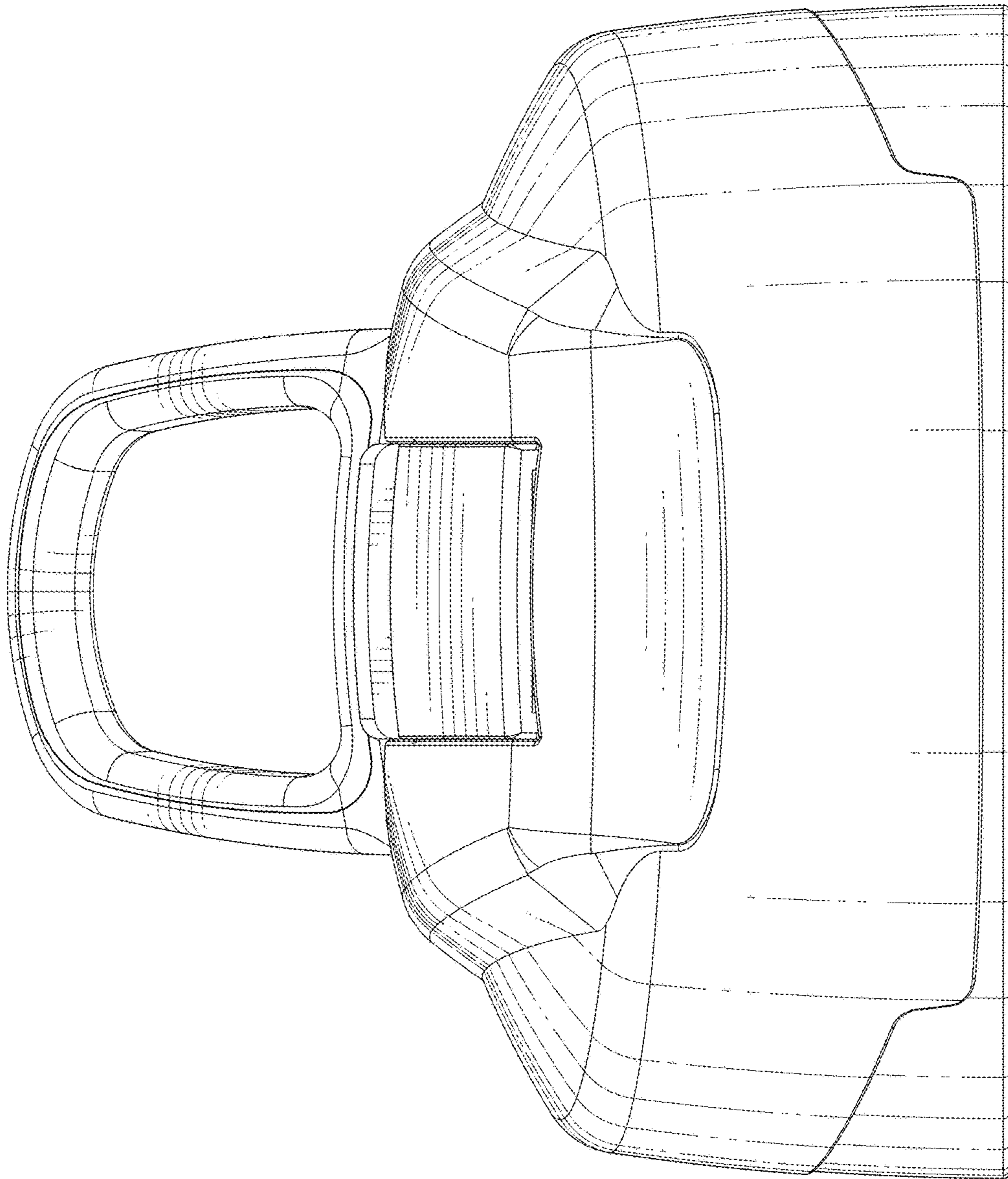


FIG. 20

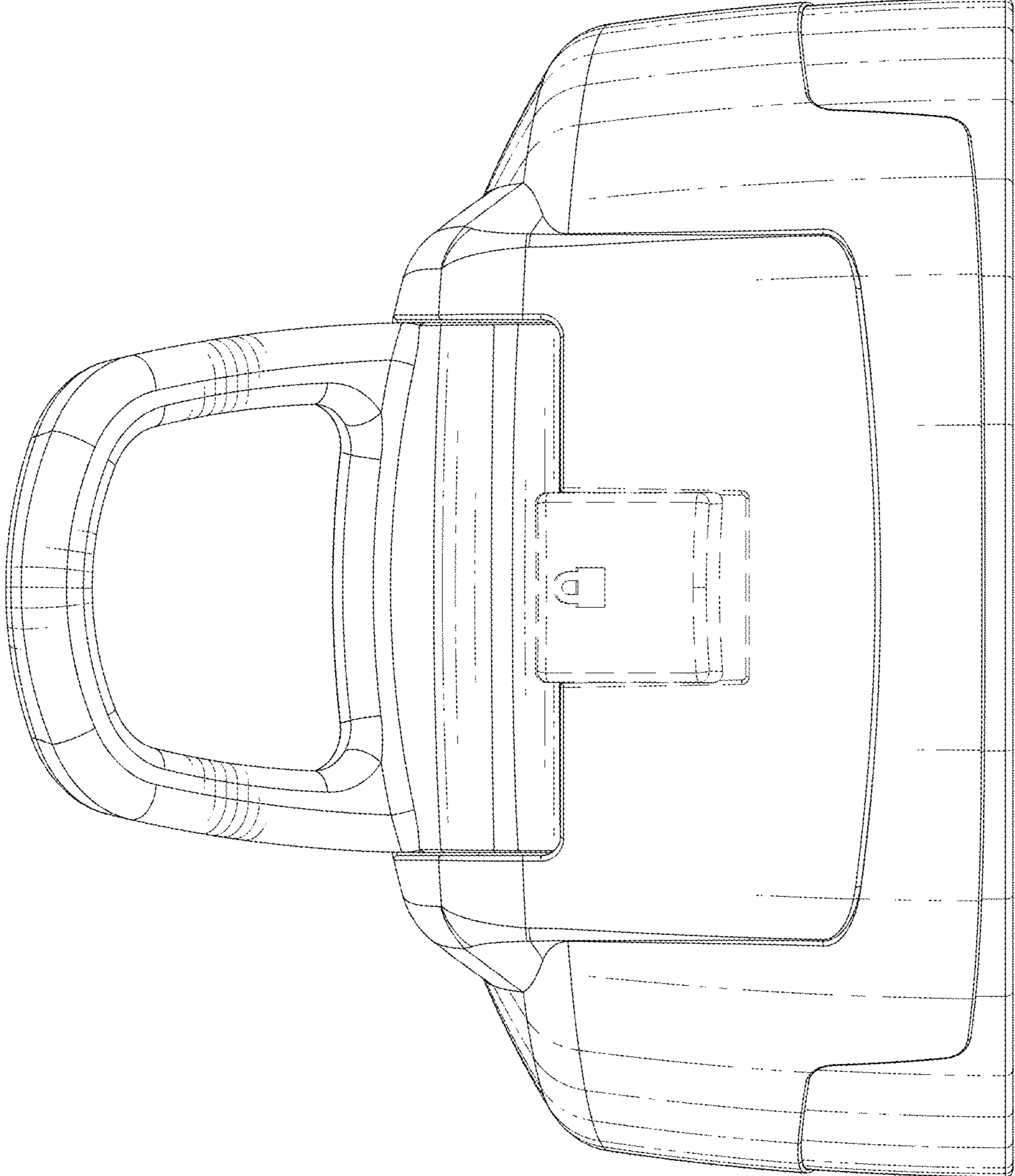


FIG. 21

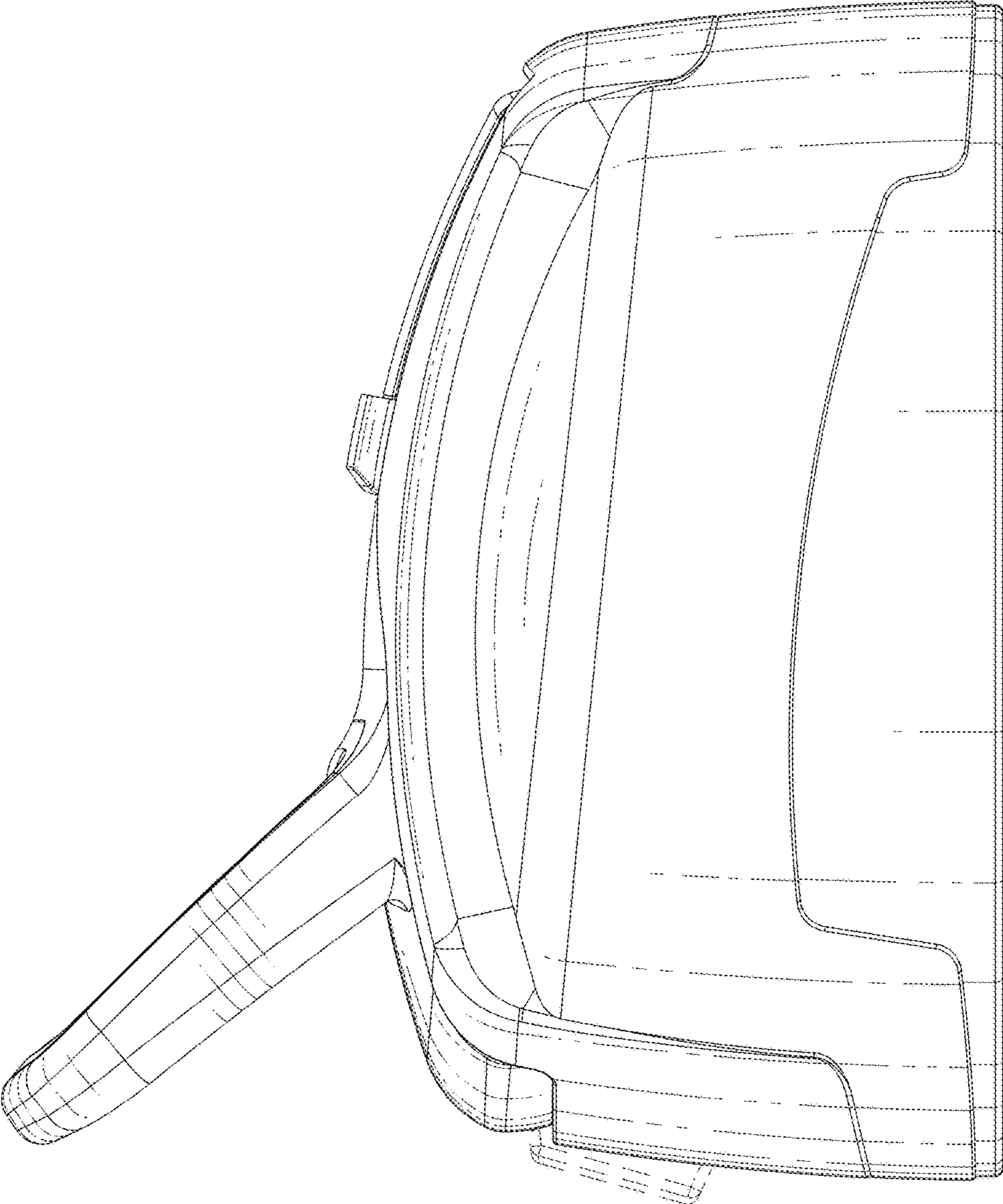


FIG. 22

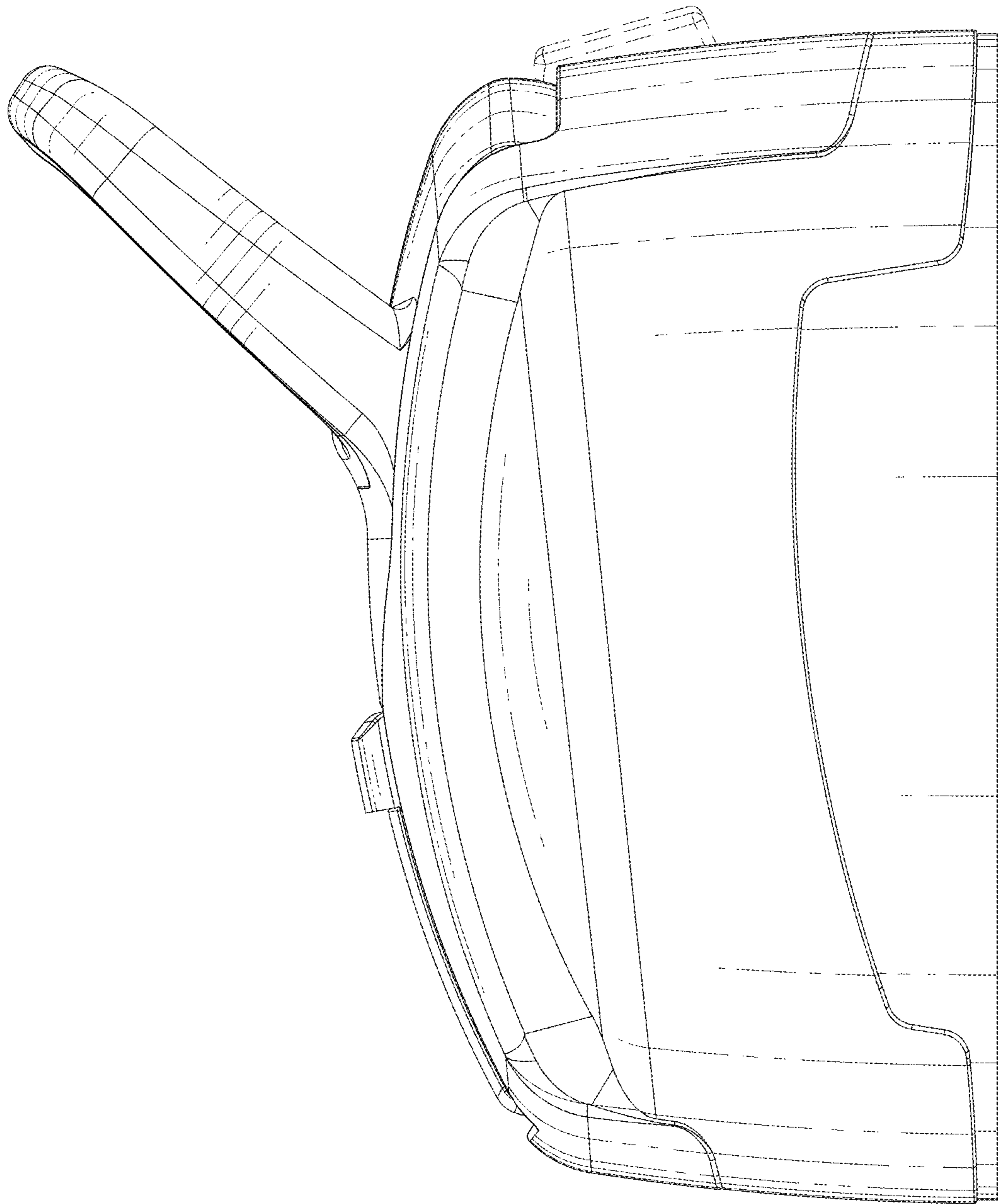


FIG. 23

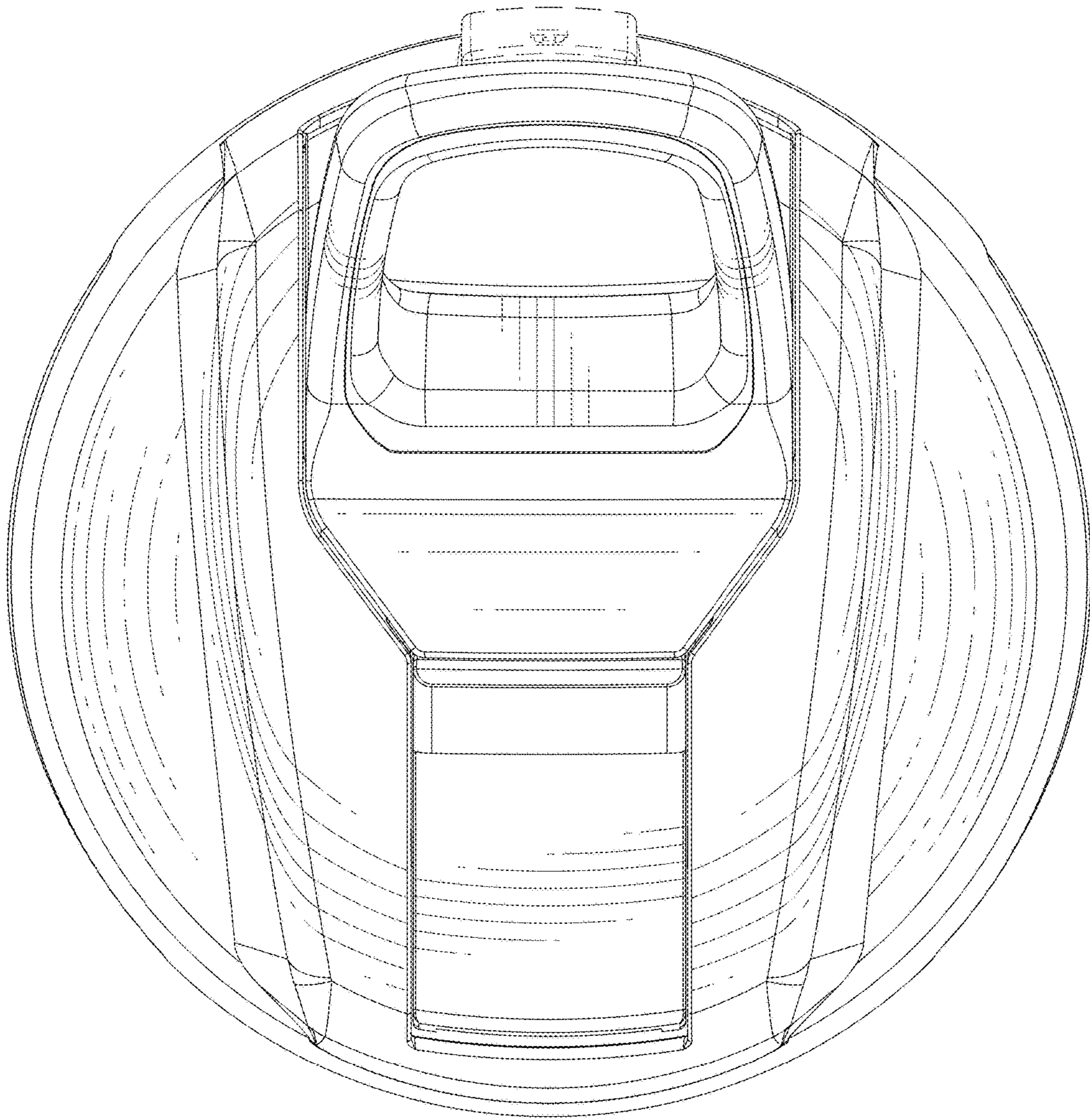


FIG. 24

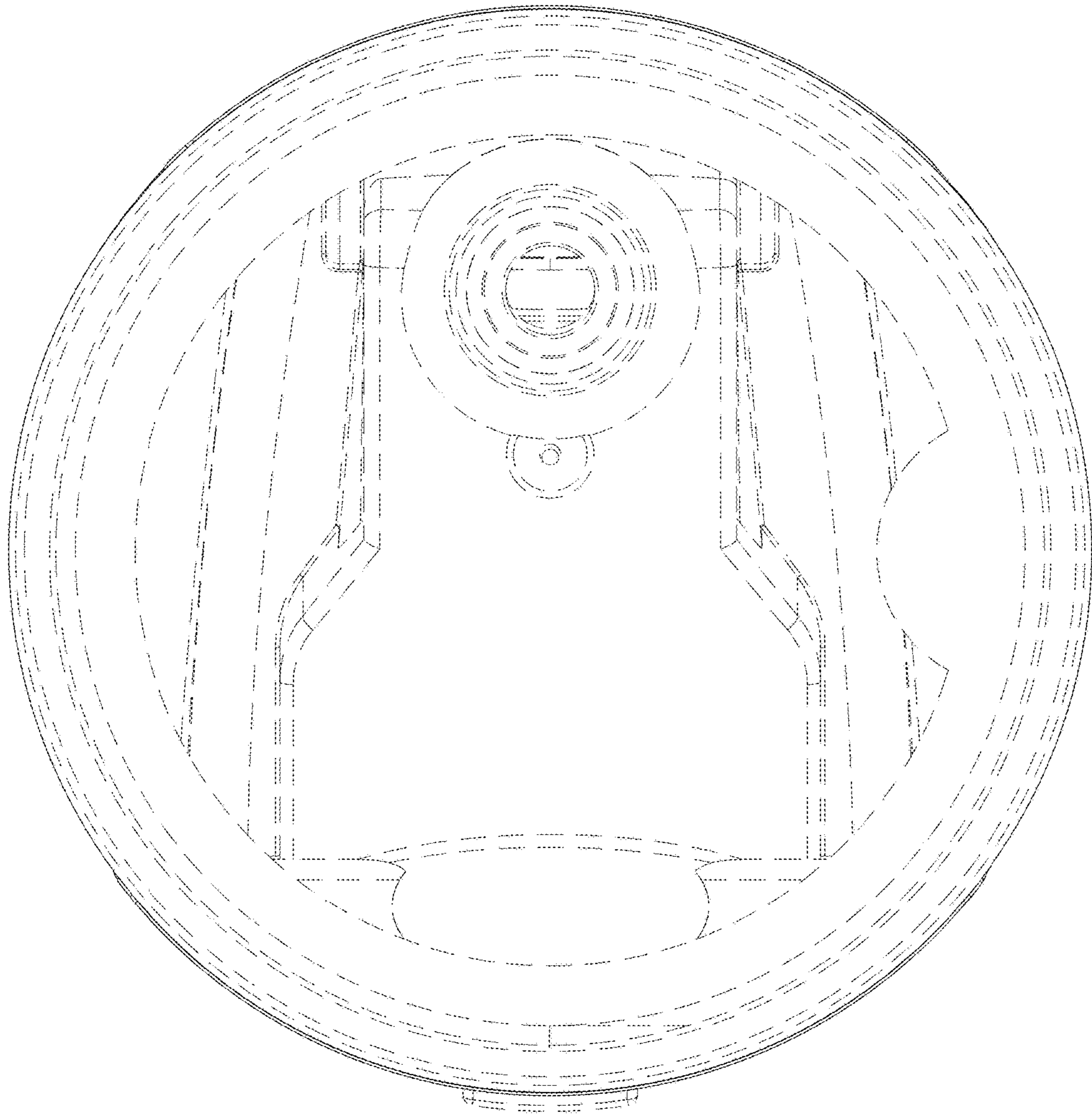


FIG. 25

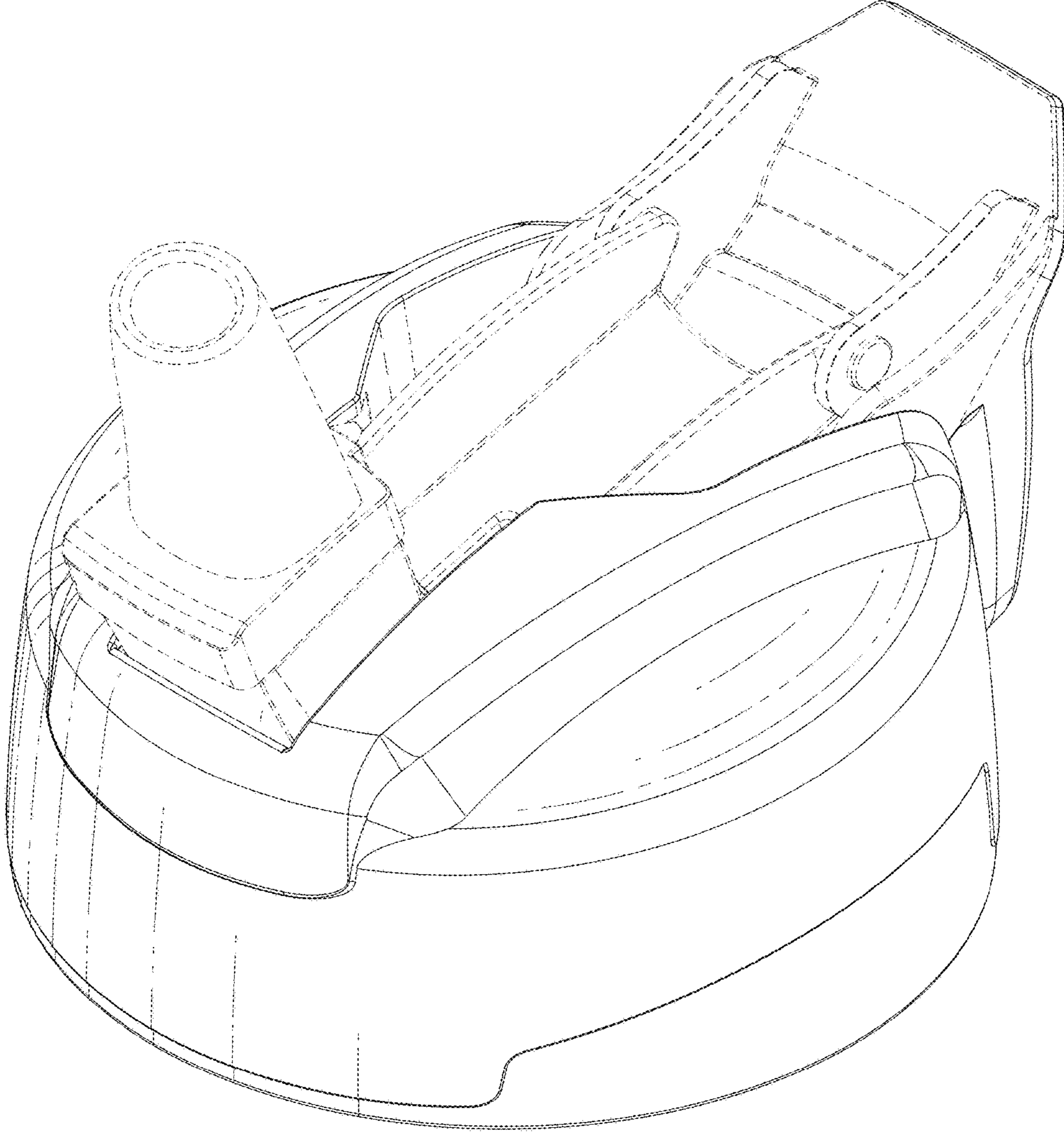


FIG. 26

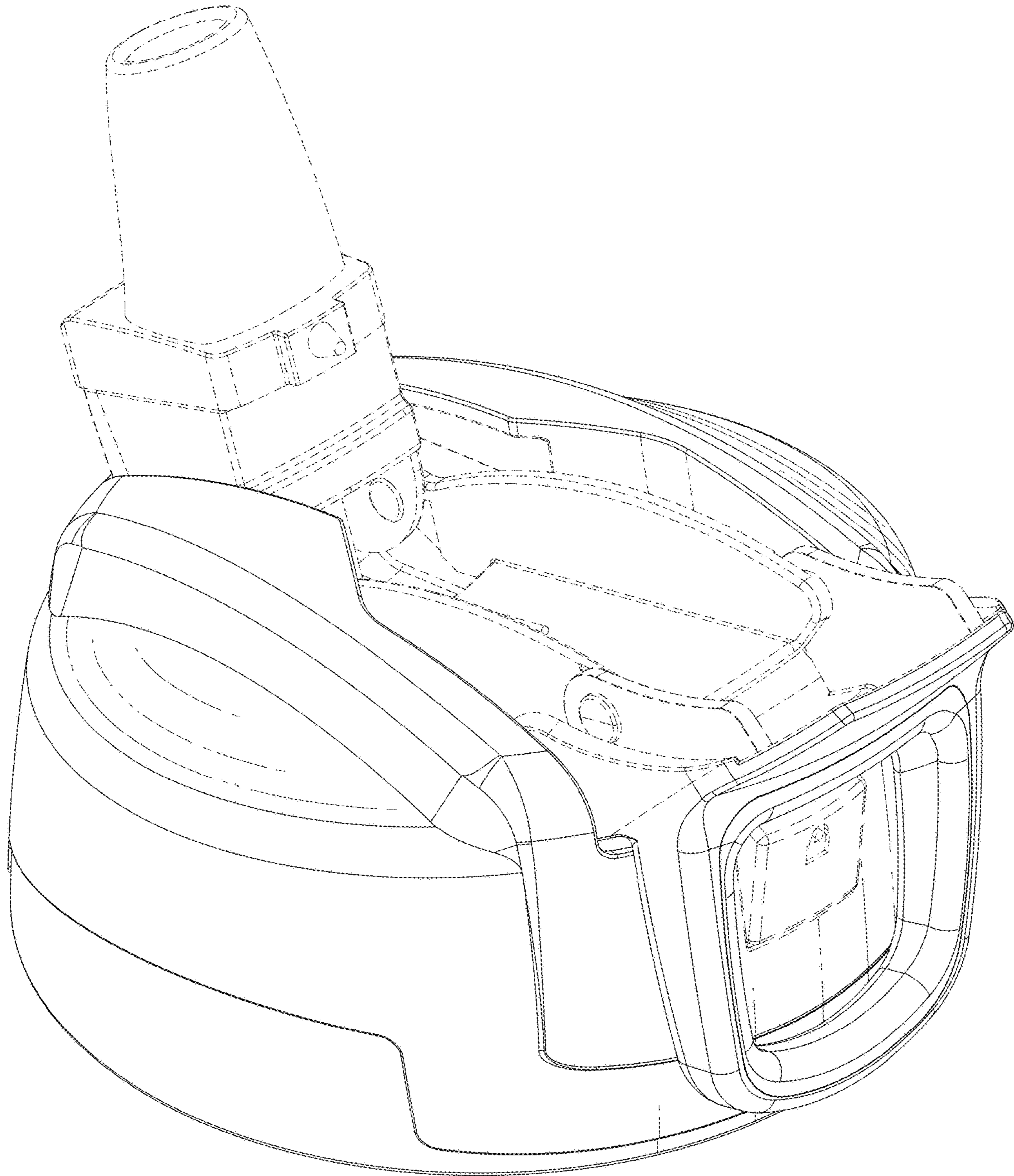


FIG. 27

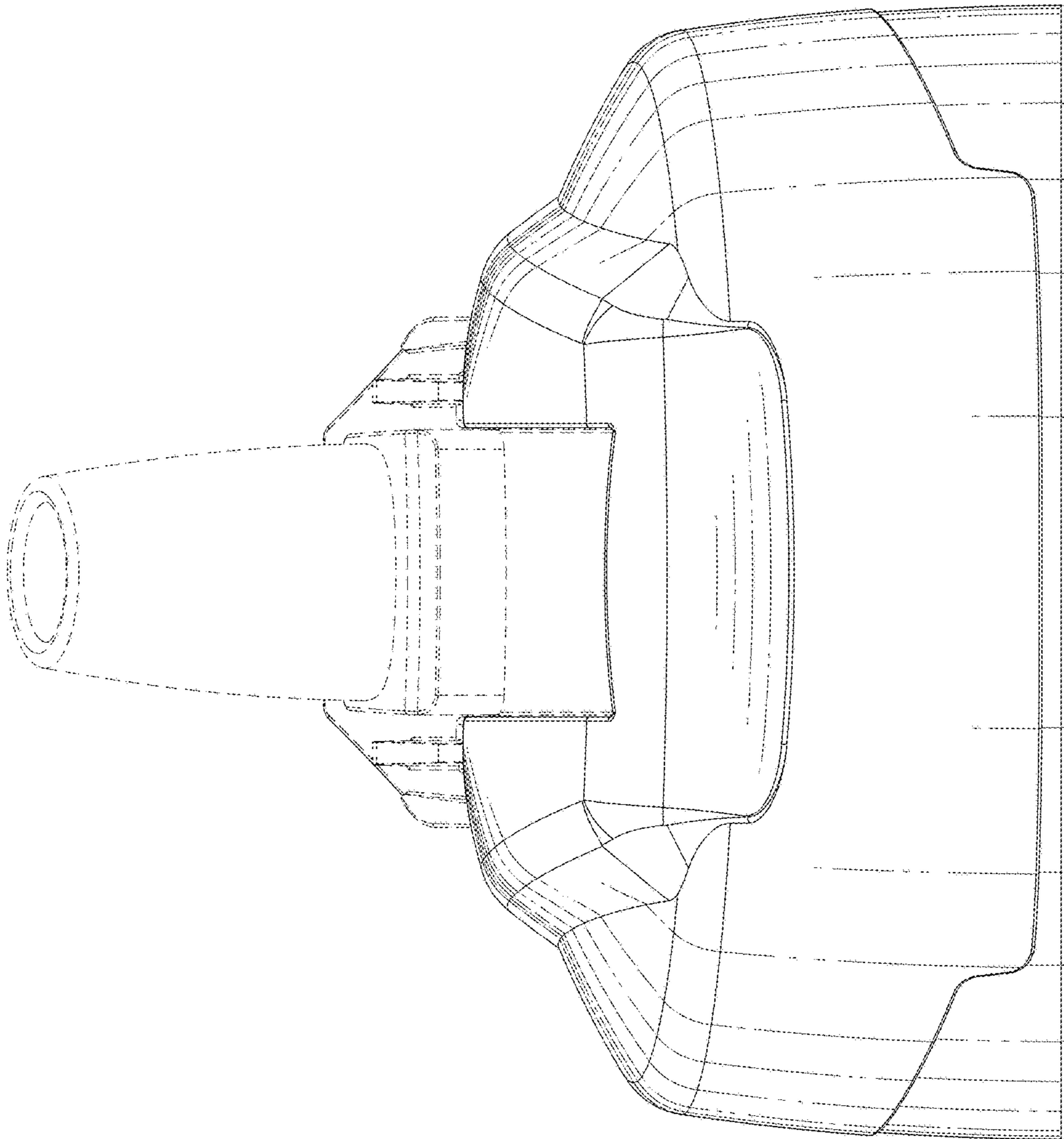


FIG. 28

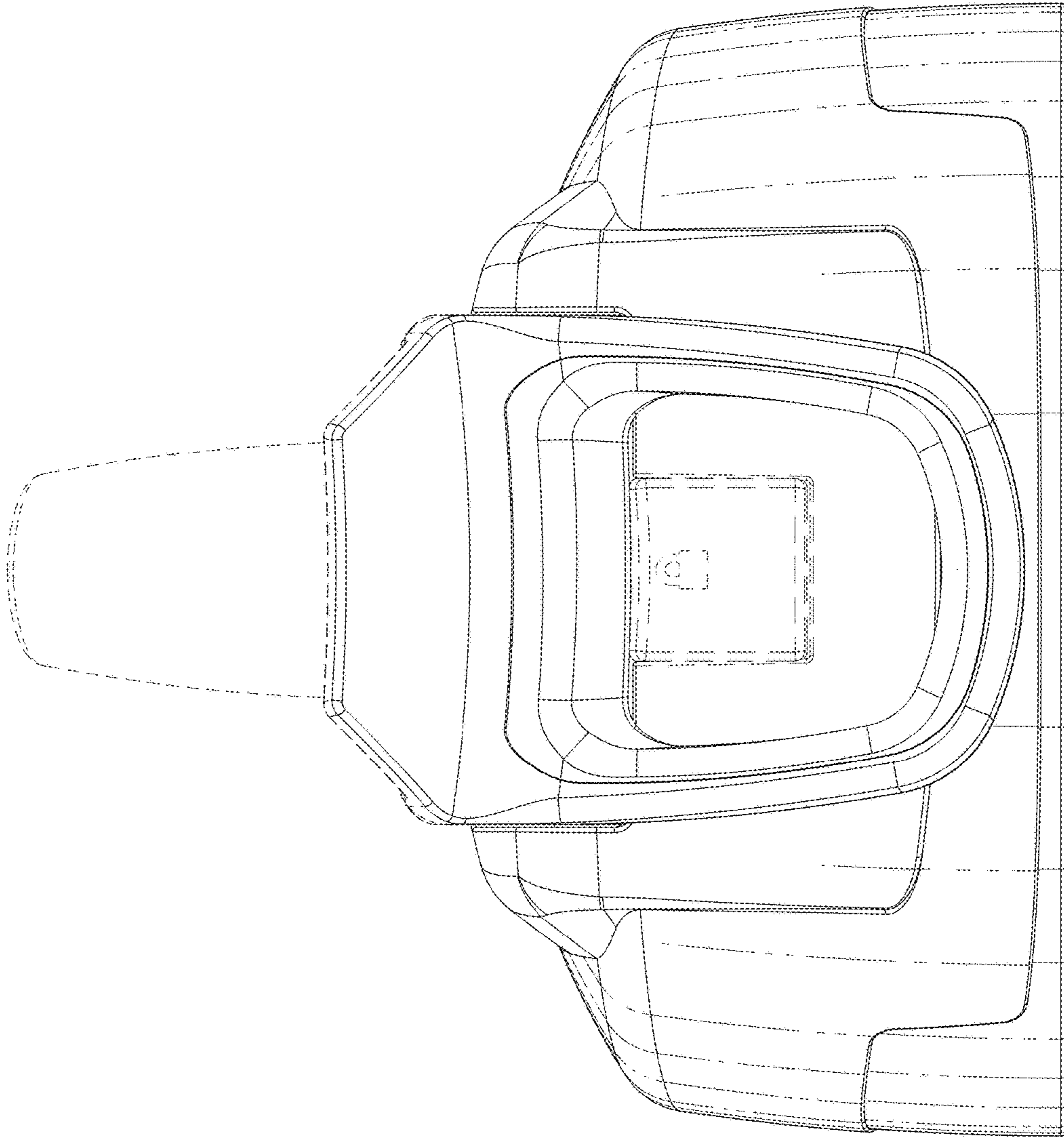


FIG. 29

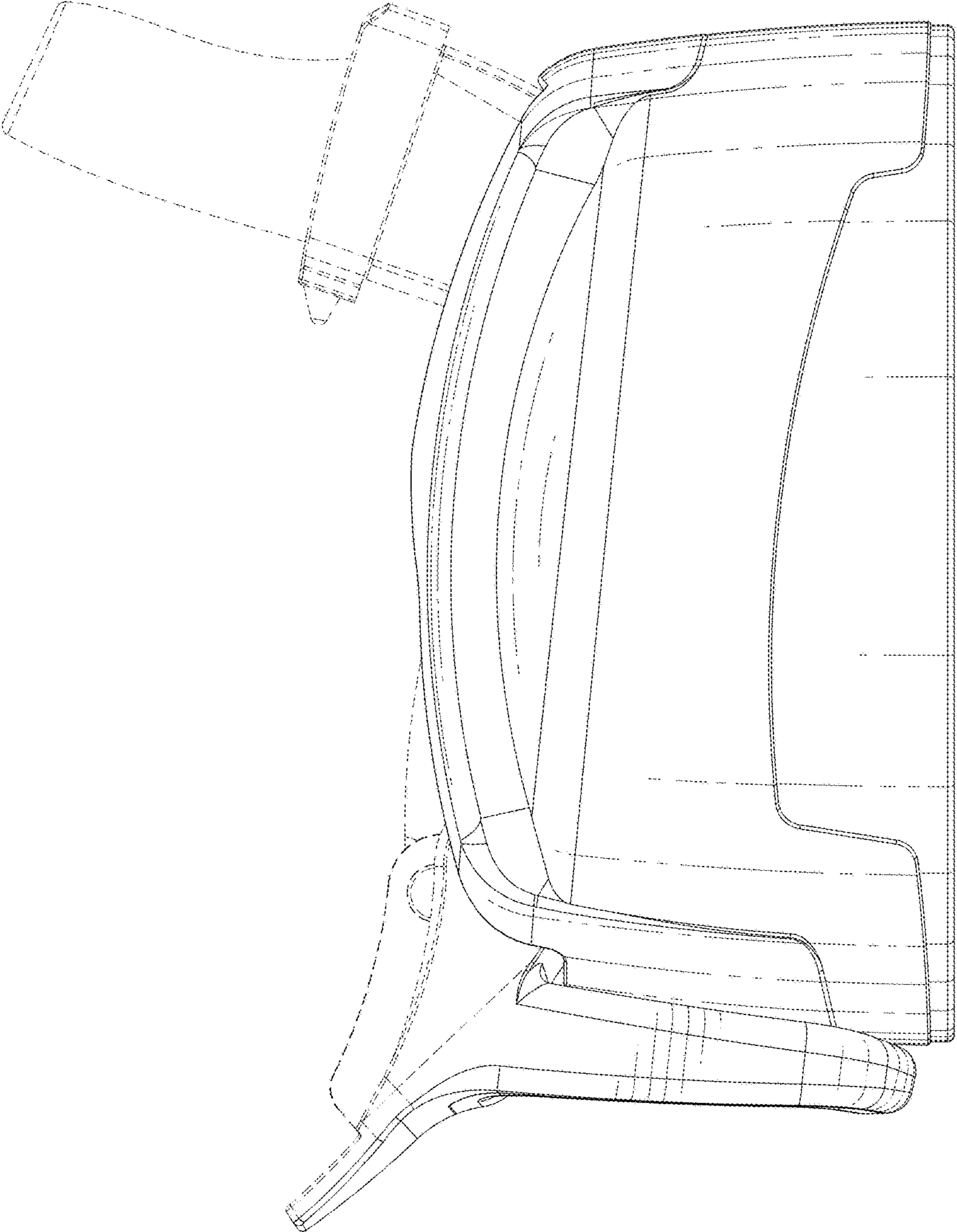


FIG. 30

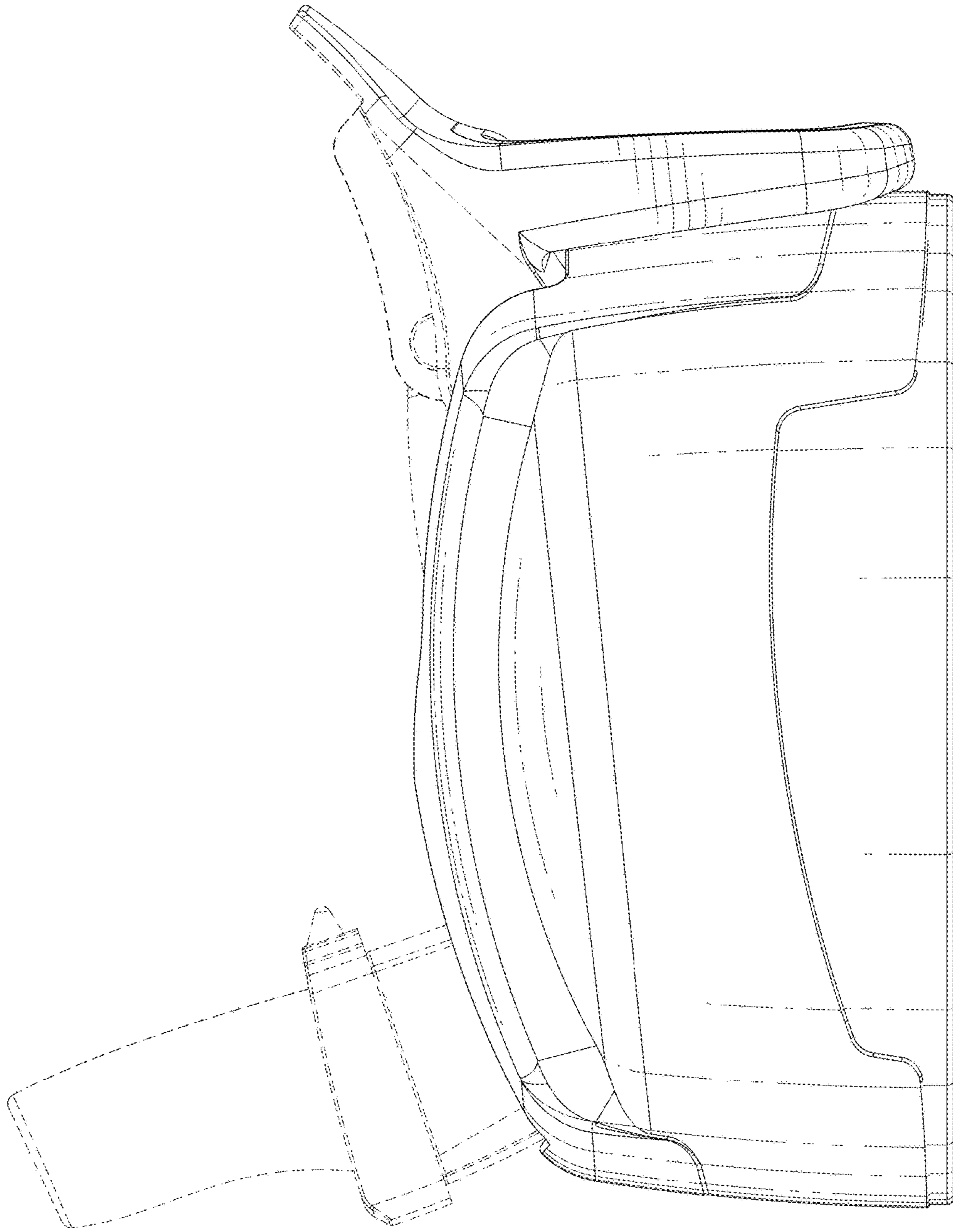


FIG. 31

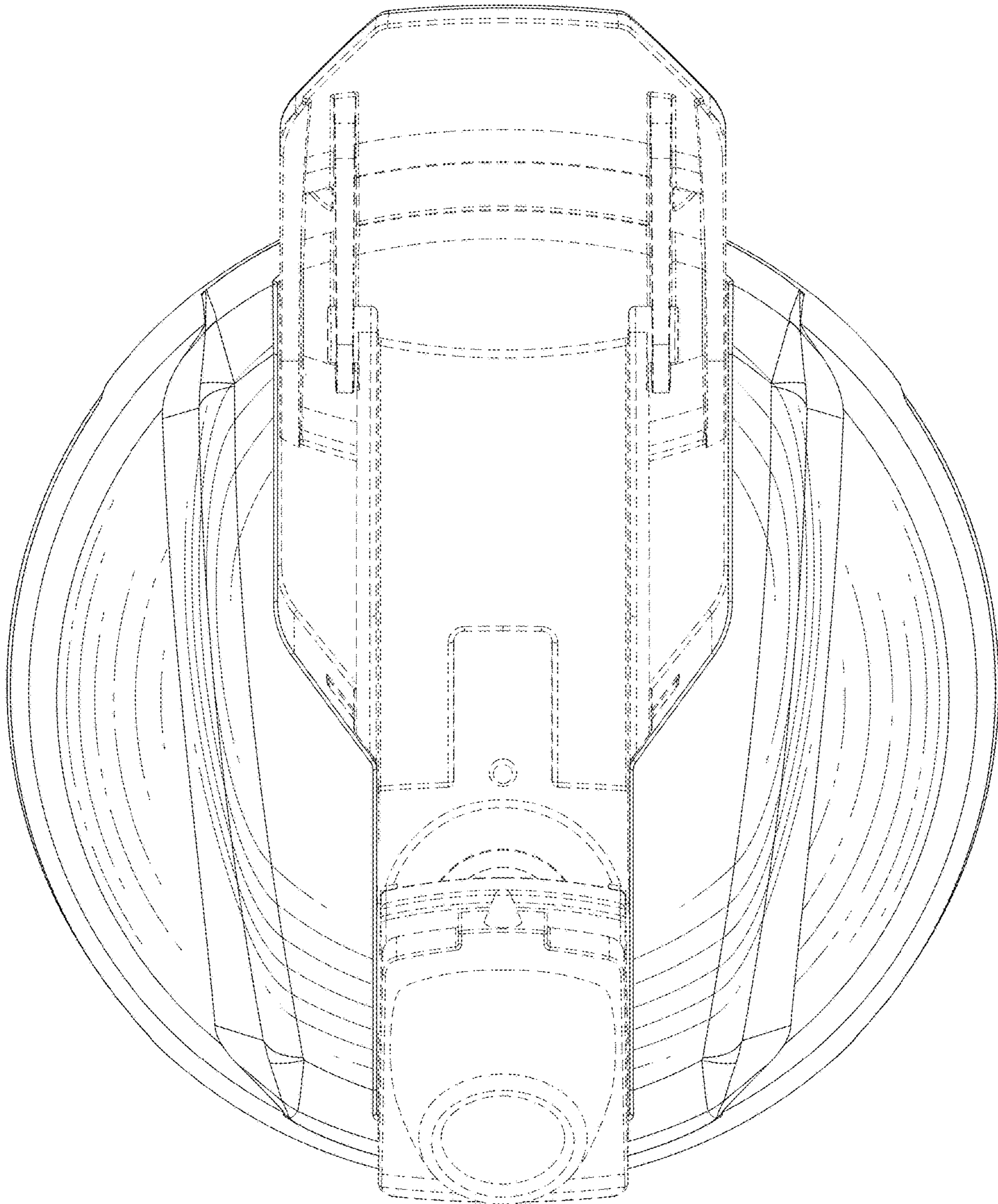


FIG. 32

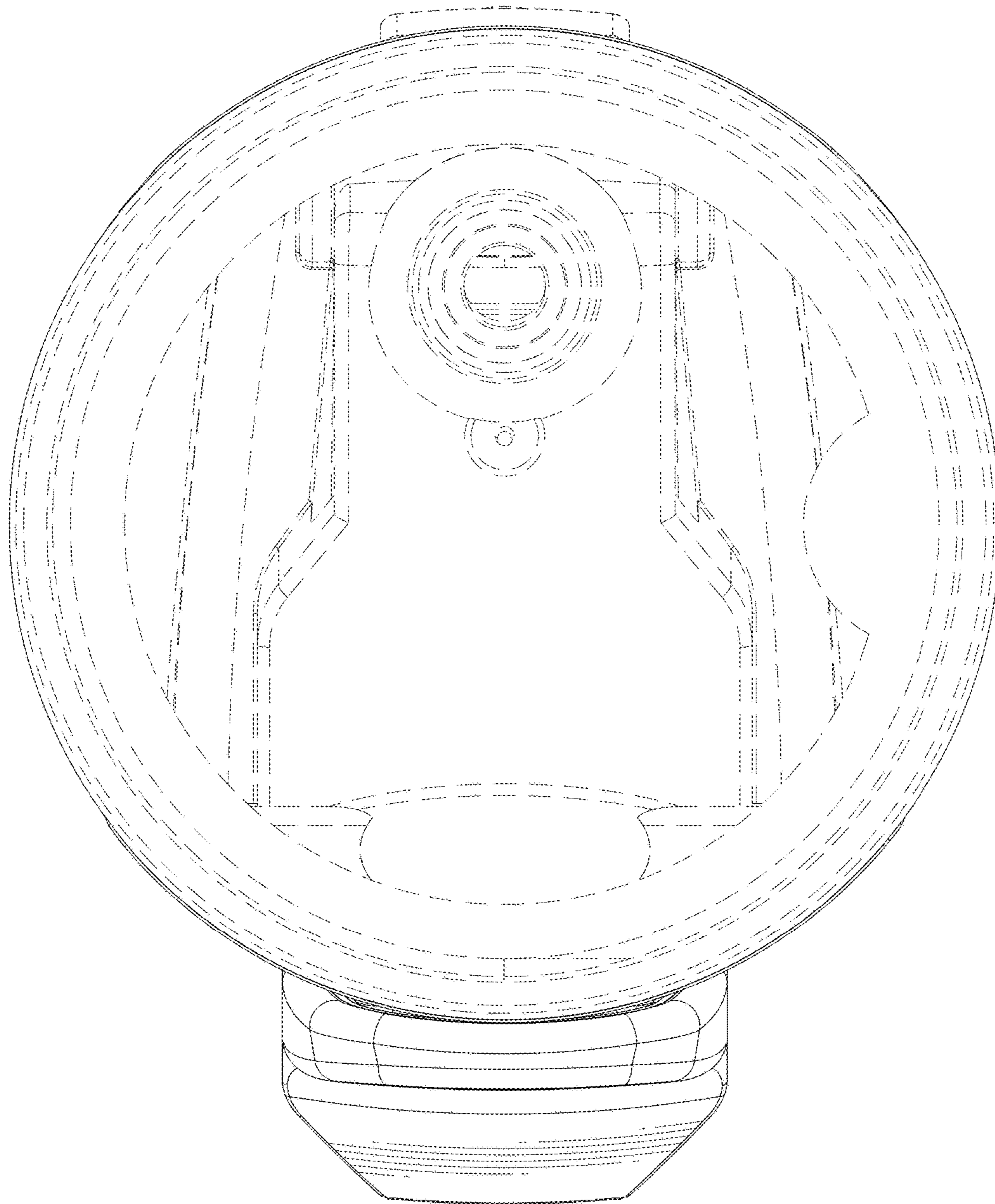


FIG. 33