



US00D793153S

(12) **United States Design Patent** (10) **Patent No.:** **US D793,153 S**  
**Tu** (45) **Date of Patent:** **\*\* Aug. 1, 2017**

(54) **BLENDER**

(71) Applicant: **SharkNinja Operating LLC**, Newton, MA (US)

(72) Inventor: **Joyce Tu**, Newton, MA (US)

(73) Assignee: **SHARKNINJA OPERATING, LLC**, Newton, MA (US)

(\*\*) Term: **14 Years**

(21) Appl. No.: **29/519,682**

(22) Filed: **Mar. 6, 2015**

(51) **LOC (10) Cl.** ..... **31-00**

(52) **U.S. Cl.**  
USPC ..... **D7/386**; D7/376; D7/378

(58) **Field of Classification Search**  
USPC ..... D7/372, 376-386, 412-413, 602, 629, D7/665-666, 669, 679, 693-694  
CPC .... A21C 1/02; A21C 1/04; A23N 1/00; A23N 1/02; A47J 43/04; A47J 43/25; A47J 43/27; A47J 43/042; A47J 43/044; A47J 43/046; A47J 43/075; A47J 43/0722; A47J 43/0727; A47J 43/0716; B01F 3/00; B01F 3/0807; B01F 3/0853; B01F 13/0059; B01F 13/0064; B02C 1/08; B02C 2/04; B02C 4/42; B02C 4/142; B02C 4/143; B02C 4/423; B02C 13/1835; B28C 5/10; B28C 5/12; B28C 5/14; B28C 5/16

See application file for complete search history.

(56) **References Cited**

**U.S. PATENT DOCUMENTS**

D242,208 S	11/1976	Madl et al.	
D404,606 S *	1/1999	Huang	D7/378
D404,607 S *	1/1999	Huang	D7/378
D450,978 S *	11/2001	Smith	D7/378
D526,531 S	8/2006	Drees et al.	
D533,395 S	12/2006	Drees et al.	
D552,412 S	10/2007	Steiner	

D552,419 S	10/2007	Picozza et al.	
D567,578 S *	4/2008	Chiappetta	D7/376
D577,537 S *	9/2008	Lee	D7/378

(Continued)

**FOREIGN PATENT DOCUMENTS**

EM 0013887970002 8/2013

**OTHER PUBLICATIONS**

Design No. 28449; Soviet Design Gazette; vol. 3; Published: Sep. 15, 1990; pp. 180-181.

(Continued)

*Primary Examiner* — Ricky Pham

(74) *Attorney, Agent, or Firm* — Cantor Colburn LLP

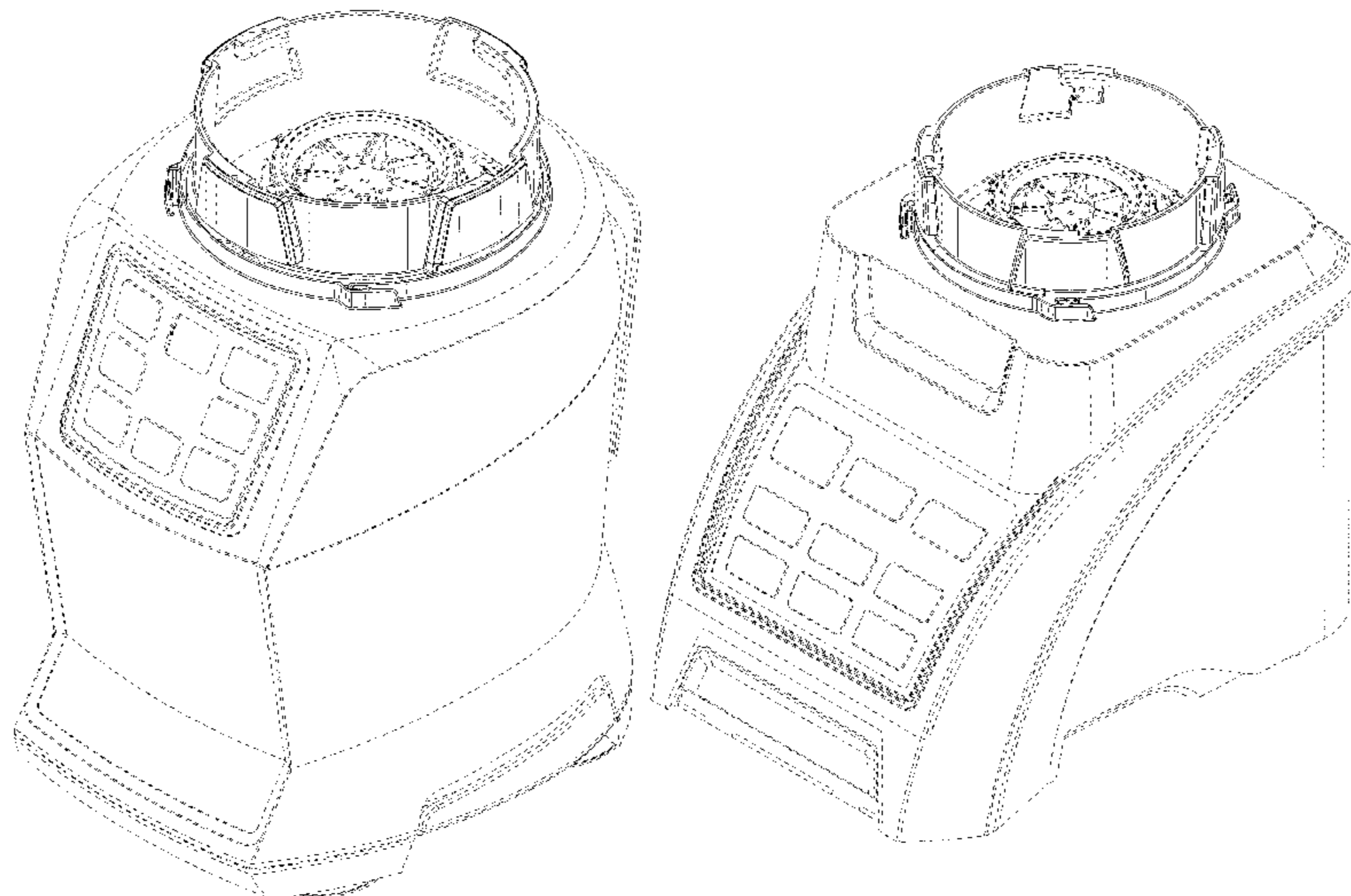
(57) **CLAIM**

The ornamental design for a blender, as shown and described.

**DESCRIPTION**

FIG. 1 is a perspective view of an embodiment of a blender showing our new design;  
FIG. 2 is a front elevational view thereof;  
FIG. 3 is a rear elevational view thereof;  
FIG. 4 is a left side elevational view thereof;  
FIG. 5 is a right side elevational view thereof;  
FIG. 6 is a top plan view thereof;  
FIG. 7 is a bottom plan view thereof;  
FIG. 8 is a perspective view of still another embodiment of the blender;  
FIG. 9 is a front elevational view thereof;  
FIG. 10 is a rear elevational view thereof;  
FIG. 11 is a left side elevational view thereof;  
FIG. 12 is a right side elevational view thereof;  
FIG. 13 is a top plan view thereof; and,  
FIG. 14 is a bottom plan view thereof.  
The broken lines in the drawings are for illustrative purposes only and form no part of the claimed design.

**1 Claim, 14 Drawing Sheets**



(56)

References Cited

U.S. PATENT DOCUMENTS

D587,961 S 3/2009 Lavy  
 7,581,688 B2\* 9/2009 Mally ..... A47J 43/042  
 241/30  
 D605,462 S \* 12/2009 Picozza ..... D7/378  
 D611,760 S \* 3/2010 Ball ..... D7/378  
 D617,136 S 6/2010 Bock et al.  
 D617,145 S 6/2010 Picozza et al.  
 D625,141 S \* 10/2010 Moore ..... D7/376  
 D637,870 S 5/2011 Bock  
 D642,857 S \* 8/2011 Bodum ..... D7/376  
 D644,480 S 9/2011 Czach et al.  
 D645,301 S \* 9/2011 Tse ..... D7/376  
 D647,357 S \* 10/2011 Audette ..... D7/376  
 D647,367 S \* 10/2011 Audette ..... D7/376  
 D647,368 S 10/2011 Audette et al.  
 D654,305 S 2/2012 Gursel et al.  
 D655,981 S 3/2012 Gursel et al.  
 D658,430 S \* 5/2012 Hoare ..... D7/376  
 D660,642 S \* 5/2012 Boozer ..... D7/376  
 D667,259 S \* 9/2012 Lee ..... D7/376  
 D667,260 S \* 9/2012 Lee ..... D7/376  
 D667,261 S \* 9/2012 Lee ..... D7/376  
 D668,100 S \* 10/2012 Palermo ..... D7/376  
 D674,235 S 1/2013 Lee et al.  
 D677,976 S \* 3/2013 Palermo ..... D7/376  
 D690,152 S \* 9/2013 Palermo ..... D7/376  
 D694,573 S 12/2013 Norland et al.  
 D694,574 S 12/2013 Norland et al.  
 D694,582 S 12/2013 Norland  
 D694,583 S 12/2013 Norland  
 D695,060 S \* 12/2013 Penaherrera ..... D7/376  
 D696,063 S \* 12/2013 Coakley ..... D7/376  
 D702,078 S \* 4/2014 Coakley ..... D7/376  
 D704,502 S \* 5/2014 Coakley ..... D7/376  
 D711,688 S \* 8/2014 Prats ..... D7/378  
 D730,681 S \* 6/2015 Smith ..... D7/376  
 D730,682 S \* 6/2015 Tu ..... D7/376  
 D730,683 S \* 6/2015 Tu ..... D7/376  
 D731,850 S \* 6/2015 Smith ..... D7/376  
 D733,488 S \* 7/2015 Tu ..... D7/376  
 D745,317 S 12/2015 Dichraff et al.  
 D755,003 S 5/2016 Palermo et al.  
 D765,462 S 9/2016 Davies  
 D765,465 S \* 9/2016 Du ..... D7/376  
 D766,649 S \* 9/2016 Suzuki ..... D7/376  
 D771,999 S \* 11/2016 Kettavong ..... D7/376  
 D773,248 S \* 12/2016 Barquin ..... D7/376  
 2008/0089170 A1 4/2008 Larsen et al.

2008/0089171 A1\* 4/2008 Larsen ..... A47J 43/046  
 366/206  
 2009/0129200 A1\* 5/2009 Breviere ..... A47J 43/0716  
 366/205  
 2010/0246319 A1 9/2010 Pryor, Jr. et al.

OTHER PUBLICATIONS

Japanese Design No. D1491535 (S); Publication Date: Mar. 3, 2014; Machine Translation; 9 Pages.  
 Japanese Design No. D1491536 (S); Publication Date: Mar. 3, 2014; Machine Translation; 9 Pages.  
 Japanese Design No. D1518840 (S); Publication Date: Mar. 9, 2015; Machine Translation; 10 Pages.  
 Japanese Design No. D1523840 (S); Publication Date: May 18, 2015; Machine Translation; 9 Pages.  
 Japanese Design No. D1528172 (S); Publication Date: Jul. 6, 2015; Machine Translation; 9 Pages.  
 Japanese Design No. D1533047 (S); Publication Date: Sep. 7, 2015; Machine Translation; 9 Pages.  
 Notice of References; Japanese Design Application No. 2015-19809; Mailing Date: Jan. 8, 2016; 2 Pages.  
 Notice of References; Japanese Design Application No. 2015-19810; Mailing Date: Jan. 8, 2016; 2 Pages.  
 Notice of References; Japanese Design Application No. 2015-19811; Mailing Date: Jan. 8, 2016; 2 Pages.  
 Notice of References; Japanese Design Application No. 2015-19812; Mailing Date: Jan. 8, 2016; 2 Pages.  
 Notice of References; Japanese Design Application No. 2015-19813; Mailing Date: Jan. 8, 2016; 2 Pages.  
 Notice of References; Japanese Design Application No. 2015-19814; Mailing Date: Jan. 8, 2016; 2 Pages.  
 Notice of References; Japanese Design Application No. 2015-19815; Mailing Date: Jan. 8, 2016; 2 Pages.  
 Notice of References; Japanese Design Application No. 2015-19816; Mailing Date: Jan. 8, 2016; 2 Pages.  
 Notice of References; Japanese Design Application No. 2015-19817; Mailing Date: Jan. 8, 2016; 2 Pages.  
 Requirement for Restriction/Election; Blender; U.S. Appl. No. 29/527,670, filed May 21, 2015; 6 Pages.  
 Requirement for Restriction/Election; Blender; U.S. Appl. No. 29/531,840, filed Jun. 30, 2015; 7 Pages.  
 Walmart; "Oster 600-Watt Fusion Blender, BRLY07-B00-000"; URL: <http://www.walmart.com/ip/Oster-600-Watt-Fusion-Blender/9604653>; URL Accessed: Jul. 29, 2016; 8 Pages.  
 Notice of Allowance; Blender Base; U.S. Appl. No. 29/531,840, filed Jun. 30, 2015; Notification Date: Nov. 25, 2016; 11 Pages.

\* cited by examiner

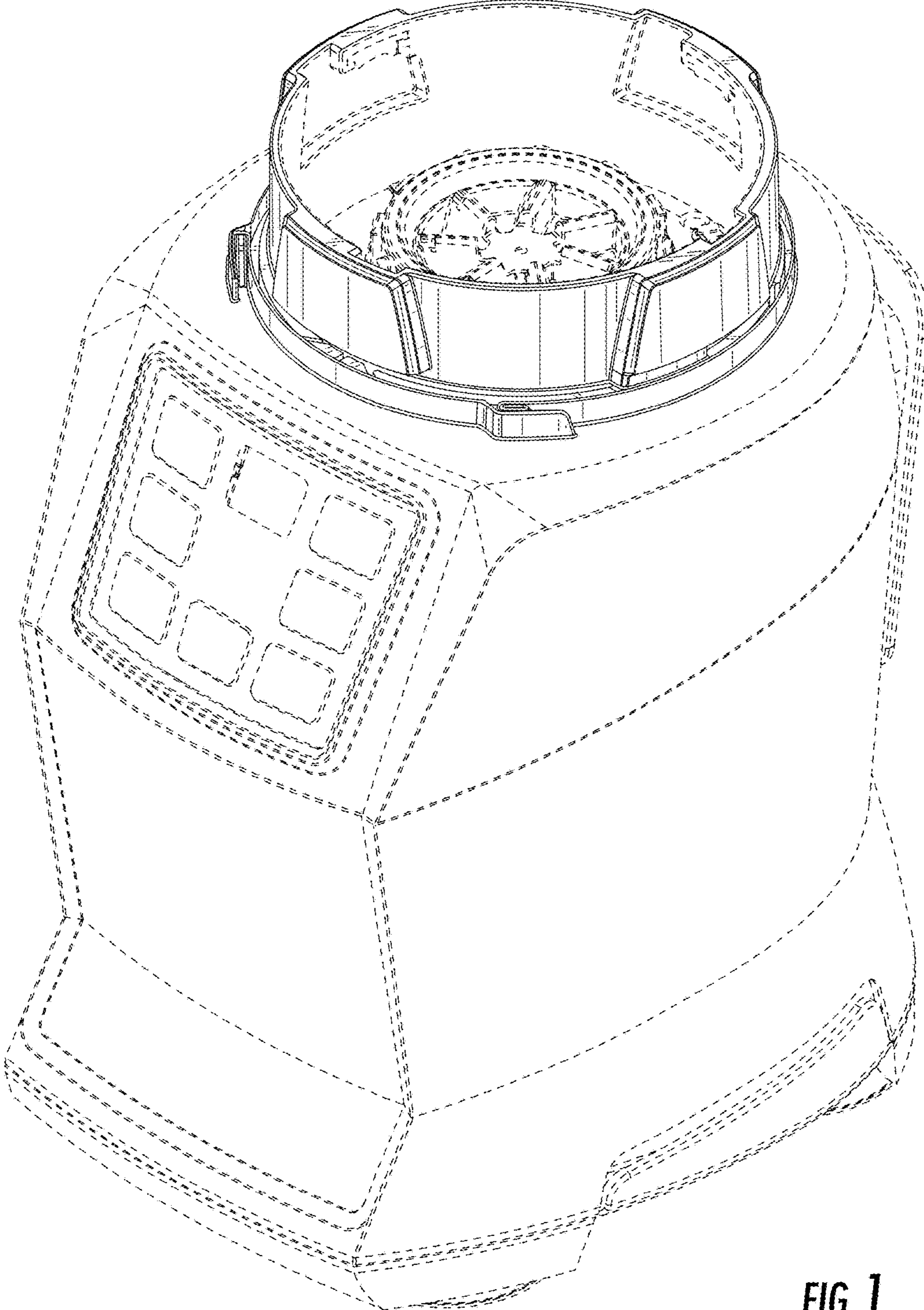


FIG. 1

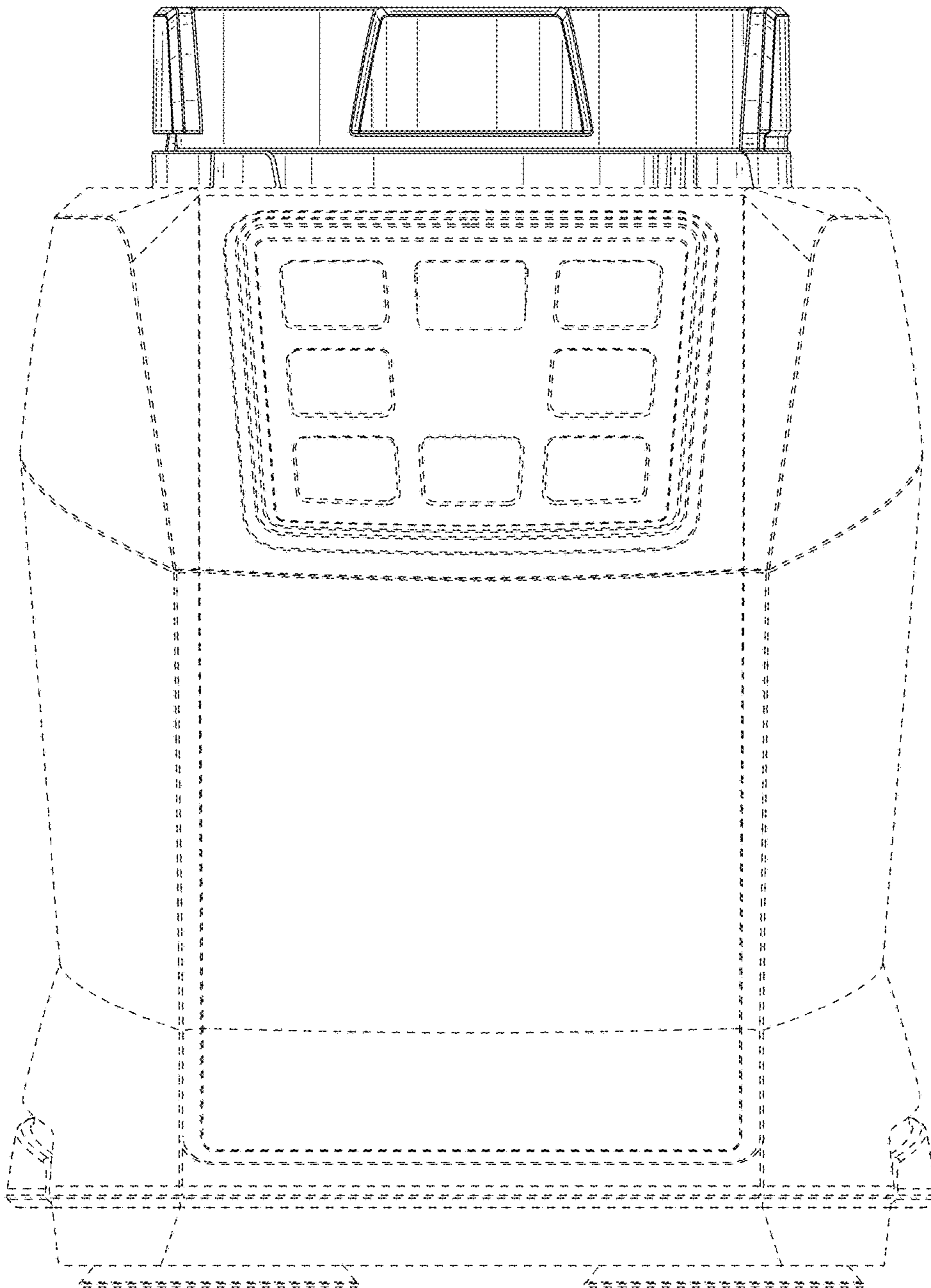


FIG. 2

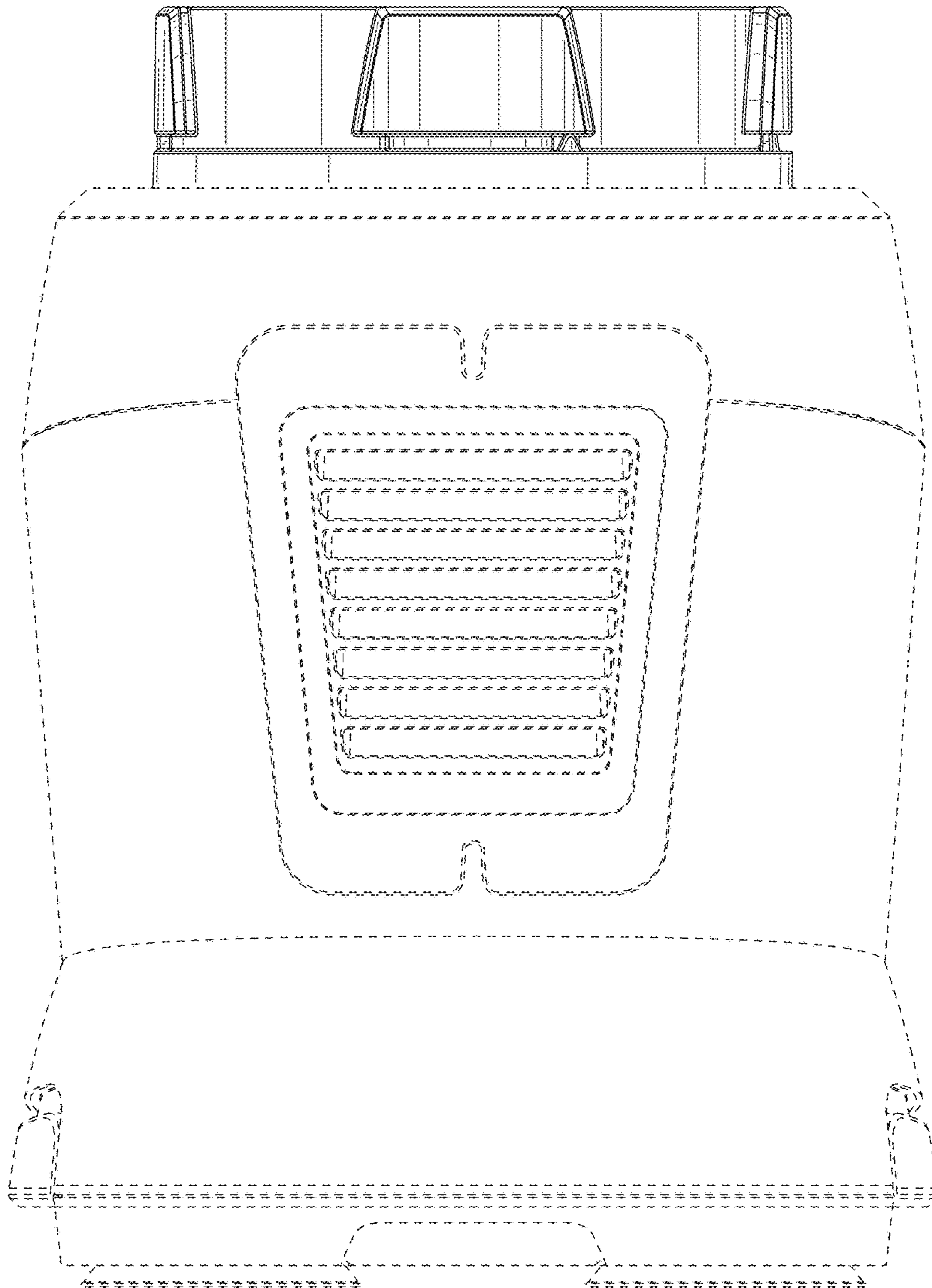


FIG. 3

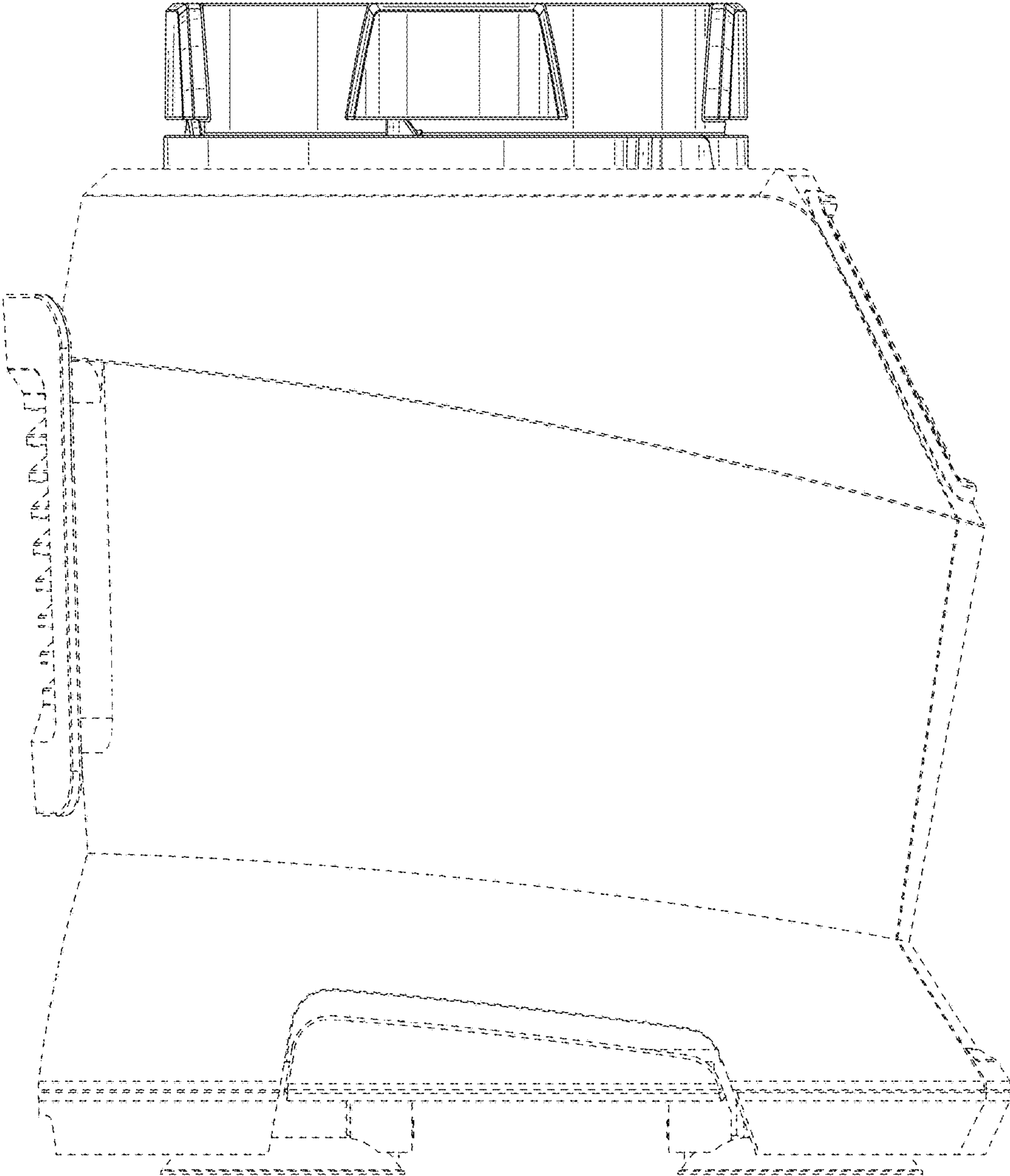


FIG. 4

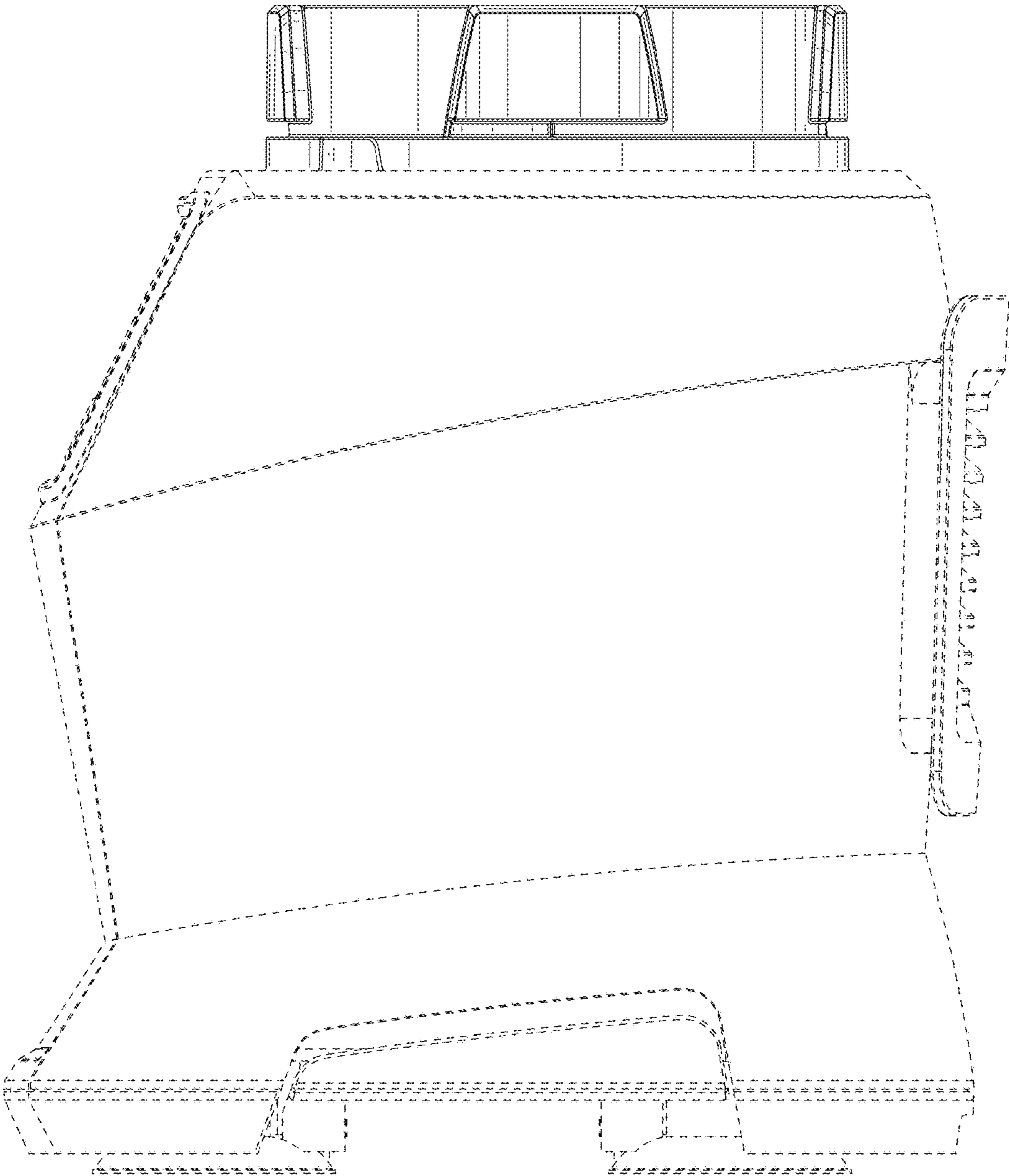


FIG. 5

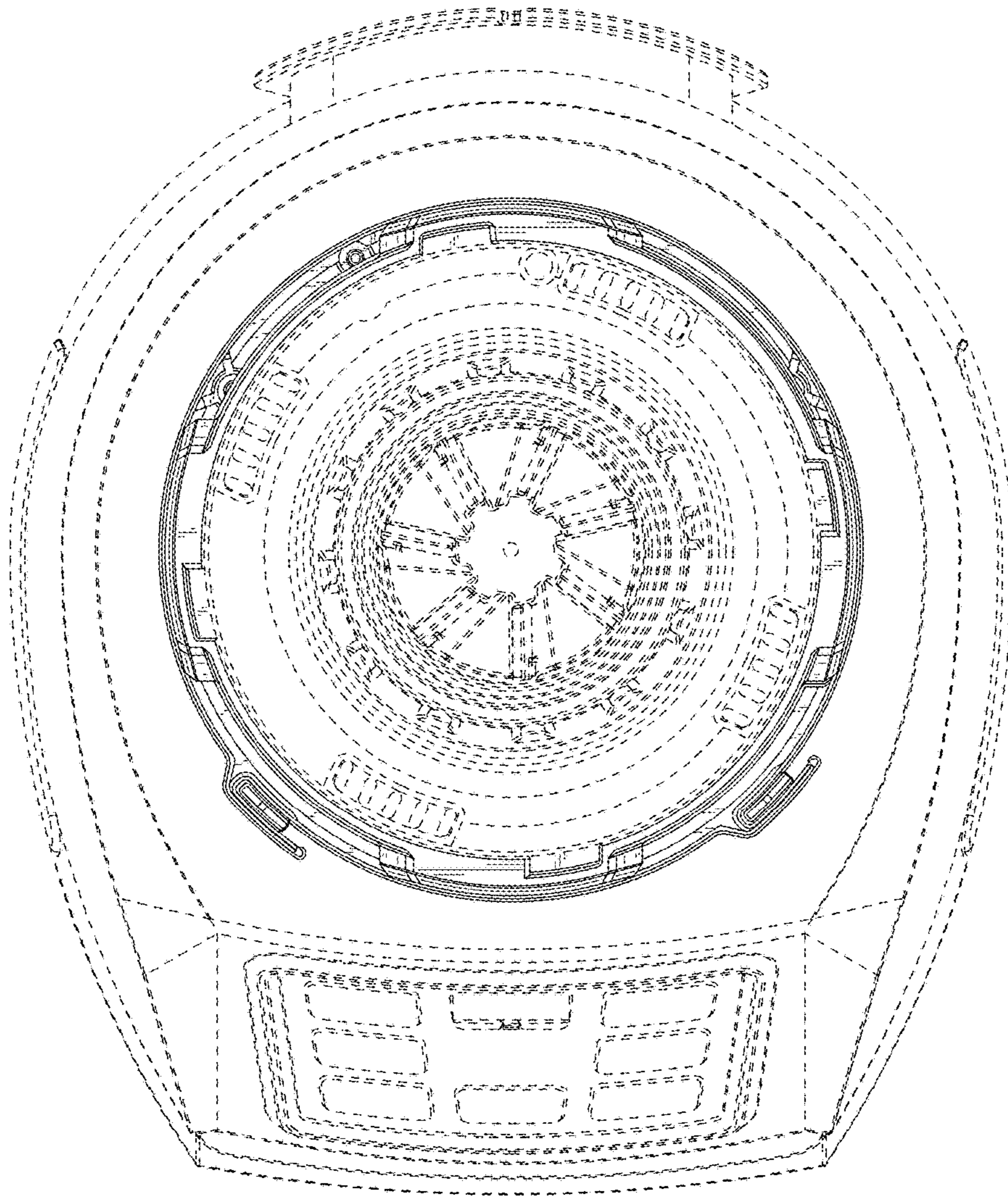


FIG. 6



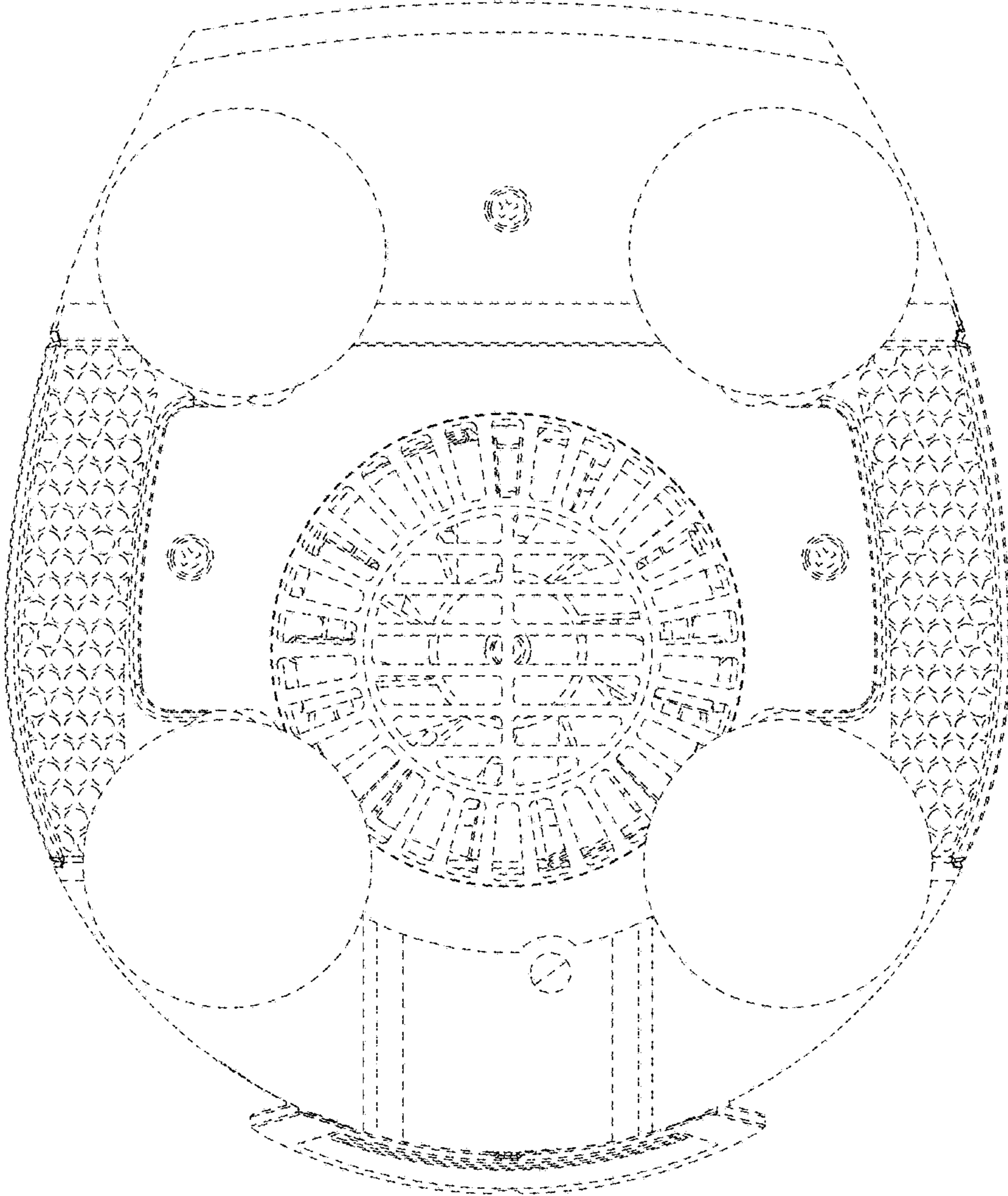


FIG. 7

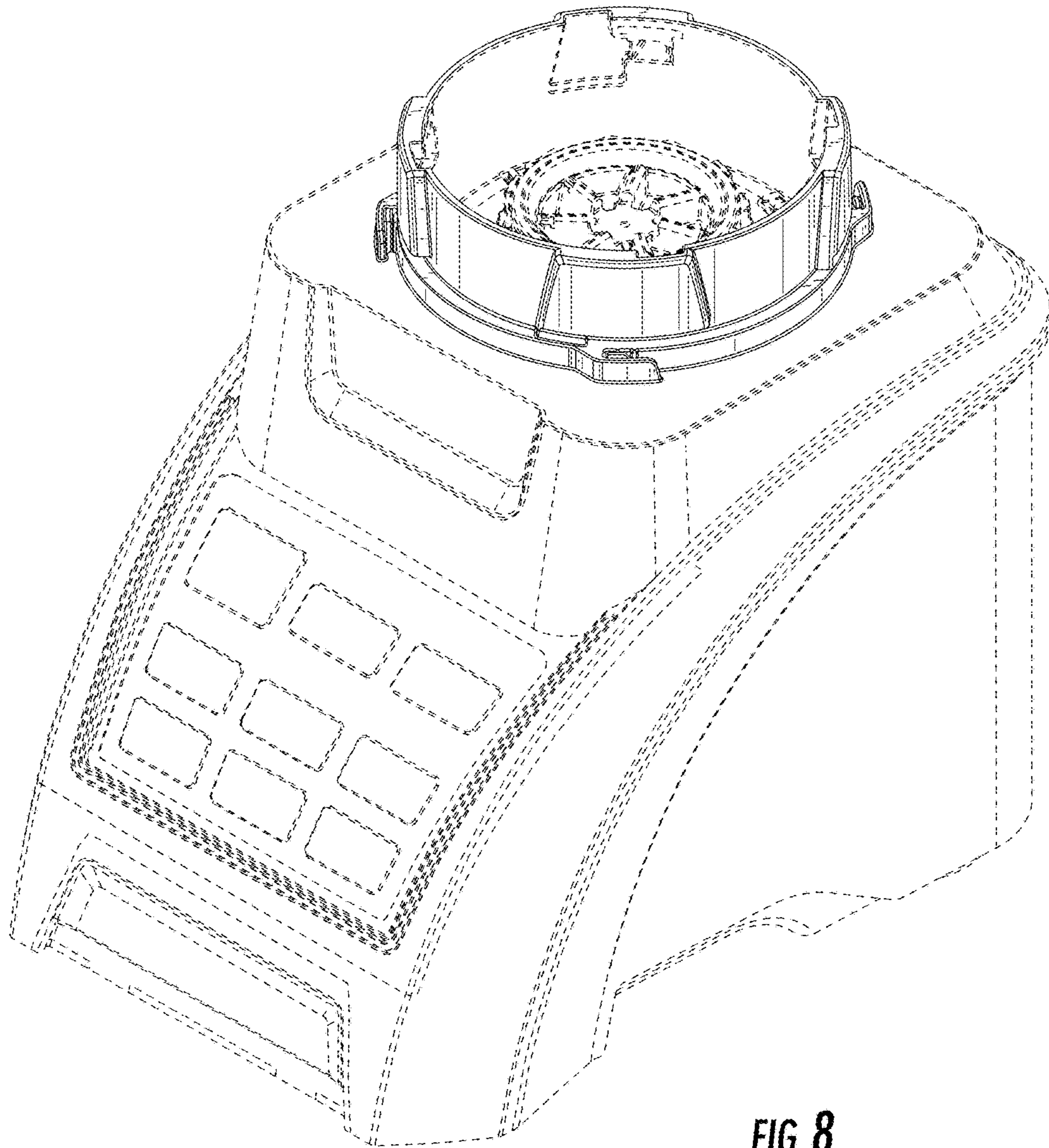


FIG. 8

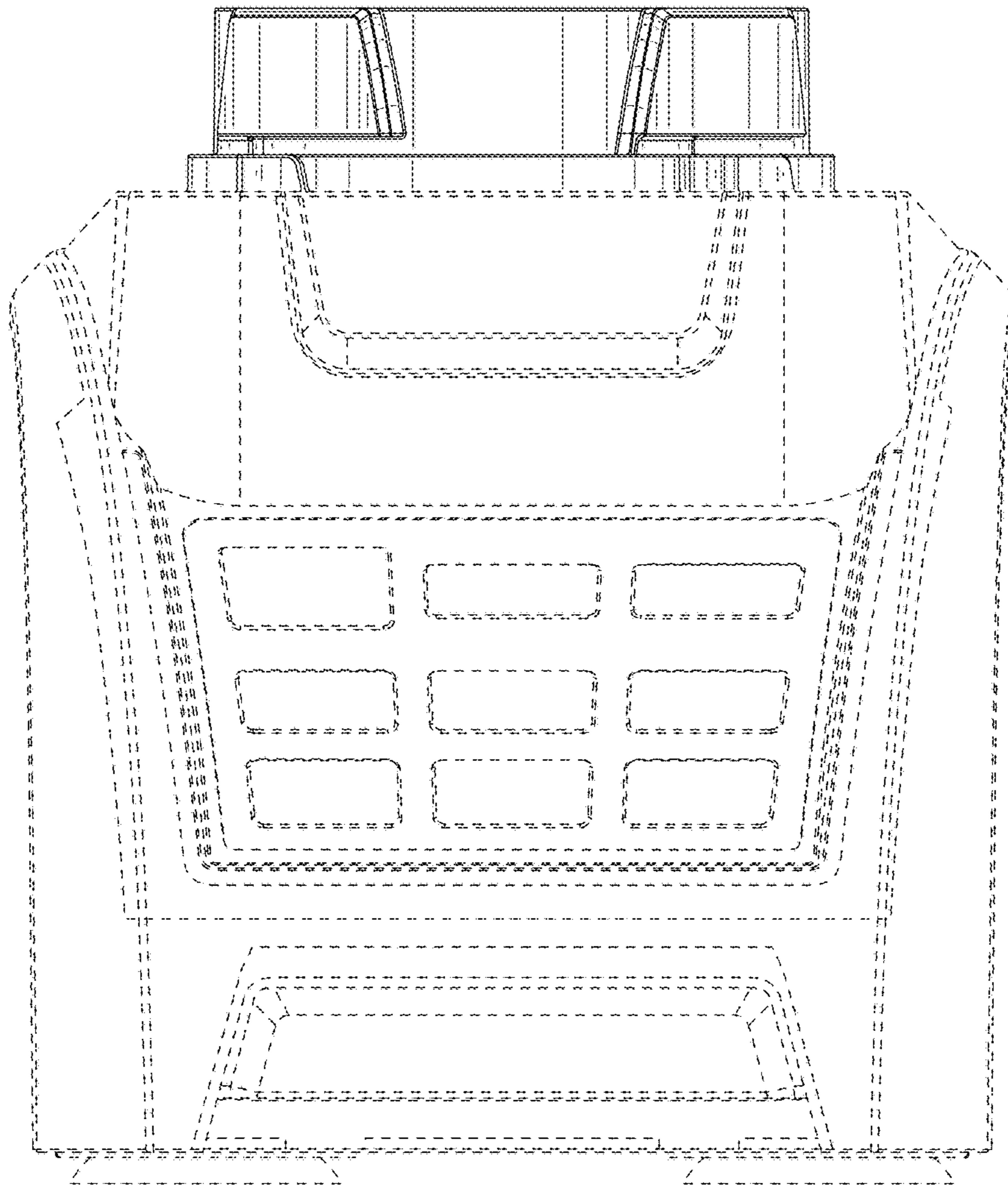


FIG. 9

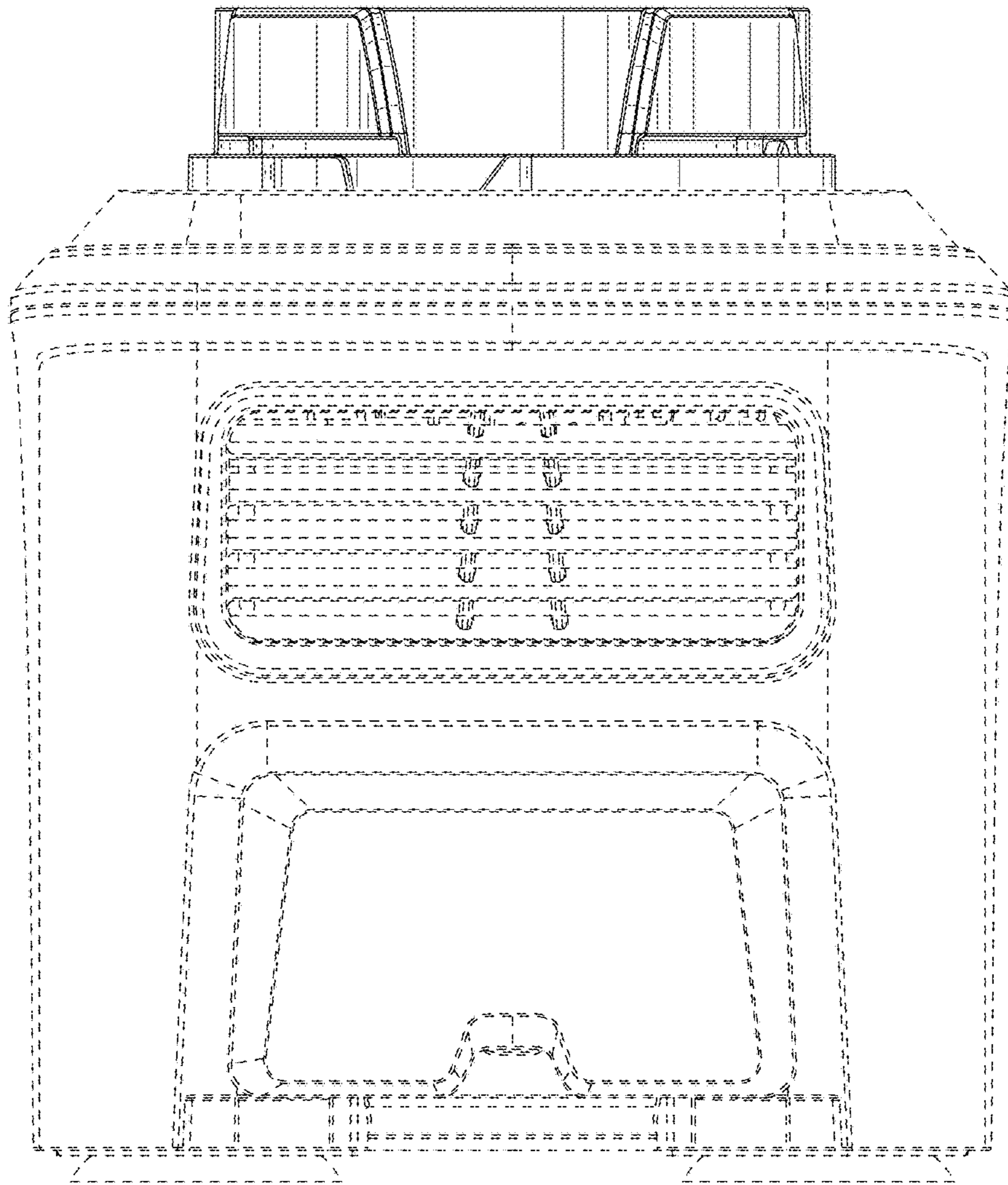


FIG. 10

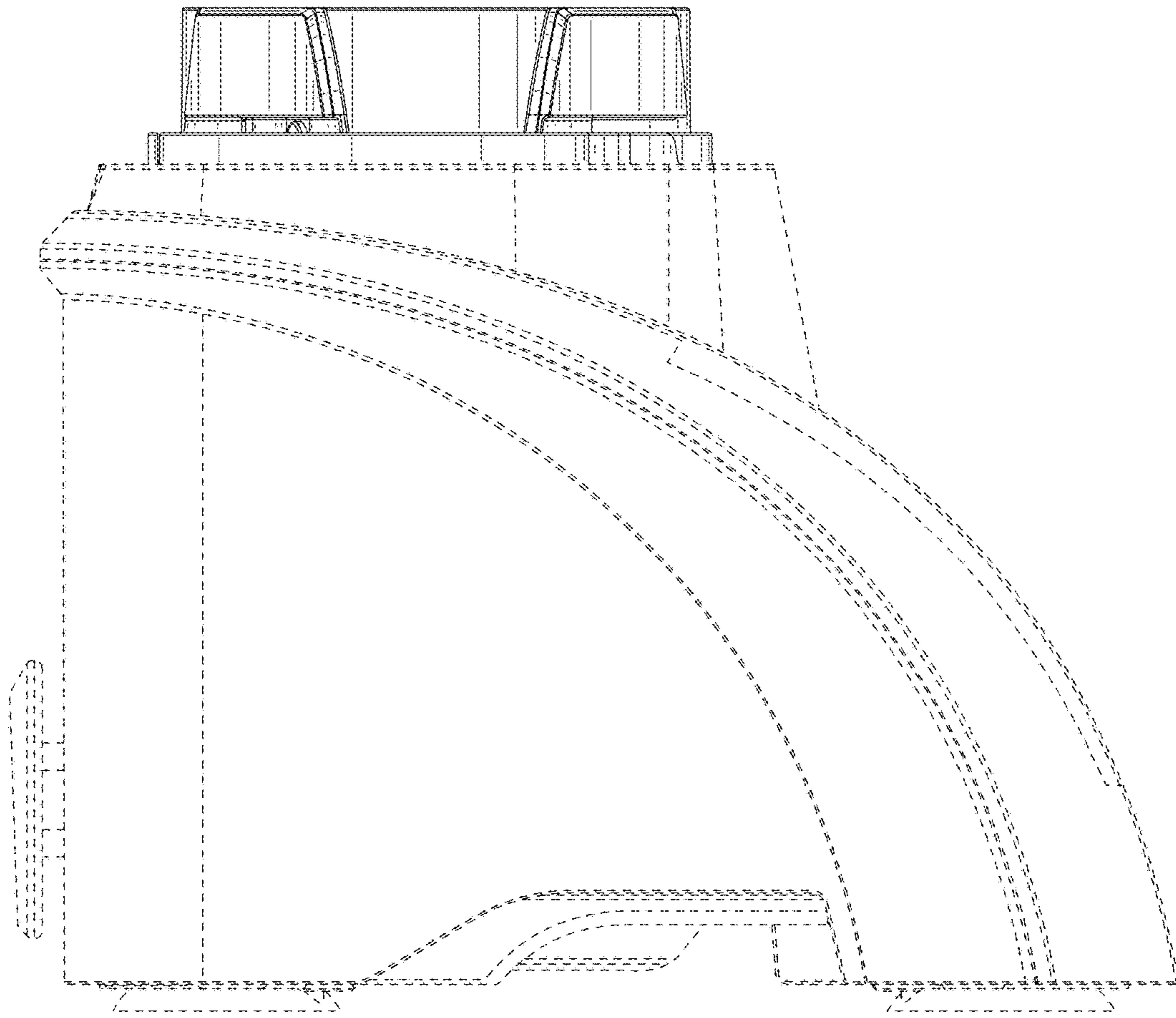


FIG. 11

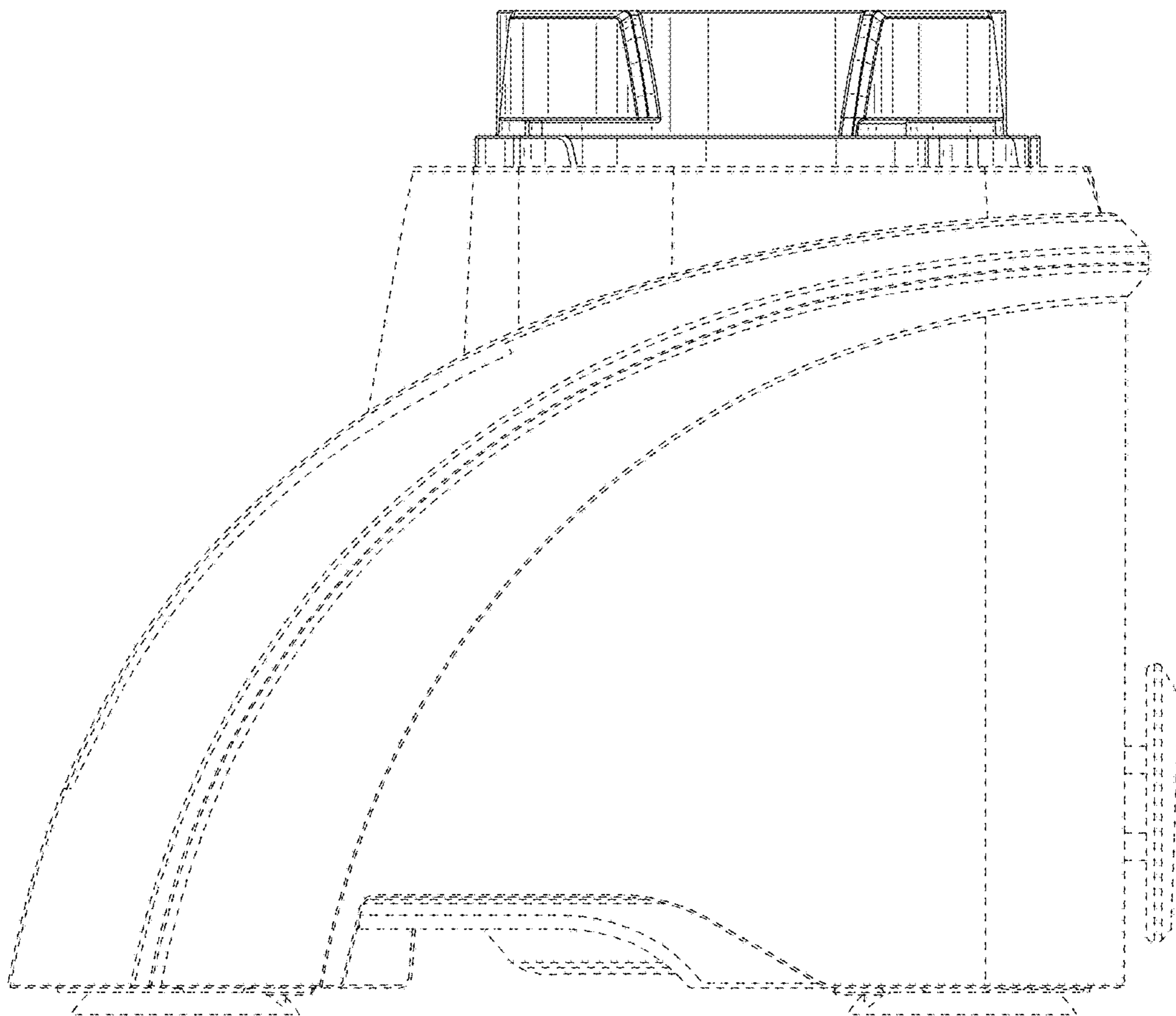


FIG. 12

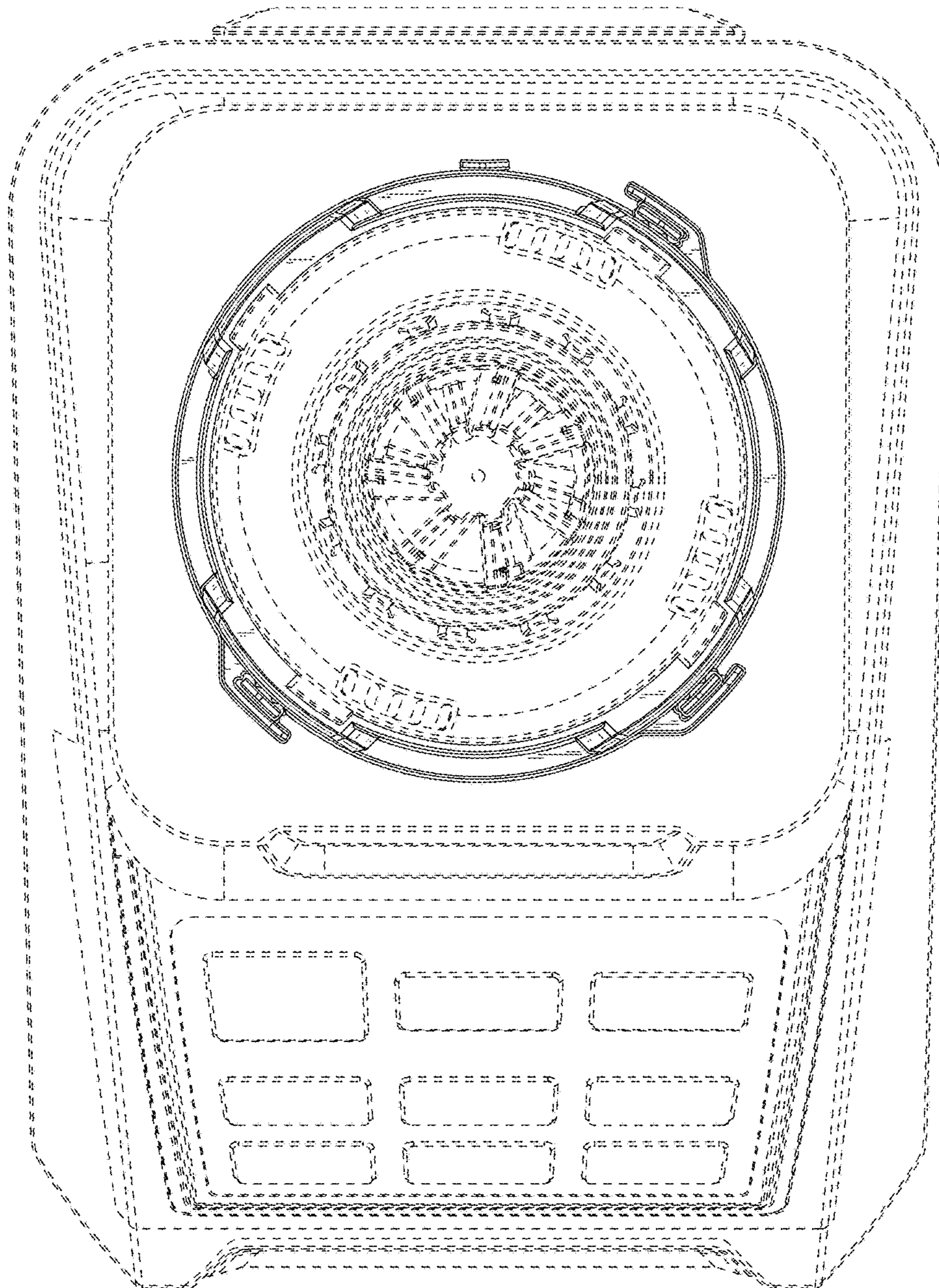


FIG. 13

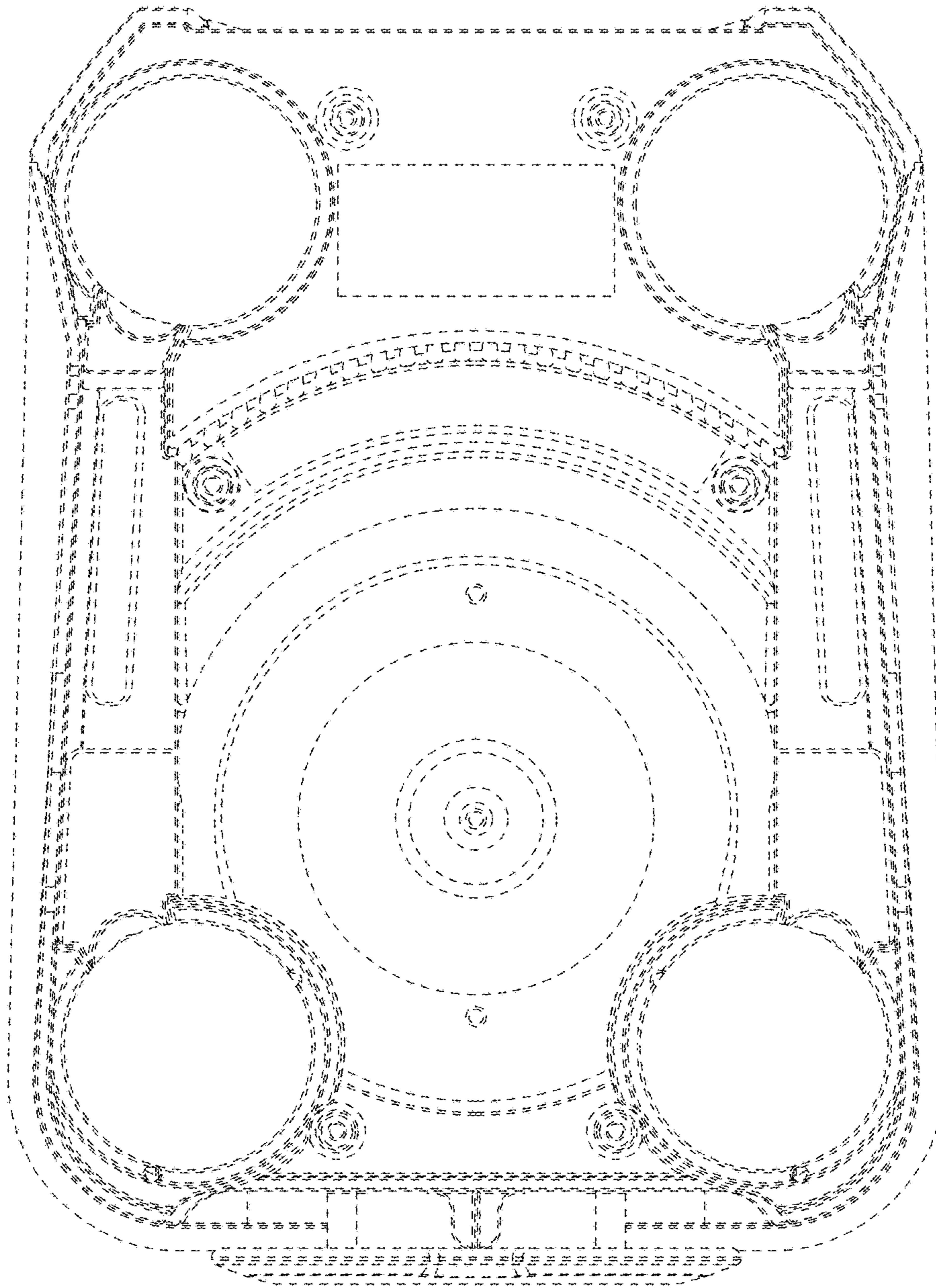


FIG. 14