



US00D793152S

(12) **United States Design Patent** (10) **Patent No.:** **US D793,152 S**  
**Gushwa et al.** (45) **Date of Patent:** **\*\* Aug. 1, 2017**

(54) **FOOD CHOPPER**

(71) Applicant: **WHIRLPOOL CORPORATION**,  
Benton Harbor, MI (US)

(72) Inventors: **David J. Gushwa**, Mishawaka, IN  
(US); **John W. McConnell**, St. Joseph,  
MI (US); **Joel Graham Van Faasen**,  
Holland, MI (US)

(73) Assignee: **Whirlpool Corporation**, Benton  
Harbor, MI (US)

(\*\*) Term: **15 Years**

(21) Appl. No.: **29/554,424**

(22) Filed: **Feb. 11, 2016**

(51) **LOC (10) Cl.** ..... **31-00**

(52) **U.S. Cl.**  
USPC ..... **D7/384**; D7/372; D7/376; D7/378;  
D7/412

(58) **Field of Classification Search**

USPC ..... D7/372, 376-386, 412-413, 602, 629,  
D7/665-666, 669, 679, 693-694; D15/82  
CPC .... A21C 1/02; A21C 1/04; A23N 1/00; A23N  
1/02; A47J 43/04; A47J 43/25; A47J  
43/27; A47J 43/042; A47J 43/044; A47J  
43/046; A47J 43/075; A47J 43/0722;  
A47J 43/0727; A47J 43/0777; B01F 3/00;  
B01F 3/0807; B01F 3/0853; B01F  
13/0059; B01F 13/0064; B02C 1/08;  
B02C 2/04; B02C 4/42; B02C 4/142;  
B02C 4/143; B02C 4/423; B02C 13/1835;  
B28C 5/10; B28C 5/12; B28C 5/14;  
B28C 5/16

See application file for complete search history.

(56) **References Cited**

U.S. PATENT DOCUMENTS

D406,154 S \* 2/1999 Copland ..... D15/82  
D426,423 S \* 6/2000 Lee ..... D7/384

D466,363 S 12/2002 Dalton et al.  
D484,357 S 12/2003 Seum et al.  
D488,344 S 4/2004 Seum et al.  
D502,842 S \* 3/2005 Hallar ..... D7/384  
D547,601 S \* 7/2007 Ting ..... D7/384  
D560,093 S 1/2008 Verdun  
D580,216 S 11/2008 Ryan  
D595,084 S 6/2009 Metaxatos et al.  
D625,142 S 10/2010 Moore  
D625,144 S 10/2010 Moore et al.  
D644,478 S \* 9/2011 Czach ..... D7/372  
D702,993 S \* 4/2014 Lownds ..... D7/376  
D711,682 S 8/2014 Norland et al.

(Continued)

*Primary Examiner* — Ricky Pham

(74) *Attorney, Agent, or Firm* — Price Heneveld LLP

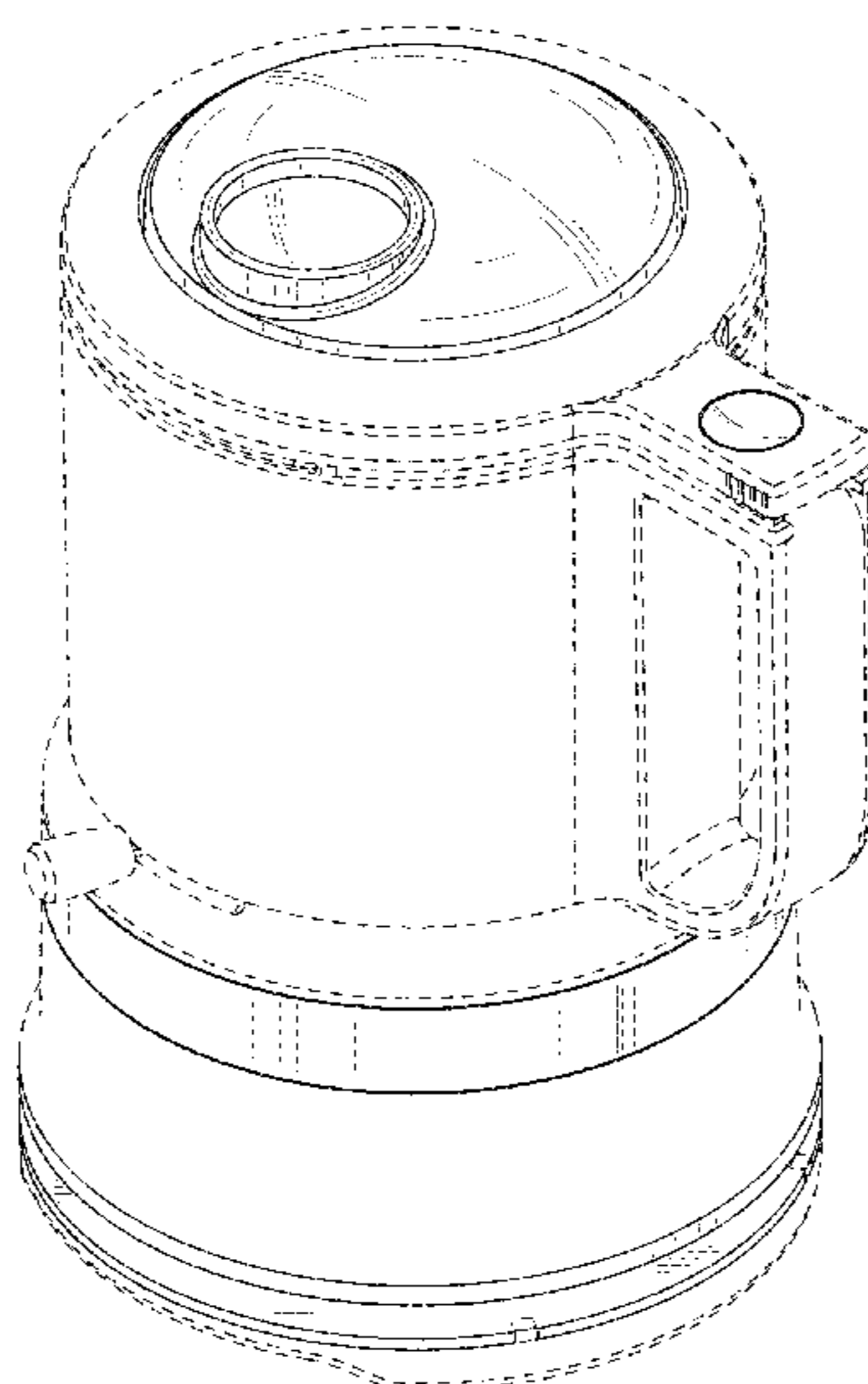
(57) **CLAIM**

We claim the ornamental design for a food chopper, as shown and described.

**DESCRIPTION**

FIG. 1 is a front perspective view of a food chopper of the present disclosure;  
FIG. 2 is a rear perspective view of the food chopper of FIG. 1;  
FIG. 3 is a front side elevational view of the food chopper of FIG. 1;  
FIG. 4 is a rear side elevational view of the food chopper of FIG. 1;  
FIG. 5 is a first side elevational view of the food chopper of FIG. 1;  
FIG. 6 is a second side elevational view of the food chopper of FIG. 1.  
FIG. 7 is a top plan view of the food chopper of FIG. 1; and, FIG. 8 is a bottom plan view of the food chopper of FIG. 1. The broken lines depict portions of the article that form no part of the claimed design.

**1 Claim, 8 Drawing Sheets**



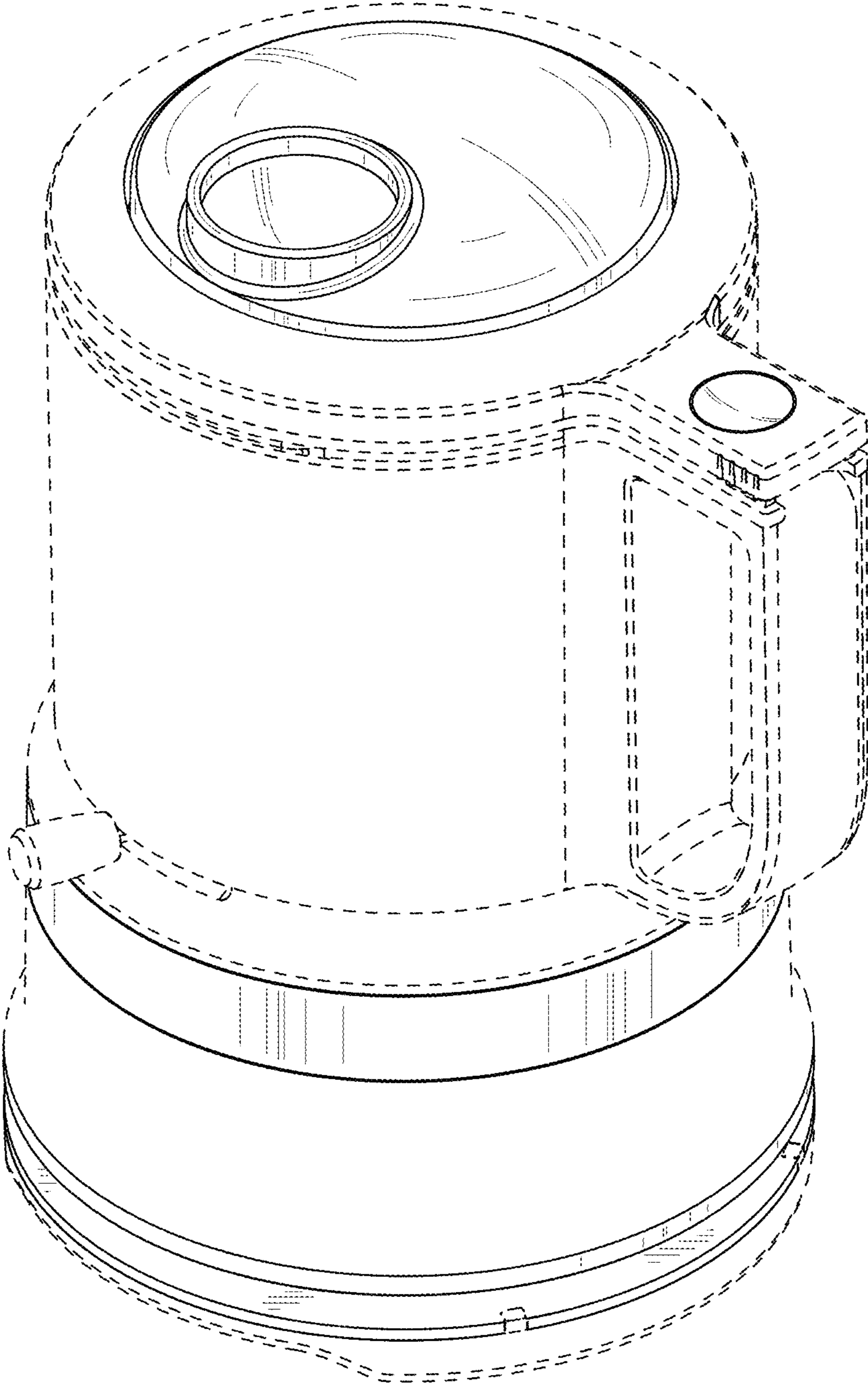
(56)

**References Cited**

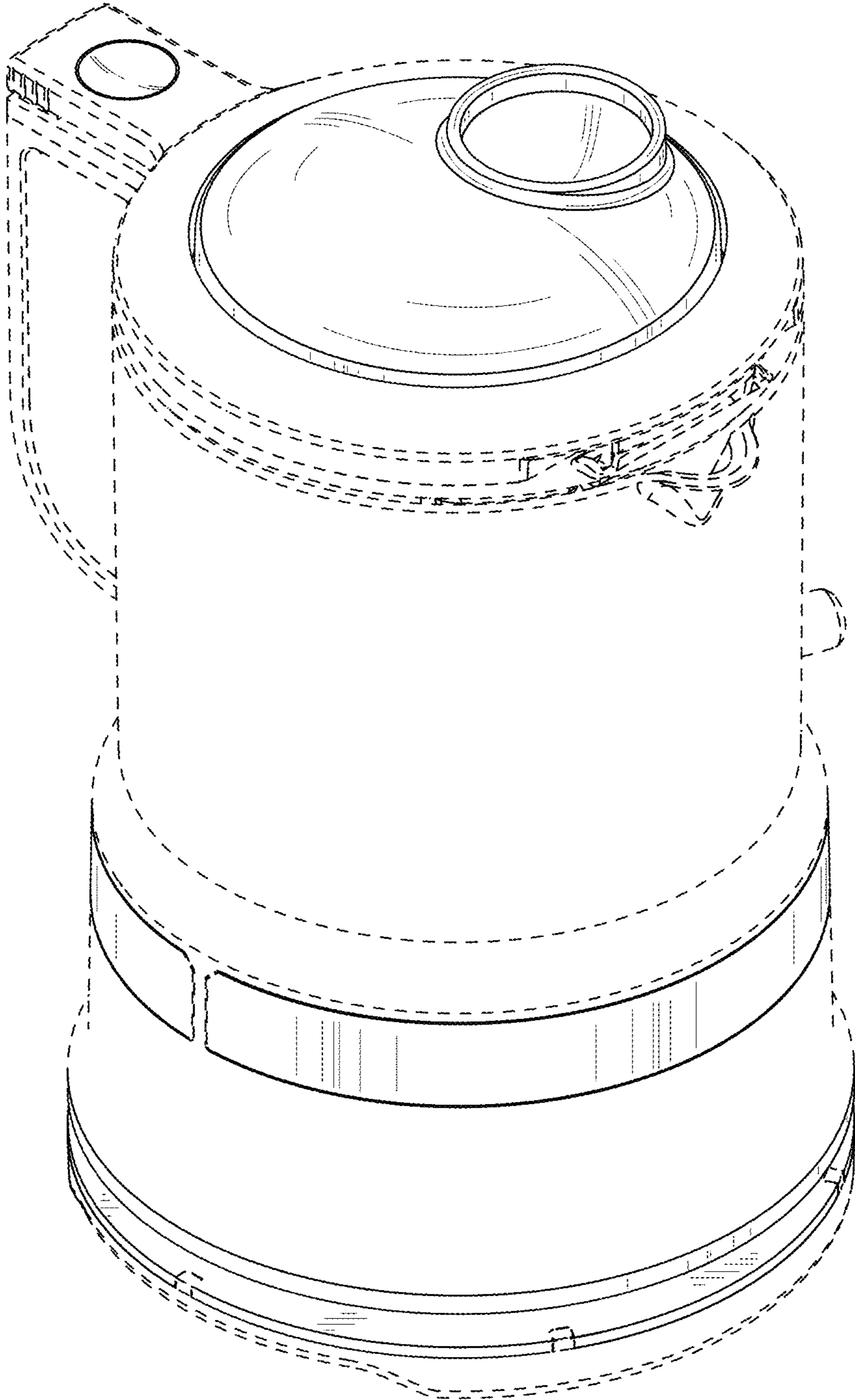
U.S. PATENT DOCUMENTS

9,427,111 B2 \* 8/2016 Gen ..... A47J 43/0777  
D767,327 S \* 9/2016 McConnell ..... D7/376

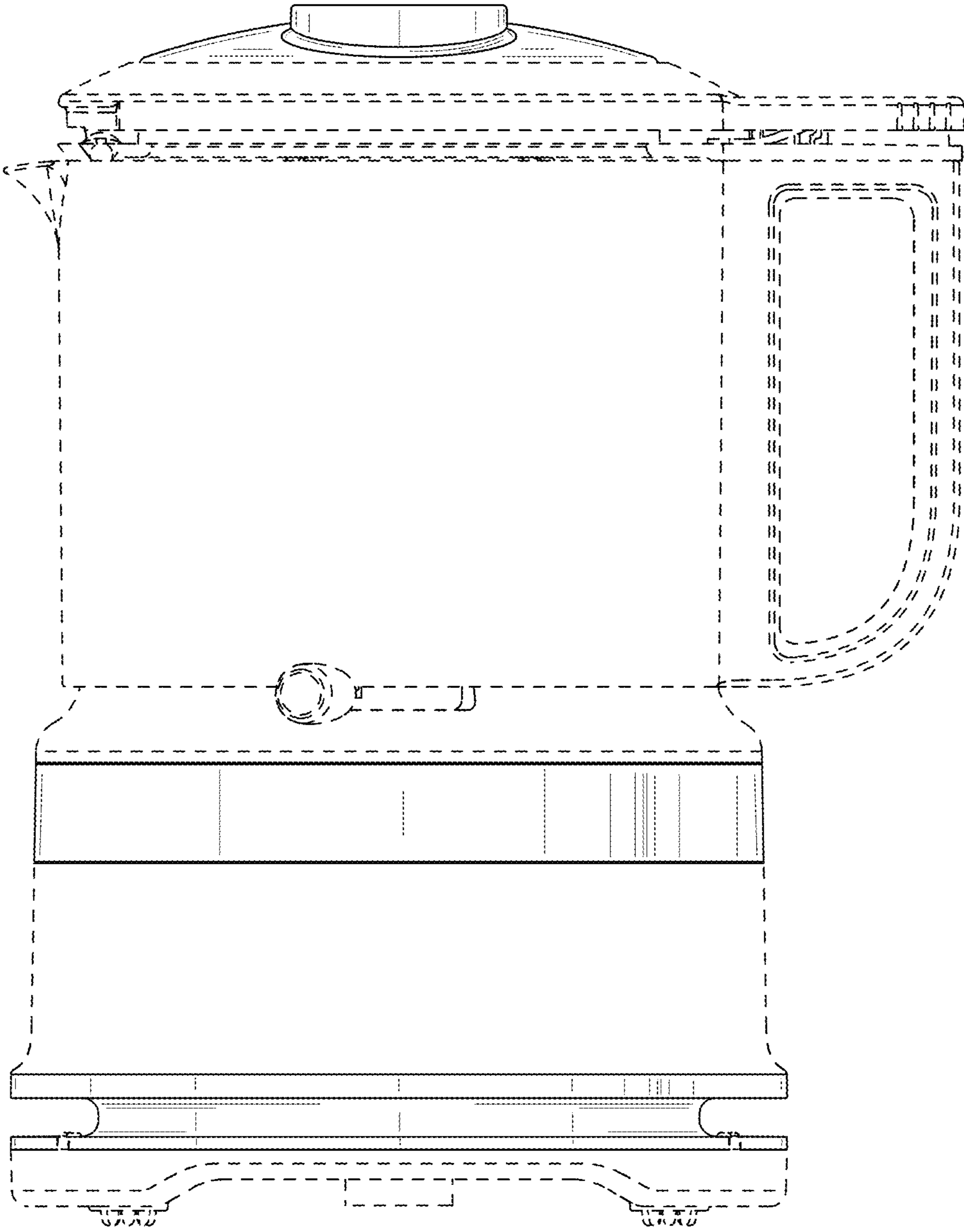
\* cited by examiner



**FIG. 1**

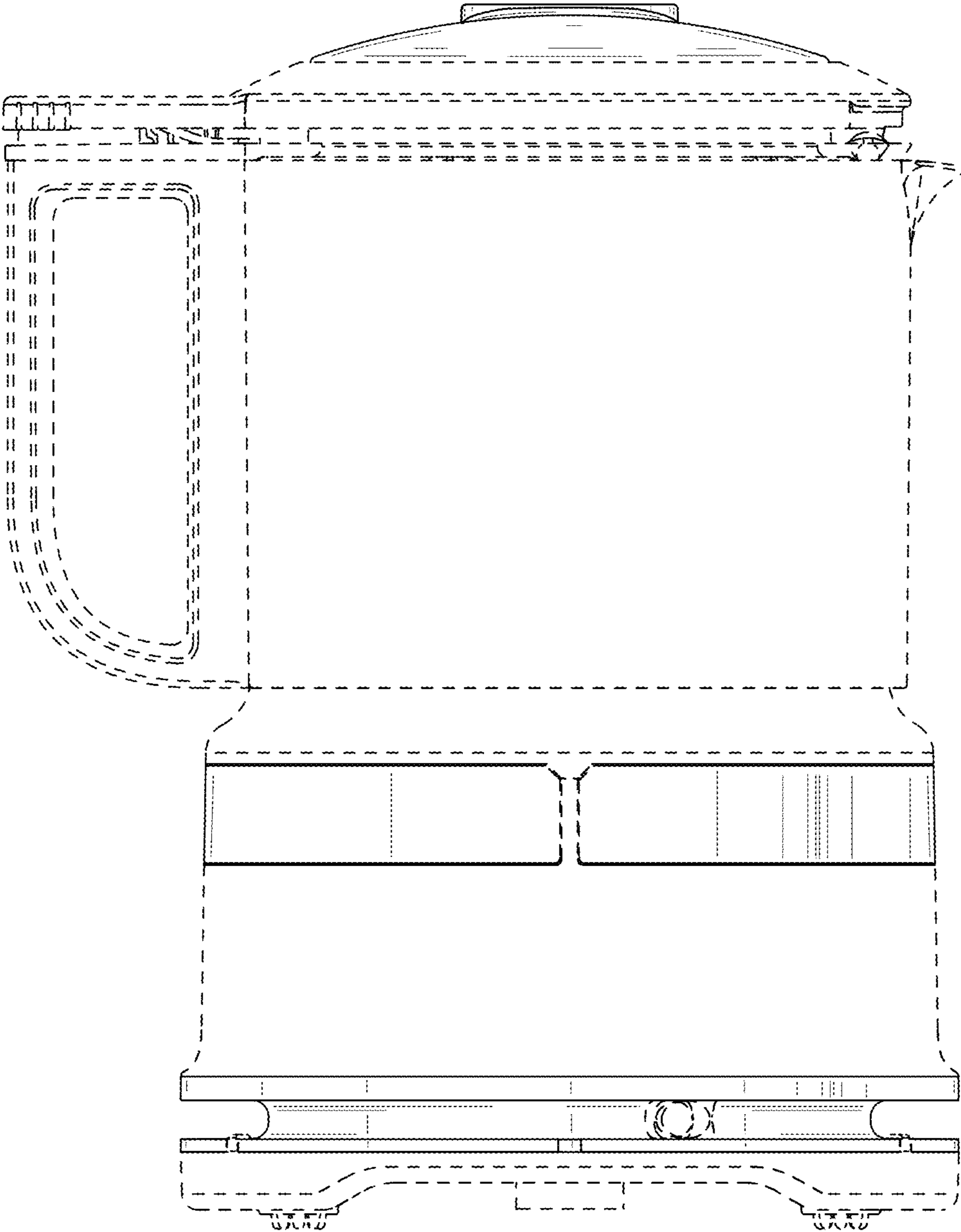


**FIG. 2**

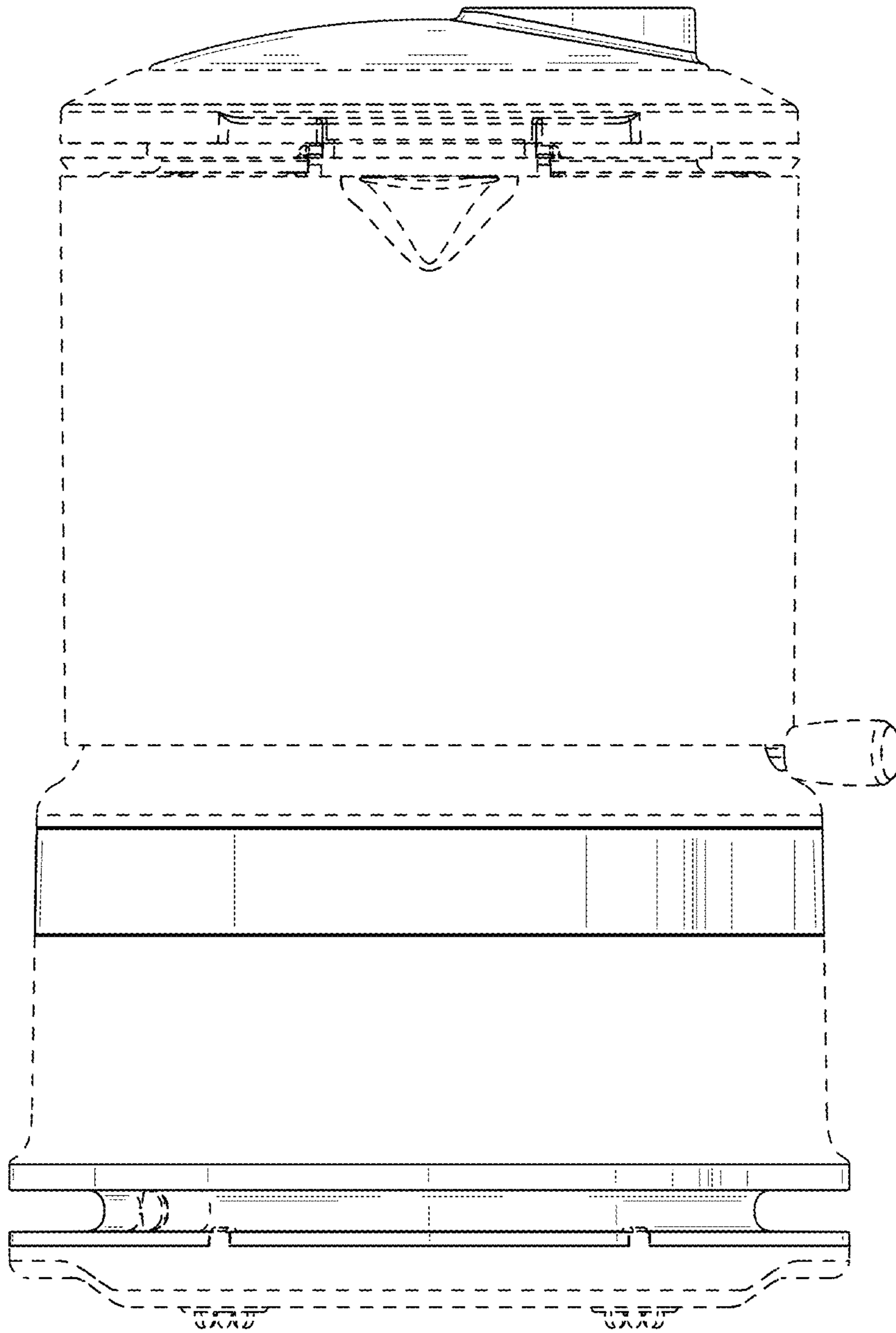


**FIG. 3**





**FIG. 4**



**FIG. 5**

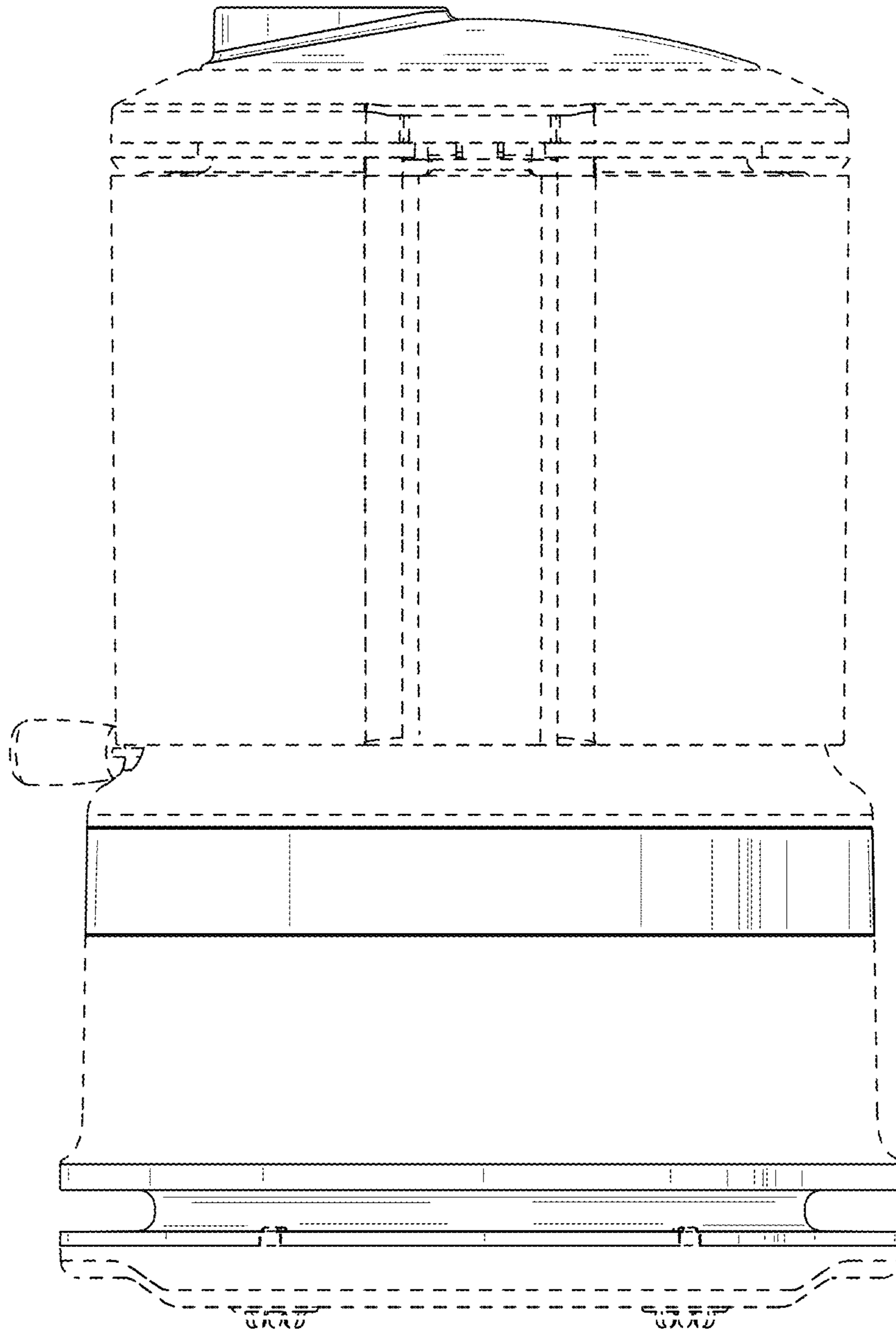
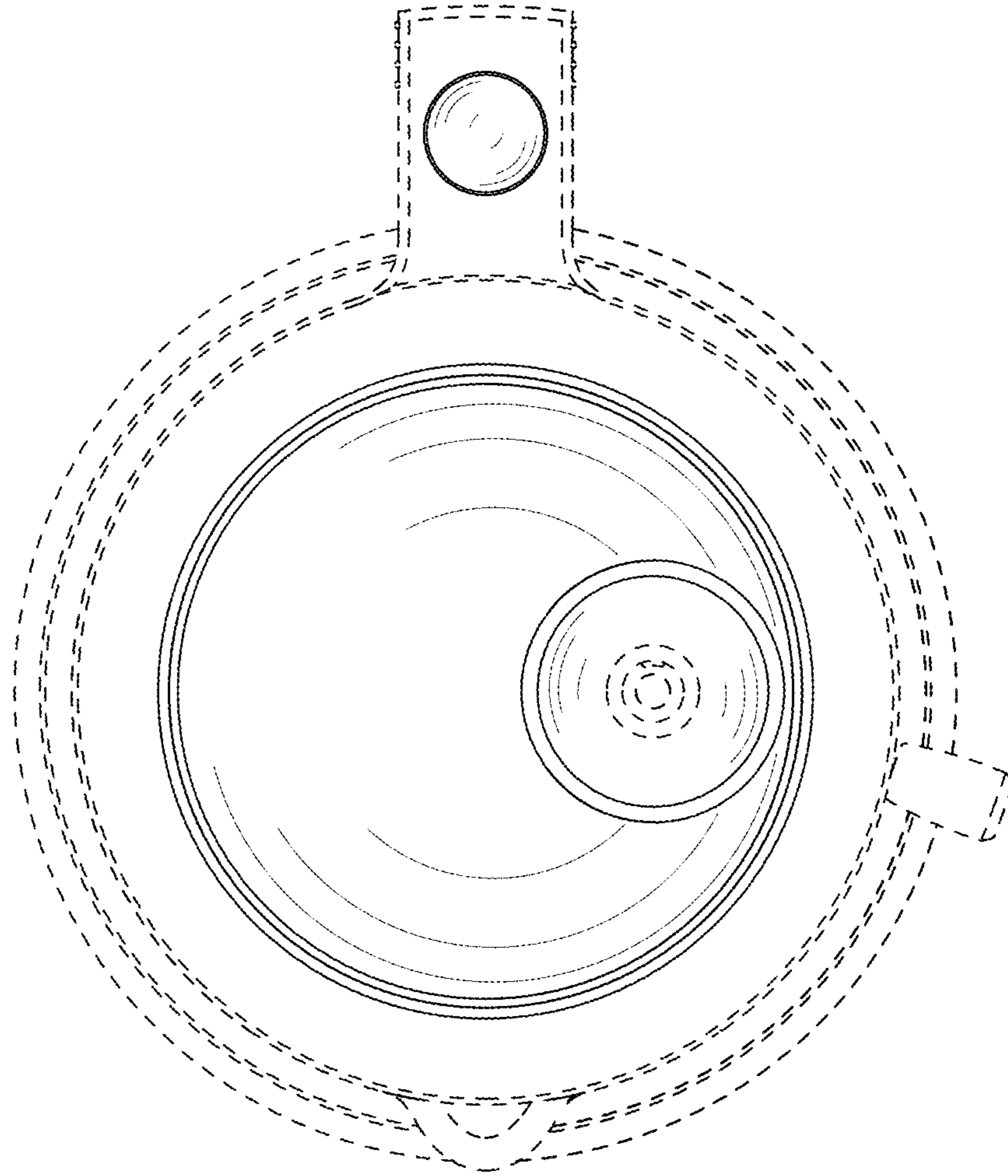


FIG. 6





**FIG. 7**

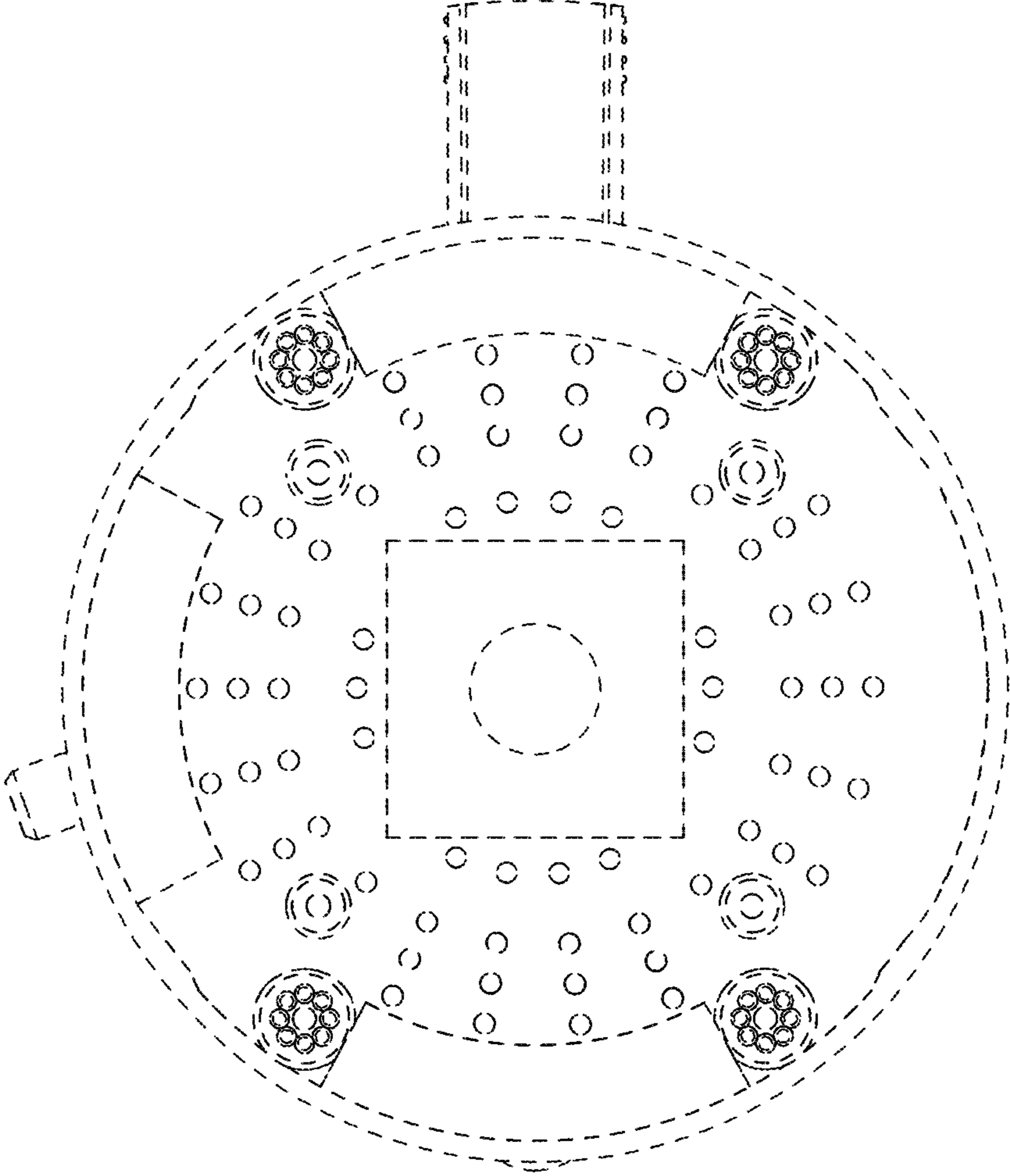


FIG. 8