



US00D793151S

(12) **United States Design Patent** (10) **Patent No.:** **US D793,151 S**  
**Joseph** (45) **Date of Patent:** **\*\* Aug. 1, 2017**

(54) **PASTA COOKER**

(71) Applicant: **Joseph Joseph LTD.**, London (GB)

(72) Inventor: **Antony Joseph**, London (GB)

(73) Assignee: **Joseph Joseph Ltd.**, London (GB)

(\*\*) Term: **15 Years**

(21) Appl. No.: **29/540,927**

(22) Filed: **Sep. 29, 2015**

(30) **Foreign Application Priority Data**

Apr. 10, 2015 (EM) ..... 002678458-0005

(51) **LOC (10) Cl.** ..... **07-02**

(52) **U.S. Cl.**  
USPC ..... **D7/354**

(58) **Field of Classification Search**

USPC .... D3/201, 202, 203.1, 270, 271.1; D6/672, D6/674, 677, 707.15; D7/323, 329-332, D7/337-339, 346-347, 350.1-350.4, D7/353-368, 391, 392.1, 393-398, D7/402-406, 409, 511, 515, 523, 526, D7/530, 531, 534.1, 538, 542, 543, 551, D7/553.1, 553.2, 553.7, 554.1, 554.4, D7/560-566, 584-588, 600.1, 601-615; D9/414, 418, 420, 430, 432

CPC ..... A47G 19/12; A47J 27/00; A47J 27/002; A47J 27/004; A47J 27/08; A47J 27/21; A47J 27/58; A47J 35/025; A47J 37/00; A47J 37/10; A47J 37/101; A47J 37/103; A47J 37/1204; A47J 37/0704; A47J 45/061; A47J 45/065; A47J 45/071; A47J 45/08; A47J 29/00; A47J 29/02; A47J 29/04; A47J 29/06; A47J 36/025; H05B 6/06; H05B 6/12; A01K 41/02; A01K 41/026; A01K 41/04; A23B 5/00; A23B 5/005; A23B 5/0052; B65D 11/02

See application file for complete search history.

(56) **References Cited**

U.S. PATENT DOCUMENTS

D244,827 S *	6/1977	Nevai .....	D32/55
D253,628 S *	12/1979	Adamson .....	D7/553.2
D254,529 S *	3/1980	Arnoff .....	D32/55
D308,000 S *	5/1990	Slany .....	D7/354
D314,306 S *	2/1991	Slany .....	D7/354
D316,650 S *	5/1991	Slany .....	D7/354
D339,264 S *	9/1993	Lee .....	D7/354
D359,879 S *	7/1995	Fielding .....	D7/354
D360,111 S *	7/1995	Kearney .....	D7/553.5

(Continued)

OTHER PUBLICATIONS

Microwave Pasta Cooker: Announced Mar. 3, 2016 [online], site visited [Jan. 2, 2017]. Available from Internet URL: <https://www.josephjoseph.com/en-us/m-cuisine-pasta-cooker>.\*

*Primary Examiner* — Barbara Fox

*Assistant Examiner* — Catherine Posthauer

(74) *Attorney, Agent, or Firm* — Millen White Zelano & Branigan, P.C.

(57) **CLAIM**

The ornamental design for a pasta cooker, as shown and described.

**DESCRIPTION**

FIG. 1 is a top perspective view of the pasta cooker showing my new design.

FIG. 2 is a bottom perspective view thereof.

FIG. 3 is a side view thereof.

FIG. 4 is another side view thereof.

FIG. 5 is another side view thereof.

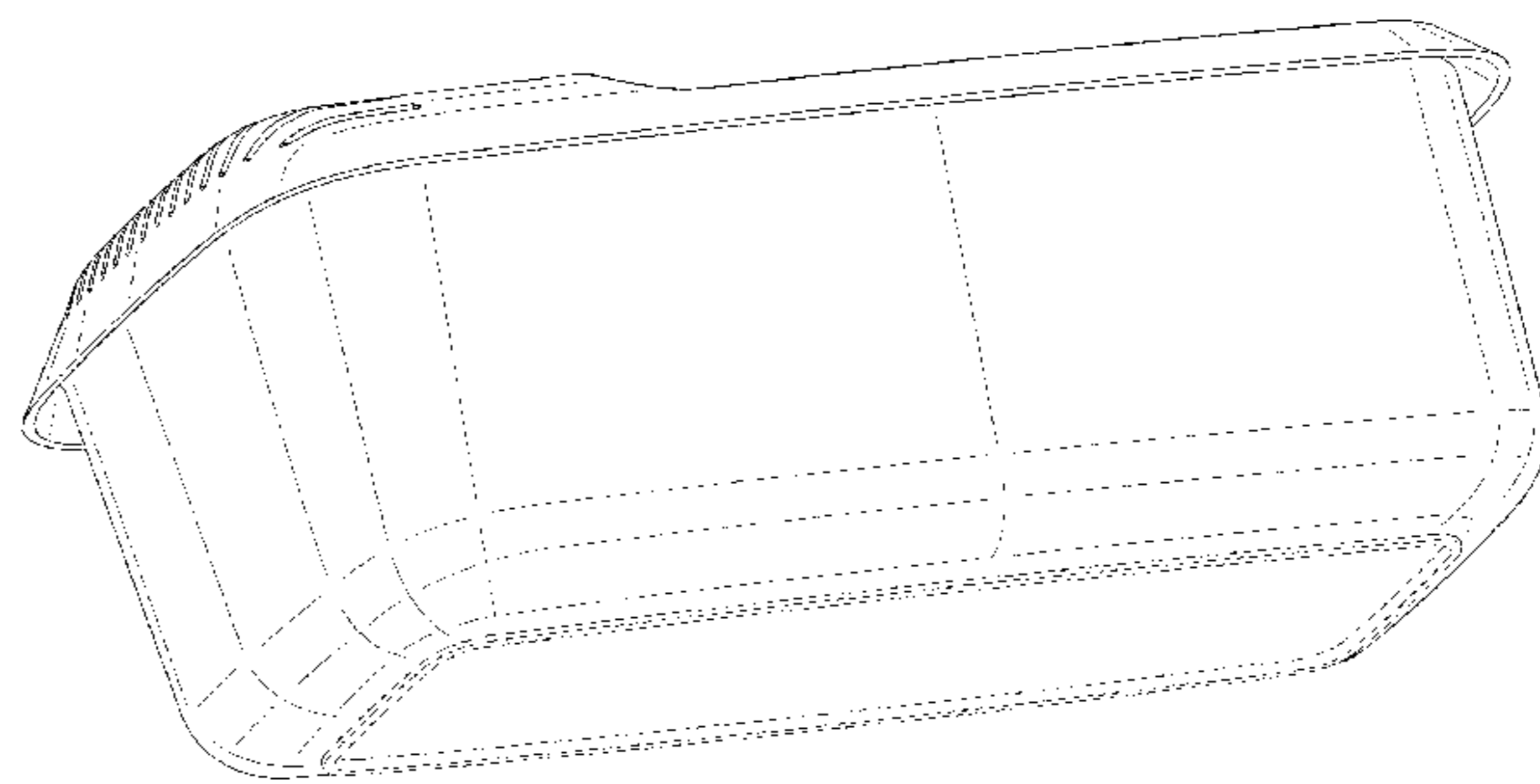
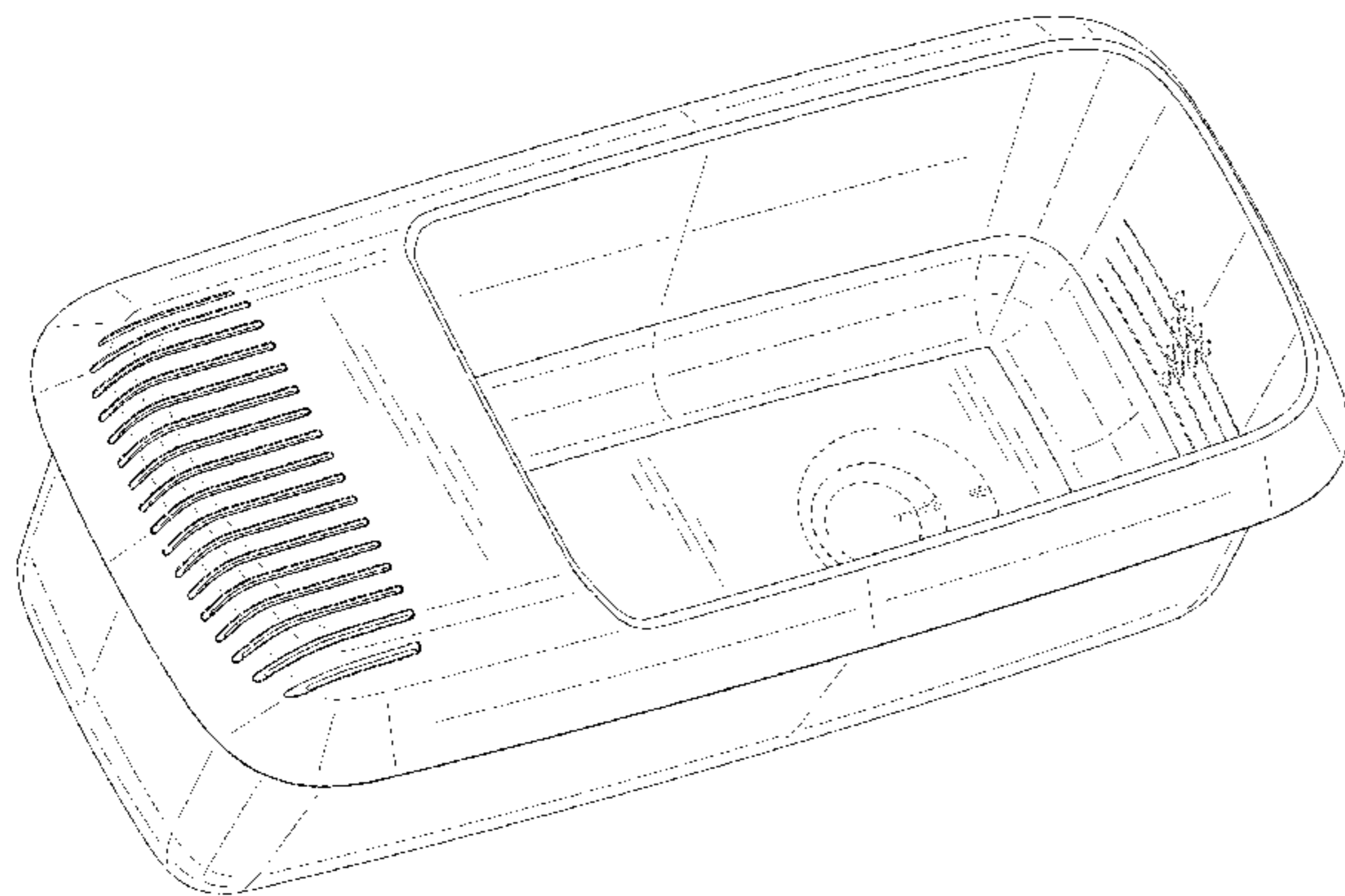
FIG. 6 is another side view thereof.

FIG. 7 is a top view thereof; and,

FIG. 8 is a bottom view thereof.

The broken lines in the drawings illustrate portions of the pasta cooker which form no part of the claimed design.

**1 Claim, 8 Drawing Sheets**



(56)

References Cited

U.S. PATENT DOCUMENTS

D361,272 S *	8/1995	Craft	D7/667
D363,856 S *	11/1995	Westbrooks, Jr.	D7/553.2
D376,296 S *	12/1996	Dunn	D7/553.5
D396,955 S *	8/1998	Iversen	D19/75
D396,956 S *	8/1998	Iversen	D19/75
5,857,583 A *	1/1999	Chantaca	A47G 19/065 206/564
D440,118 S *	4/2001	Claffy	D7/553.1
D461,406 S *	8/2002	Iacovelli	D9/432
D511,929 S *	11/2005	Coppi	D7/359
D553,817 S *	10/2007	Moon	D32/53.1
D563,727 S *	3/2008	Lovett	D7/553.3
D568,687 S *	5/2008	Lovett	D7/553.3
D569,169 S *	5/2008	Munson	D7/354
D573,409 S *	7/2008	Lovett	D7/553.3
D605,896 S *	12/2009	Zalewski	D7/553.1
D651,047 S *	12/2011	Johnson	D7/553.1
D652,695 S *	1/2012	Lee	D7/698
D671,802 S *	12/2012	Lee	D7/667
D672,395 S *	12/2012	Chuang	D19/77
D675,476 S *	2/2013	De' Longhi	D7/354
D680,379 S *	4/2013	Lackey	D7/553.2
D680,801 S *	4/2013	Seymour	D7/354
D680,802 S *	4/2013	Seymour	D7/354
D682,682 S *	5/2013	Biery	D9/432
D695,113 S *	12/2013	Biery	D9/432
D700,803 S *	3/2014	Hamlin	D7/409
D707,077 S *	6/2014	Sarnoff	D7/354
D711,183 S *	8/2014	Bernheim	D7/354
D711,196 S *	8/2014	May	D7/637
D729,588 S *	5/2015	Breton	D7/553.2
D731,847 S *	6/2015	Arregui Letamendi	D7/354
D761,614 S *	7/2016	Zemel	D7/354
D766,664 S *	9/2016	Wilson	D7/553.2
D770,856 S *	11/2016	Li	D7/553.2
2003/0006156 A1 *	1/2003	McCracken	B44C 7/02 206/373
2011/0226661 A1 *	9/2011	Boubeddi	F24C 15/16 206/561

\* cited by examiner

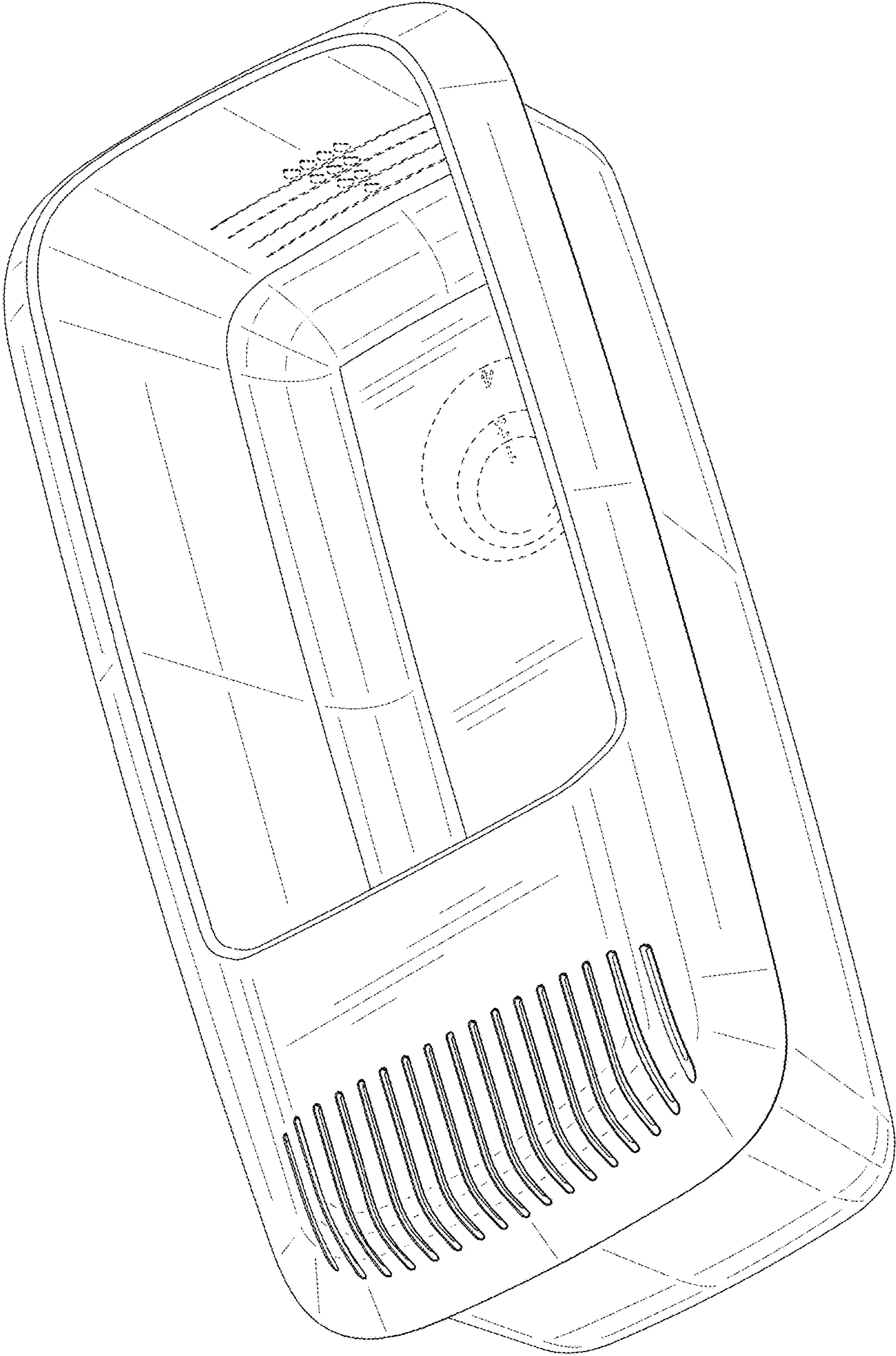


FIG. 1

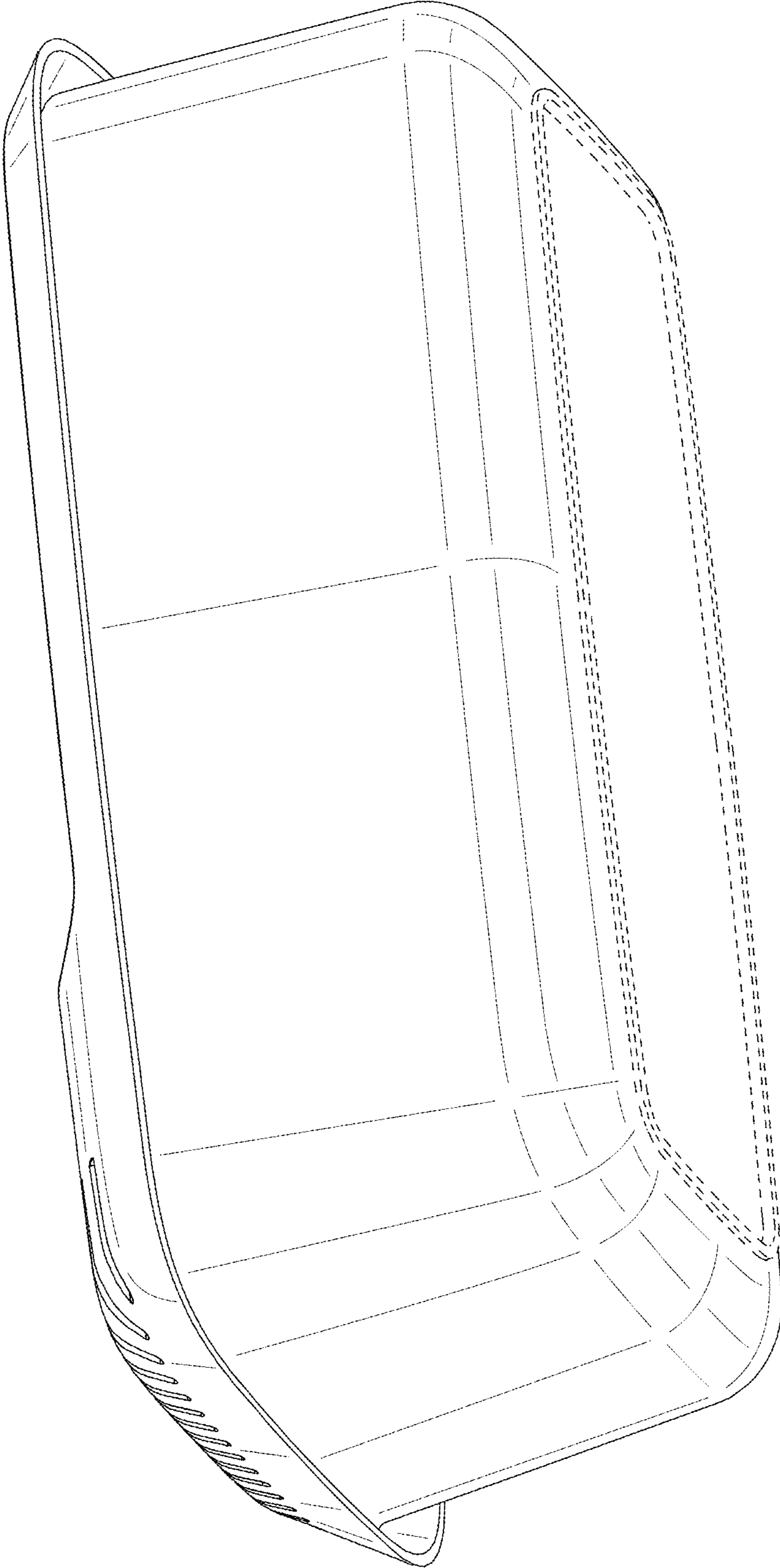


FIG. 2

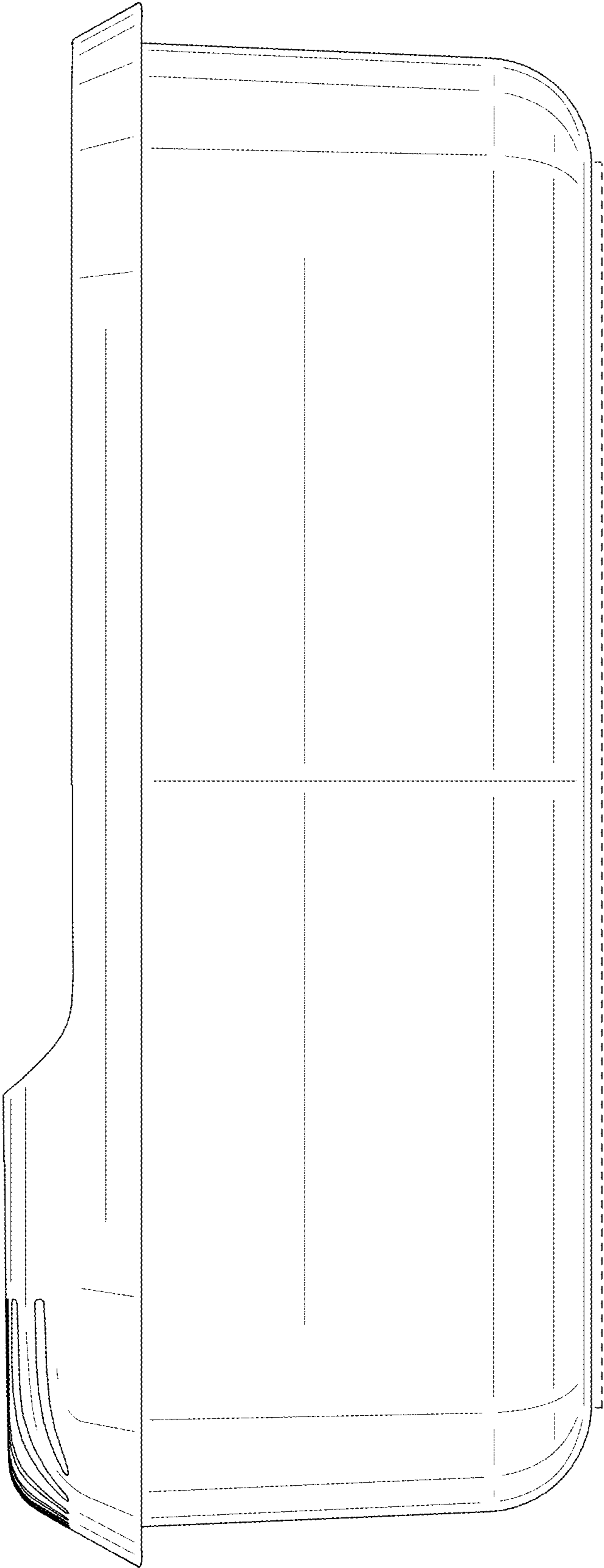


FIG. 3

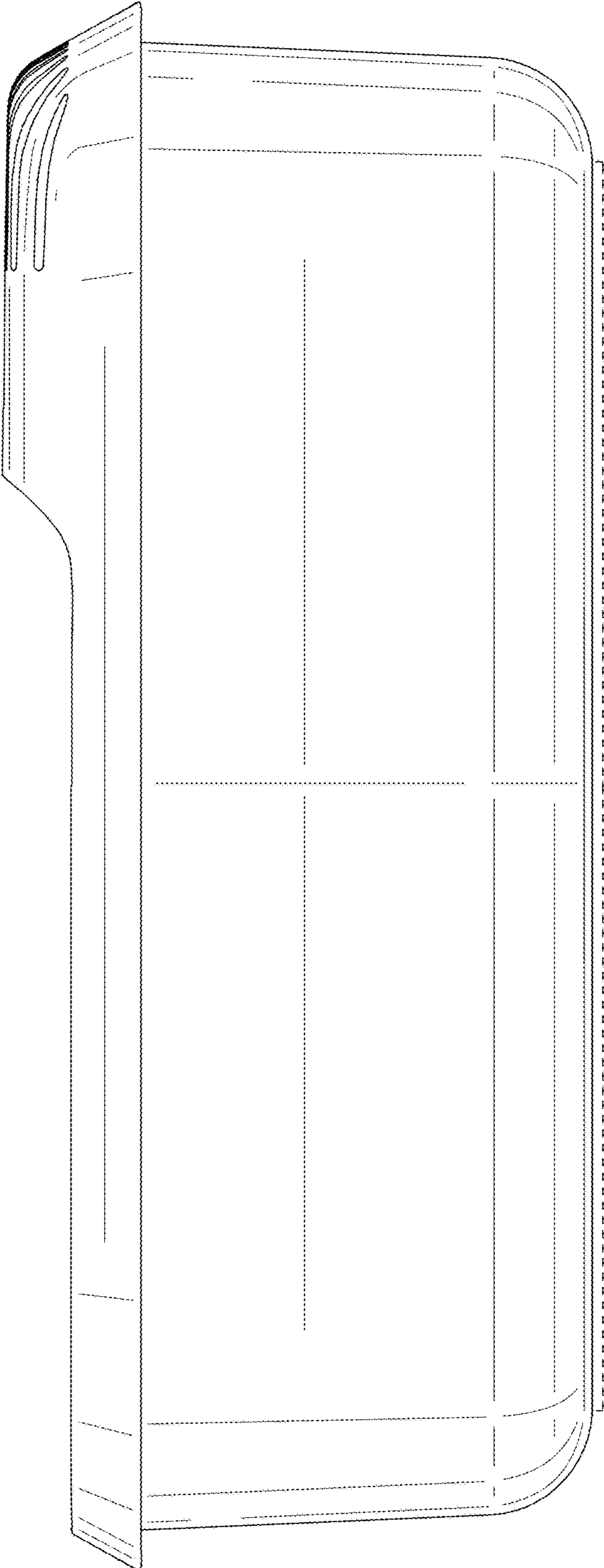


FIG. 4

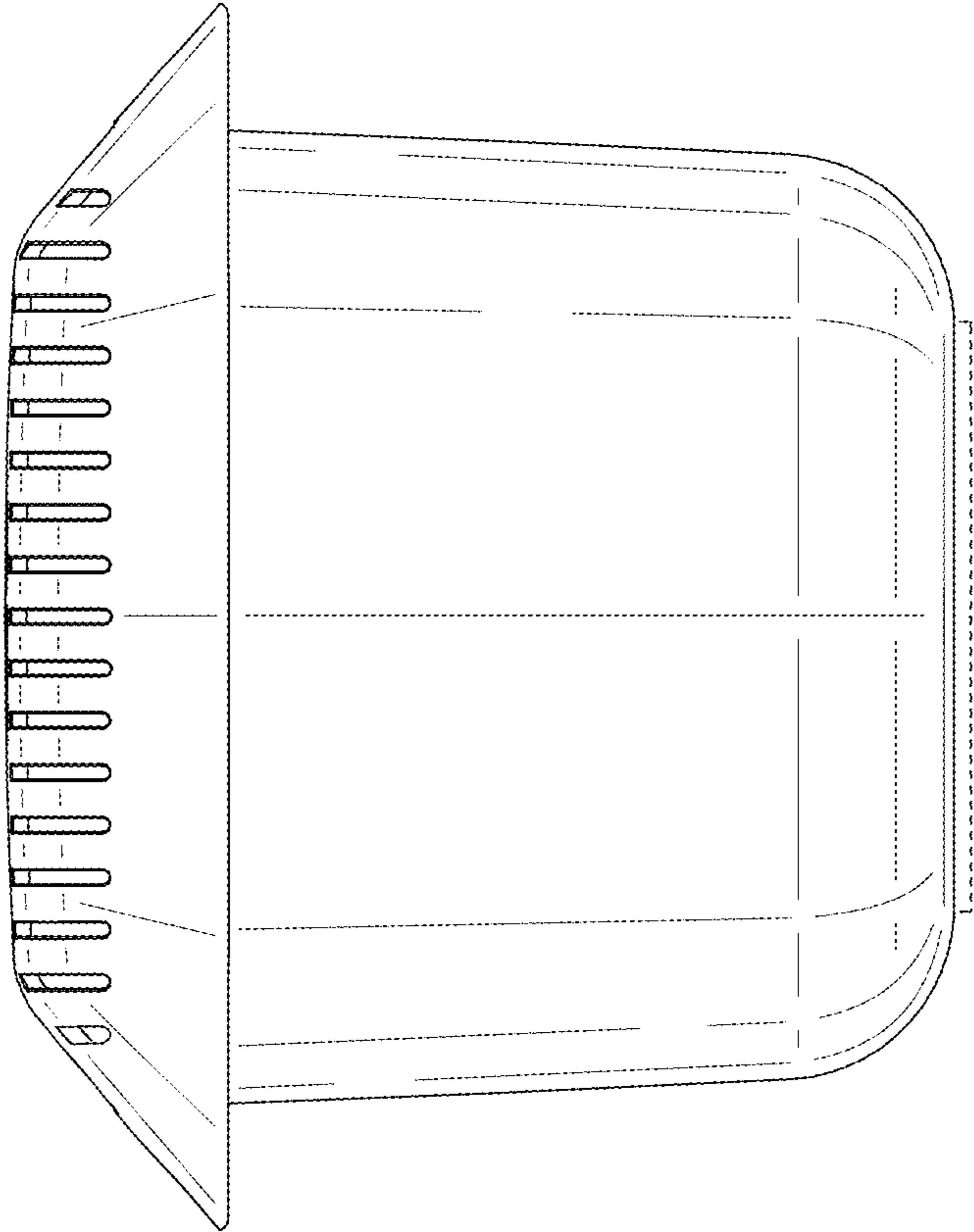


FIG. 5

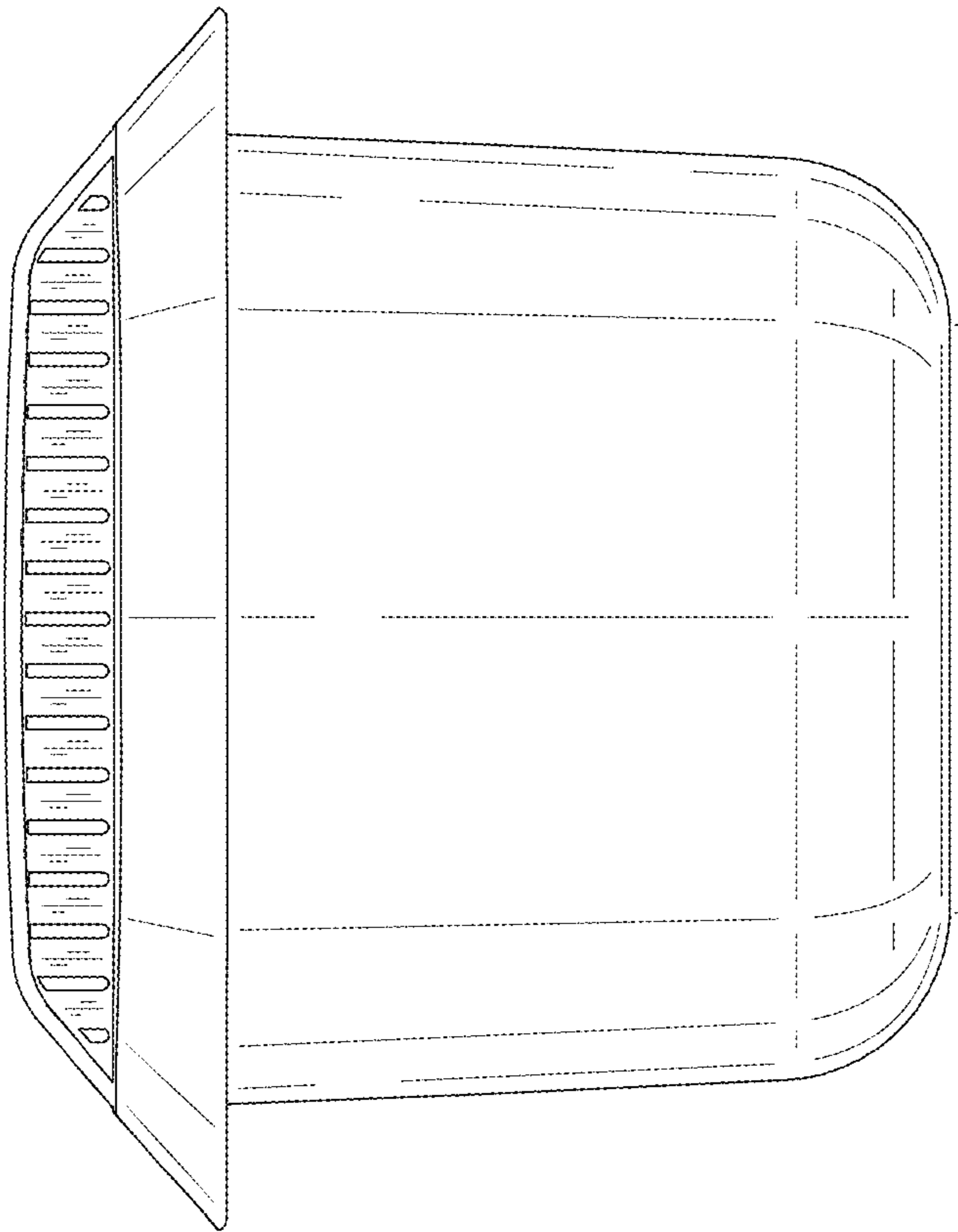


FIG. 6



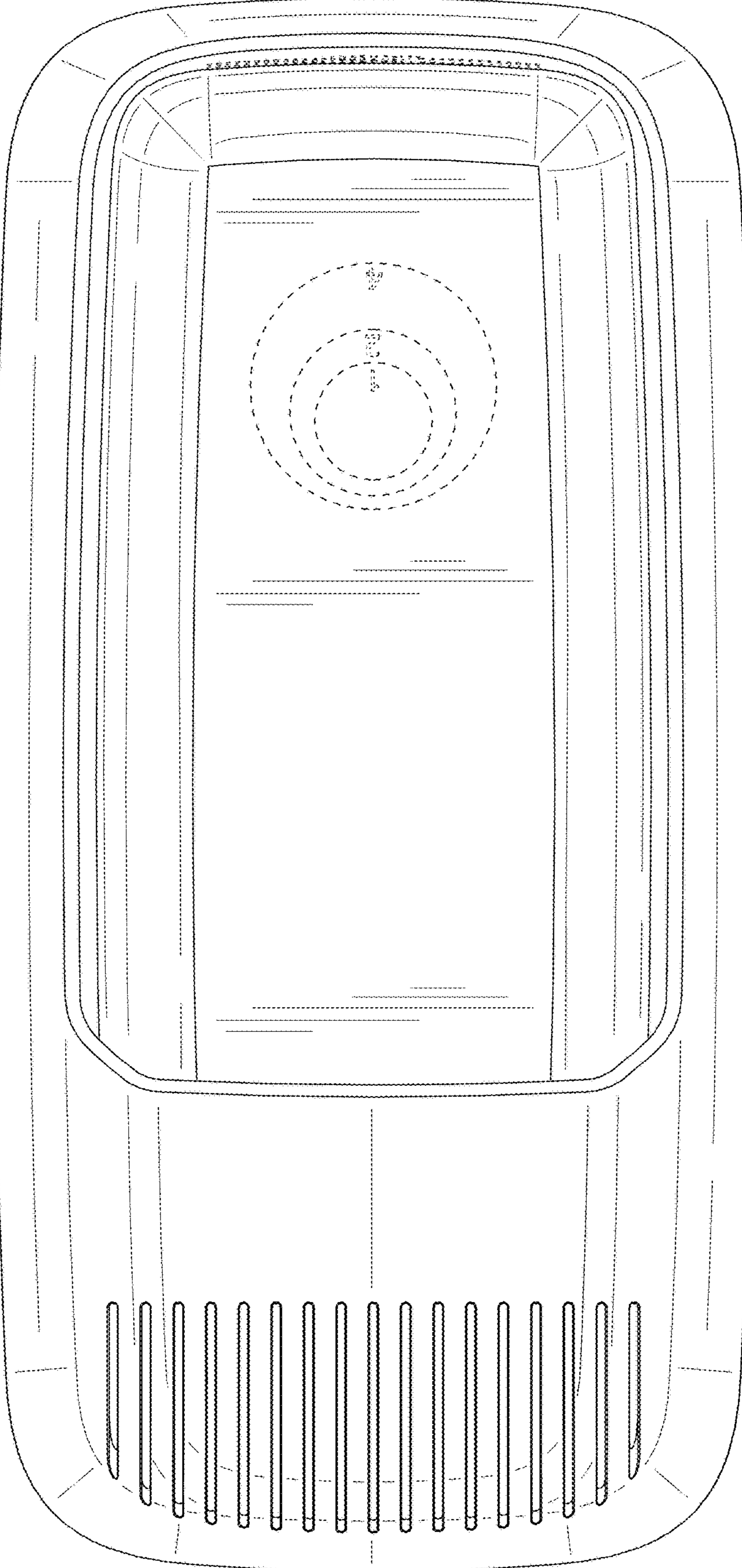


FIG. 7

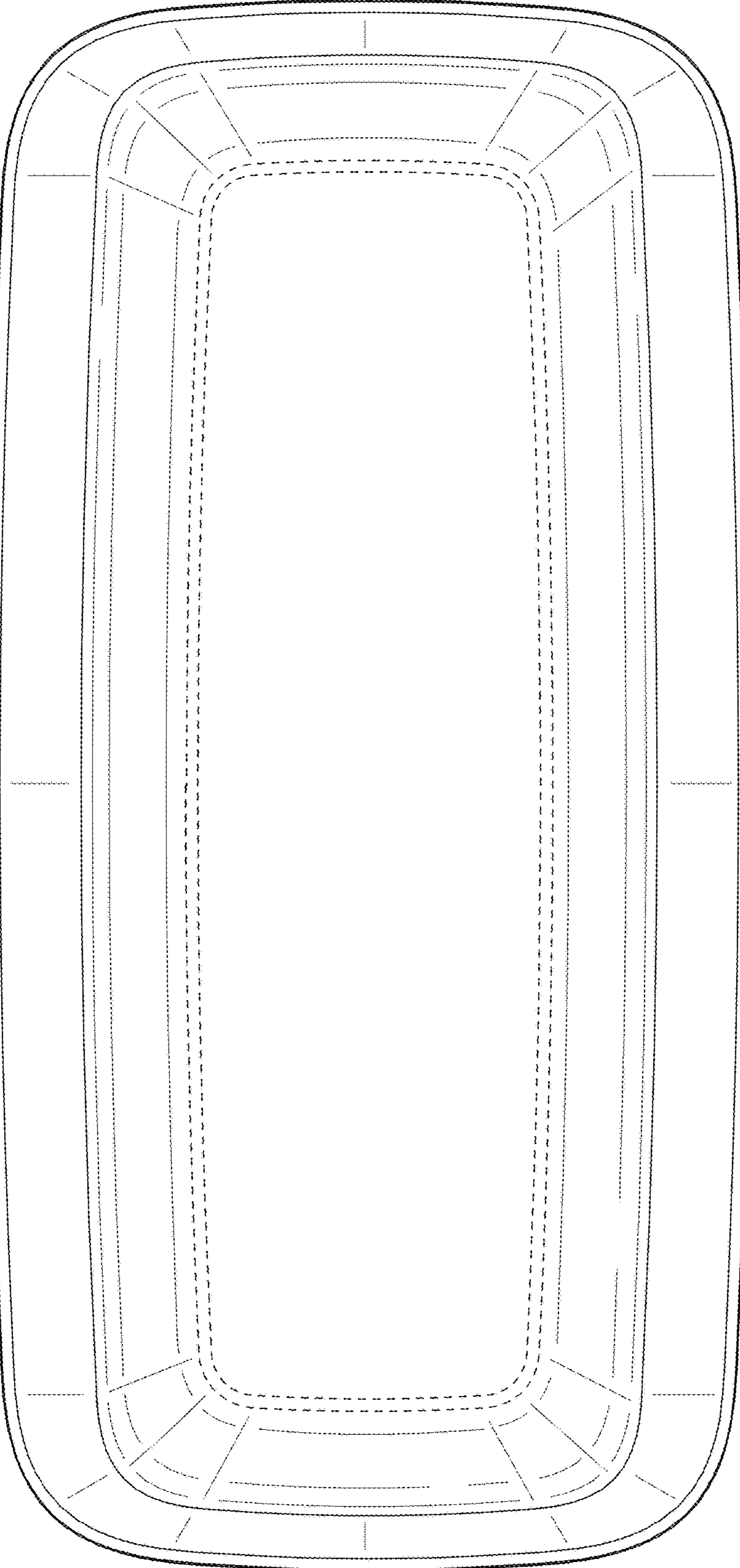


FIG. 8