



US00D793148S

(12) **United States Design Patent** (10) **Patent No.:** **US D793,148 S**
Beckman et al. (45) **Date of Patent:** **** Aug. 1, 2017**

- (54) **HANDLED CONTAINER**
- (71) Applicant: **TARGET BRANDS, INC.**,
Minneapolis, MN (US)
- (72) Inventors: **Jennifer Beckman**, Brooklyn Park, MN
(US); **Crystal Lau**, Minnetonka, MN
(US)
- (73) Assignee: **Target Brands, Inc.**, Minneapolis, MN
(US)
- (**) Term: **15 Years**
- (21) Appl. No.: **29/547,462**
- (22) Filed: **Dec. 3, 2015**
- (51) **LOC (10) Cl.** **07-01**
- (52) **U.S. Cl.**
USPC **D7/319; D7/397**
- (58) **Field of Classification Search**
USPC D7/316, 317, 318, 319, 303, 302, 397,
D7/600; D10/46.2
CPC B65D 23/06; B67D 1/16
See application file for complete search history.

- D140,656 S * 3/1945 Erbe D7/319
- D140,657 S * 3/1945 Erbe D7/319
- D144,618 S 5/1946 Glassman
- D164,933 S * 10/1951 Killenbrew D7/315
- D171,118 S 12/1953 Basore
- 2,793,790 A * 5/1957 Kahler B65D 23/06
222/109
- D188,958 S 10/1960 Damiani
(Continued)

OTHER PUBLICATIONS

“South Beach Antiques,” printed from <http://www.angelfire.com/art/antiquepottery/slovakia.html>, publicly available at least as early as Feb. 13, 2002, per <http://web.archive.org> (16 pages).
(Continued)

Primary Examiner — Marianne Pandozzi
(74) *Attorney, Agent, or Firm* — JoAnn M. Seaton;
Griffiths & Seaton PLLC

(57) **CLAIM**

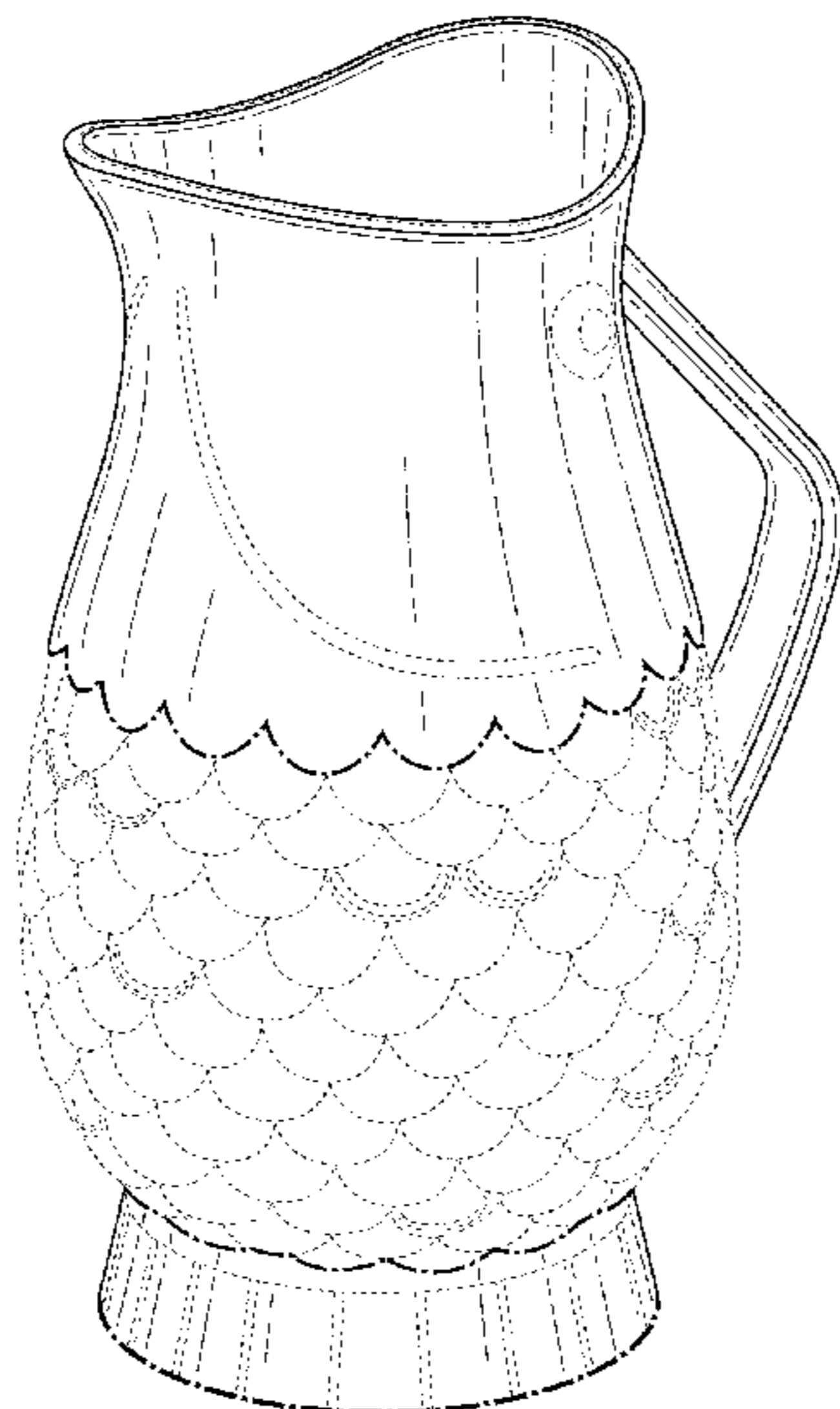
The ornamental design for a handled container, as shown and described.

DESCRIPTION

FIG. 1 is a front perspective view of a handled container showing our new design;
FIG. 2 is a front view thereof;
FIG. 3 is a rear view thereof;
FIG. 4 is a right side view thereof;
FIG. 5 is a left side view thereof;
FIG. 6 is a top view thereof; and,
FIG. 7 is a bottom view thereof.
The features shown in broken lines are portions of the handled container forming no part of the claimed design. The features shown in long dash-short dash bolded broken lines indicate the bounds of the claimed design and otherwise form no part of the claimed design.

1 Claim, 7 Drawing Sheets

- (56) **References Cited**
U.S. PATENT DOCUMENTS
- D2,522 S 12/1866 Ware
- D28,180 S * 1/1898 Heisey D7/319
- 866,807 A * 9/1907 Pitts B67D 1/16
222/108
- D42,665 S * 6/1912 Heisey D7/319
- D61,947 S * 2/1923 Carder D7/303
- D72,498 S * 4/1927 Scavullo D7/319
- D76,409 S 9/1928 McEldowney
- D78,448 S 5/1929 Coster
- 1,724,689 A * 8/1929 Wilson B65D 23/06
222/108
- D92,668 S * 7/1934 McArdle D7/317
- D93,243 S 9/1934 Scott
- D932,243 * 9/1934 Scott D7/516



(56)

References Cited

U.S. PATENT DOCUMENTS

D243,463 S	2/1977	Benes et al.	
D259,334 S	5/1981	Sztuden	
D286,254 S *	10/1986	Zimmerman	D7/317
D299,105 S *	12/1988	Sun	D7/317
D333,587 S	3/1993	Ancona et al.	
D337,486 S *	7/1993	Maggiore	D21/599
D343,329 S *	1/1994	Ancona	D7/301
D390,334 S *	2/1998	Patterson	D19/82
D483,599 S *	12/2003	Huang	D7/317
D483,993 S *	12/2003	Boyle	D7/316
D498,968 S *	11/2004	Huang	D7/302
D498,970 S *	11/2004	Huang	D7/316
D520,407 S	5/2006	Zhang	
D526,904 S	8/2006	Hillock	
D665,617 S *	8/2012	Liu	D7/317
D695,071 S	12/2013	Franco	
D707,487 S *	6/2014	Weernink	D7/317
8,992,781 B2 *	3/2015	Daniely	B01D 61/18 210/192
D752,376 S *	3/2016	Melzer	D7/317

OTHER PUBLICATIONS

“Whale Pitcher,” printed from <http://www.allmodern.com/Jonathan-Adler-Whale-Pitcher-4469-XJA1013.html>, publicly available at least as early as Jan. 24, 2013, per <http://web.archive.org> (5 pages).

“Gurgle Pot,” printed from <http://www.attemptsatdomestication.com/oh-the-gifts-gifts-gifts-gifts/gurgle-pot/>, publicly available at least as early as Dec. 29, 2012 (2 pages).

“12oz Gurgle Pots Creamer/Vase,” printed from <http://www.ebay.com/itm/12oz-Gurgle-Pots-Creamer-Vase-/171066336244>, publicly available at least as early as Nov. 8, 2014, per <http://web.archive.org> (3 pages).

“Pottery Fish Pitcher/Vase, Age?, Maker?,” printed from <https://www.antiquers.com/threads/pottery-fish-pitcher-vase-age-maker.3659/>, publicly available at least as early as Apr. 11, 2015 (4 pages).

“Gray Ceramic Fish Shaped Vase 8 In.,” printed from <http://www.amazon.com/Gray-Ceramic-Fish-Shaped-Vase/dp/B00GLSOFII>, publicly available at least as early as Sep. 23, 2015 (3 pages).

“Arthur Court Designs 1977 Fish Pitcher,” printed from <http://www.ebay.com/itm/ARTHUR-COURT-DESIGNS-1977-FISH-PITCHER-/141780409476?hash=item2102c55c84>, vintage circa 1977 (3 pages).

“Arthur Court Salmon Pitcher ACD104022,” printed from <http://www.ebay.com/itm/Arthur-Court-Salmon-Pitcher-ACD104022-/251968315119?hash=item3aaa7b5eef>, publicly available at least as early as Aug. 24, 2015 (4 pages).

“Danish Modern Fish Vase,” printed from <http://www.danishteachclassics.com/products/danish-modern-fish-dish/>, publicly available at least as early as Sep. 23, 2015 (1 page).

“Vintage Fish Embossed White 68oz Pitcher,” printed from <http://www.homeessentials.com/modules/inventory/details.php?id=66627>, publicly available at least as early as Sep. 23, 2015 (2 pages).

“Howard Elliott Sea Blue Glaze with Rustic Accents Ceramic Fish Vase,” printed from <http://www.houzz.com/photos/8806446/Howard-Elliott-Sea-Blue-Glaze-with-Rustic-Accents-Ceramic-Fish-Vase-beach-style-vases>, publicly available at least as early as Sep. 23, 2015 (1 page).

“Vintage Fish Vase/Planter With Handle—Made in Japan,” printed from <https://www.etsy.com/listing/197468601/vintage-fish-vase-planter-with-handle>, publicly available at least as early as Nov. 25, 2014 (3 pages).

“Ceramic Pouring Vase—Oyster,” printed from http://www.houzz.com/promo/13237261?m_refid=PLA_HZ_13237261&device=c&nw=g&gclid=CPKYntiytMgCFZKBaQodl-sFHQ, publicly available at least as early as Oct. 8, 2015 (3 pages).

“Ceramic Pouring Vase—Oyster,” printed from http://www.houzz.com/promo/13237261?m_refid=PLA_HZ_13237261&device=c&nw=g&gclid=CPKYntiytMgCFZKBaQodl-sFHQ, publicly available at least as early as Oct. 8, 2015 (3 pages).

* cited by examiner

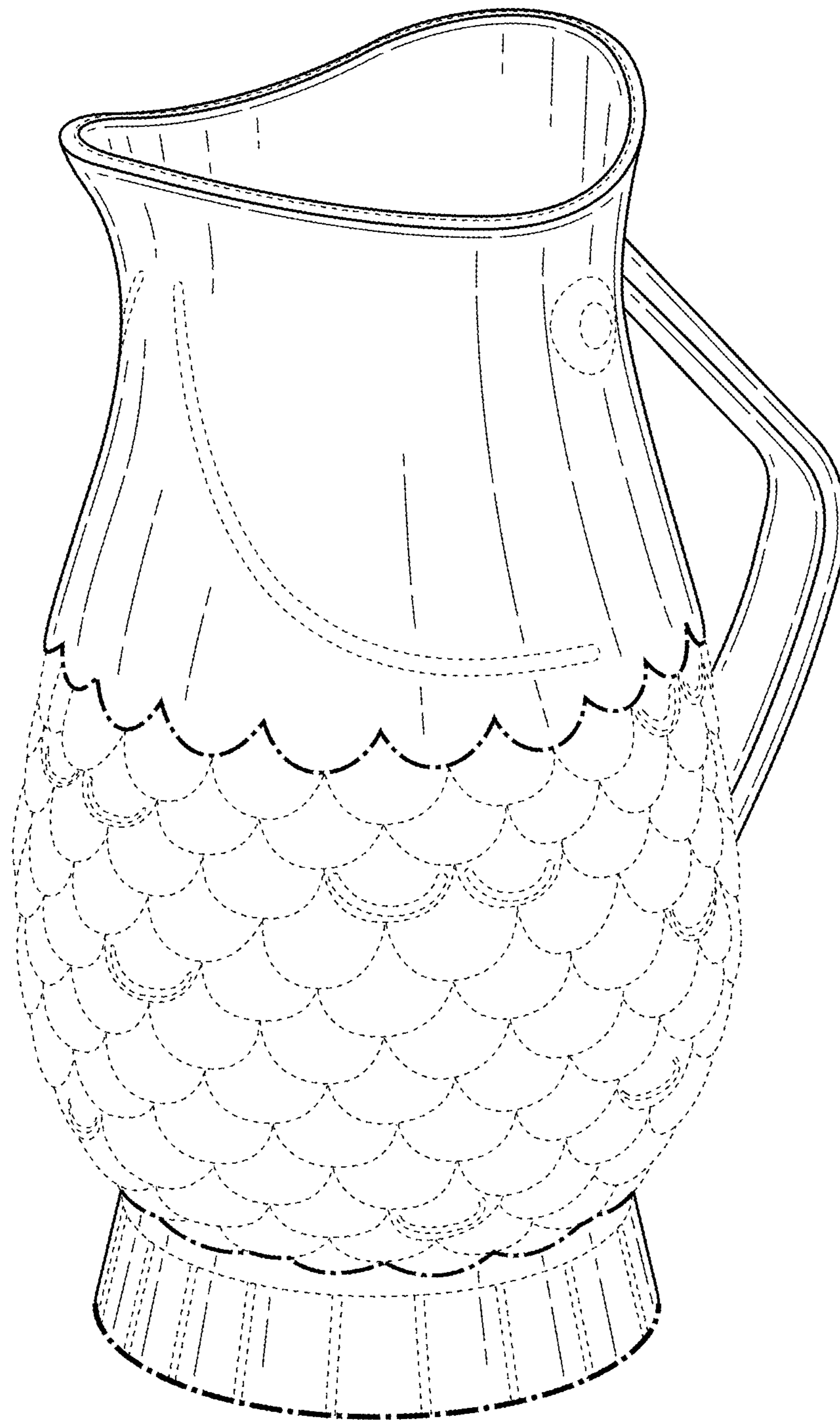


FIG. 1

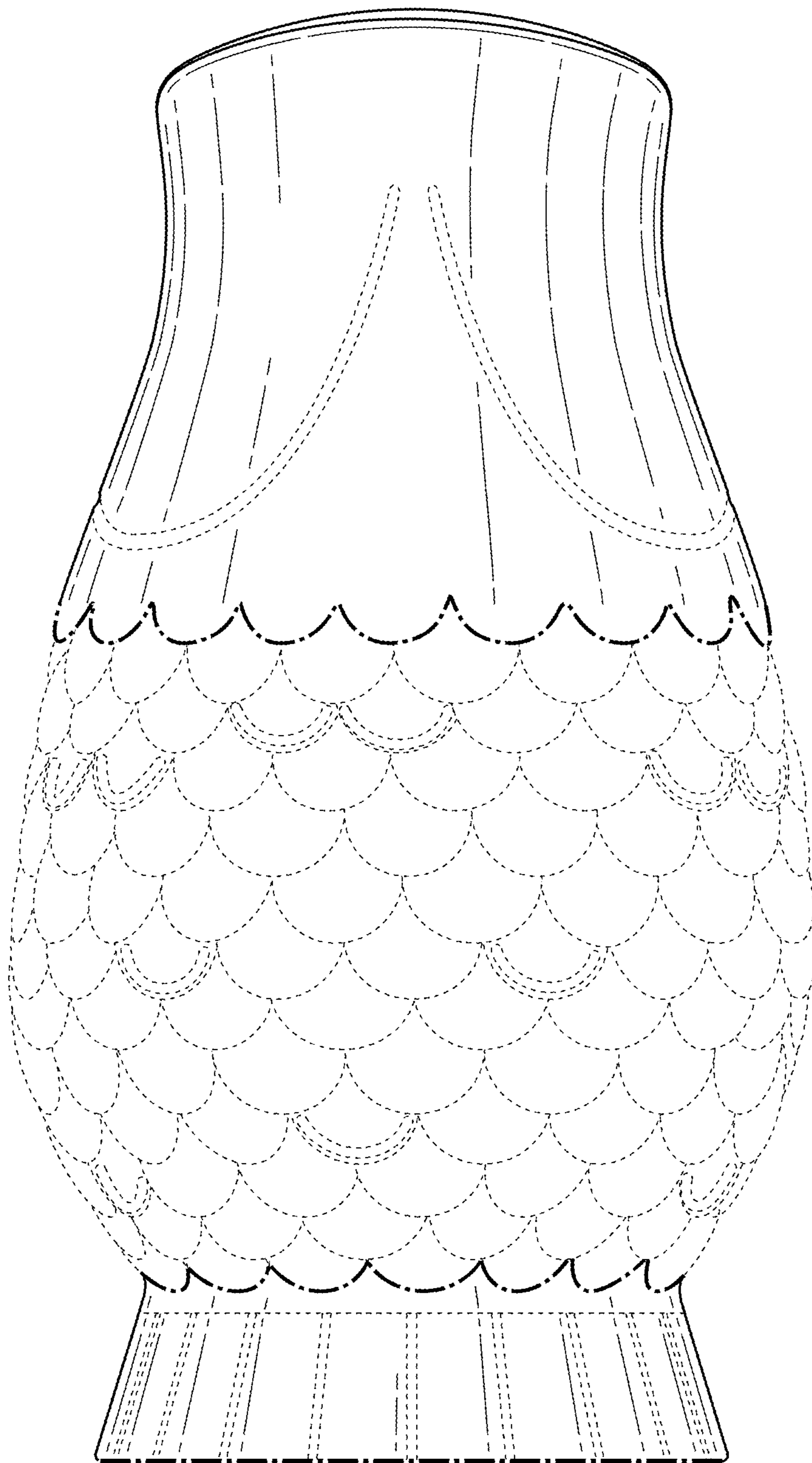


FIG. 2

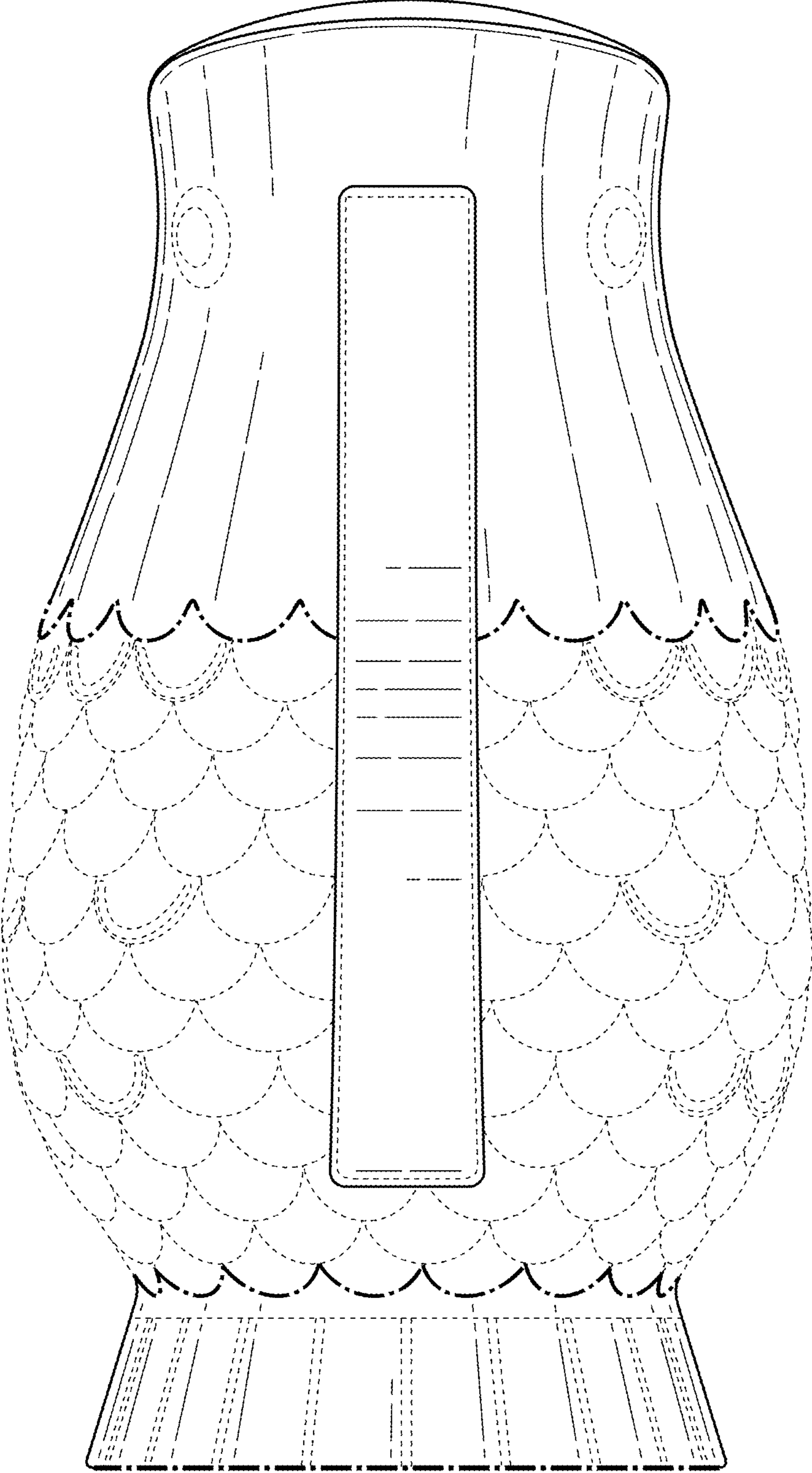


FIG. 3

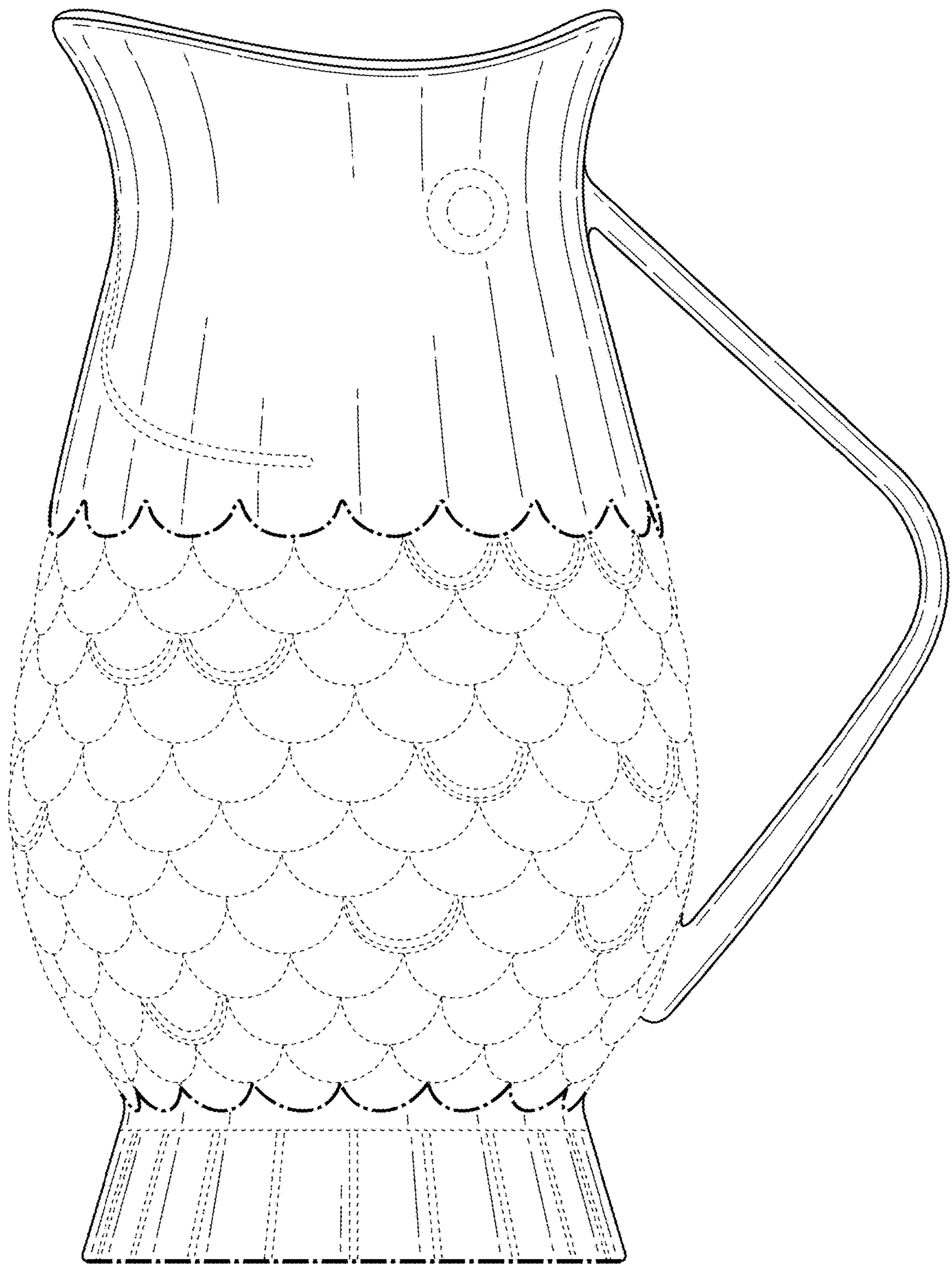


FIG. 4

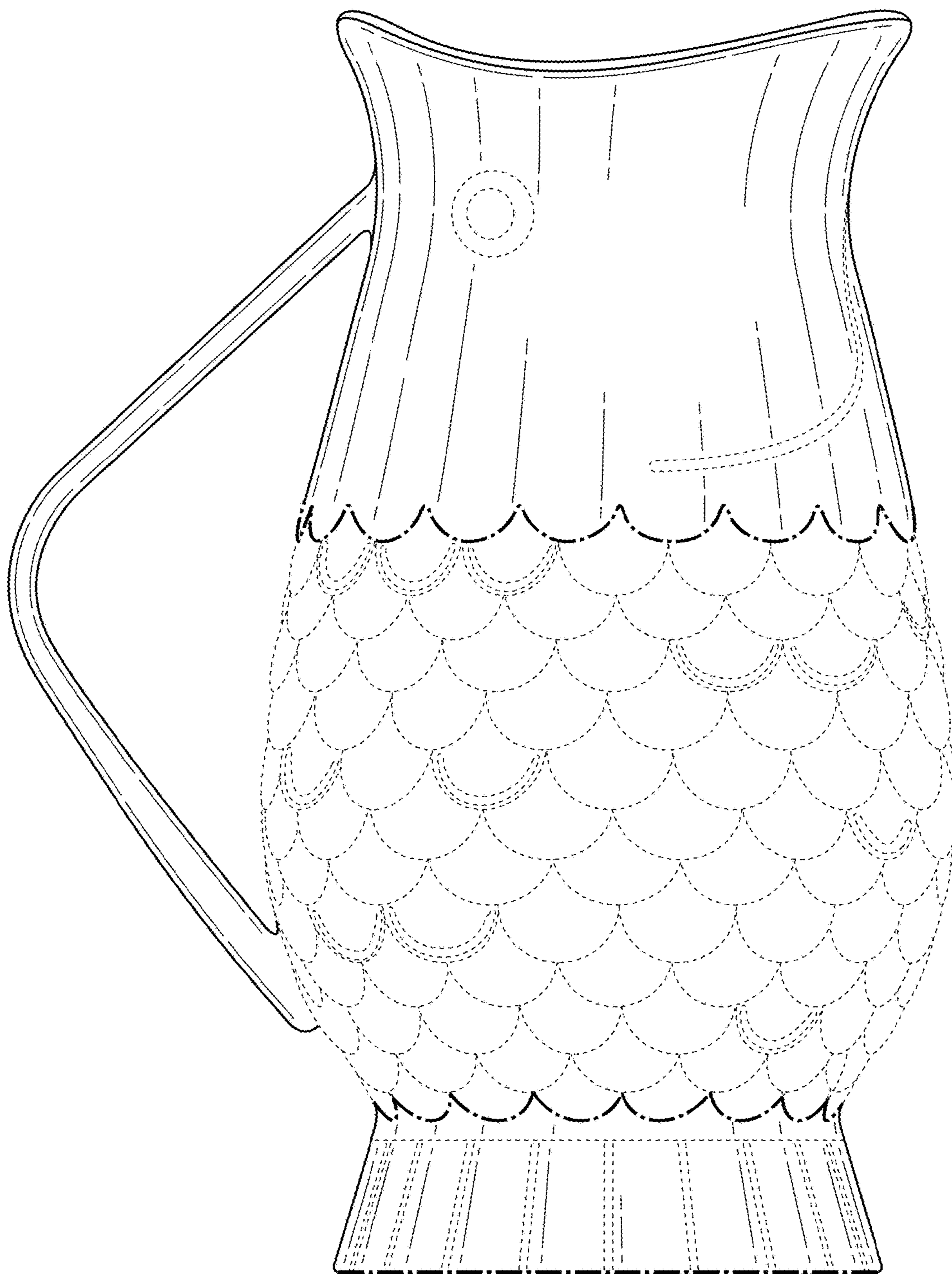


FIG. 5

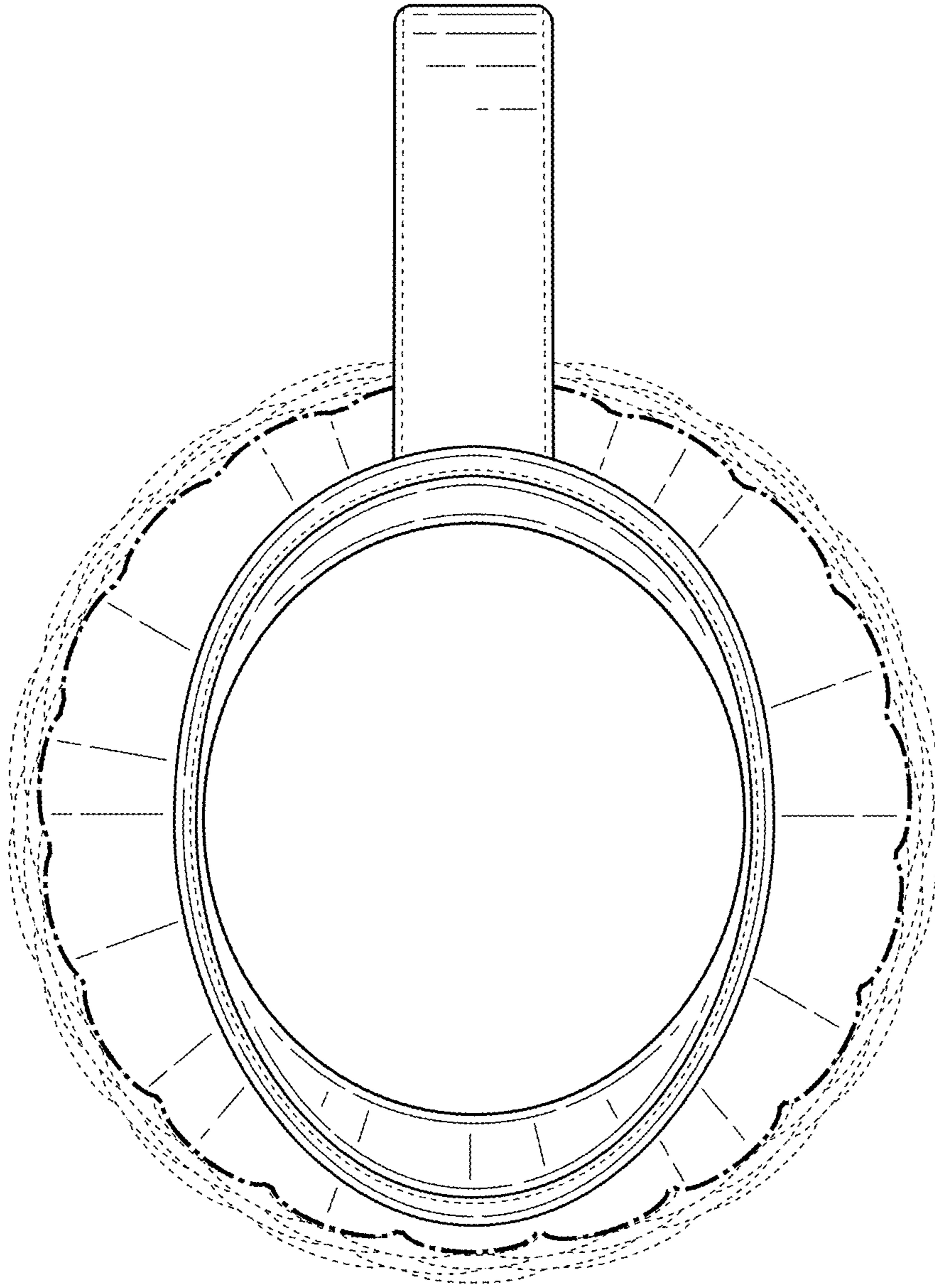


FIG. 6

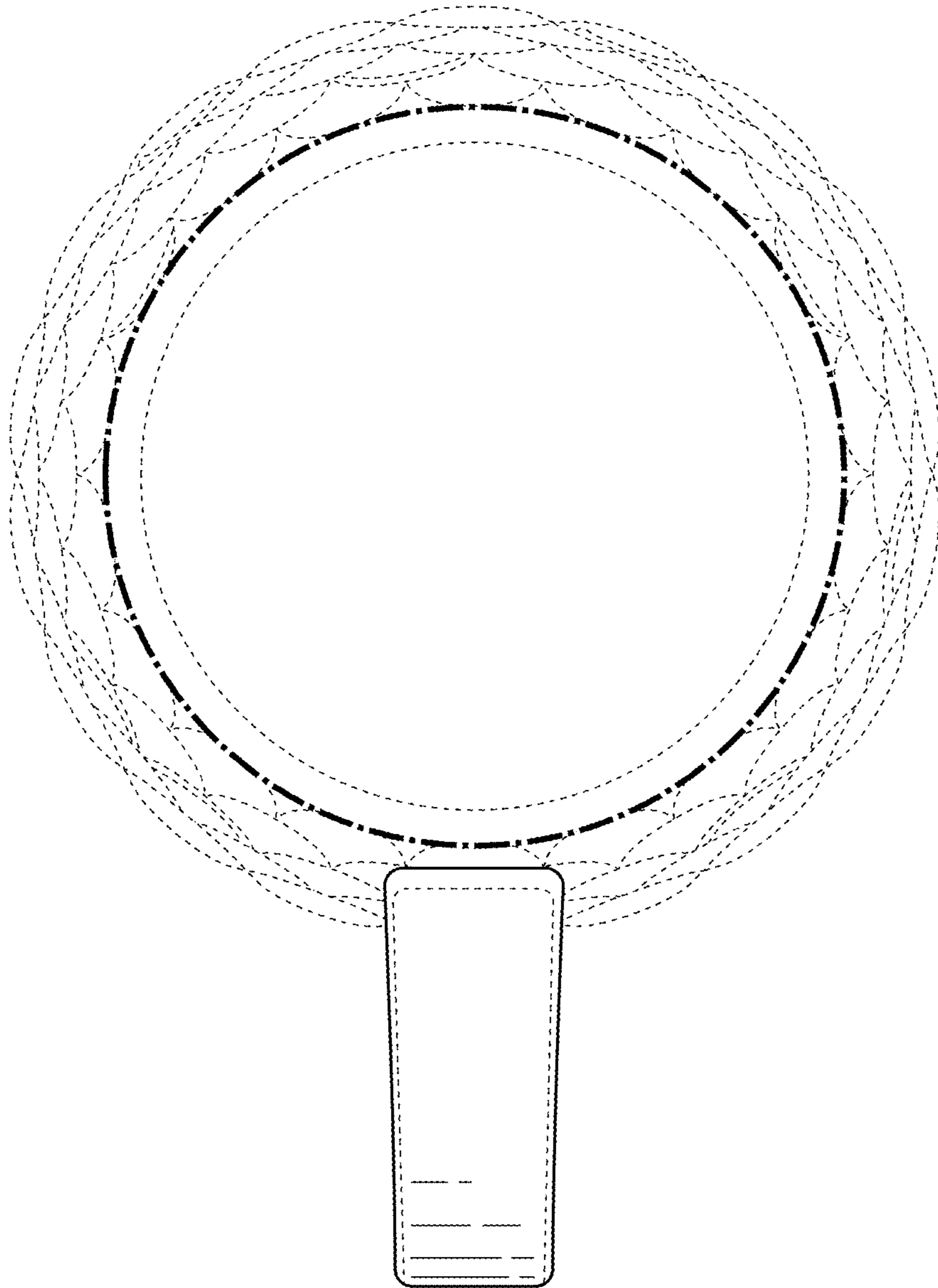


FIG. 7