



US00D793146S

(12) **United States Design Patent** (10) **Patent No.:** **US D793,146 S**
Palermo et al. (45) **Date of Patent:** **** Aug. 1, 2017**

- (54) **HOT BEVERAGE MAKER**
- (71) Applicant: **Sunbeam Products, Inc.**, Boca Raton, FL (US)
- (72) Inventors: **Joseph Palermo**, Boynton Beach, FL (US); **Steven C. Cozzolino**, New York, FL (US); **Cody Stonerock**, Brooklyn, NY (US); **Peter Kristiansen**, Mendham, NJ (US)
- (73) Assignee: **Sunbeam Products, Inc.**, Boca Raton, FL (US)
- (**) Term: **15 Years**
- (21) Appl. No.: **29/569,008**
- (22) Filed: **Jun. 23, 2016**
- (51) **LOC (10) Cl.** **07-01**
- (52) **U.S. Cl.**
 USPC **D7/309**; D7/311; D7/306
- (58) **Field of Classification Search**
 USPC D7/305-311, 313; D15/82; 222/129.1, 222/146.6; 99/295
 CPC A47J 31/44; A47J 31/4403; A47J 31/46; A47J 31/4482; A47J 31/369; A47J 31/407; B67D 1/36; B67D 2210/0065; B67D 1/0864
 See application file for complete search history.

- (56) **References Cited**
 U.S. PATENT DOCUMENTS
- | | | | | |
|---------------|--------|-----------|-------|------------|
| D274,028 S * | 5/1984 | Jeans | | D7/308 |
| D299,999 S * | 2/1989 | Pandolfi | | D7/309 |
| 4,951,556 A * | 8/1990 | Ng | | A47J 31/56 |
| | | | | 219/506 |
| D354,193 S * | 1/1995 | Storsberg | | D7/309 |

- | | | | | |
|----------------|---------|------------|-------|------------|
| D408,206 S * | 4/1999 | Stafford | | D7/306 |
| D411,403 S * | 6/1999 | Gudefin | | D7/309 |
| D489,217 S * | 5/2004 | Seum | | D7/309 |
| D501,623 S * | 2/2005 | Lin | | D7/309 |
| D541,097 S * | 4/2007 | Leverrier | | D7/300 |
| D543,771 S * | 6/2007 | Julemont | | D7/309 |
| D544,286 S * | 6/2007 | Cahen | | D7/306 |
| D545,110 S * | 6/2007 | Julemont | | D7/309 |
| D553,416 S * | 10/2007 | Lin | | D7/306 |
| D575,571 S * | 8/2008 | Hammad | | D7/300 |
| D604,551 S * | 11/2009 | Roncali | | D7/306 |
| D604,552 S * | 11/2009 | Roncali | | D7/306 |
| D615,339 S * | 5/2010 | Bronwasser | | D7/306 |
| D628,007 S * | 11/2010 | Di Bitonto | | D7/309 |
| D675,471 S * | 2/2013 | Averty | | D7/309 |
| D675,859 S * | 2/2013 | De Pra | | D7/309 |
| D726,483 S * | 4/2015 | Lin | | D7/309 |
| 9,032,866 B2 * | 5/2015 | White | | A47J 31/04 |
| | | | | 99/280 |
| D738,663 S * | 9/2015 | De'Longhi | | D7/306 |
| D758,120 S * | 6/2016 | Garman | | D7/306 |

* cited by examiner

Primary Examiner — Marianne Pandozzi

(74) *Attorney, Agent, or Firm* — Michael J. Corrigan

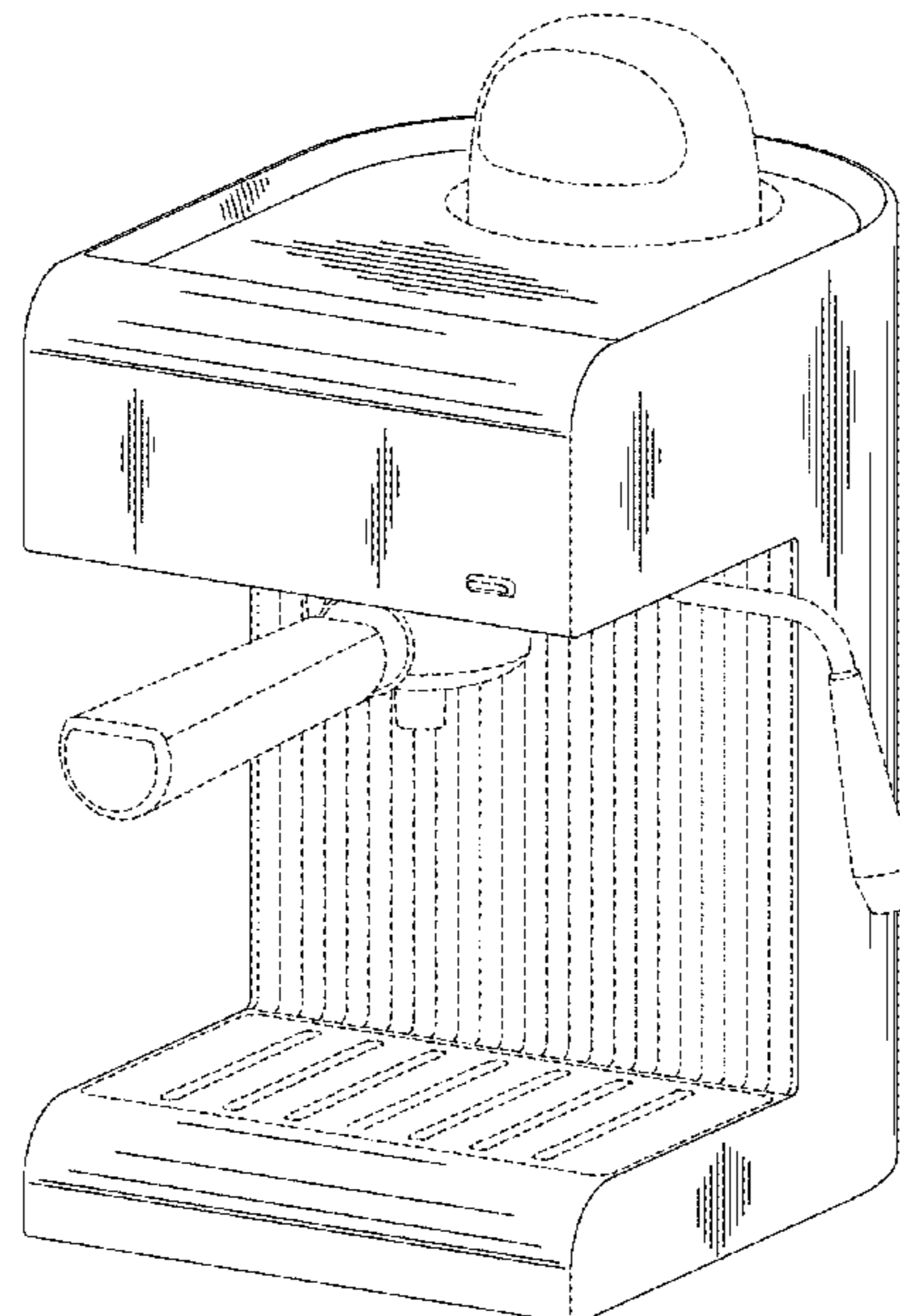
(57) **CLAIM**

The ornamental design for the hot beverage maker, as shown and described.

DESCRIPTION

FIG. 1 is a front perspective view of the hot beverage maker; FIG. 2 is a front view thereof; FIG. 3 is a rear view thereof; FIG. 4 is a left side view thereof; FIG. 5 is a right side view thereof; and, FIG. 6 is a top view thereof. The broken lines in the drawings depict portions of the hot beverage maker that form no part of the claimed design.

1 Claim, 6 Drawing Sheets



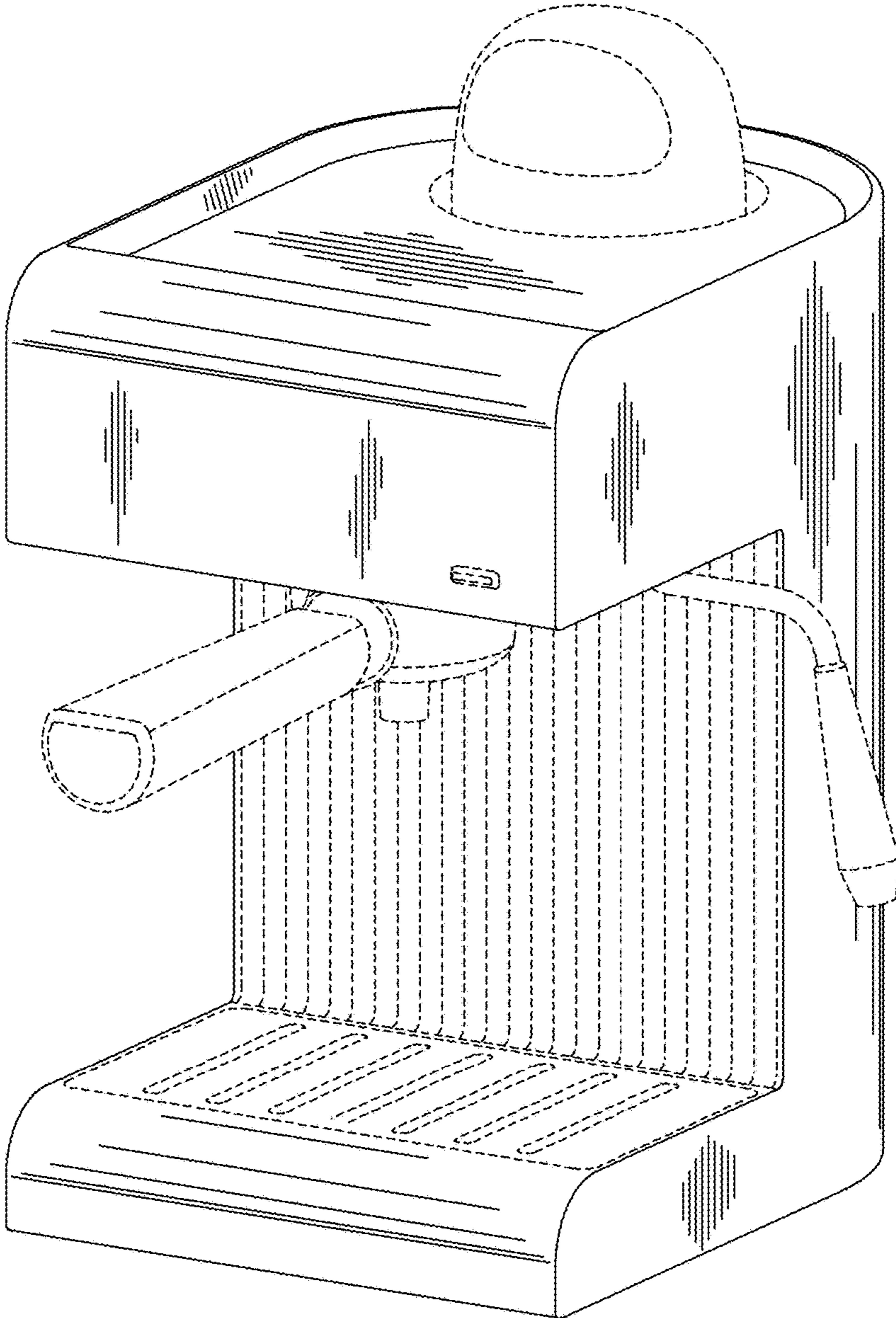


FIG 1

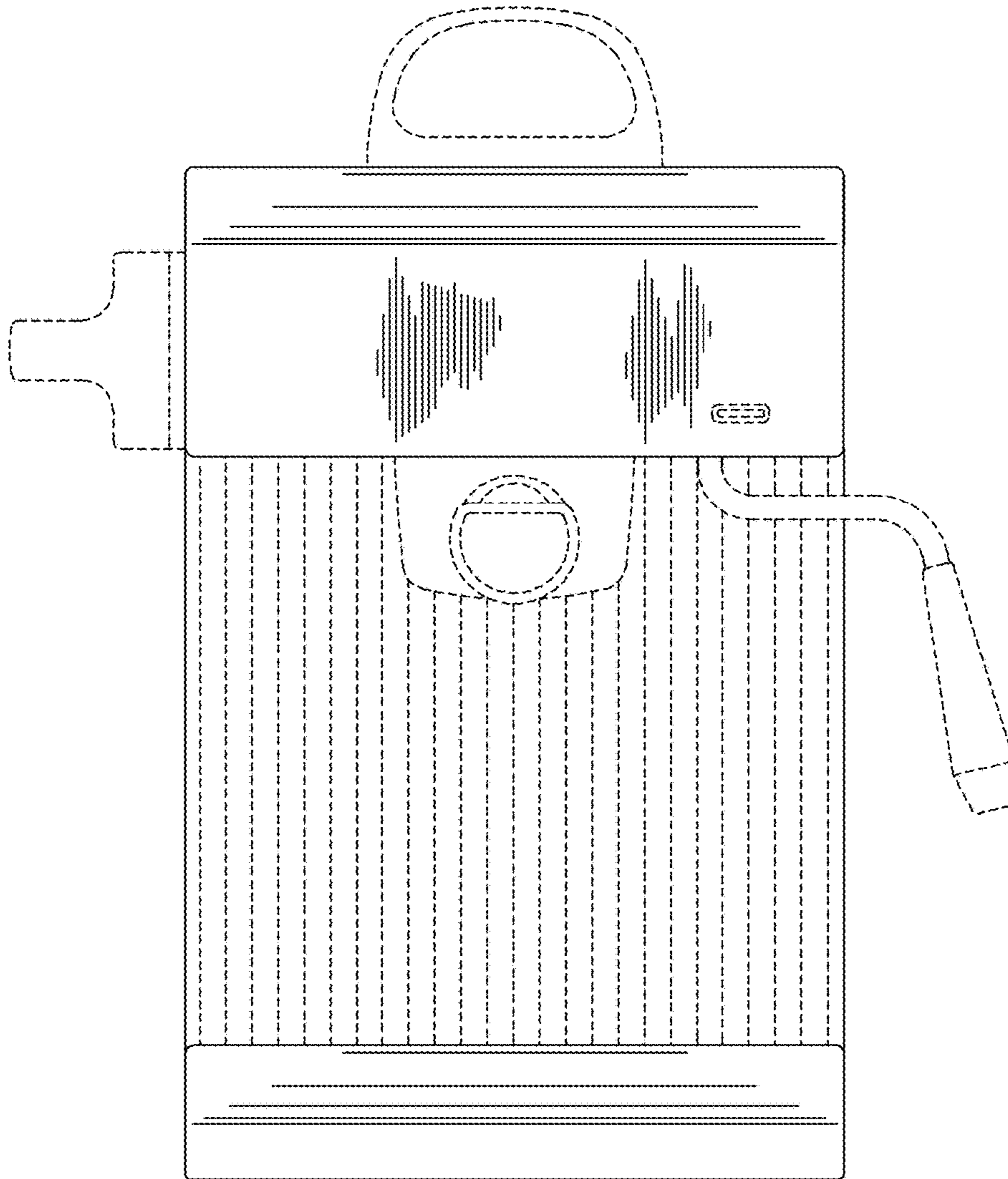


FIG 2

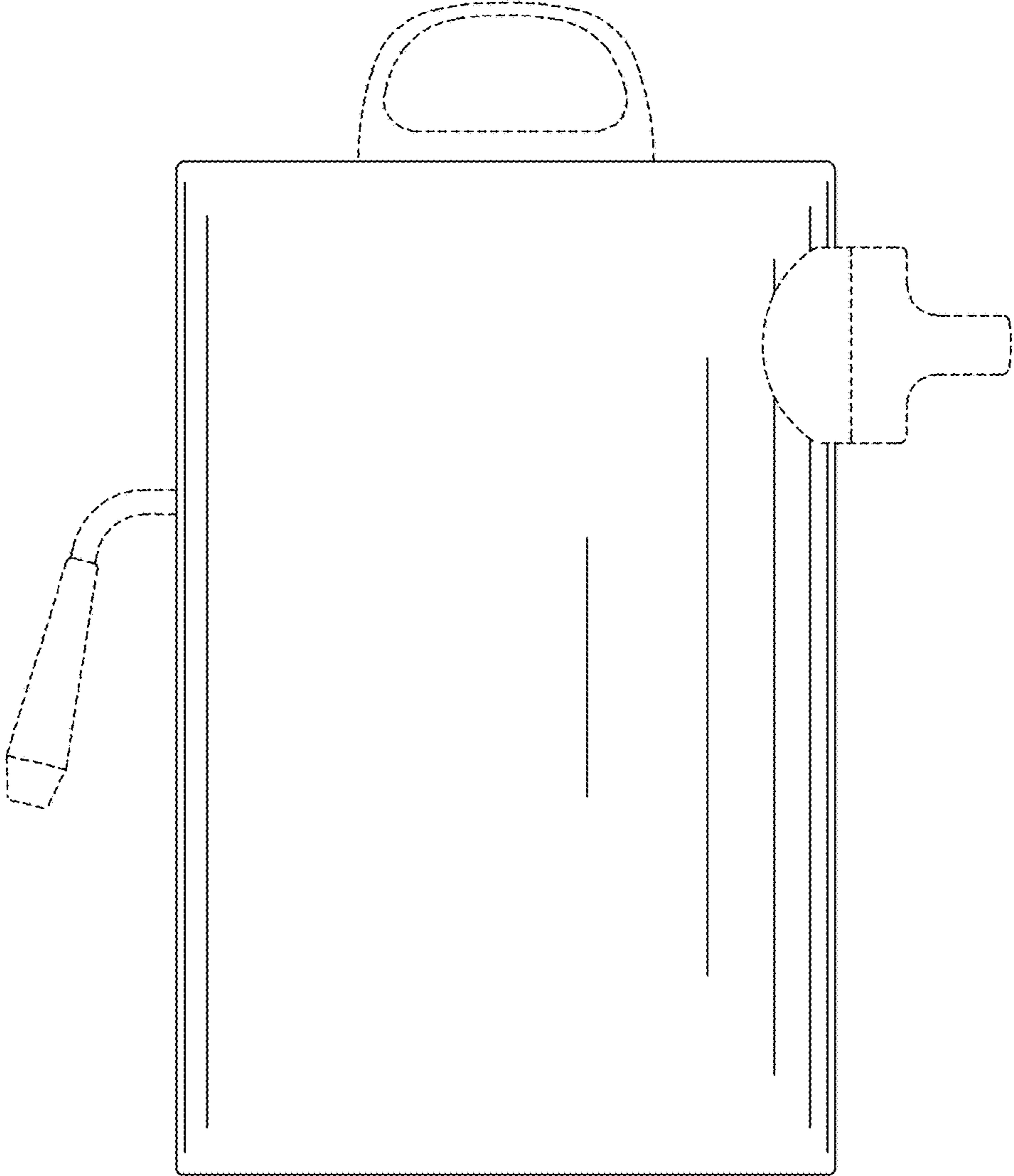


FIG 3

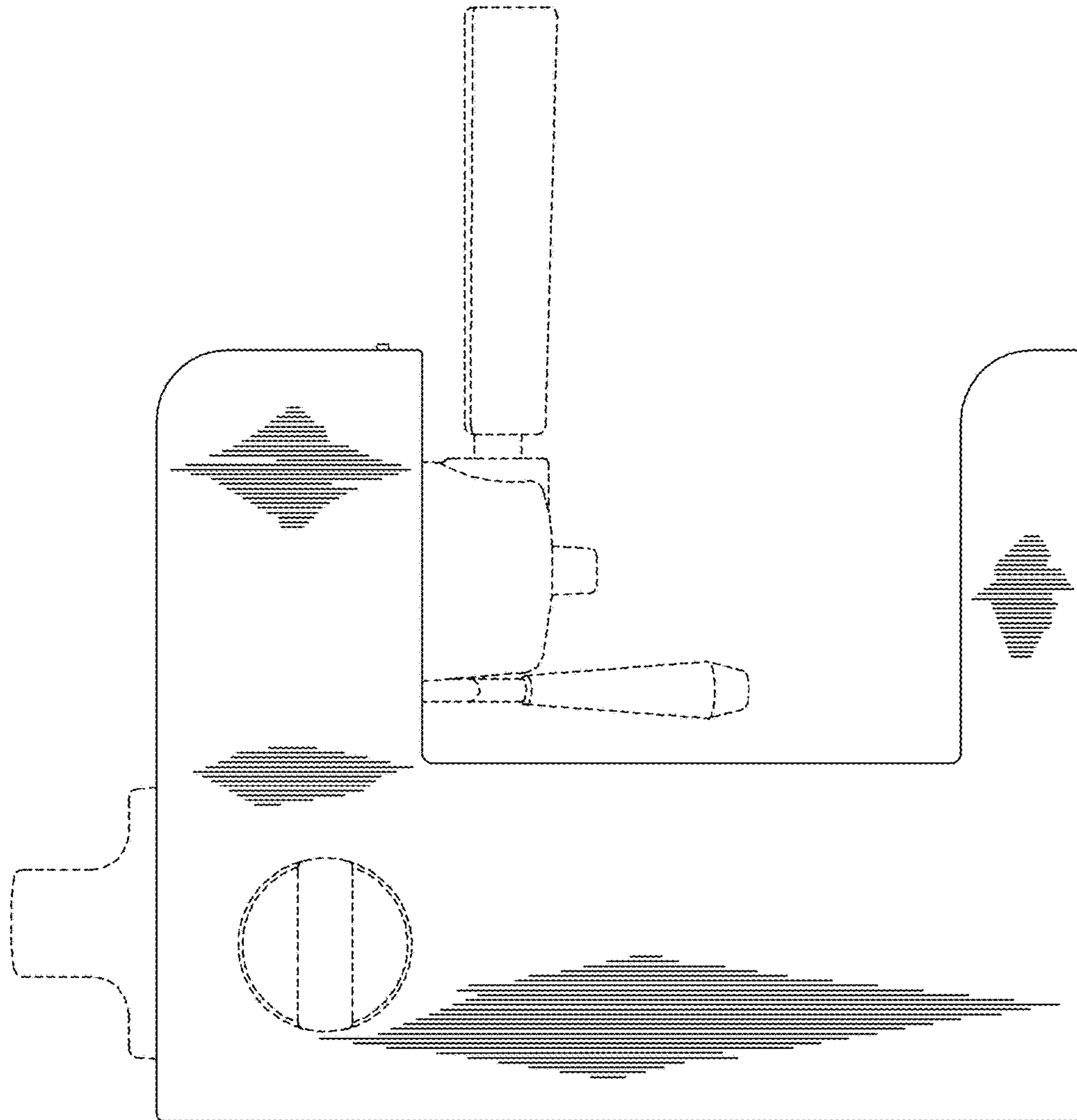


FIG 4

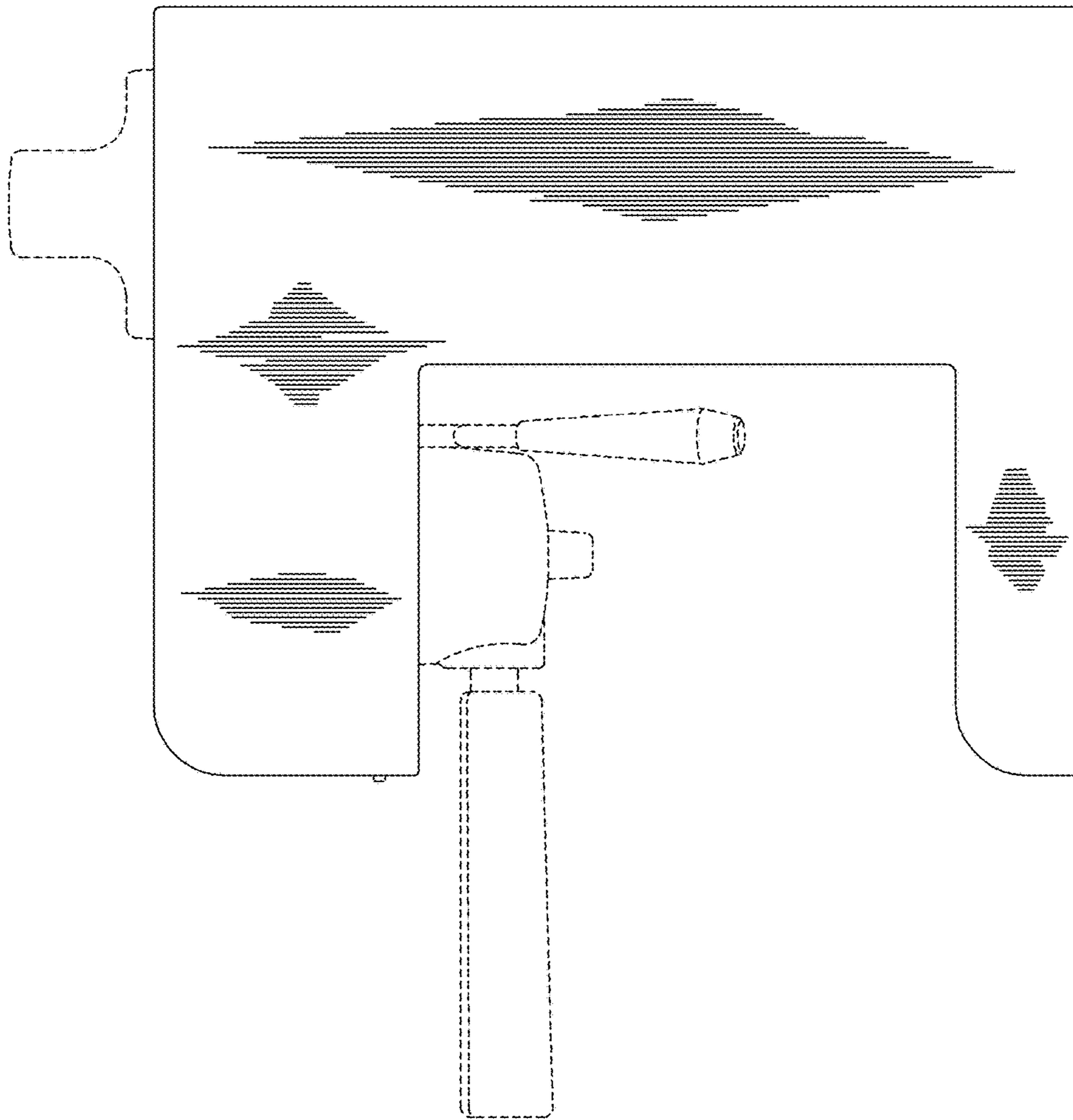


FIG 5

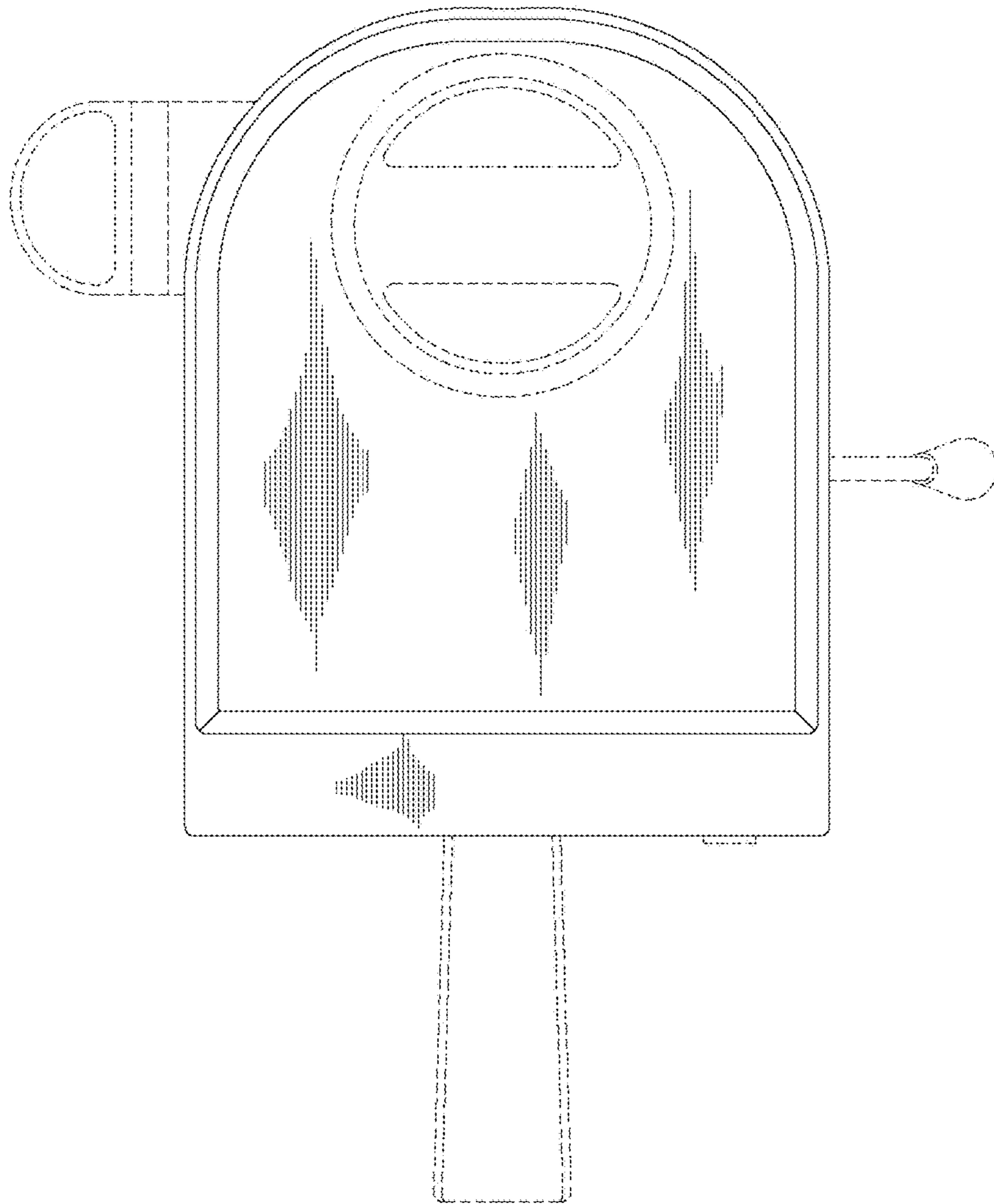


FIG. 6