



US00D793145S

(12) **United States Design Patent** (10) **Patent No.:** **US D793,145 S**
Huang et al. (45) **Date of Patent:** **** Aug. 1, 2017**

(54) **BEVERAGE CONTAINER DISPENSER ROBOT**

(56) **References Cited**

(71) Applicant: **The Coca-Cola Company**, Atlanta, GA (US)

(72) Inventors: **Xiaoyan Huang**, Marietta, GA (US); **Chih-Shang Frank Fu**, El Monte, CA (US); **H. Brock Kolls**, Alpharetta, GA (US); **Adam Wilkinson**, London (GB); **Simon Alan Daniel**, London (GB)

(73) Assignee: **The Coca-Cola Company**, Atlanta, GA (US)

(**) Term: **15 Years**

(21) Appl. No.: **29/574,042**

(22) Filed: **Aug. 11, 2016**

U.S. PATENT DOCUMENTS

| | | | | |
|--------------|---------|-------------|-------|--------|
| D36,319 S * | 5/1903 | Wiesenfeld | | D10/16 |
| D233,026 S * | 10/1974 | Blessing | | D10/23 |
| D336,449 S * | 6/1993 | Wada | | D10/23 |
| D549,756 S | 8/2007 | Park et al. | | |
| D579,035 S | 10/2008 | Kim et al. | | |
| D594,763 S * | 6/2009 | Hagerling | | D10/16 |

(Continued)

FOREIGN PATENT DOCUMENTS

WO 2007041295 4/2007

Primary Examiner — Marianne Pandozzi

(74) *Attorney, Agent, or Firm* — Cynthia R. Parks; Parks IP Law LLC

(57) **CLAIM**

We claim the ornamental design for a beverage container dispenser robot, as shown and described.

DESCRIPTION

FIG. 1 is a perspective view of a beverage container dispenser robot showing a first embodiment of our new design; FIG. 2 is a right view thereof; FIG. 3 is a left view thereof; FIG. 4 is a front view thereof; FIG. 5 is a back view thereof; FIG. 6 is a top view thereof; FIG. 7 is a bottom view thereof; FIG. 8 is a perspective view of a beverage container dispenser robot showing a second embodiment of our new design; FIG. 9 is a right view thereof; FIG. 10 is a left view thereof; FIG. 11 is a front view thereof; FIG. 12 is a back view thereof; FIG. 13 is a top view thereof; and, FIG. 14 is a bottom view thereof.

1 Claim, 12 Drawing Sheets

Related U.S. Application Data

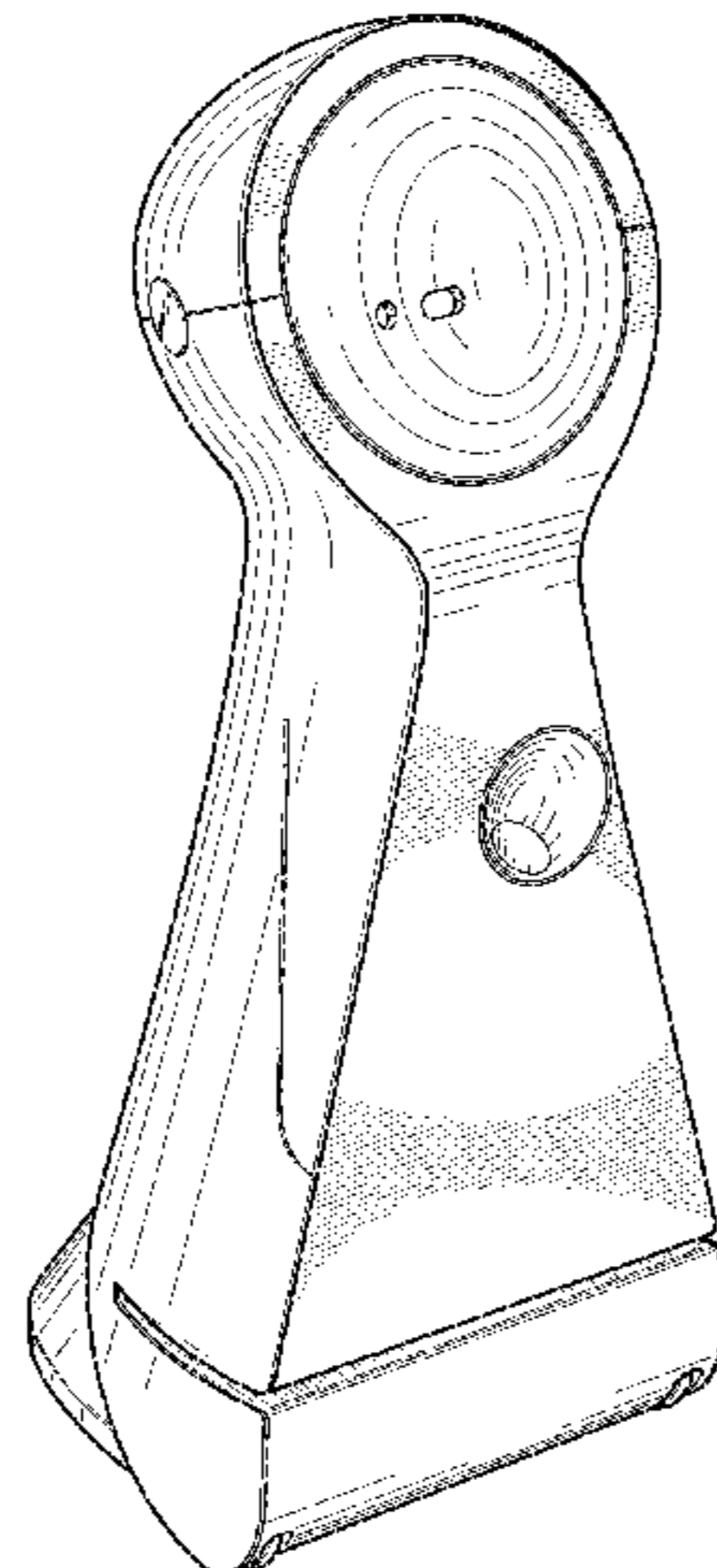
(63) Continuation of application No. 29/519,533, filed on Mar. 5, 2015, now Pat. No. Des. 766,644.

(51) **LOC (10) Cl.** **07-01**

(52) **U.S. Cl.**
USPC **D7/306**; D15/199

(58) **Field of Classification Search**
USPC D7/306-311, 305, 300, 397, 398, 399, D7/400; 99/279, 284, 290, 280, 299, 99/307, 297, 295, 323, 275, 281, 300, 99/302 R; 426/433; D20/4, 5, 1; D10/28, 25, 16, 22, 23; D15/199
CPC .. A47J 31/44; A47J 31/00; A47J 31/46; A47J 31/10; A47J 31/56; A47J 31/42; A47J 431/4482; A47J 27/2105; A47J 31/4403; A47J 31/32; A47J 31/4457; B65D 81/3266

See application file for complete search history.



(56)

References Cited

U.S. PATENT DOCUMENTS

7,720,572 B2 * 5/2010 Ziegler B25J 5/007
340/3.5
D663,333 S 7/2012 Kitano et al.
D666,049 S * 8/2012 Struzka D7/306
8,265,793 B2 * 9/2012 Cross H04N 7/15
180/168
D672,408 S * 12/2012 Ohler D15/199
D685,438 S 7/2013 Fan et al.
D725,166 S * 3/2015 Paik D15/199
D725,167 S * 3/2015 Song D15/199
D726,836 S * 4/2015 Song D15/199
D735,258 S * 7/2015 Jang D15/199
9,092,021 B2 * 7/2015 Wong G05B 19/04
D746,886 S * 1/2016 Breazal D15/199
2007/0192910 A1 * 8/2007 Vu B25J 5/007
700/245
2010/0076600 A1 3/2010 Cross et al.

* cited by examiner

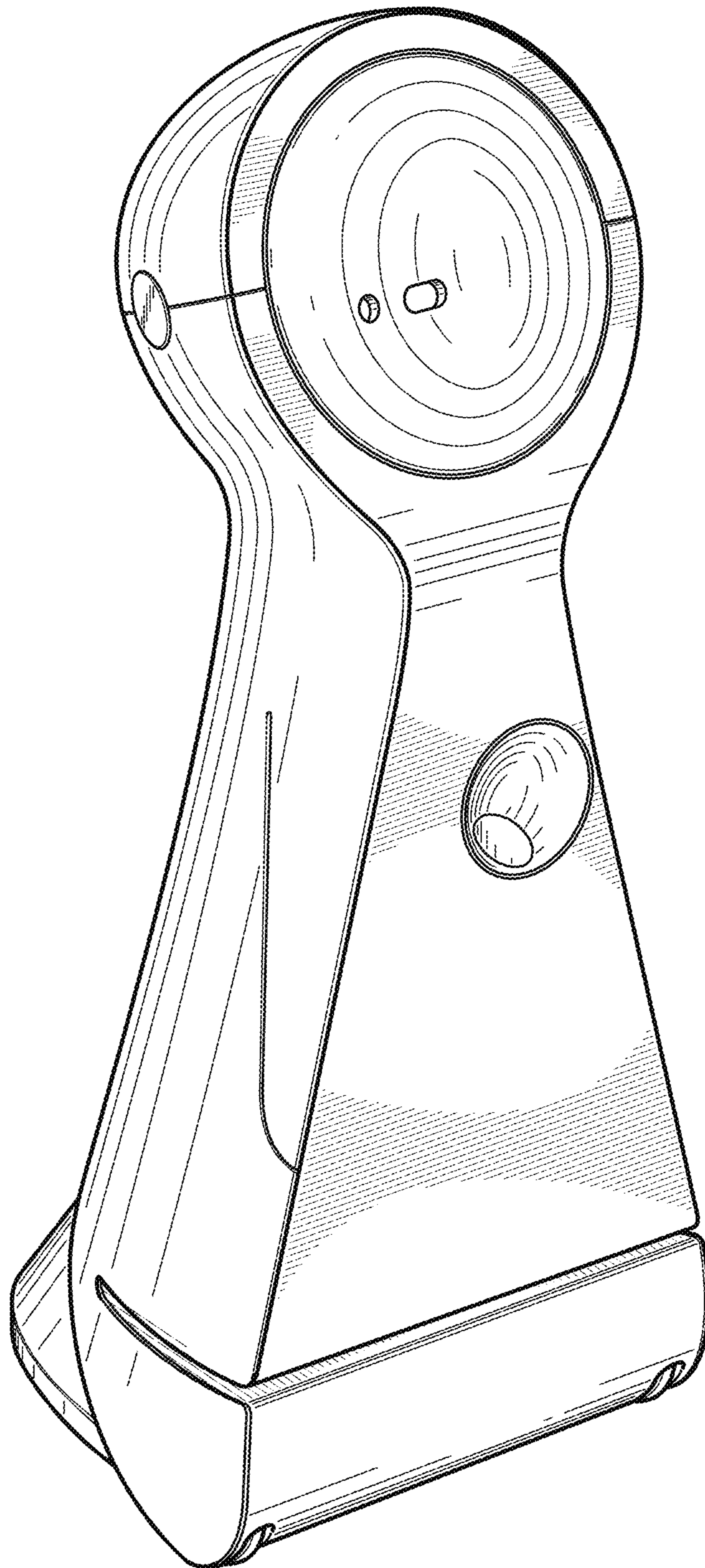


FIG. 1

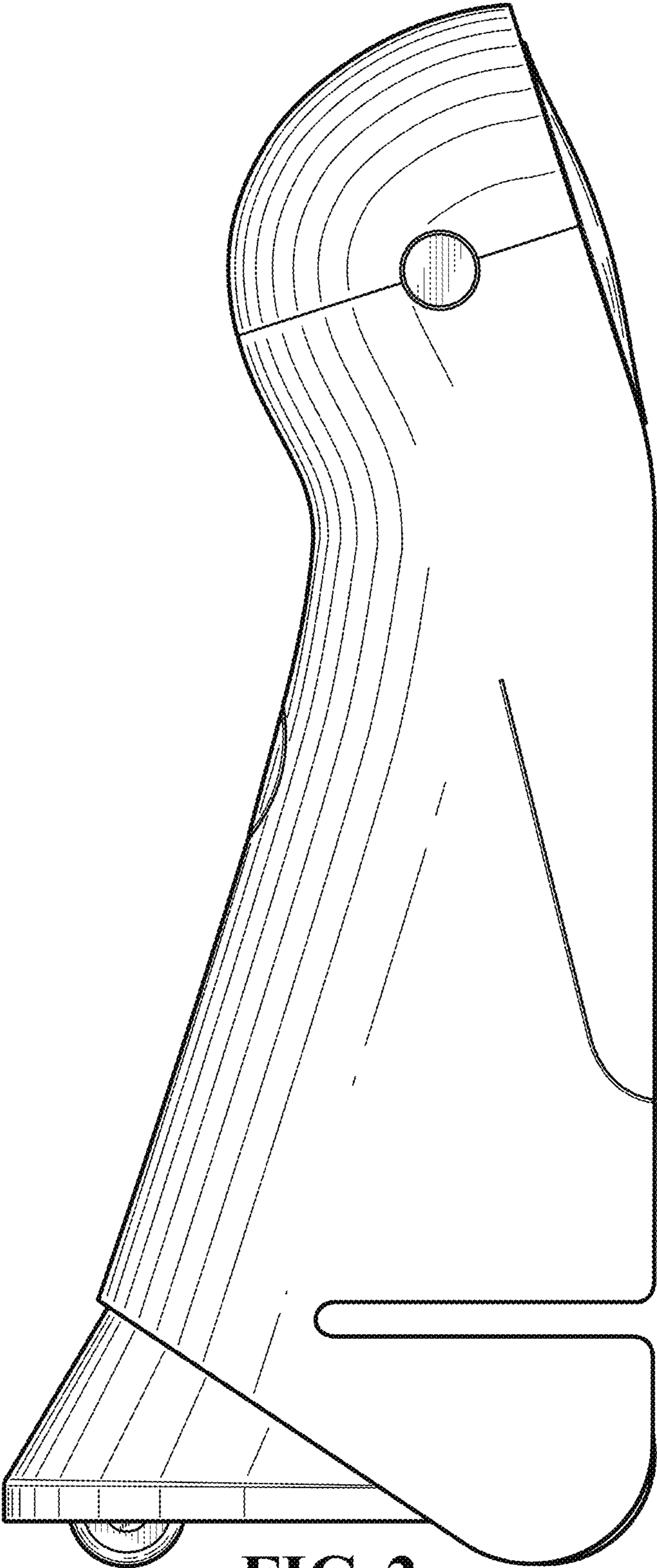


FIG. 2

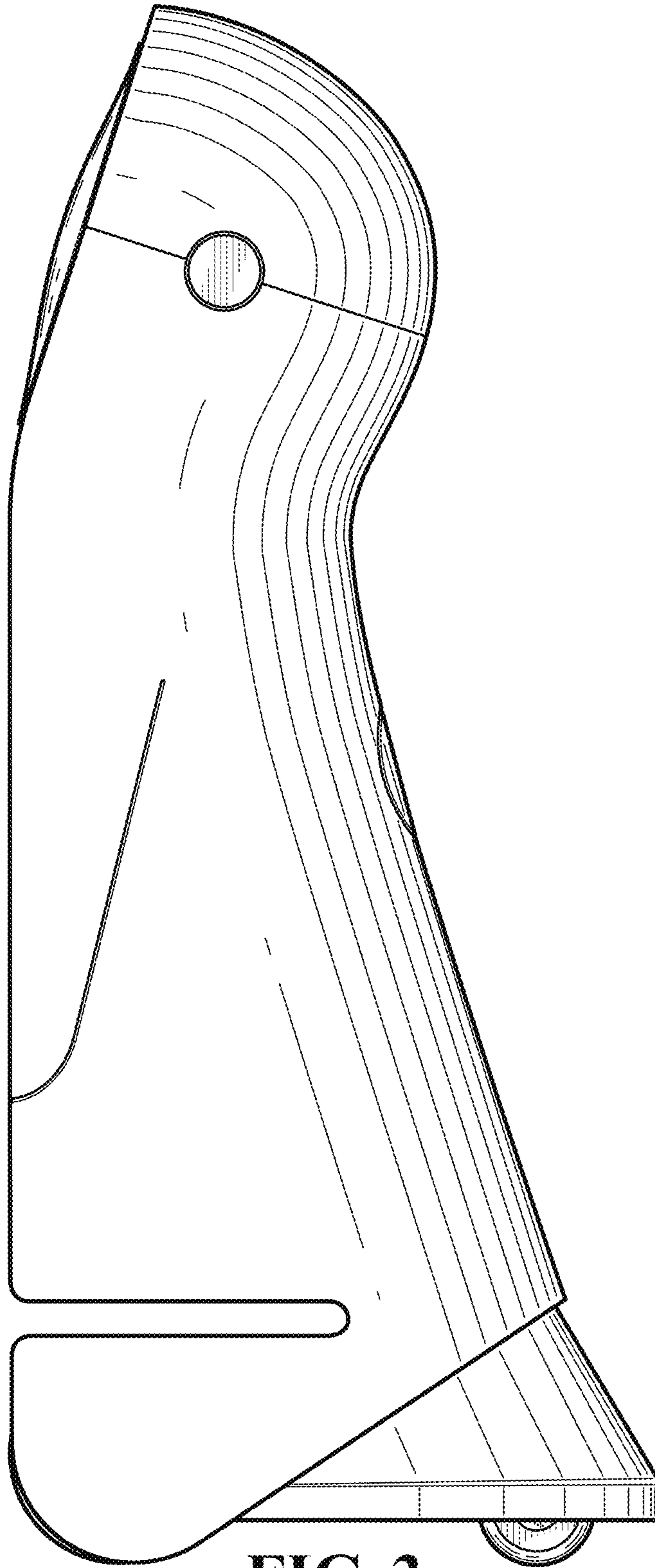


FIG. 3

FIG. 4

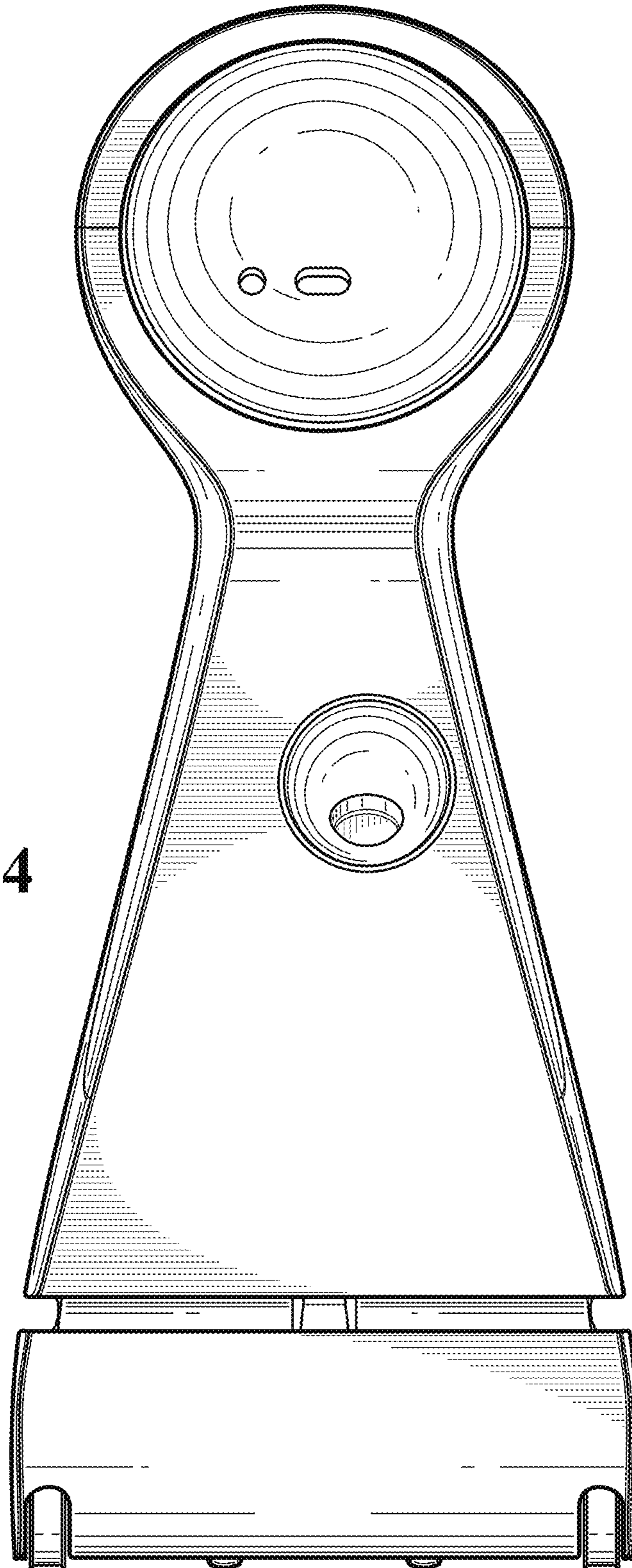
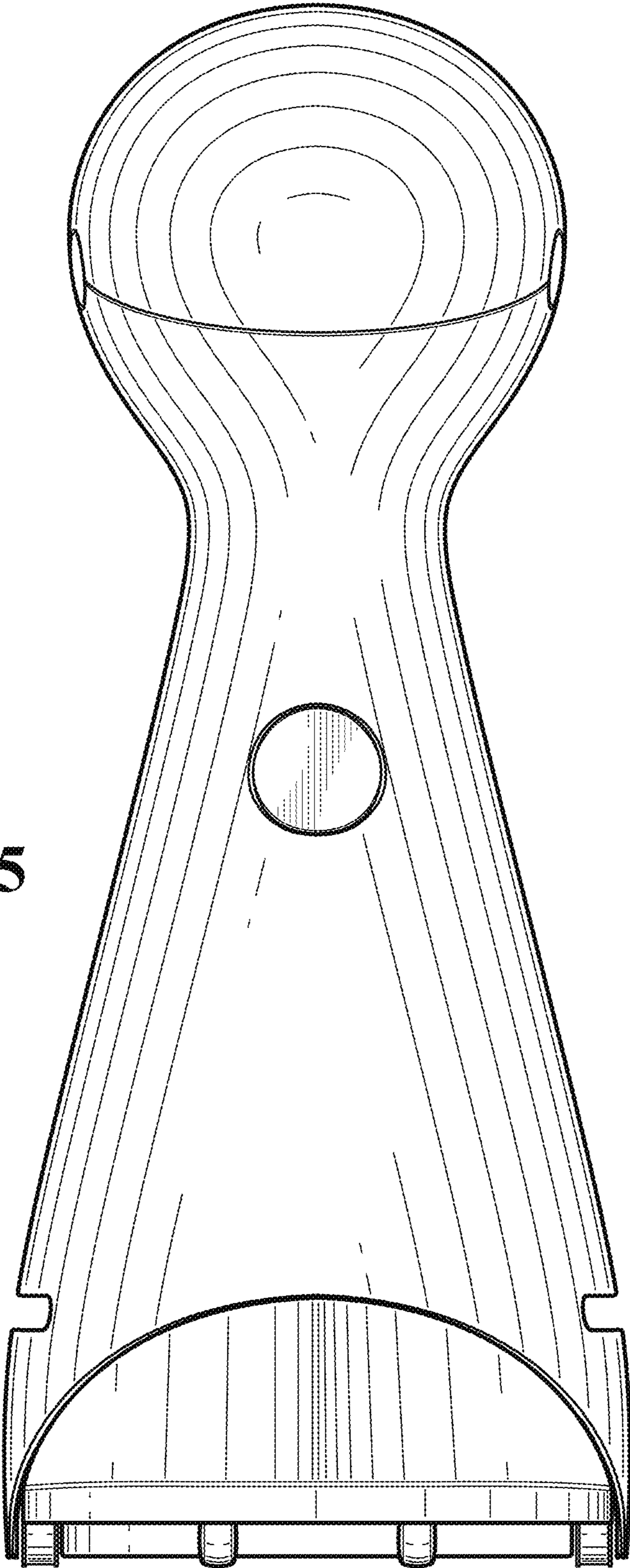


FIG. 5



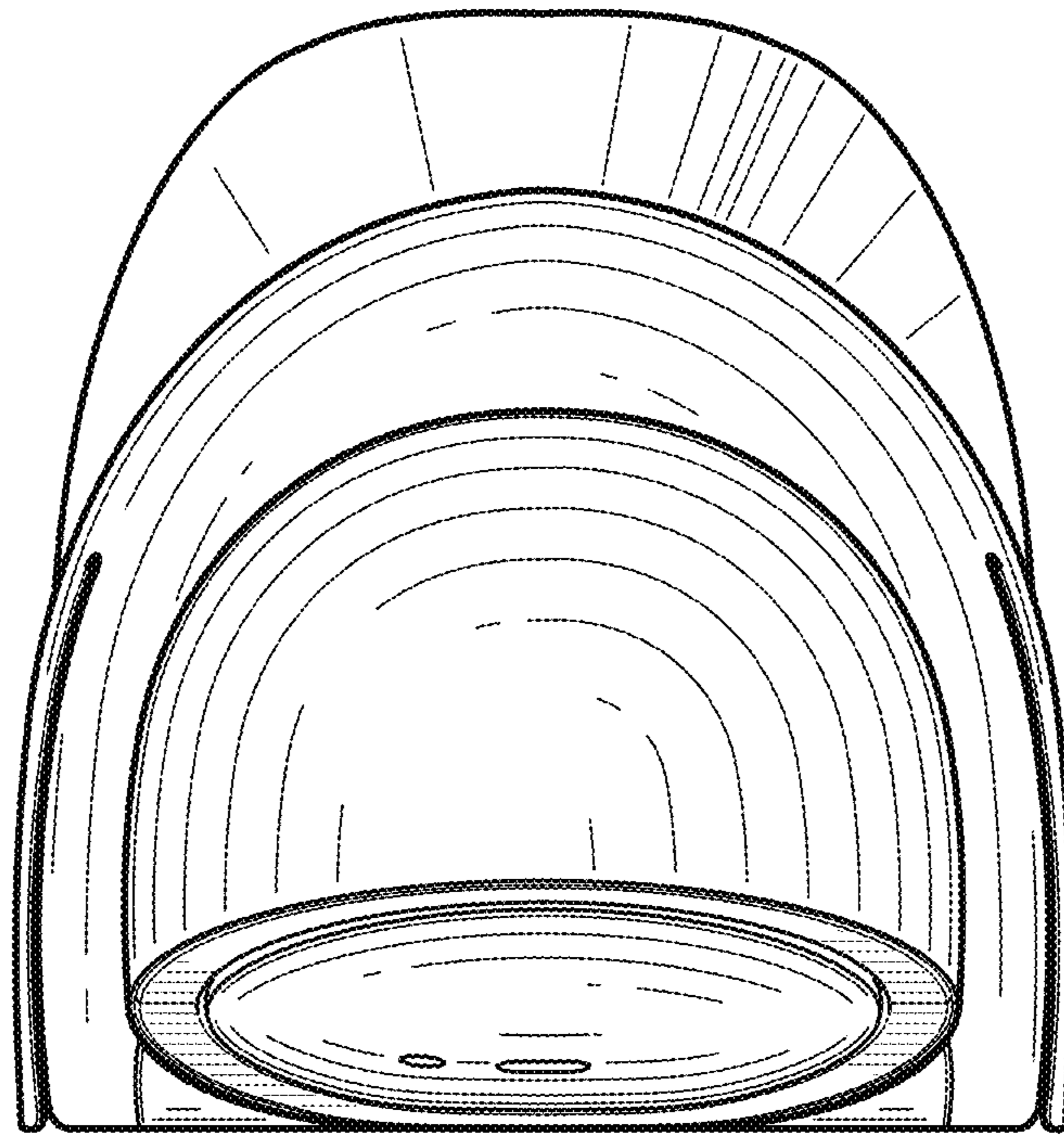


FIG. 6

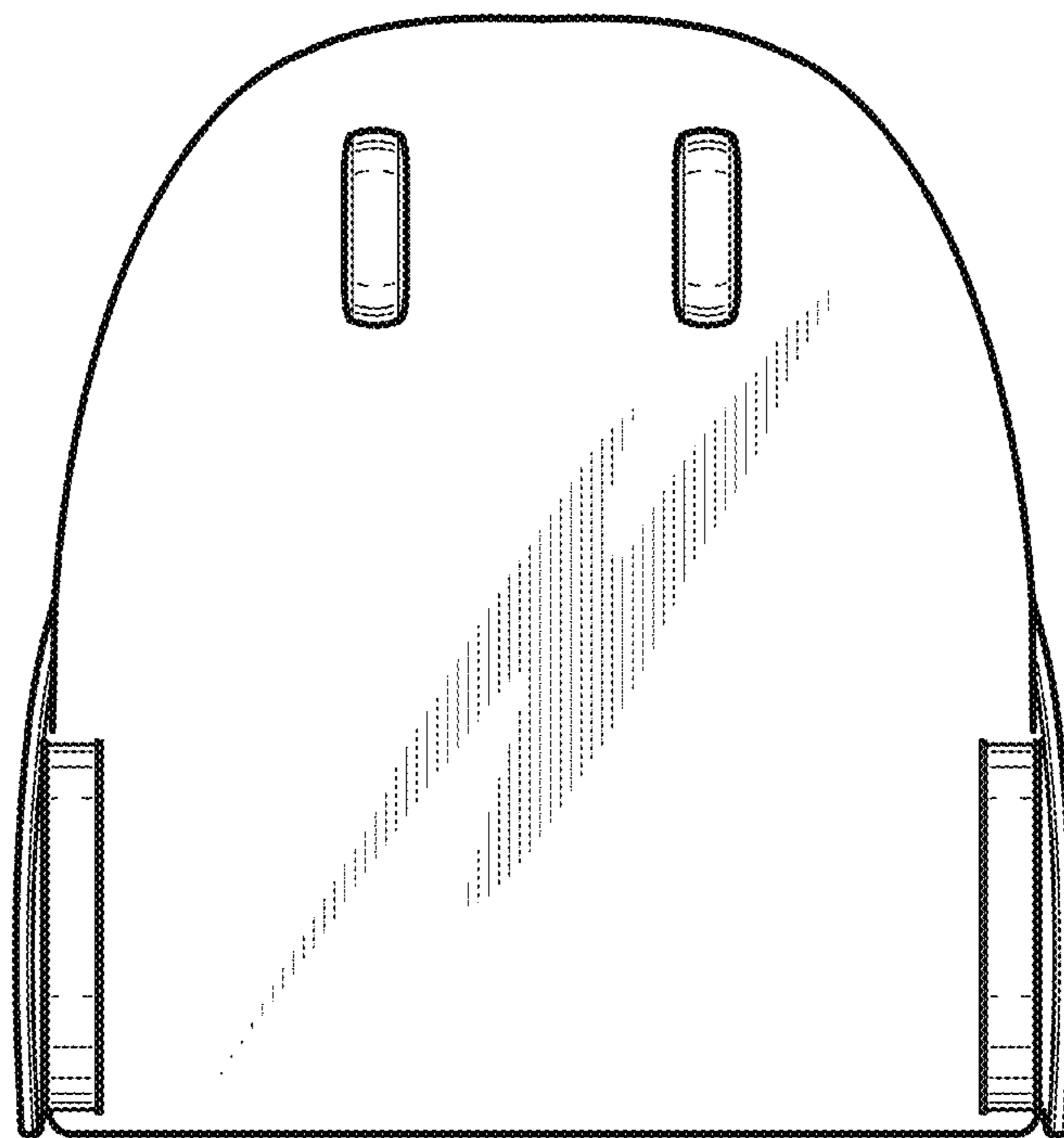


FIG. 7

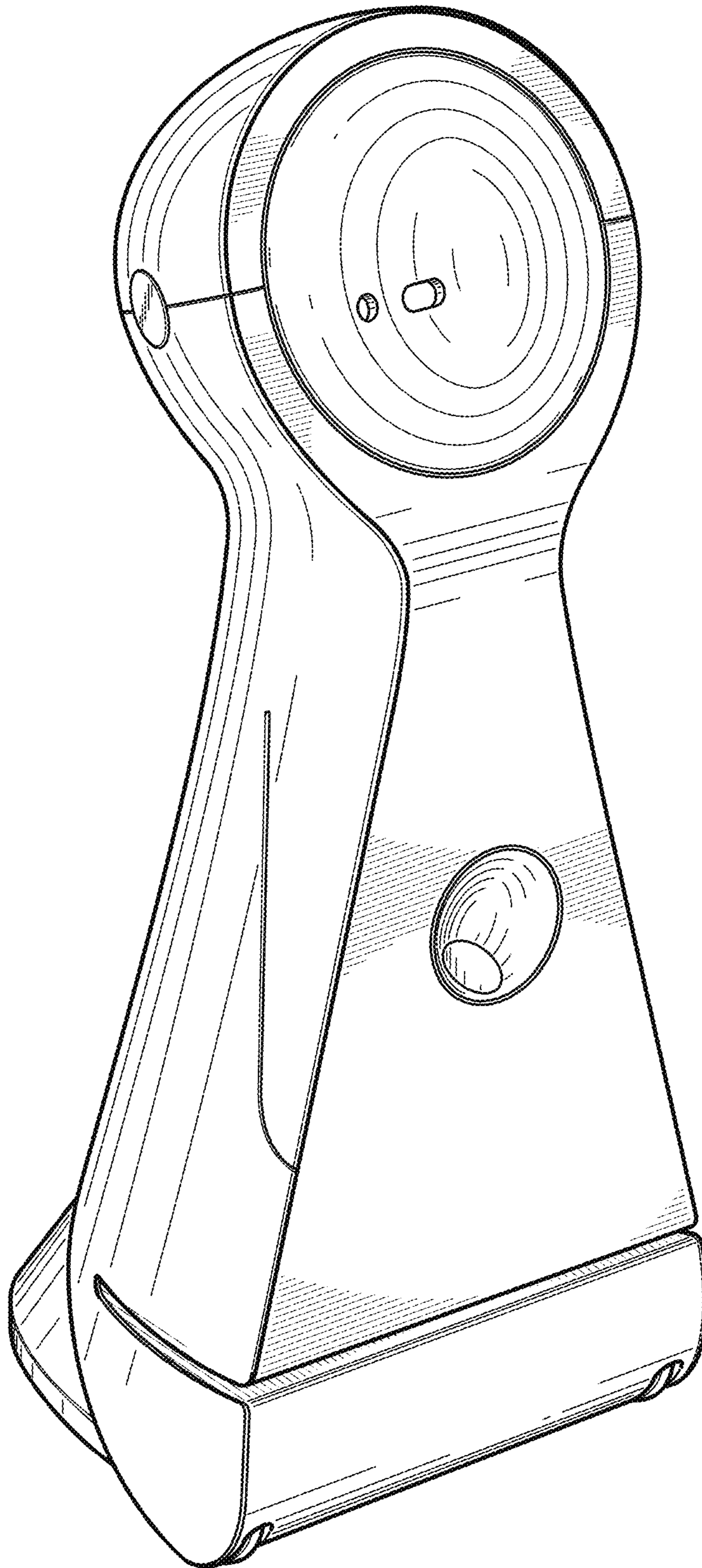


FIG. 8

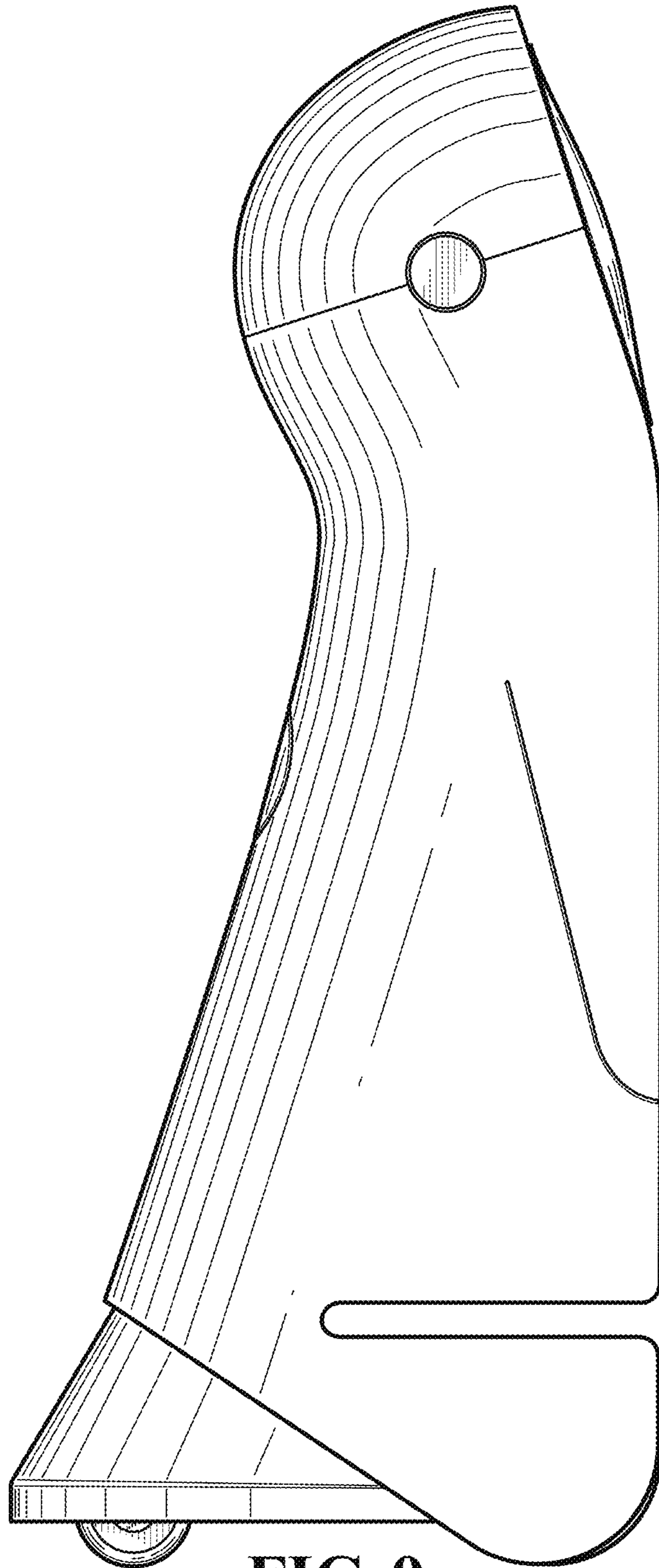


FIG. 9

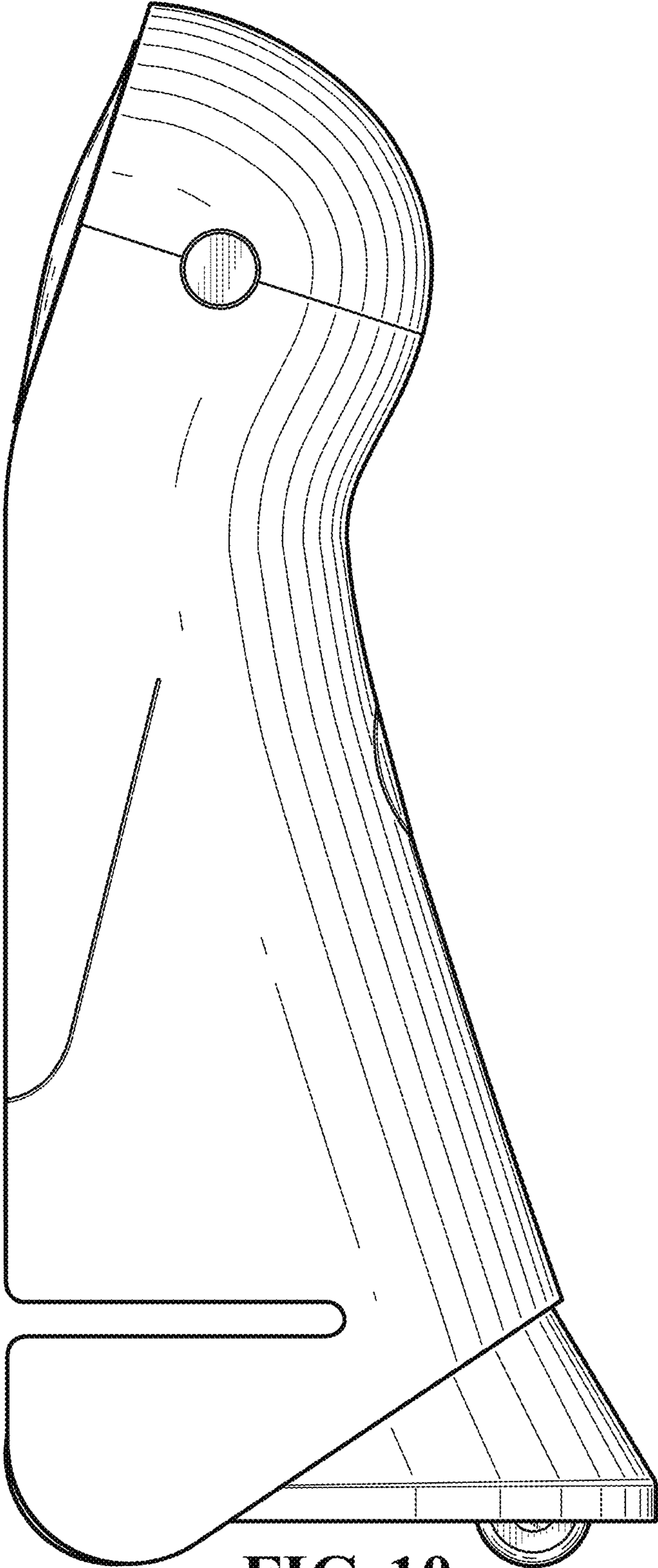


FIG. 10

FIG. 11

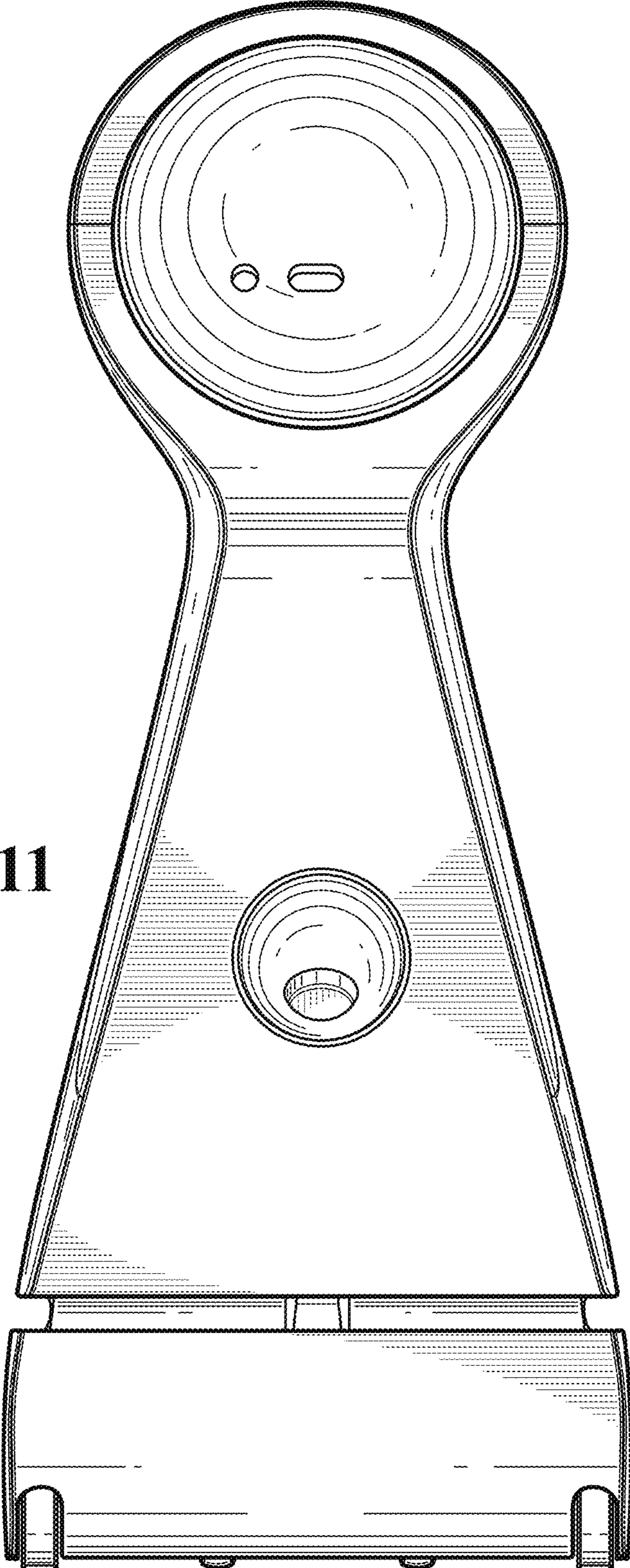
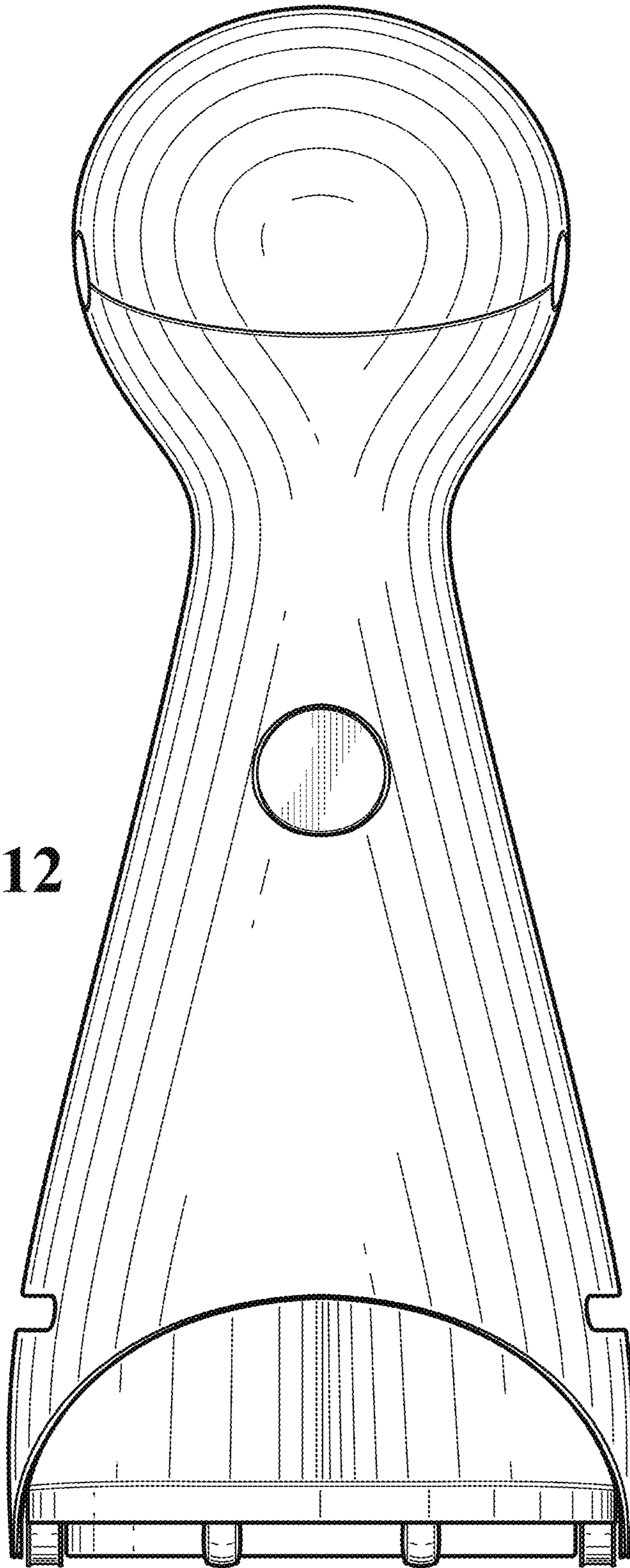


FIG. 12



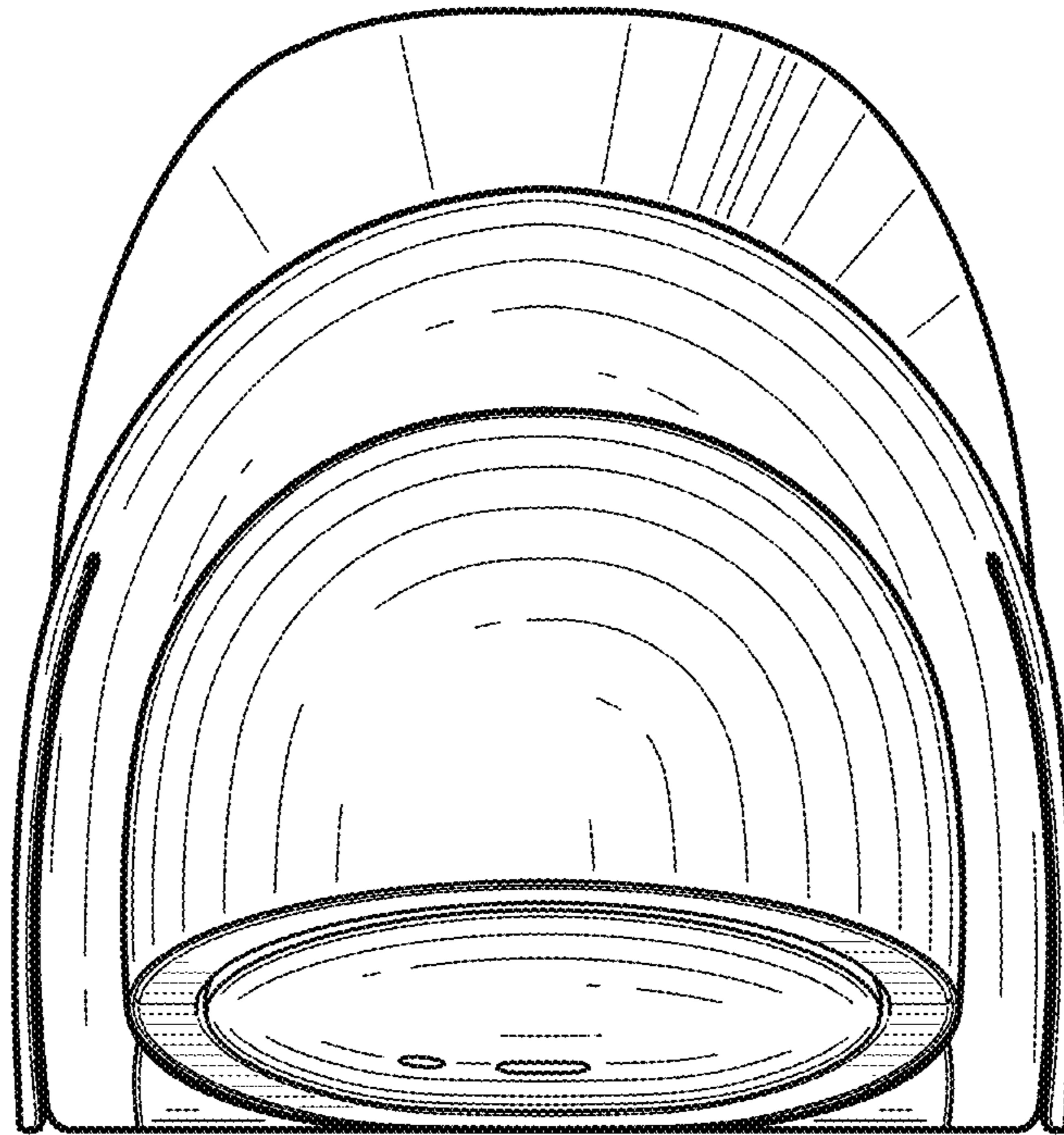


FIG. 13

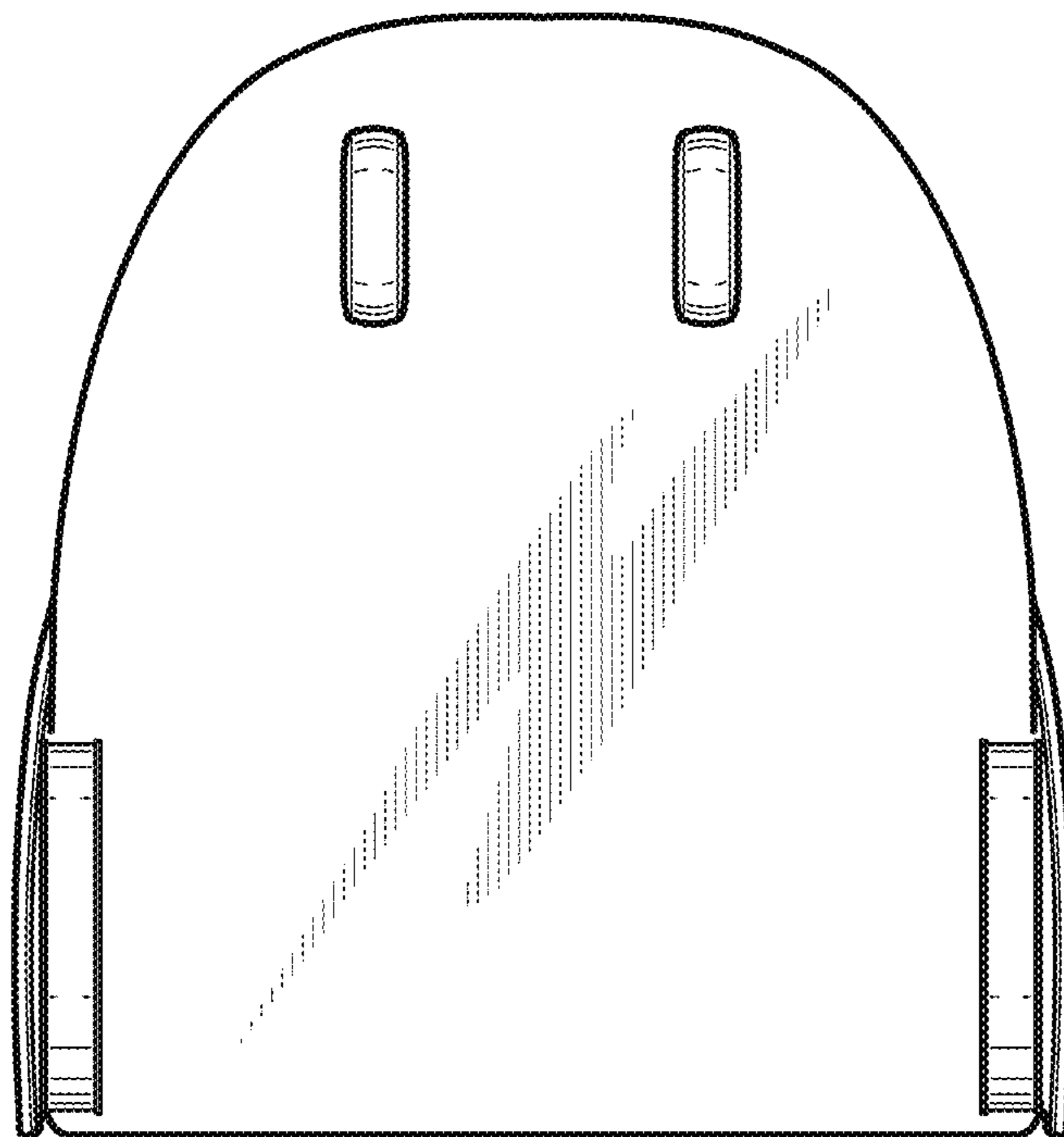


FIG. 14