



US00D793143S

(12) **United States Design Patent** (10) **Patent No.:** **US D793,143 S**
Tsai (45) **Date of Patent:** **** Aug. 1, 2017**

(54) CHAIR BACK FRAME	D540,079 S * 4/2007 Bock D6/716.4
	D540,578 S * 4/2007 Chen D6/716.4
(71) Applicant: ZHONGSHAN SHI SONGLIN FURNITURE CO., LTD , Zhongshan, Guangdong Prov (CN)	7,213,880 B2 * 5/2007 Schmitz A47C 7/282 297/300.2
	7,347,495 B2 * 3/2008 Beyer A47C 7/46 297/284.3
(72) Inventor: Hsuan-Chin Tsai , Chai-Yi Hsien (TW)	D570,624 S * 6/2008 Kang D6/716
	D573,817 S * 7/2008 Su D6/716.4
	D580,199 S * 11/2008 Su D6/366
(73) Assignee: Zhongshan Shi Songlin Furniture Co., Ltd , Zhongshan (CN)	D585,205 S * 1/2009 Wen D6/366
	D641,561 S * 7/2011 Tsai D6/366
	D645,683 S * 9/2011 Chen D6/366
	D661,137 S * 6/2012 Su D6/366
(**) Term: 15 Years	D687,660 S * 8/2013 Hsuan-Chin D6/366
	D767,320 S * 9/2016 Xingchang D6/716.4
(21) Appl. No.: 29/566,433	D774,345 S * 12/2016 Tsai D6/716.4

* cited by examiner

(22) Filed: **May 31, 2016**

(51) **LOC (10) Cl.** **06-01**

(52) **U.S. Cl.**
USPC **D6/716.4**

(58) **Field of Classification Search**
USPC D6/334-336, 366, 367, 369, 379, 380,
D6/716, 716.1, 716.2, 716.4
CPC A47C 7/16; A47C 7/40; A47C 7/46; A47C
7/022; A47C 7/282; A47C 7/285
See application file for complete search history.

Primary Examiner — Mimoso De
(74) *Attorney, Agent, or Firm* — Alan D. Kamrath;
Kamrath IP Lawfirm, P.A.

(57) **CLAIM**

The ornamental design for a chair back frame, as shown and described.

DESCRIPTION

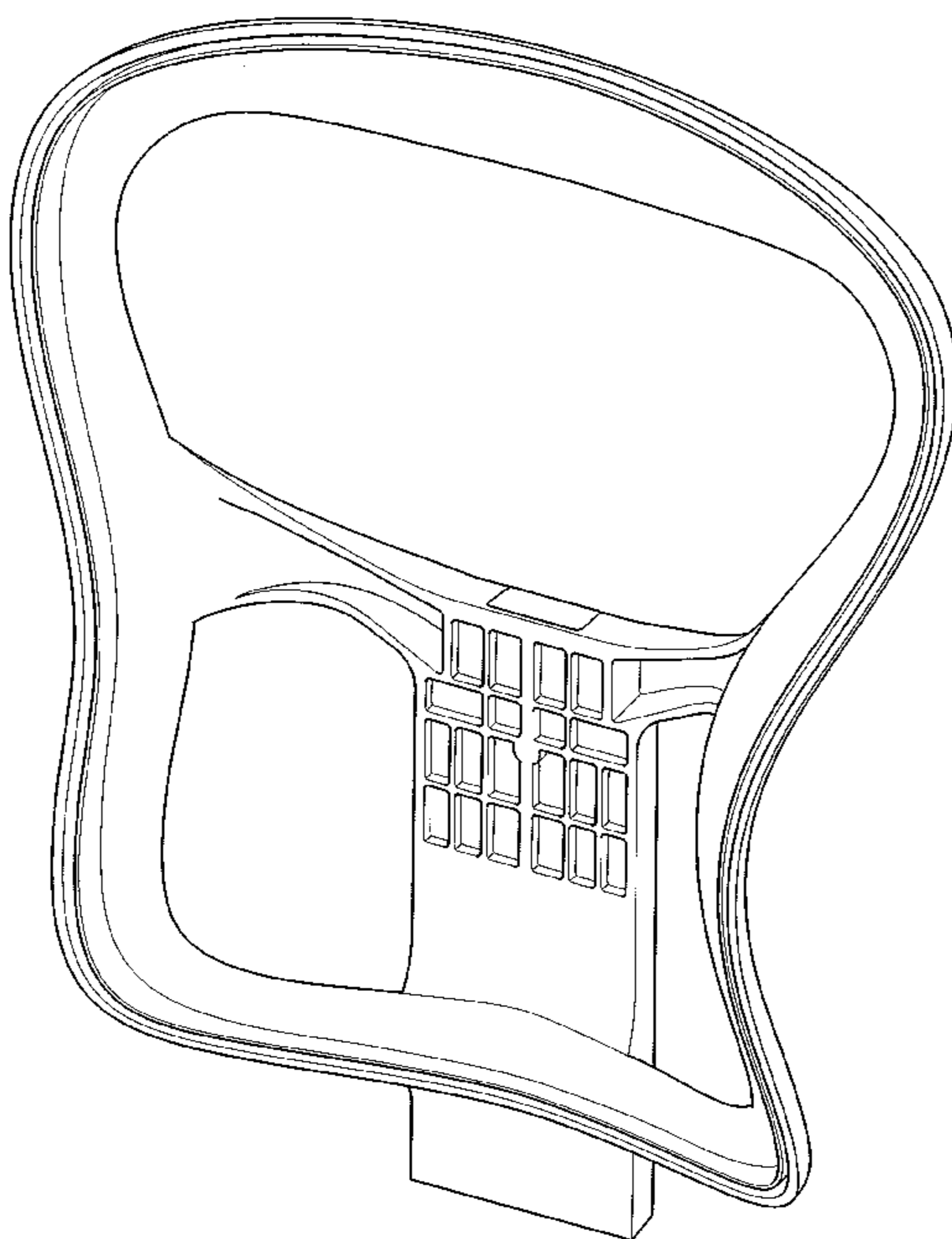
FIG. 1 is a perspective view of a chair back frame, showing my new design;
FIG. 2 is a front elevational view thereof;
FIG. 3 is a rear elevational view thereof;
FIG. 4 is a left side view thereof;
FIG. 5 is a right side view thereof;
FIG. 6 is a top plan view thereof; and,
FIG. 7 is a bottom plan view thereof.

1 Claim, 5 Drawing Sheets

(56) **References Cited**

U.S. PATENT DOCUMENTS

D453,079 S *	1/2002	Ma	D6/366
D471,370 S *	3/2003	Schmitz	D6/366
6,550,866 B1 *	4/2003	Su	A47C 7/282 297/440.11
D490,994 S *	6/2004	Schmitz	D6/366
D493,627 S *	8/2004	Ma	D6/366
D495,509 S *	9/2004	Breen	D6/366
D514,831 S *	2/2006	Tsai	D6/366



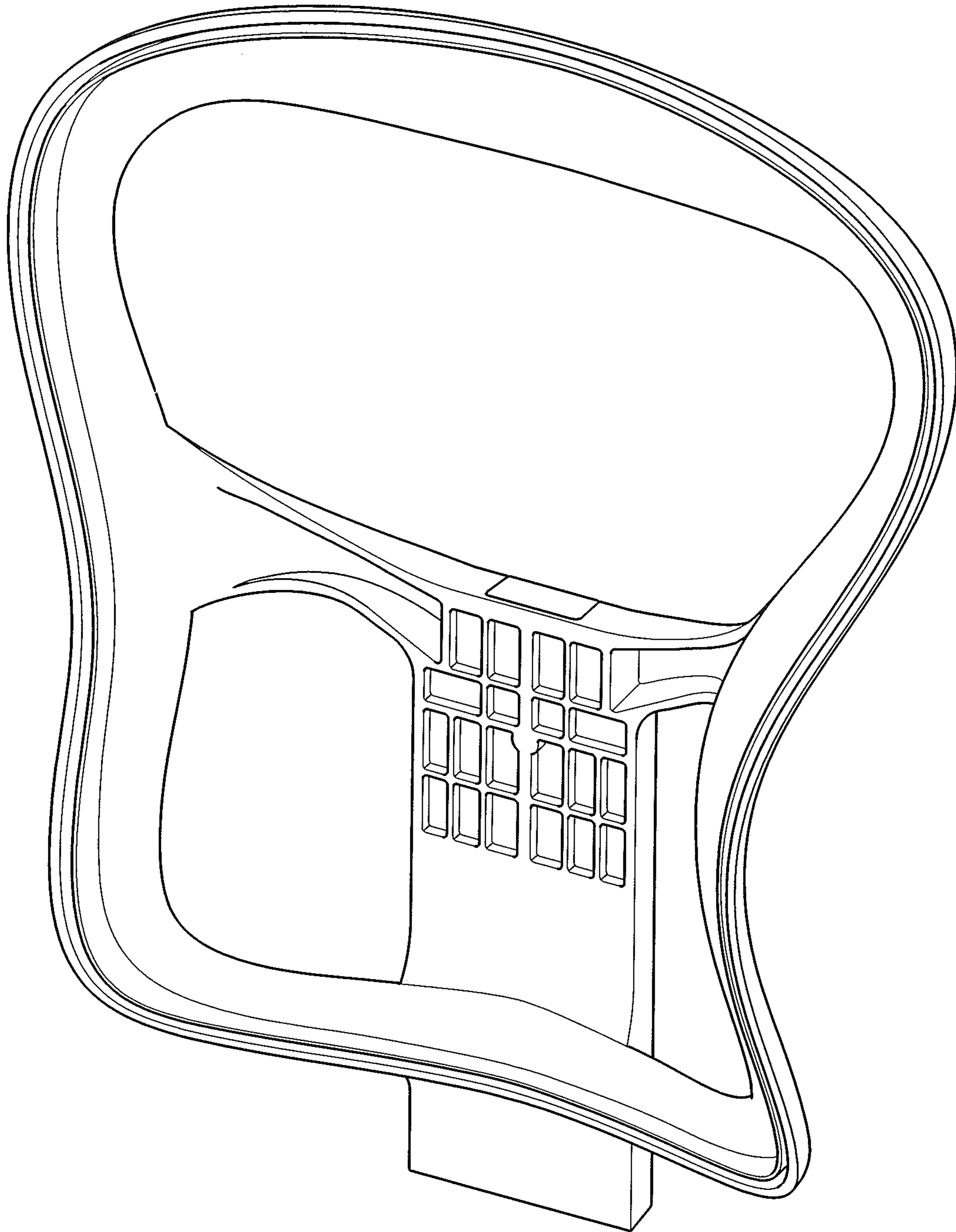


FIG. 1

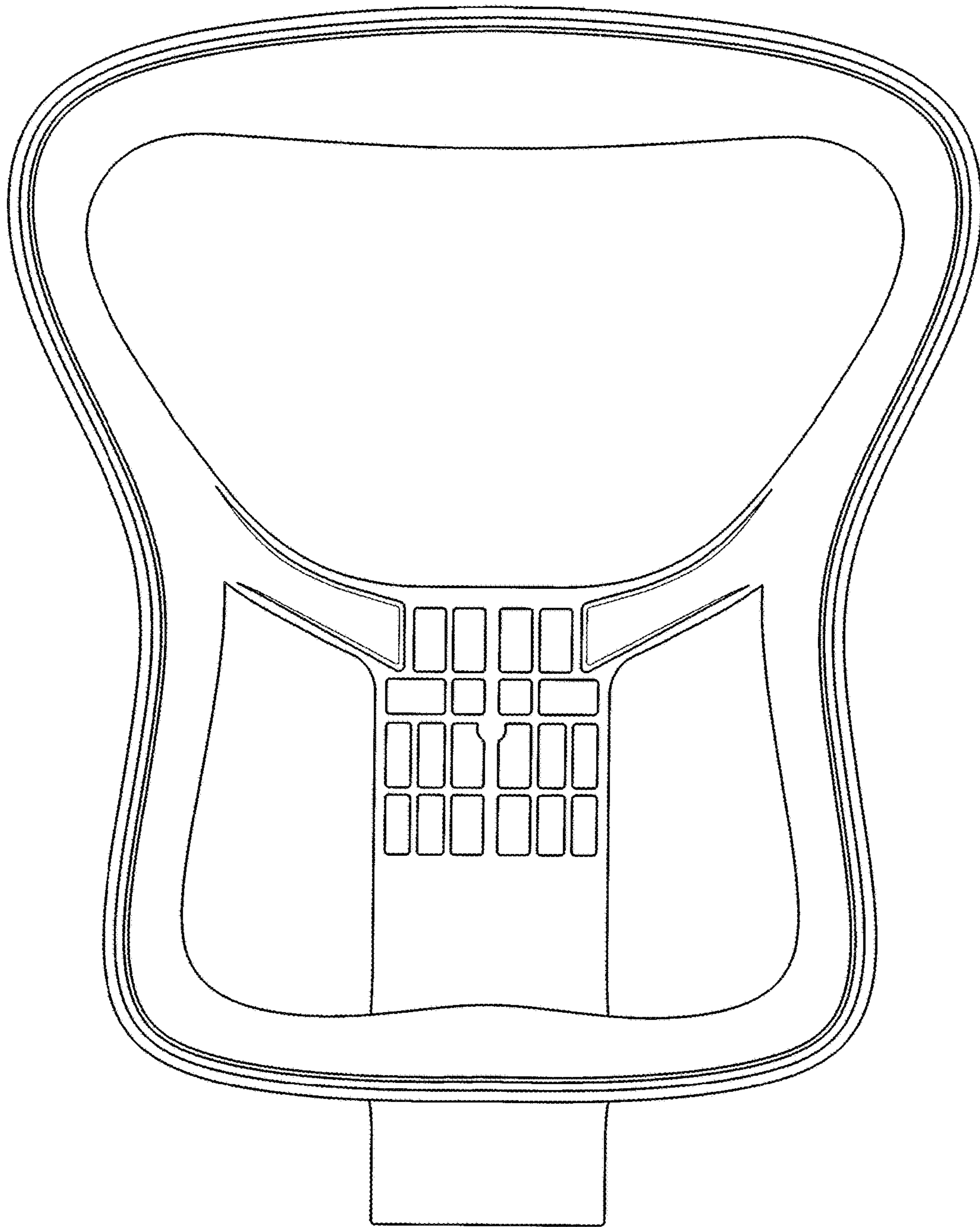


FIG. 2

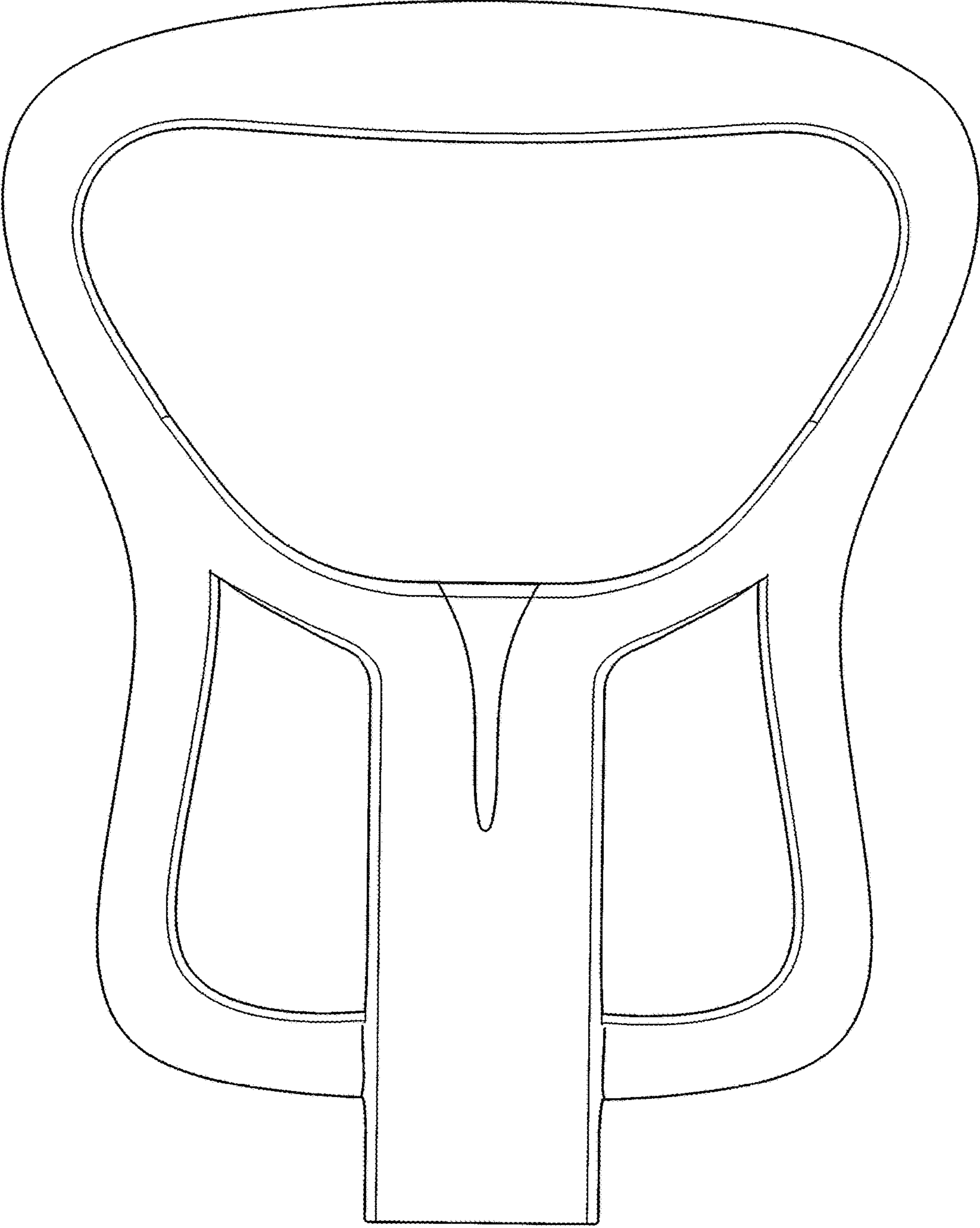


FIG. 3

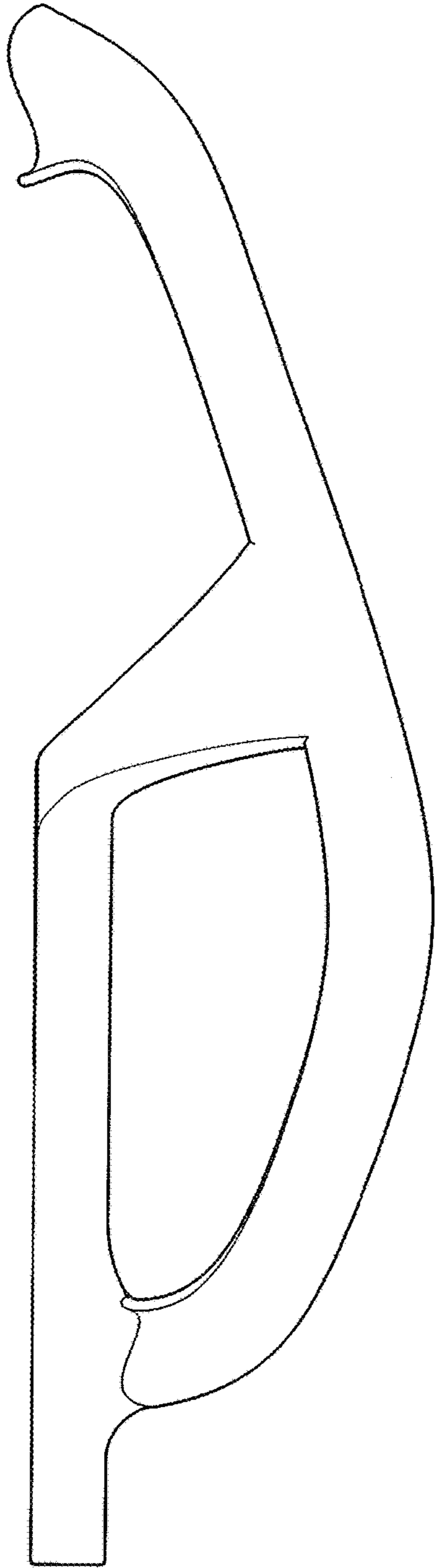


FIG. 4

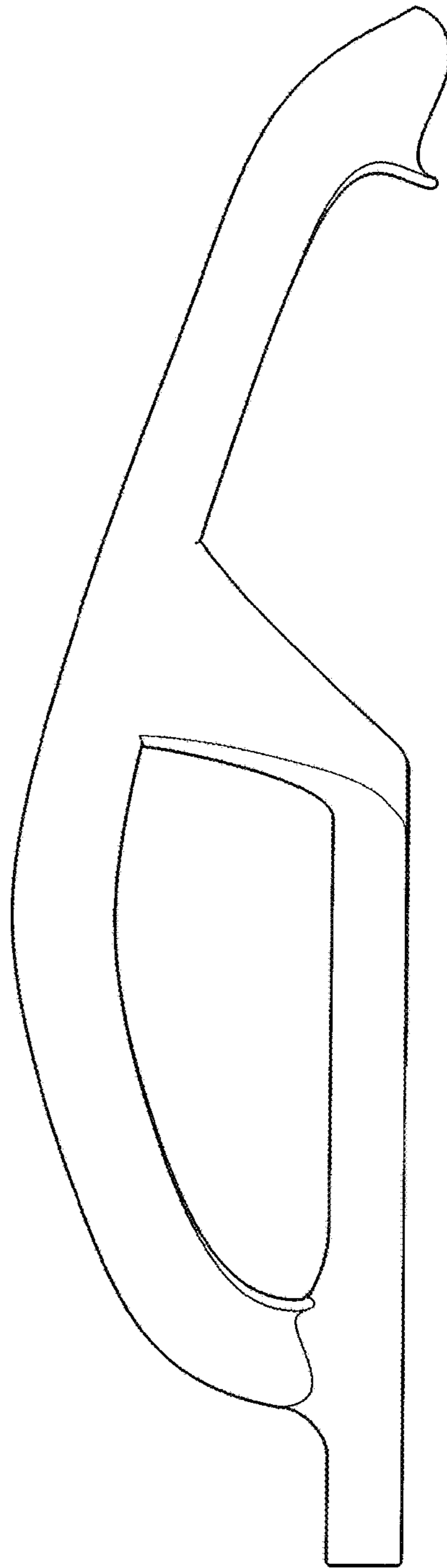


FIG. 5

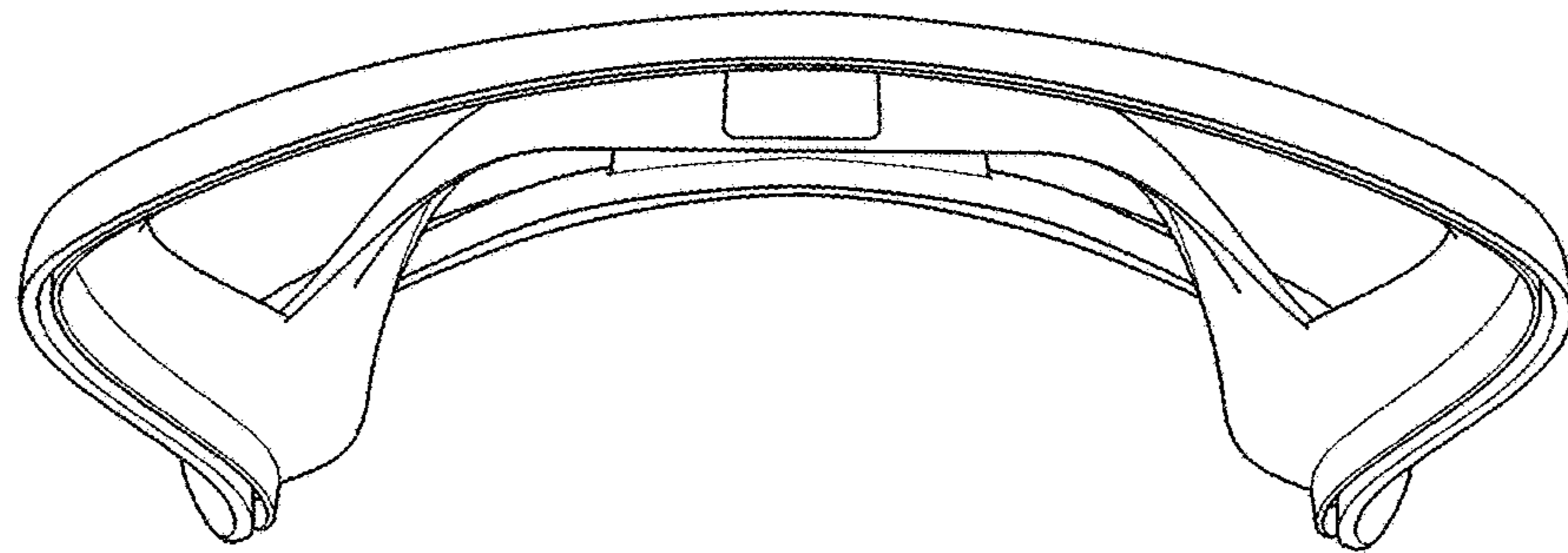


FIG. 6

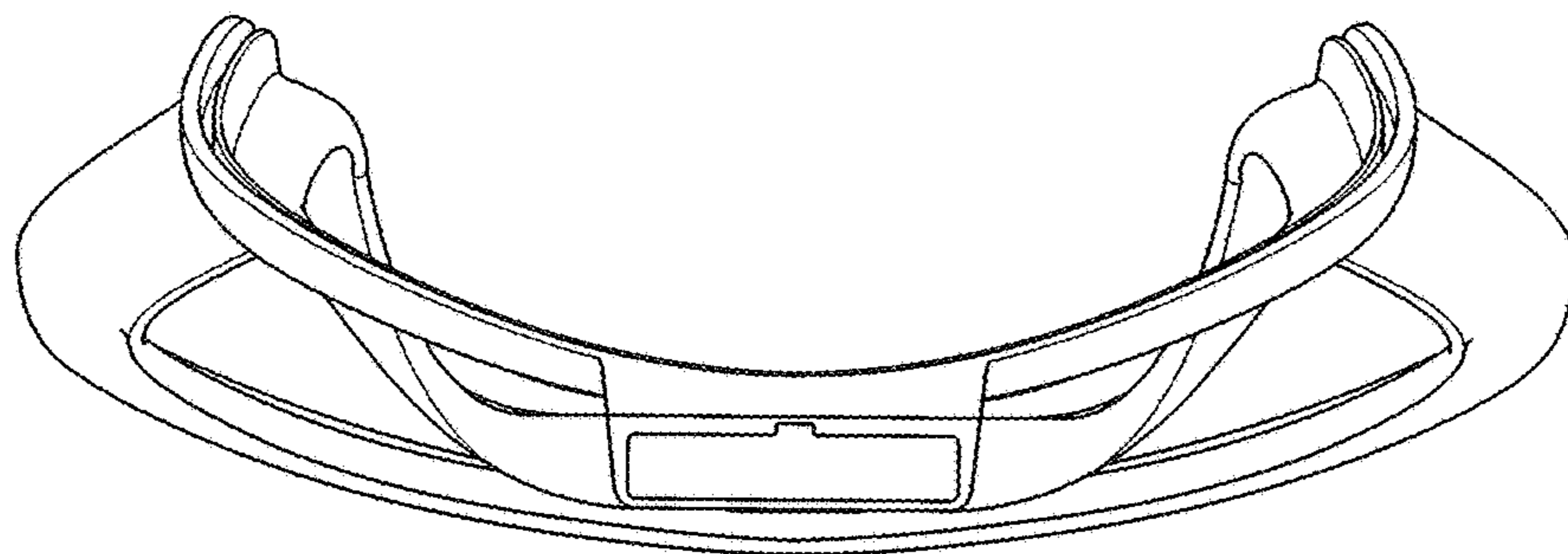


FIG. 7