



US00D793142S

(12) **United States Design Patent**  
**Tsai**

(10) **Patent No.:** **US D793,142 S**  
(45) **Date of Patent:** **\*\* Aug. 1, 2017**

- (54) **CHAIR BACK FRAME**
- (71) Applicant: **ZHONGSHAN SHI SONGLIN FURNITURE CO., LTD**, Zhongshan, Guangdong Prov (CN)
- (72) Inventor: **Hsuan-Chin Tsai**, Chai-Yi Hsien (TW)
- (73) Assignee: **Zhongshan Shi Songlin Furniture Co., Ltd.**, Zhongshan (CN)
- (\*\*) Term: **15 Years**
- (21) Appl. No.: **29/566,430**
- (22) Filed: **May 31, 2016**
- (51) **LOC (10) Cl.** ..... **06-01**
- (52) **U.S. Cl.**  
USPC ..... **D6/716.4**
- (58) **Field of Classification Search**  
USPC ..... D6/334-336, 366, 367, 369, 379, 380, D6/716, 716.1, 716.2, 716.4  
CPC .. A47C 7/40; A47C 7/46; A47C 7/022; A47C 7/282; A47C 7/285; A47C 7/402; A47C 7/405  
See application file for complete search history.

6,945,601 B1 *	9/2005	Wu	.....	A47C 7/405
				297/284.1
D641,572 S *	7/2011	Tsai	.....	D6/716.4
D641,575 S *	7/2011	Hsuan-Chin	.....	D6/716.4
D644,466 S *	9/2011	Wu	.....	D6/716.4
D645,684 S *	9/2011	Chen	.....	D6/716.4
D661,506 S *	6/2012	Ou	.....	D6/366
D661,916 S *	6/2012	Chen	.....	D6/366
D673,399 S *	1/2013	Gu	.....	D6/716.4
8,408,647 B2 *	4/2013	Wu	.....	A47C 7/402
				297/285
D698,167 S *	1/2014	Wan	.....	D6/366
D708,883 S *	7/2014	Tsai	.....	D6/716.4
D708,884 S *	7/2014	Hsuan-Chin	.....	D6/716.4
D780,499 S *	3/2017	Tsai	.....	D6/366

\* cited by examiner

*Primary Examiner* — Mimosa De

(74) *Attorney, Agent, or Firm* — Alan D. Kamrath;  
Kamrath IP Lawfirm, P.A.

(57) **CLAIM**

The ornamental design for a chair back frame, as shown and described.

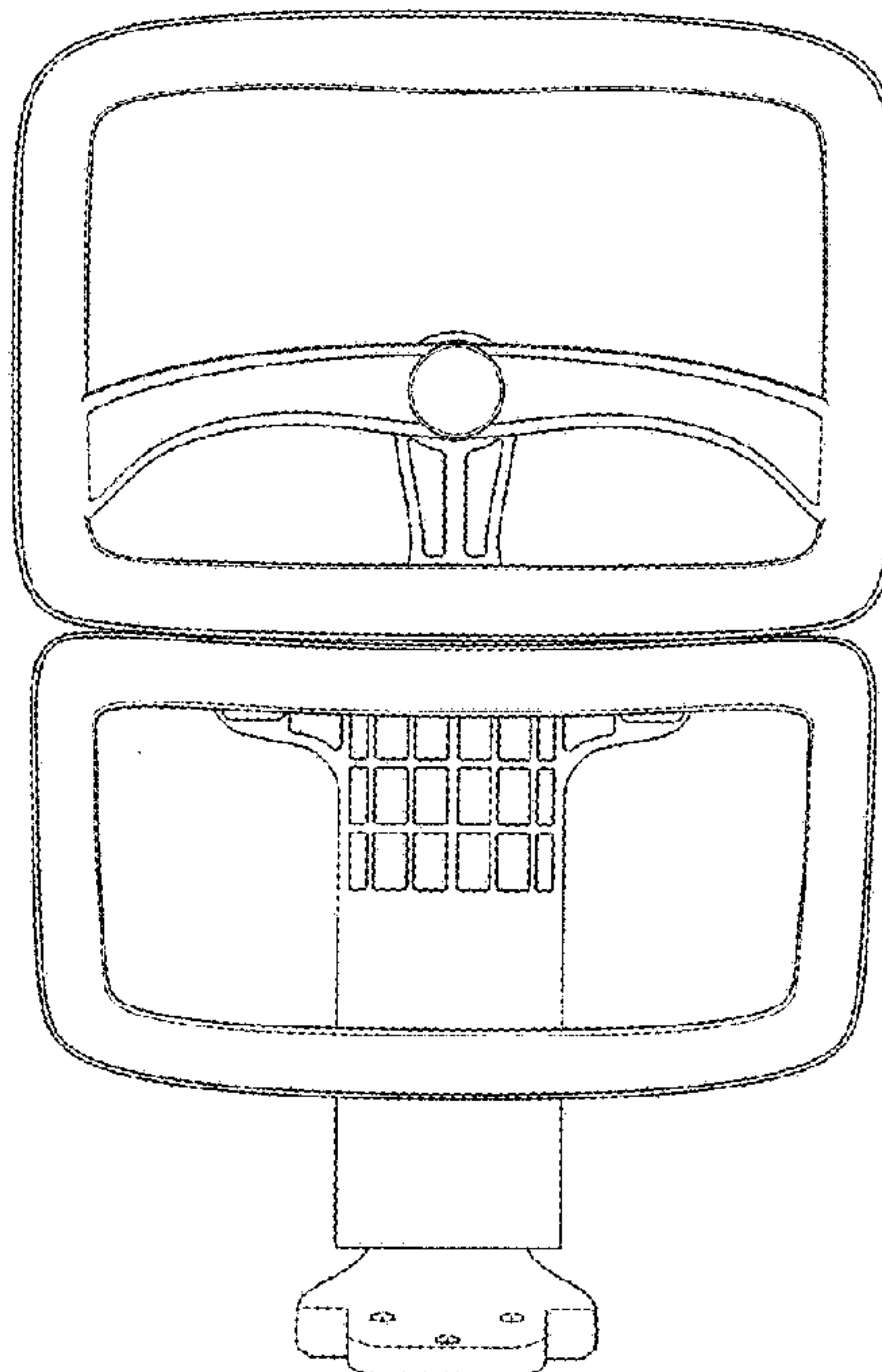
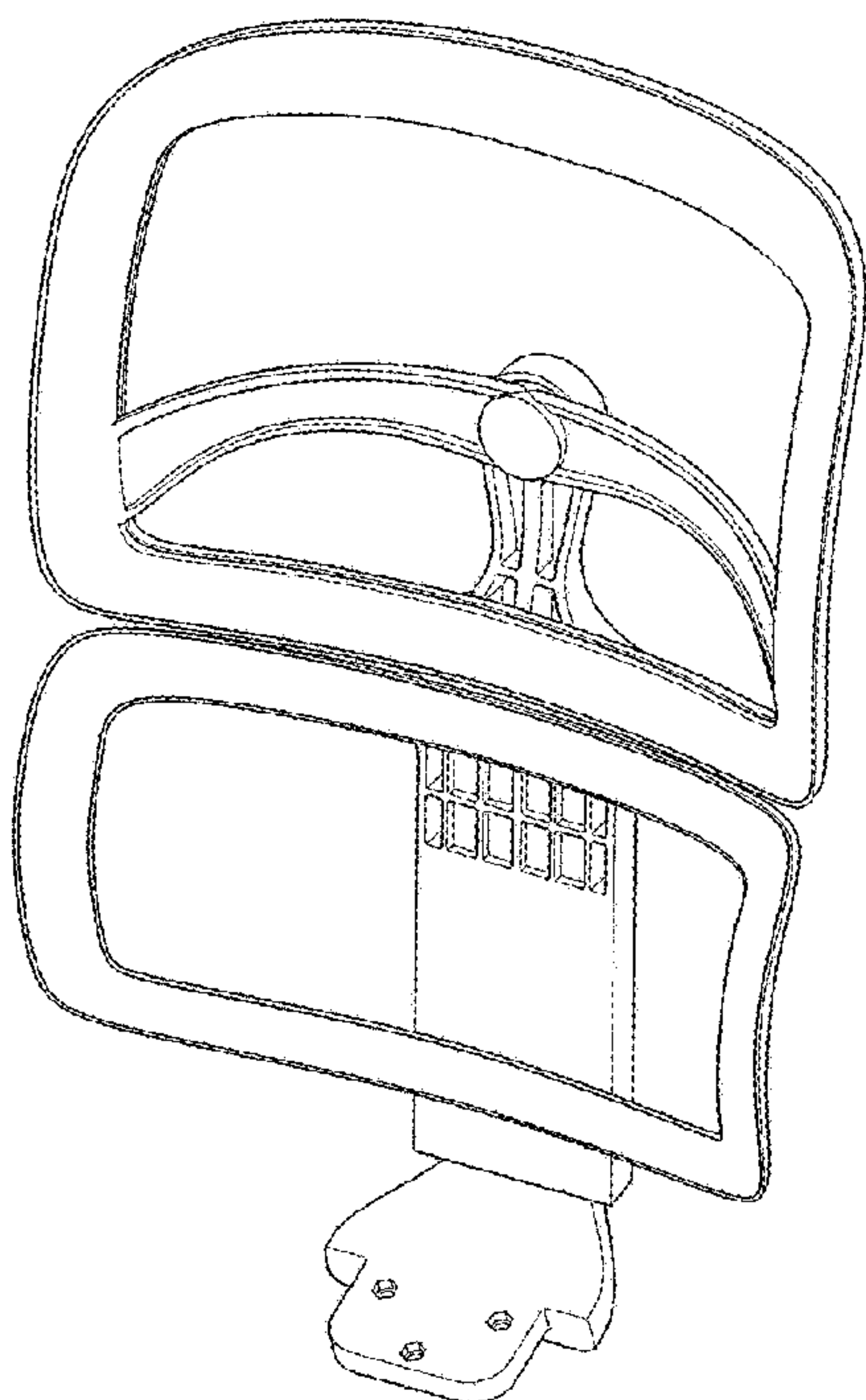
**DESCRIPTION**

FIG. 1 is a perspective view of a chair back frame, showing my new design;  
FIG. 2 is a front elevational view thereof;  
FIG. 3 is a rear elevational view thereof;  
FIG. 4 is a left side view thereof;  
FIG. 5 is a right side view thereof;  
FIG. 6 is a top plan view thereof; and,  
FIG. 7 is a bottom plan view thereof.

**1 Claim, 5 Drawing Sheets**

(56) **References Cited**  
U.S. PATENT DOCUMENTS

6,843,530 B1 *	1/2005	Wu	.....	A47C 7/405
				297/284.3
D501,333 S *	2/2005	Piretti	.....	D6/716
6,938,956 B1 *	9/2005	Piretti	.....	A47C 7/402
				297/230.14



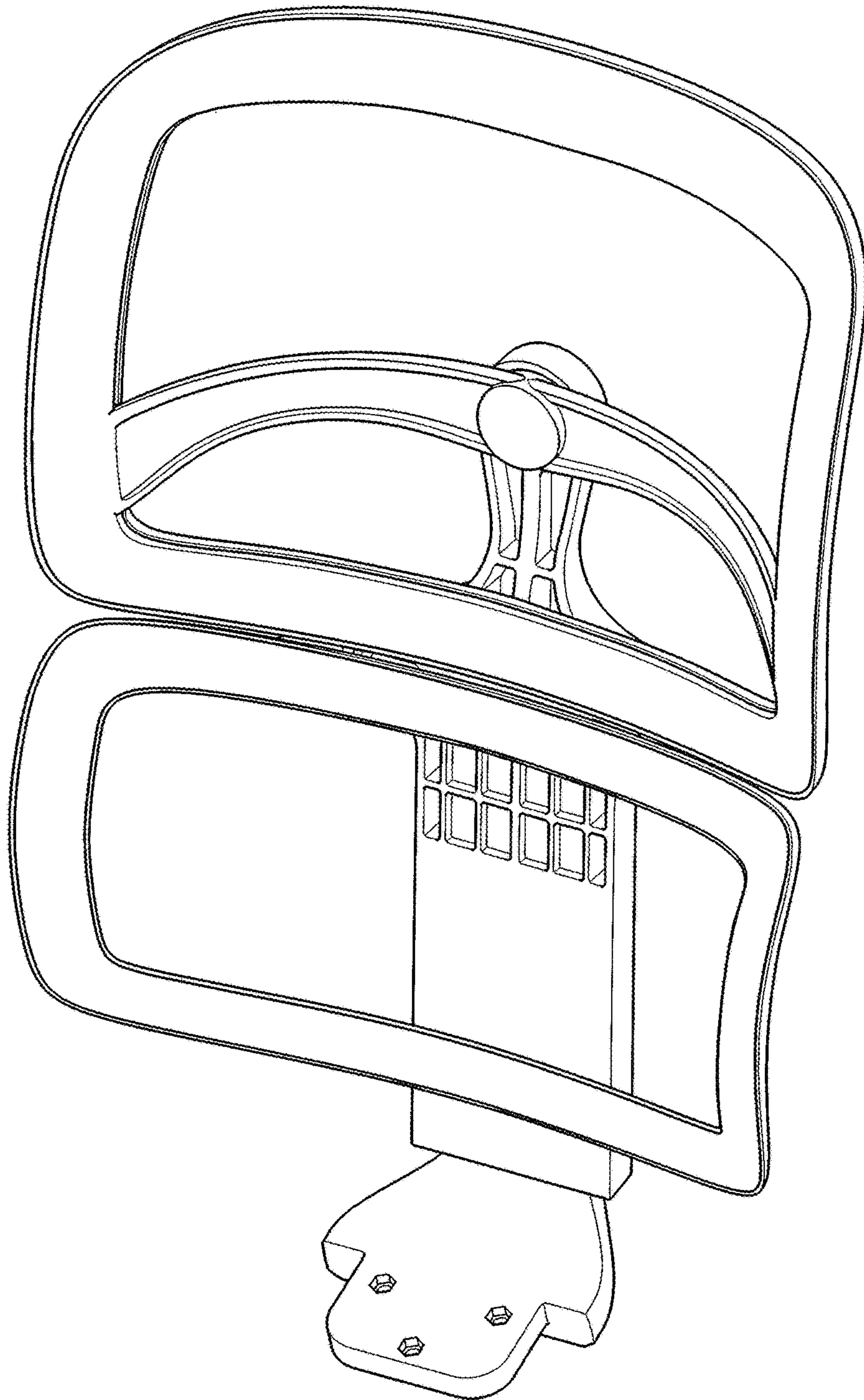


FIG. 1

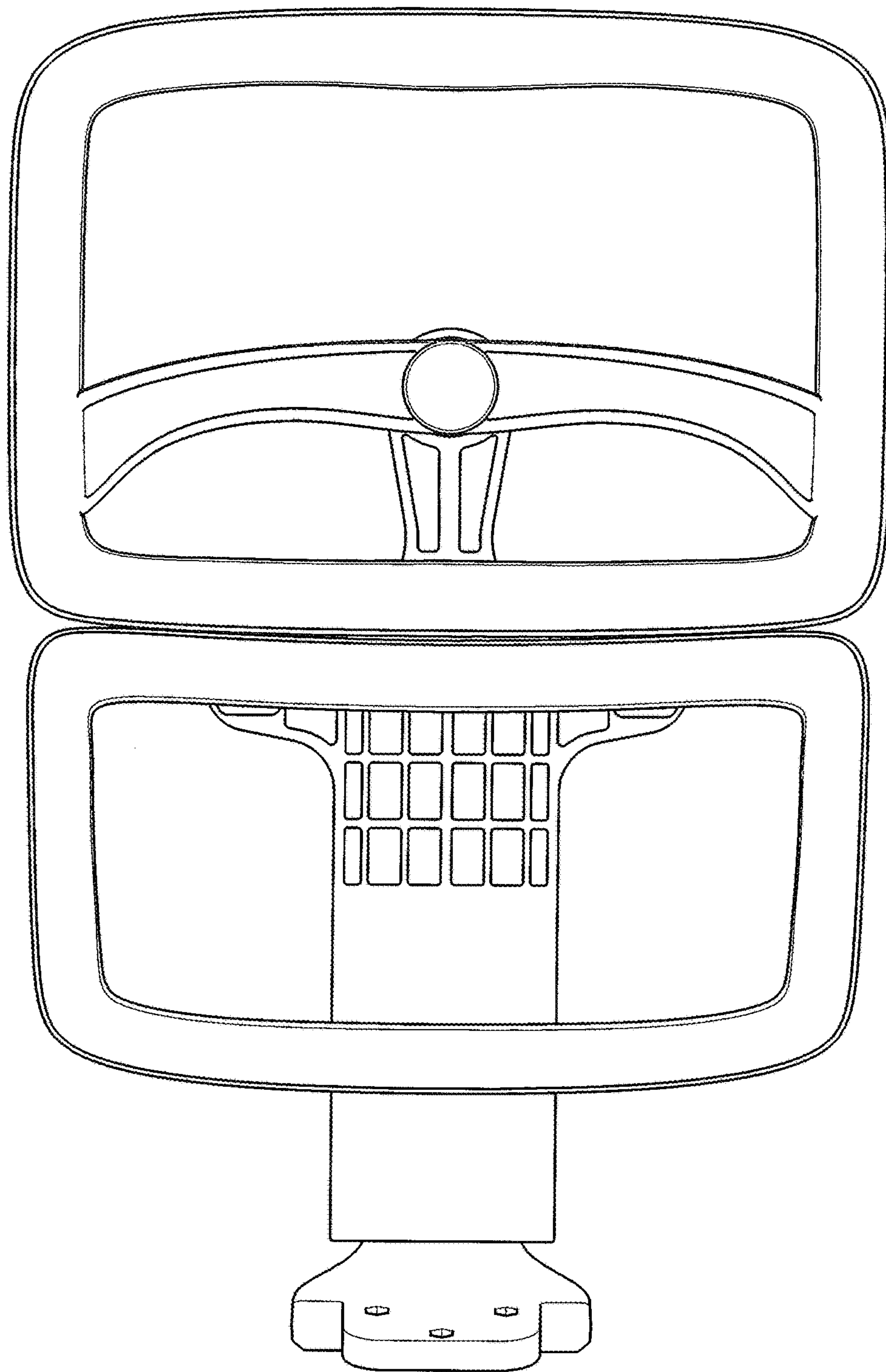


FIG. 2



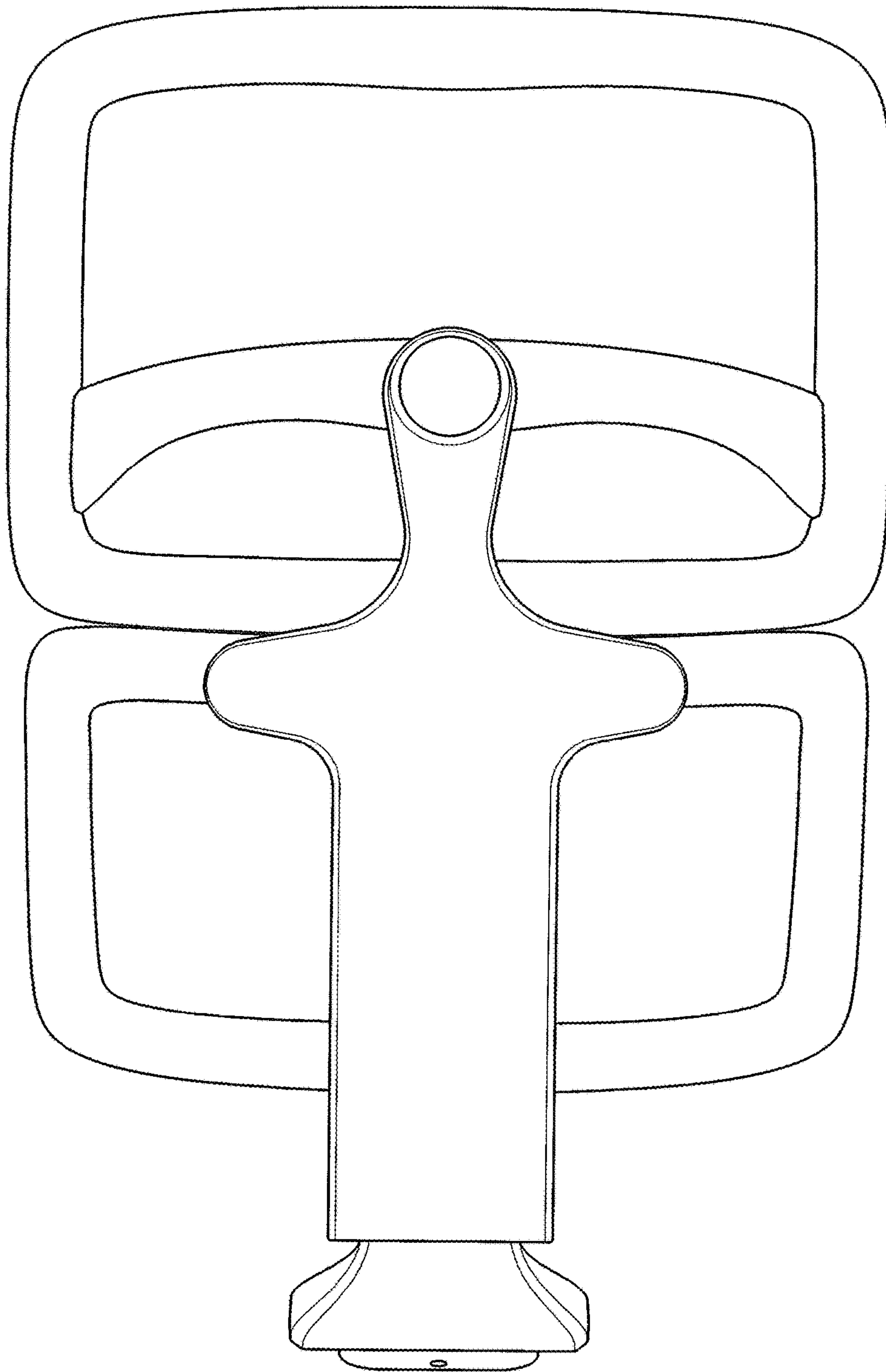


FIG. 3

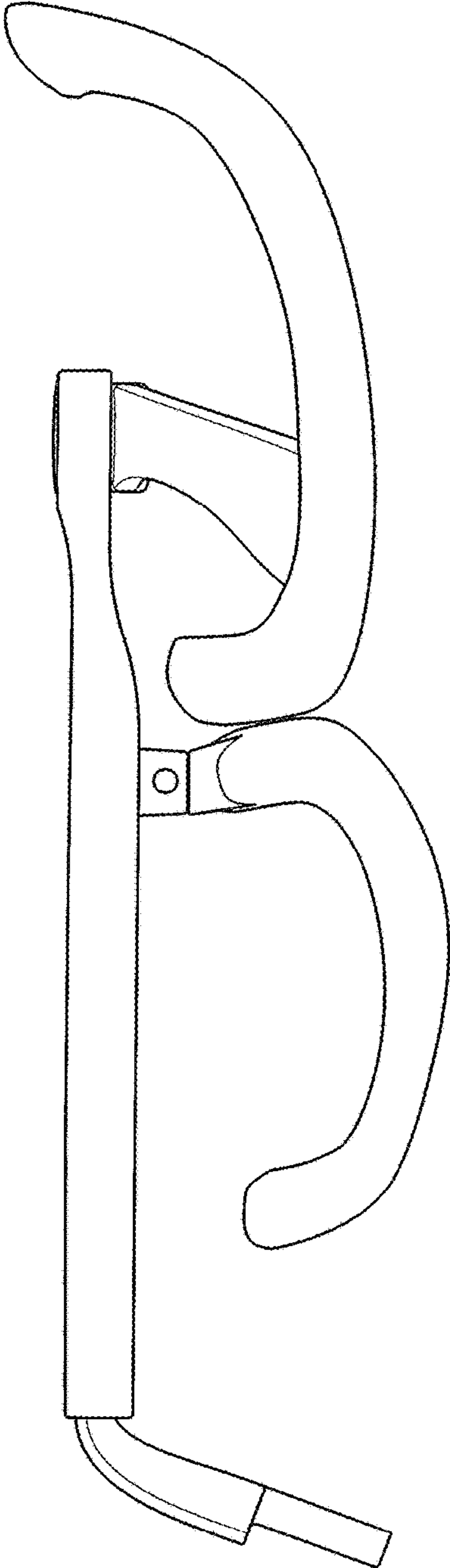


FIG. 4

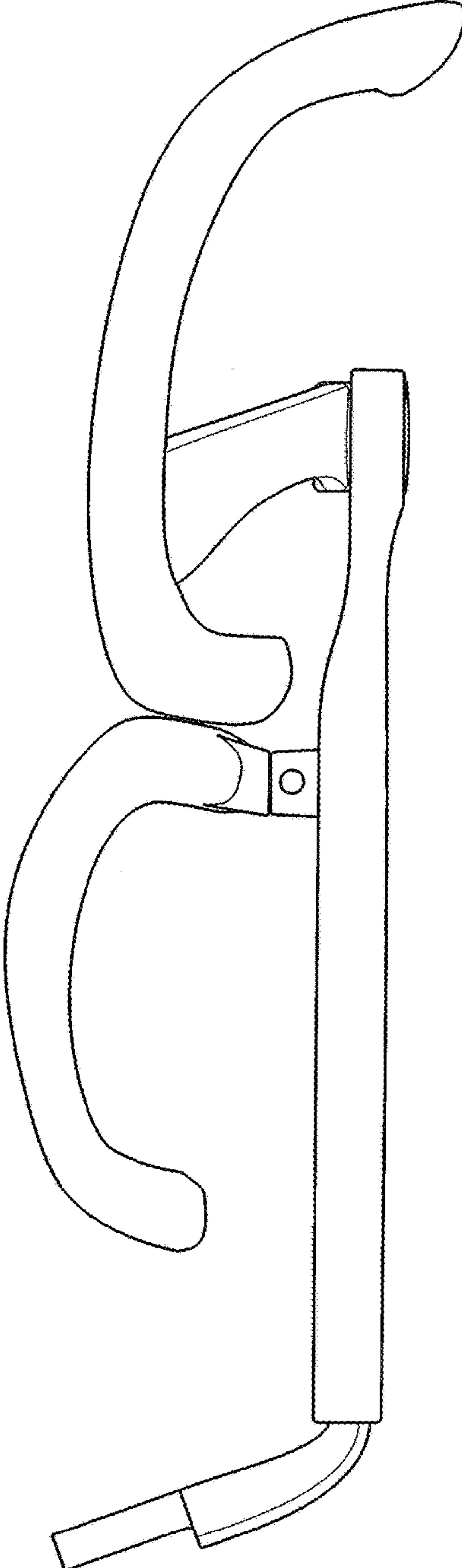


FIG. 5

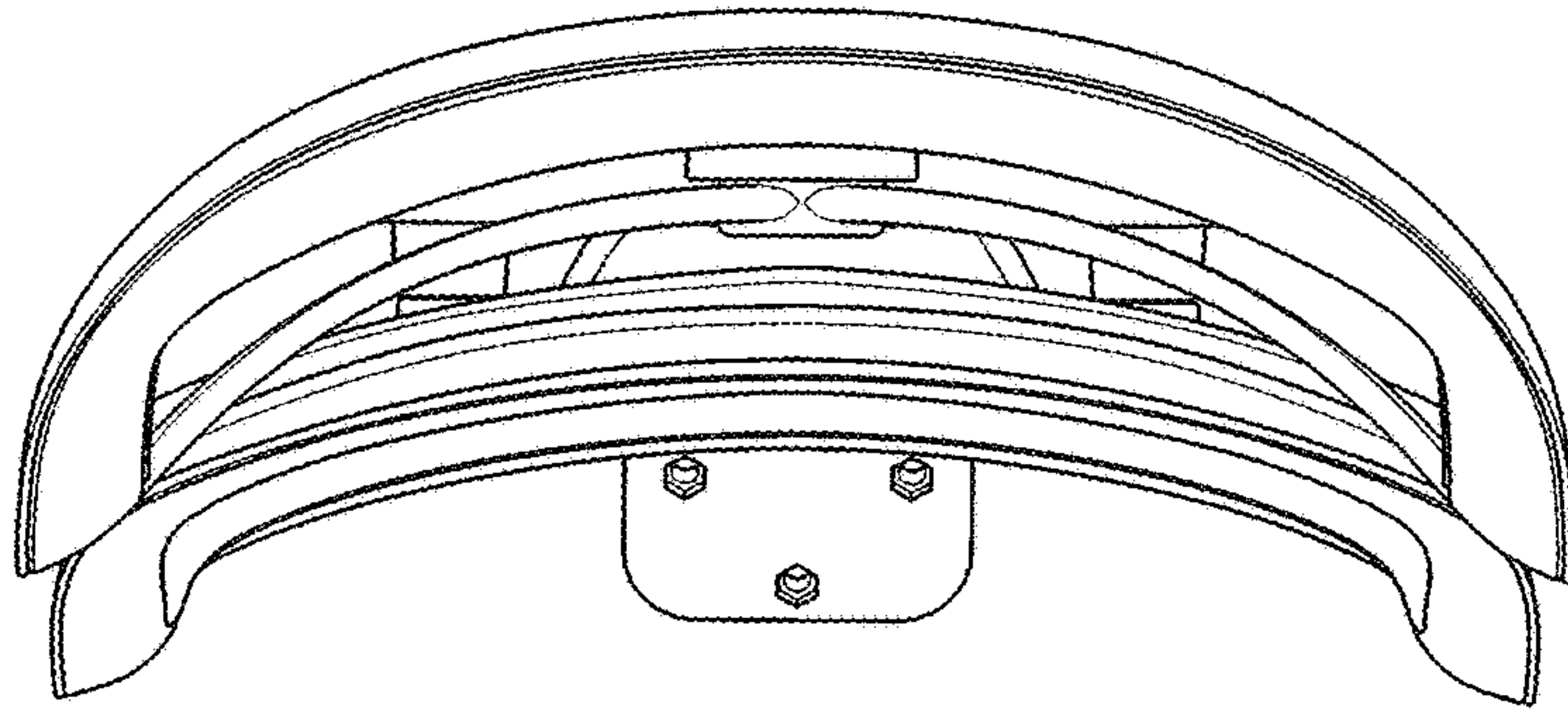


FIG. 6

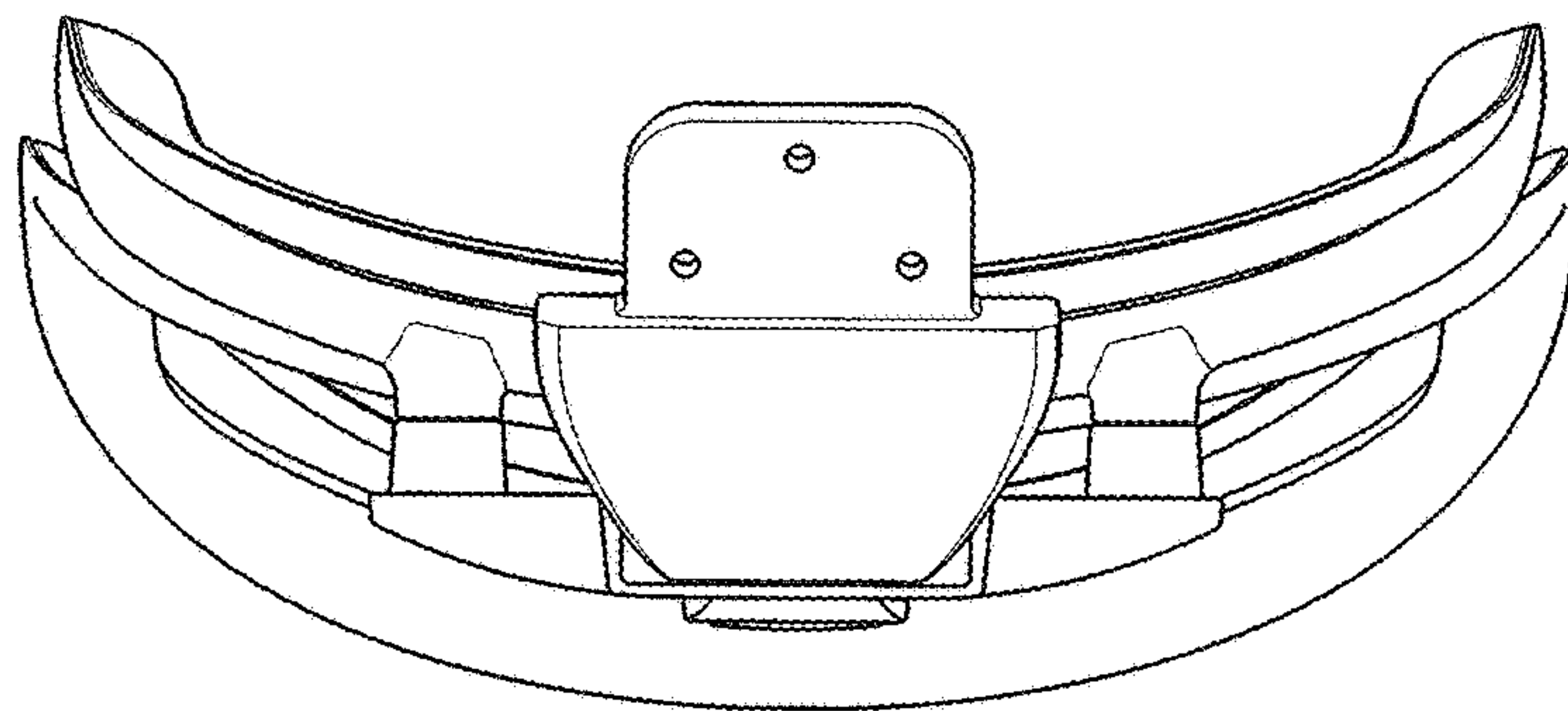


FIG. 7