



US00D793141S

(12) **United States Design Patent**
Igarashi

(10) **Patent No.:** **US D793,141 S**

(45) **Date of Patent:** **** Aug. 1, 2017**

(54) **CHAIR**

(71) Applicant: **OKAMURA CORPORATION**,
Yokohama-shi, Kanagawa (JP)

(72) Inventor: **Ryou Igarashi**, Yokohama (JP)

(73) Assignee: **Okamura Corporation**, Kanagawa (JP)

(**) Term: **15 Years**

(21) Appl. No.: **29/557,872**

(22) Filed: **Mar. 14, 2016**

(30) **Foreign Application Priority Data**

Sep. 28, 2015 (JP) 2015-021184

(51) **LOC (10) Cl.** **06-01**

(52) **U.S. Cl.**
USPC **D6/716.4**

(58) **Field of Classification Search**
USPC D6/334-336, 366, 367, 369, 379, 380,
D6/716, 716.1, 716.2, 716.4
CPC A47C 7/16; A47C 7/40; A47C 7/46; A47C
7/022; A47C 7/282; A47C 7/285; A47C
3/20; A47C 7/002
See application file for complete search history.

(56) **References Cited**

U.S. PATENT DOCUMENTS

D558,995 S * 1/2008 Igarashi D6/366
D559,572 S * 1/2008 Igarashi D6/366

D567,521 S * 4/2008 Igarashi D6/366
D671,330 S * 11/2012 Izawa D6/366
D671,331 S * 11/2012 Izawa D6/366
D671,332 S * 11/2012 Izawa D6/366
D671,759 S * 12/2012 Hurford D6/366
D701,068 S * 3/2014 Usumoto D6/716
2011/0074202 A1 * 3/2011 Su A47C 7/40
297/452.46

* cited by examiner

Primary Examiner — Mimoso De

(74) *Attorney, Agent, or Firm* — Sughrue Mion, PLLC

(57) **CLAIM**

The ornamental design for a chair, as shown and described.

DESCRIPTION

FIG. 1 is a perspective view from the front side of a chair. FIG. 2 is a perspective view from the rear side thereof. FIG. 3 is a front elevation view thereof. FIG. 4 is a rear elevation view thereof. FIG. 5 is a right side elevation view thereof. FIG. 6 is a left side elevation view thereof. FIG. 7 is a top plan view thereof; and, FIG. 8 is a bottom plan view thereof. The broken lines shown in the drawings illustrate portions of the chair that form no part of the claimed design.

1 Claim, 8 Drawing Sheets

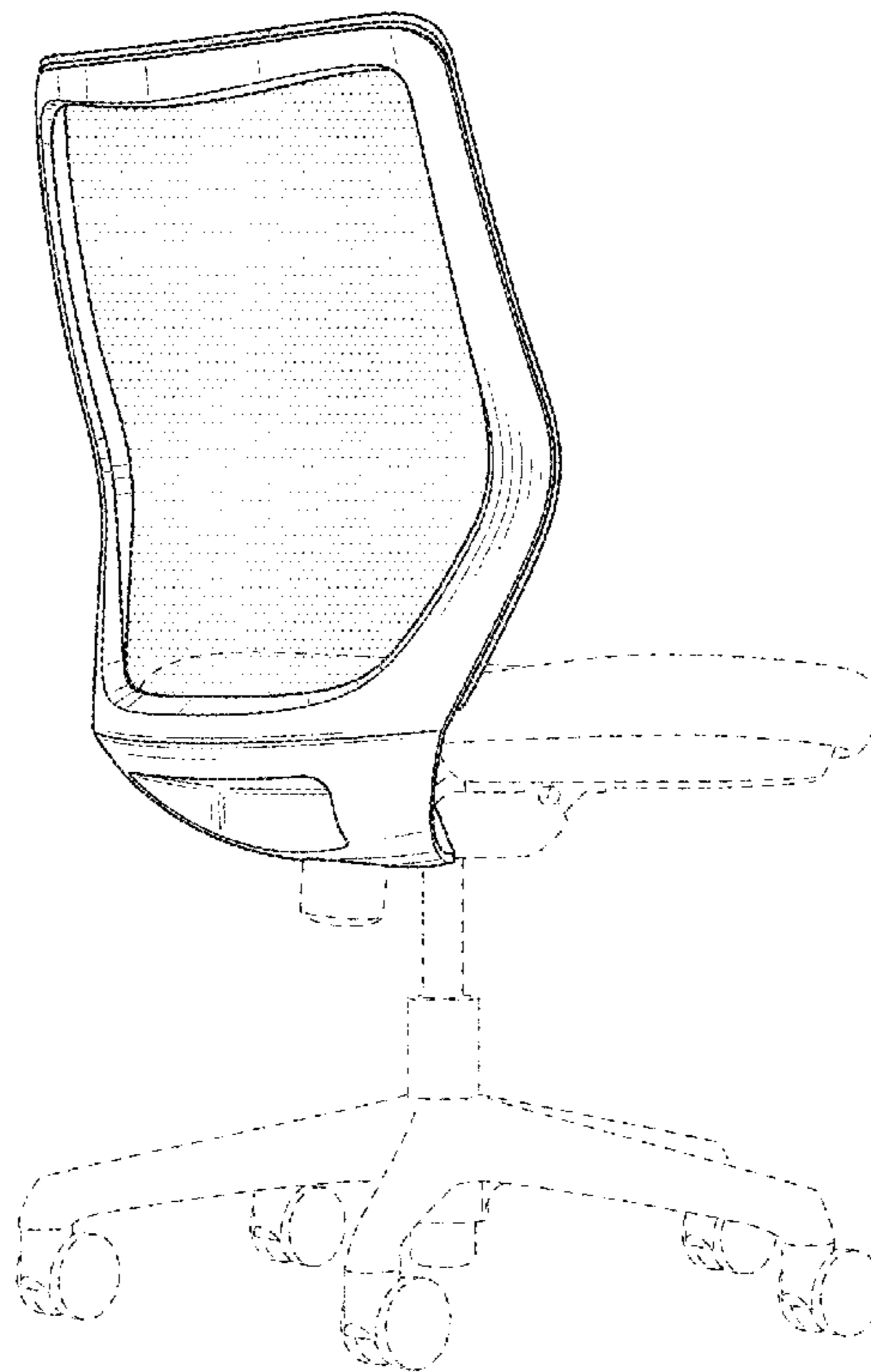
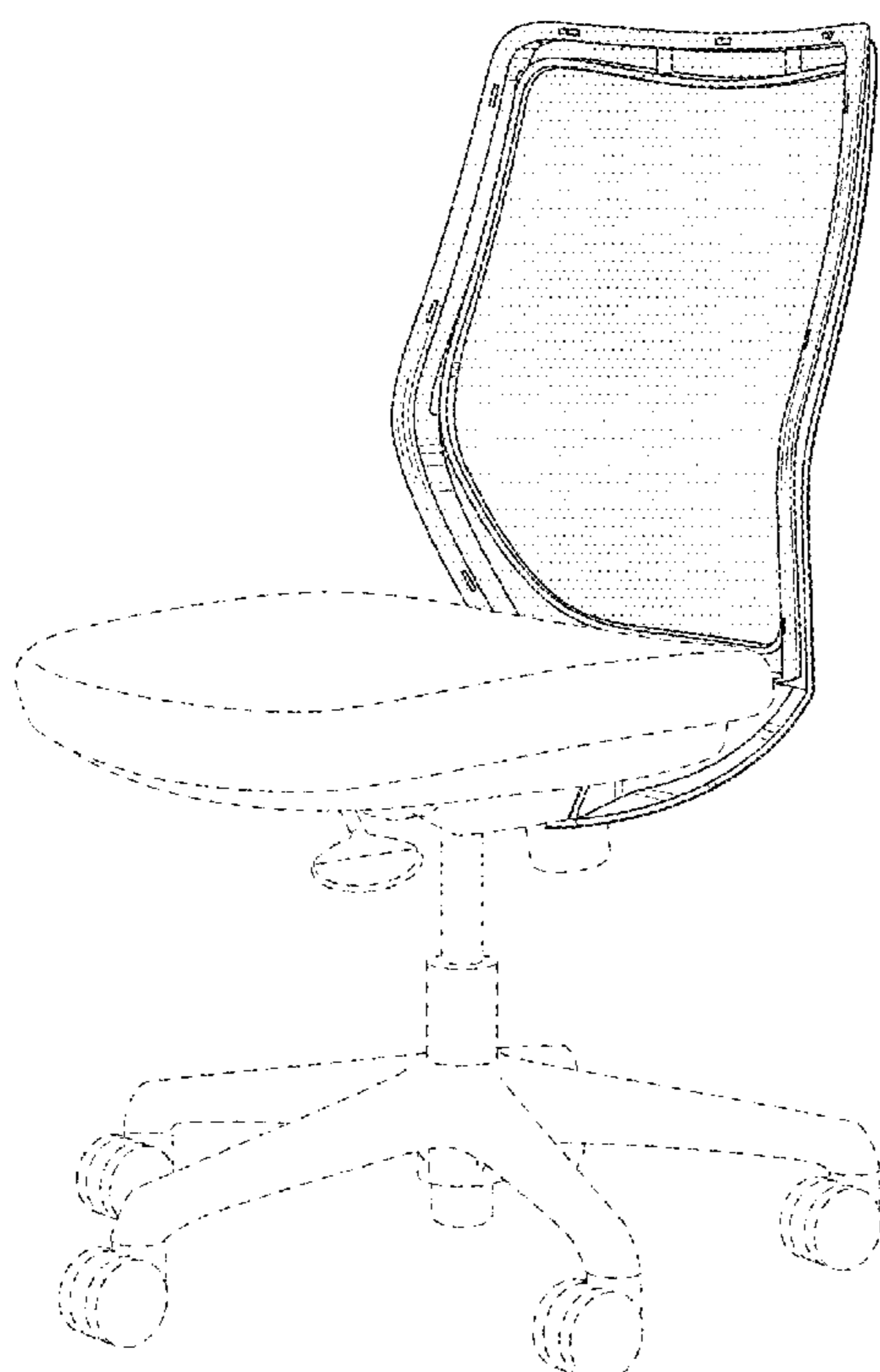


FIG. 1

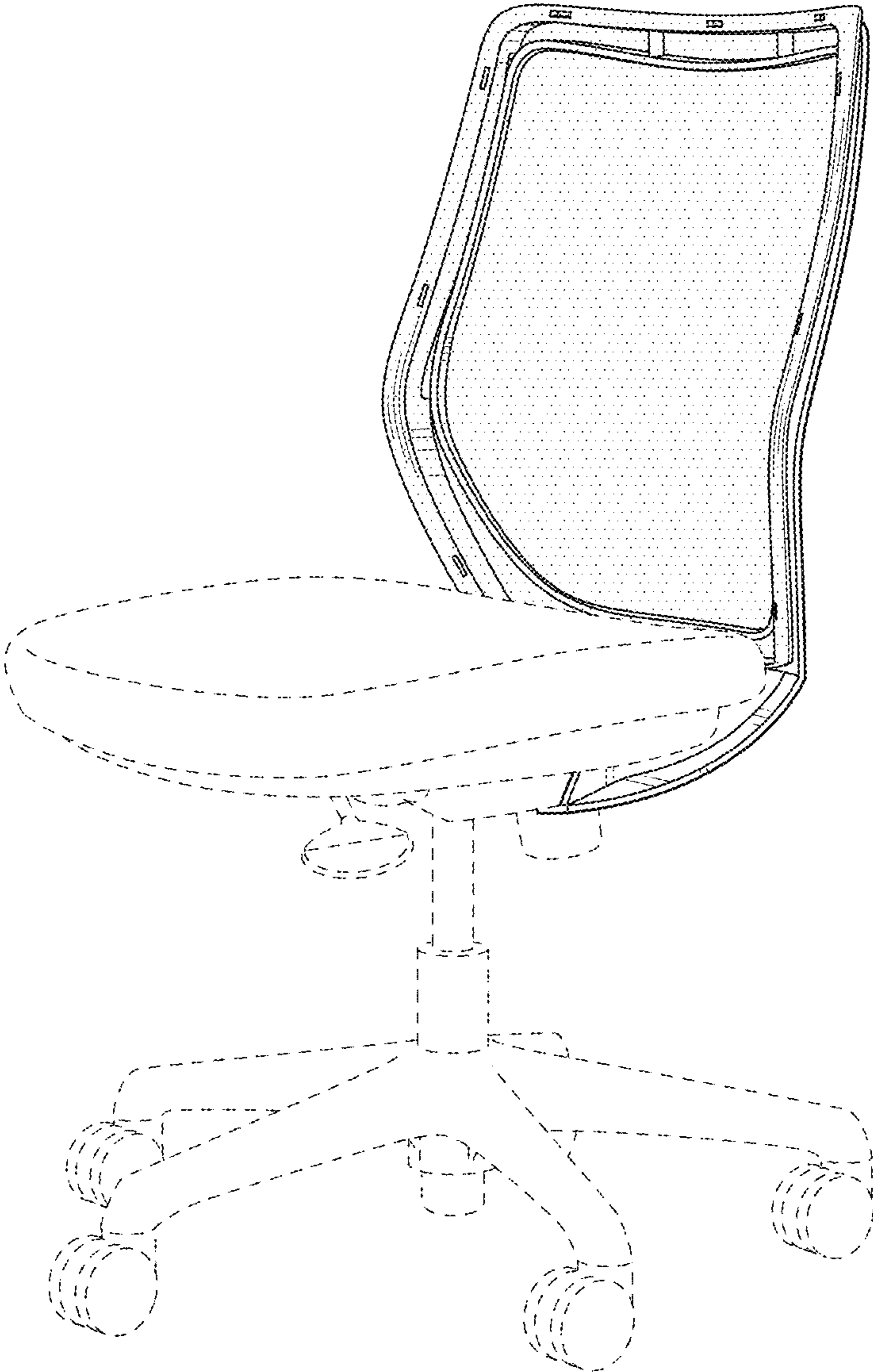


FIG. 2

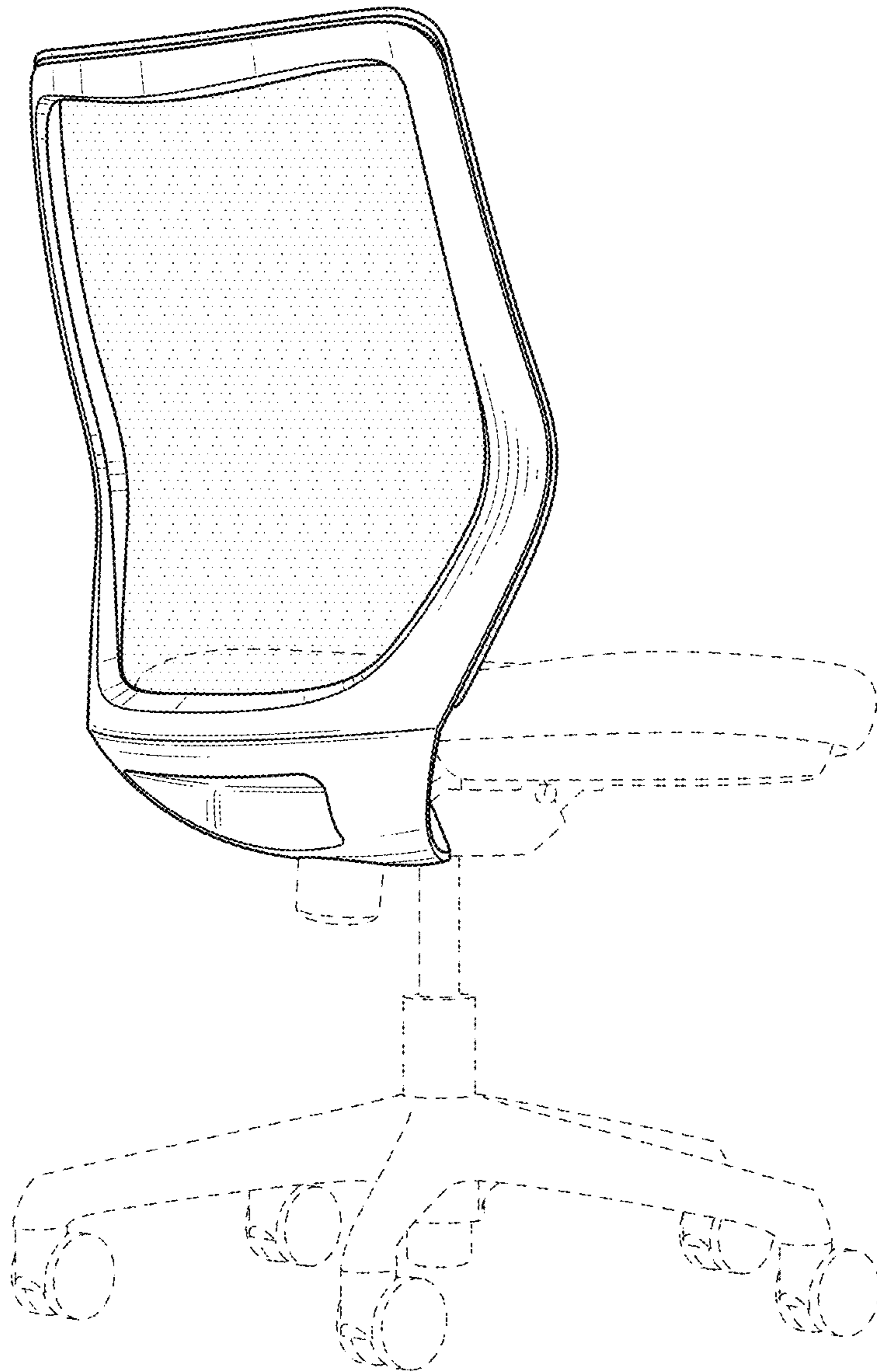


FIG. 3

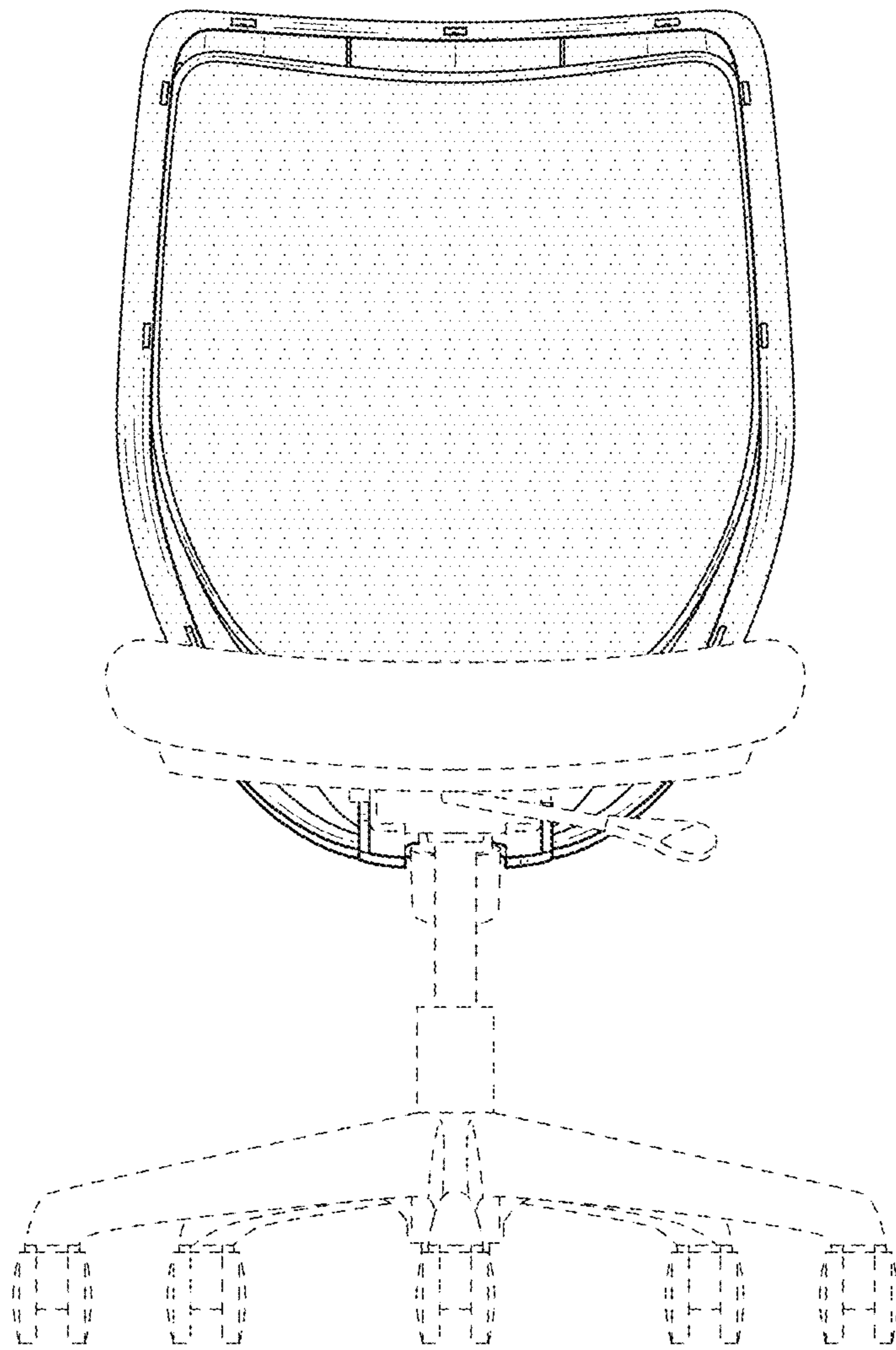


FIG. 4

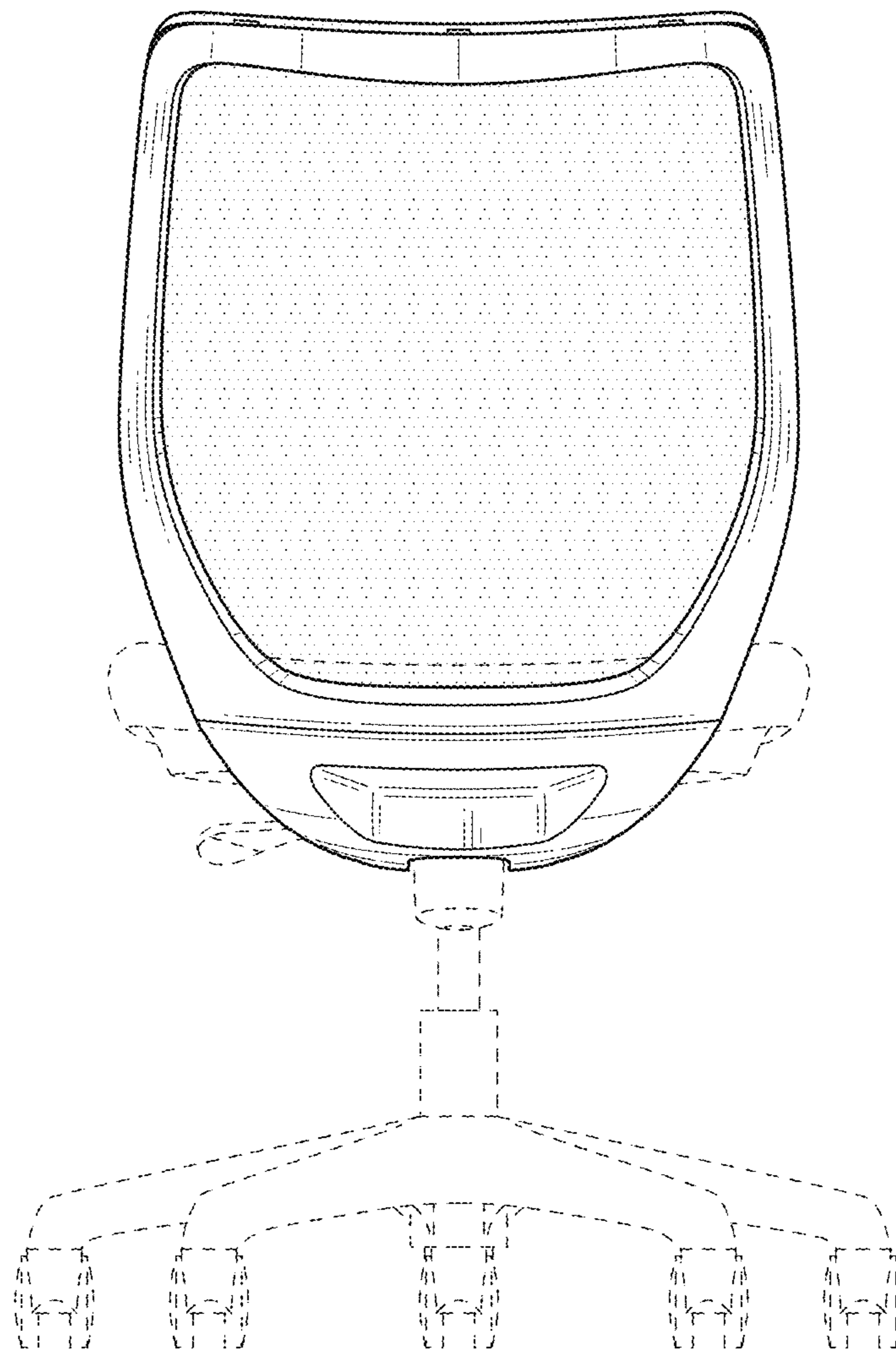


FIG. 5

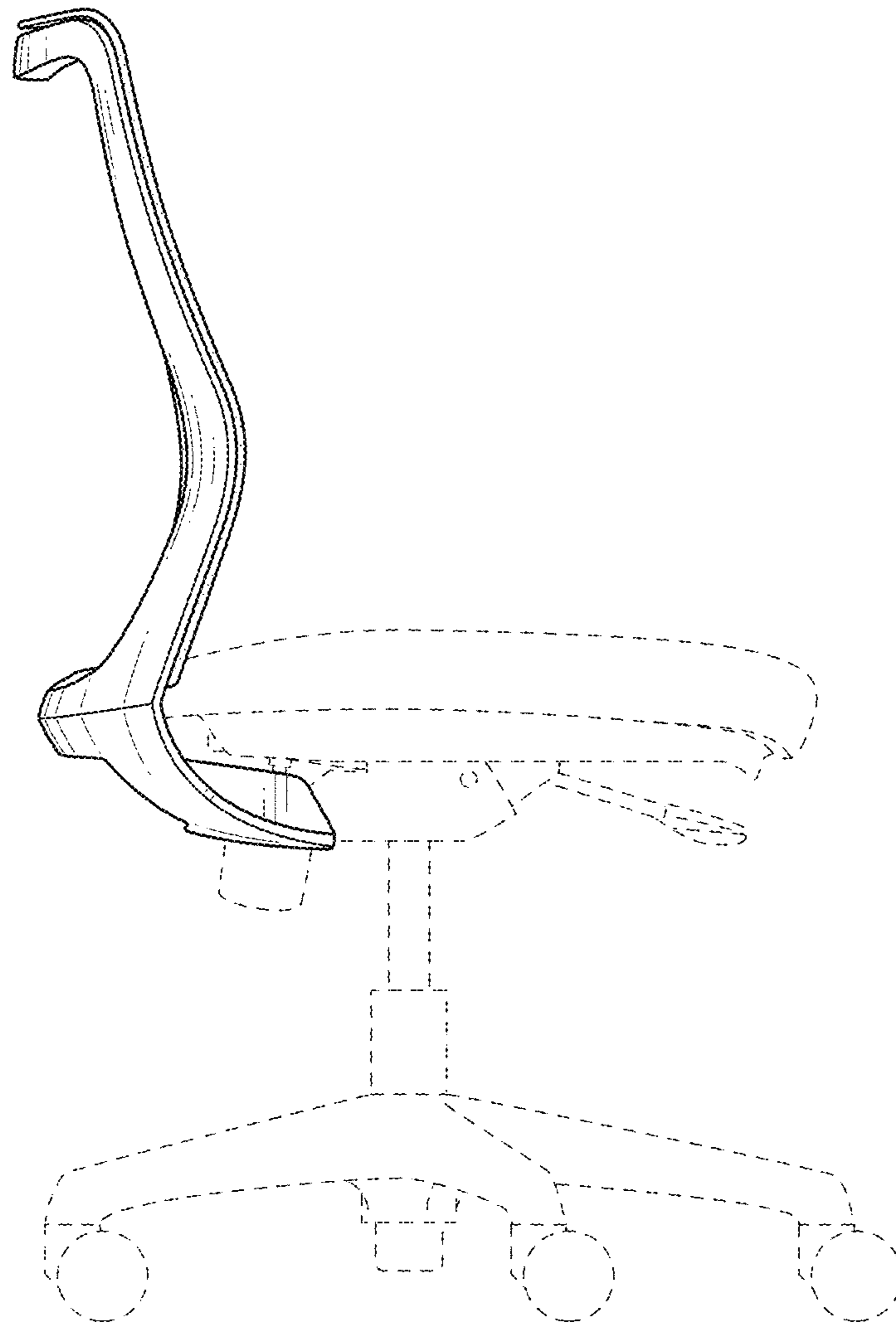


FIG. 6

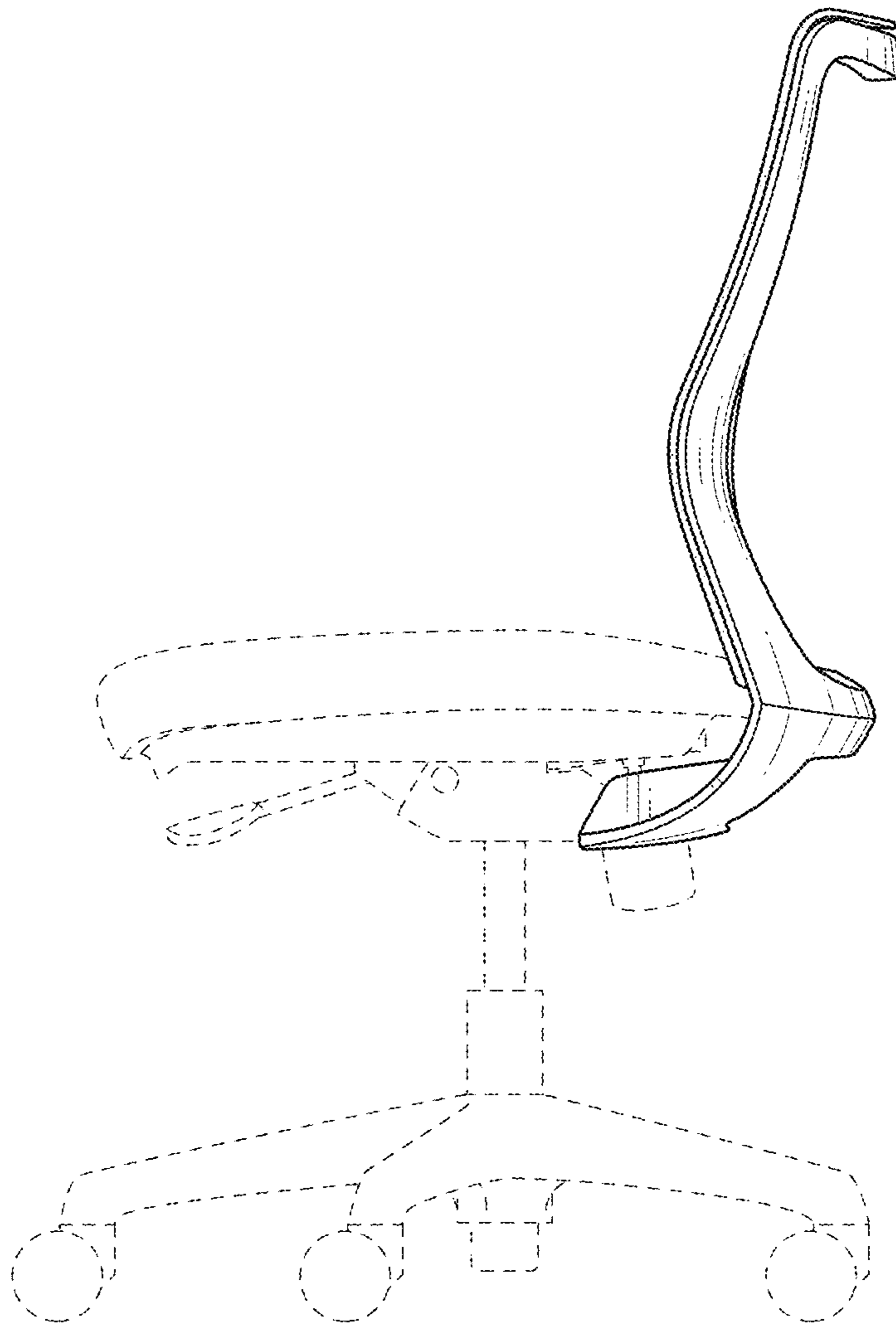


FIG. 7

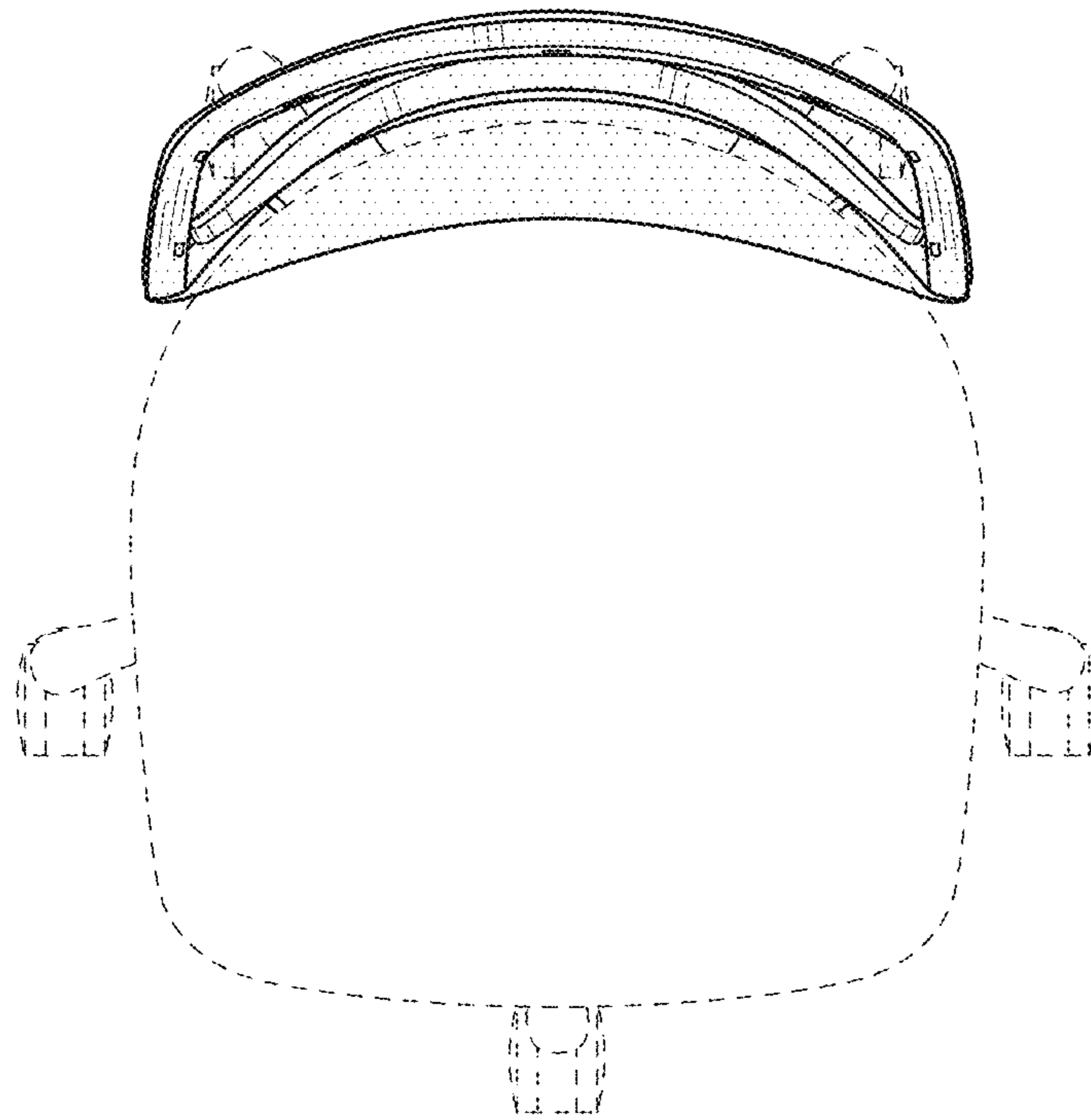


FIG. 8

