



US00D793140S

(12) **United States Design Patent**  
**Tsai**

(10) **Patent No.:** **US D793,140 S**  
(45) **Date of Patent:** **\*\* Aug. 1, 2017**

(54) **CHAIR BACK FRAME**

(71) Applicant: **ZHONGSHAN SHI SONGLIN FURNITURE CO., LTD**, Zhongshan, Guangdong Prov. (CN)

(72) Inventor: **Hsuan-Chin Tsai**, Chai-Yi Hsien (TW)

(73) Assignee: **Zhongshan Shi Songlin Furniture Co., Ltd.**, Zhongshan (CN)

(\*\*) Term: **15 Years**

(21) Appl. No.: **29/547,222**

(22) Filed: **Dec. 2, 2015**

(51) **LOC (10) Cl.** ..... **06-01**

(52) **U.S. Cl.**  
USPC ..... **D6/716.4**

(58) **Field of Classification Search**  
USPC ..... D6/334-336, 366, 367, 369, 379, 380, D6/716, 716.1, 716.2, 716.4  
CPC .... A47C 7/16; A47C 7/40; A47C 7/46; A47C 7/022; A47C 7/282; A47C 7/285; A47C 3/20; A47C 7/002

See application file for complete search history.

(56) **References Cited**

**U.S. PATENT DOCUMENTS**

D557,028 S \* 12/2007 Su ..... D6/366  
D596,884 S \* 7/2009 Wen ..... D6/366

7,604,299 B2 \* 10/2009 Su ..... A47C 7/40 297/452.18  
D687,660 S \* 8/2013 Hsuan-Chin ..... D6/366  
D708,882 S \* 7/2014 Hsuan-Chin ..... D6/716.4  
D770,212 S \* 11/2016 Tsai ..... D6/716.4  
D774,346 S \* 12/2016 Tsai ..... D6/716.4

\* cited by examiner

*Primary Examiner* — Mimoso De

(74) *Attorney, Agent, or Firm* — Alan D. Kamrath; Kamrath IP Lawfirm, P.A.

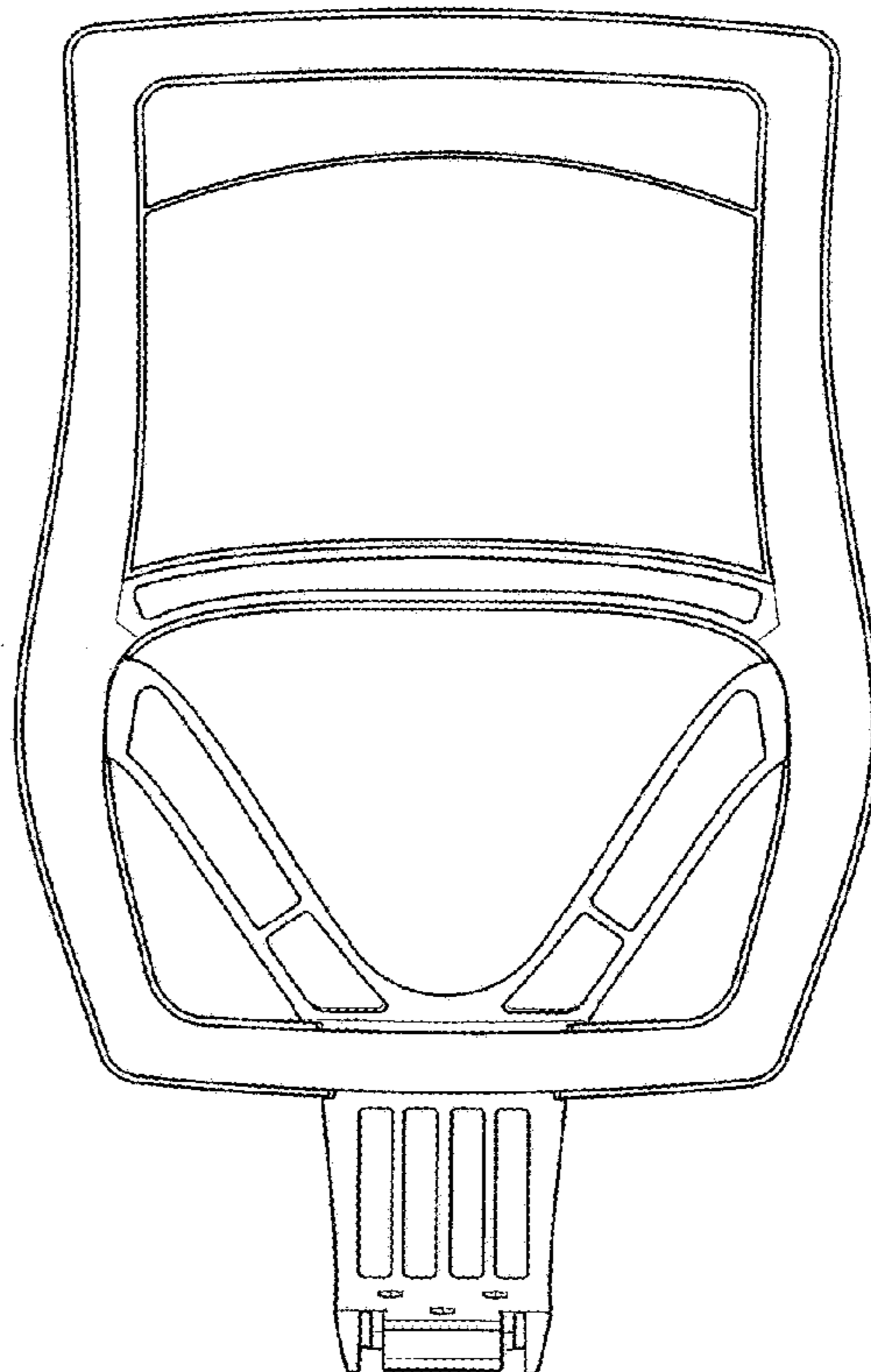
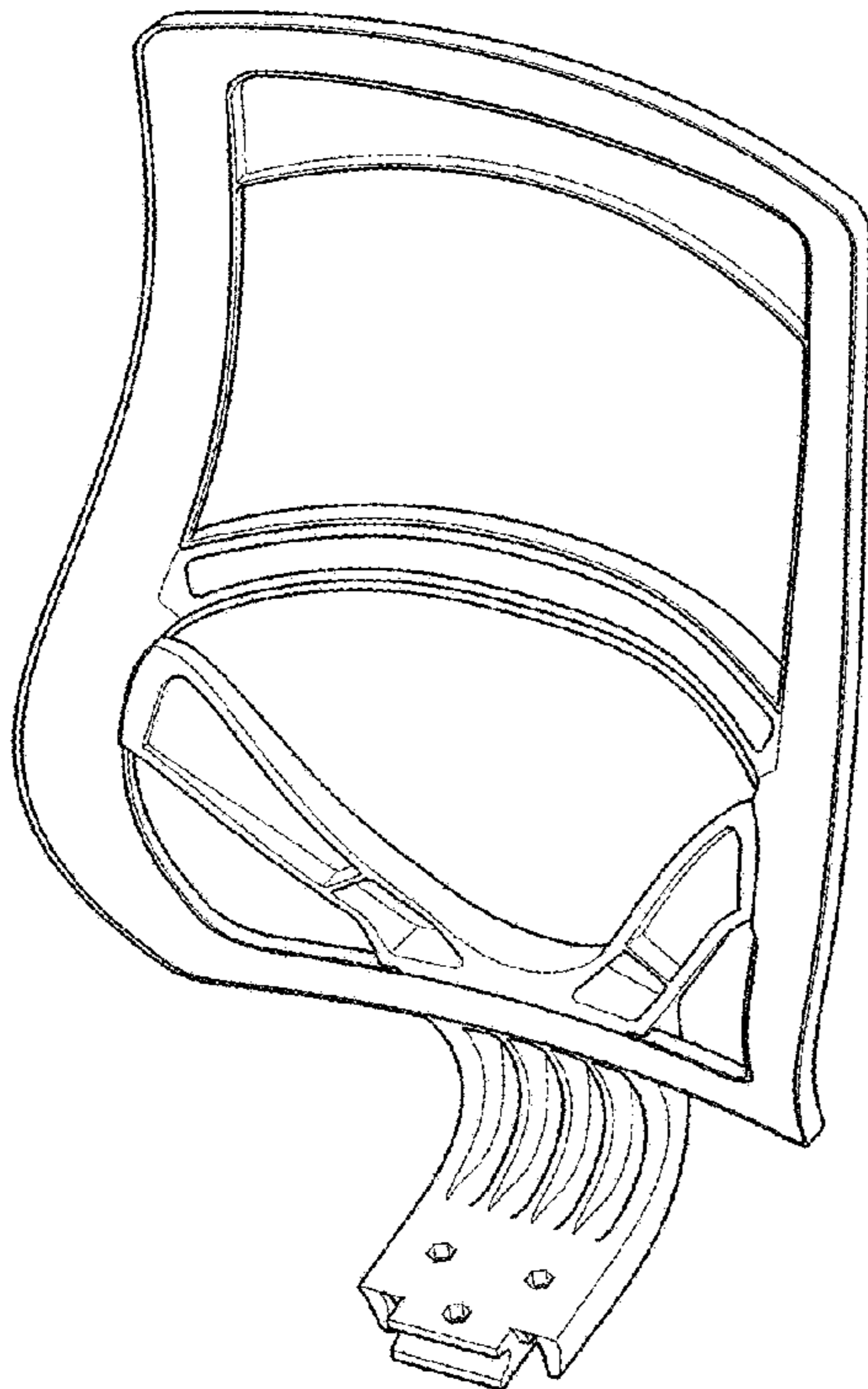
(57) **CLAIM**

The ornamental design for a chair back frame, as shown and described.

**DESCRIPTION**

FIG. 1 is a perspective view of a chair back frame, showing my new design;  
FIG. 2 is a front elevational view thereof;  
FIG. 3 is a rear elevational view thereof;  
FIG. 4 is a left side view thereof;  
FIG. 5 is a right side view thereof;  
FIG. 6 is a top plan view thereof; and,  
FIG. 7 is a bottom plan view thereof.

**1 Claim, 5 Drawing Sheets**



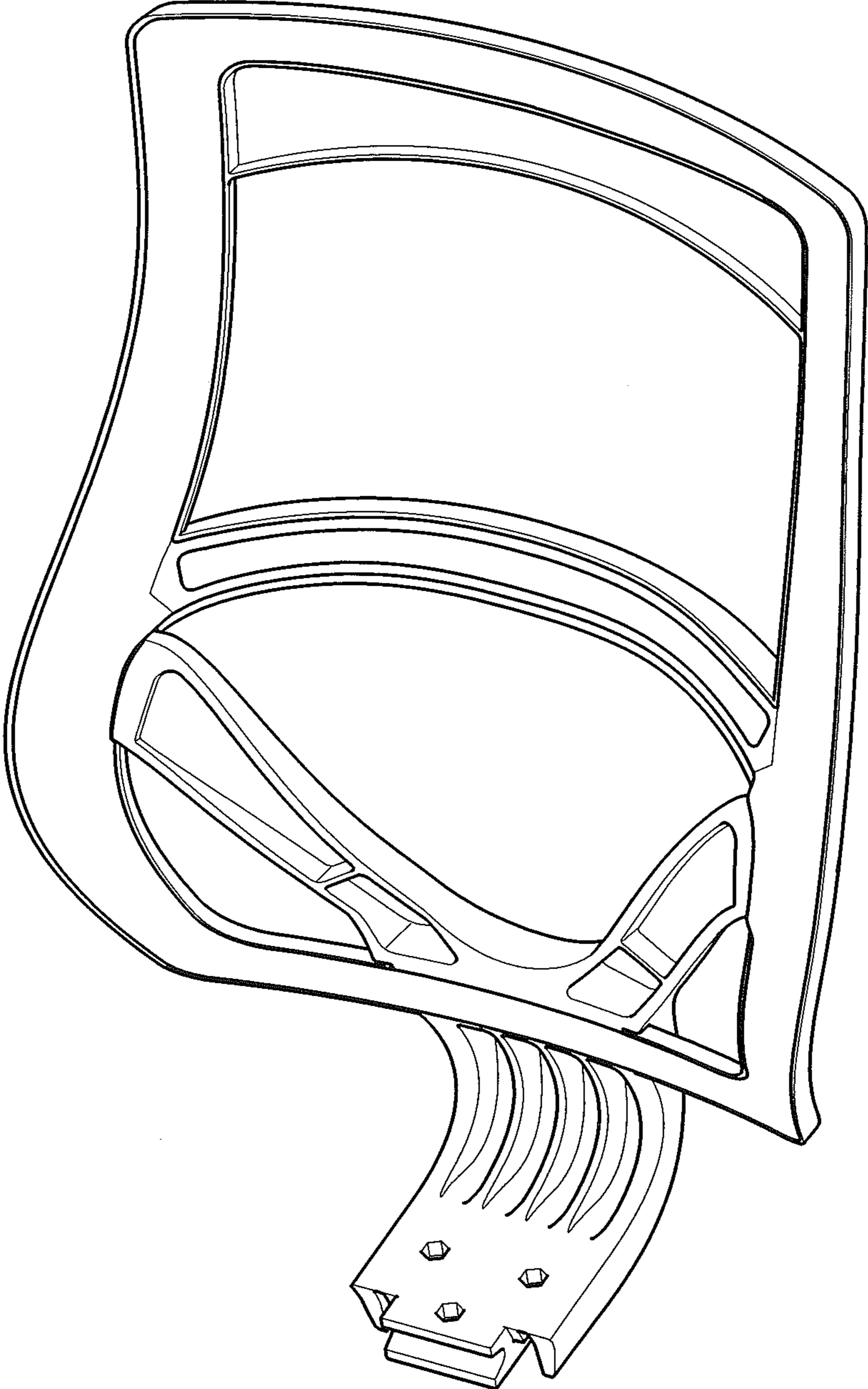


FIG. 1

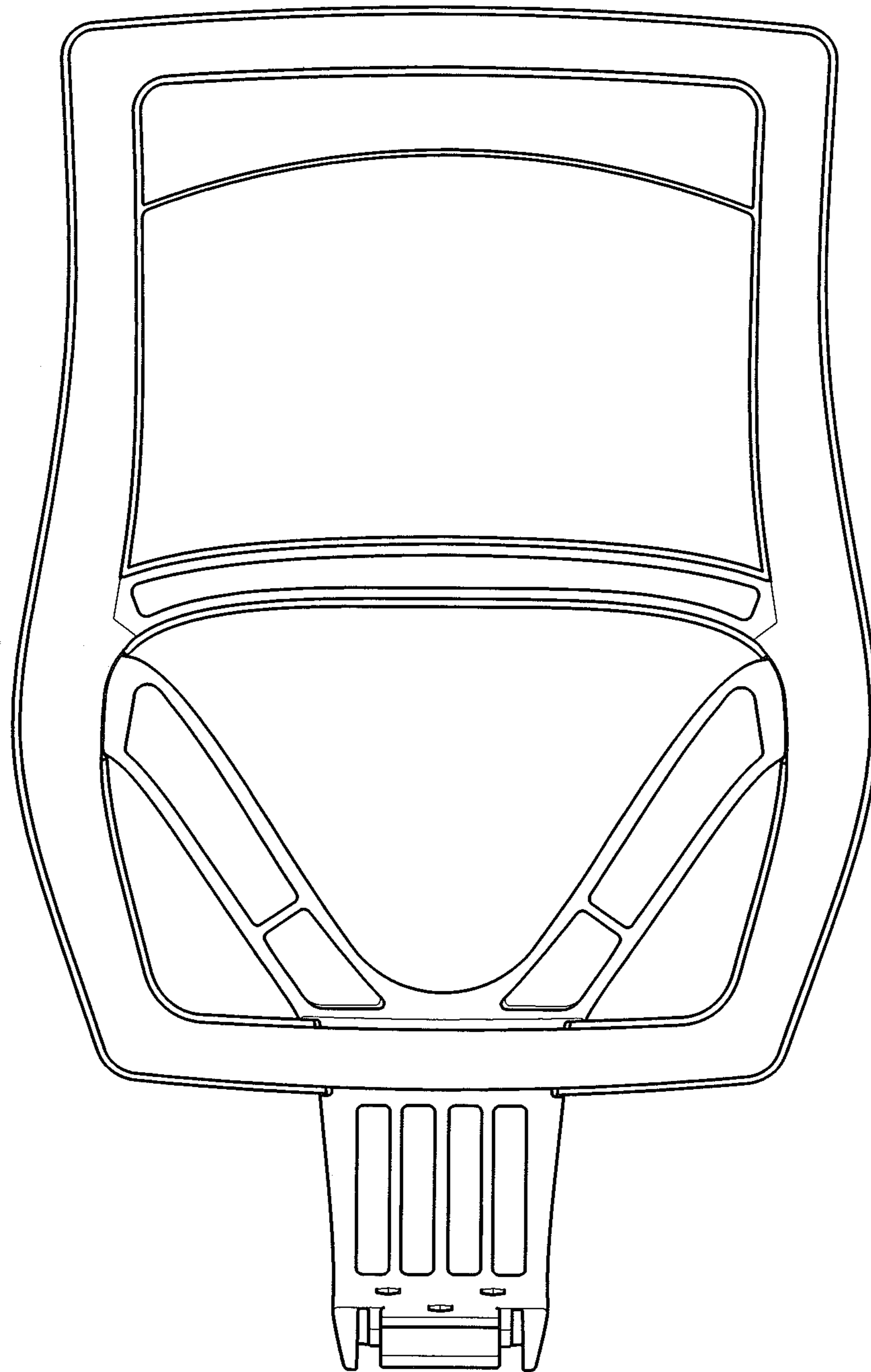


FIG. 2

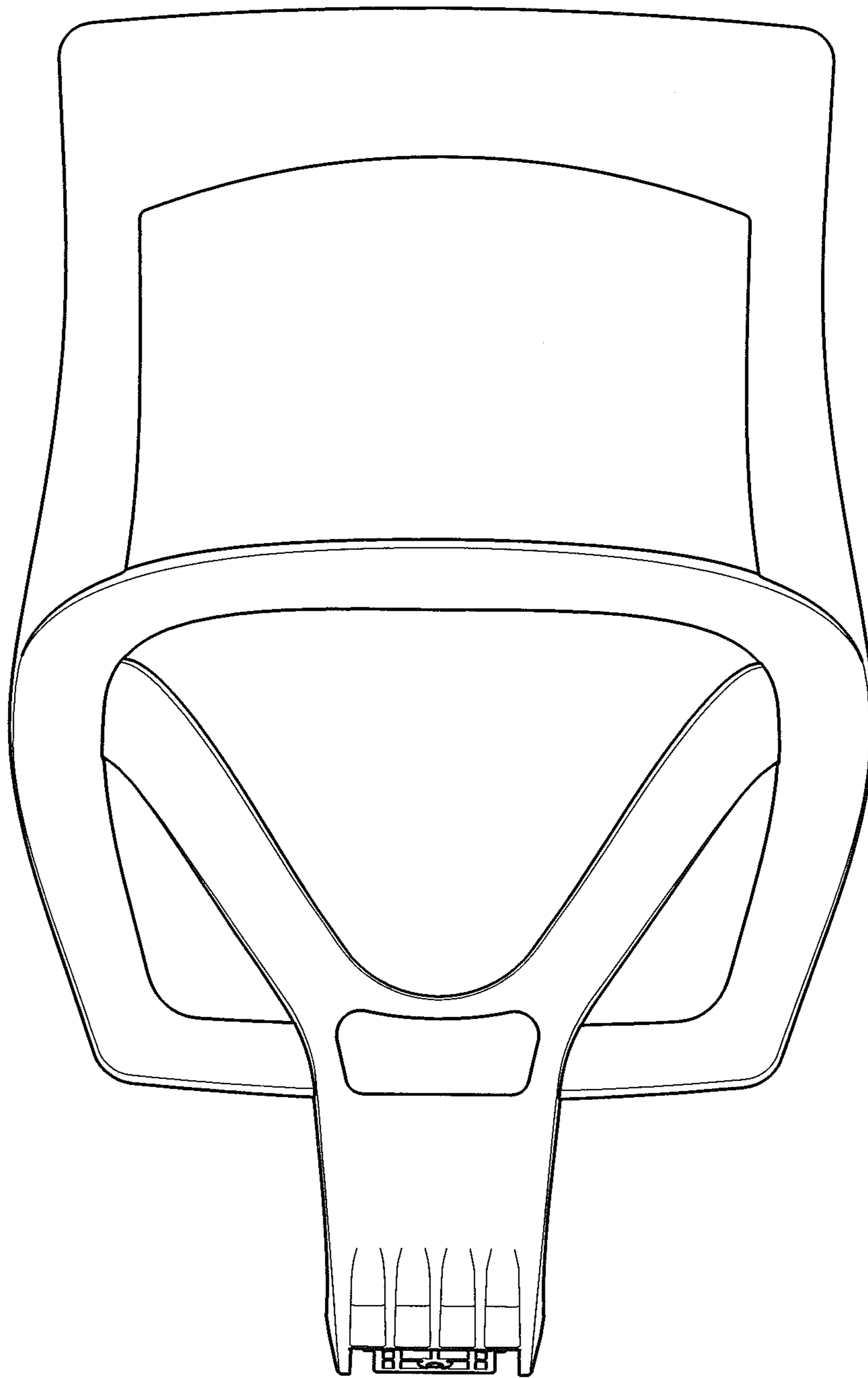


FIG. 3

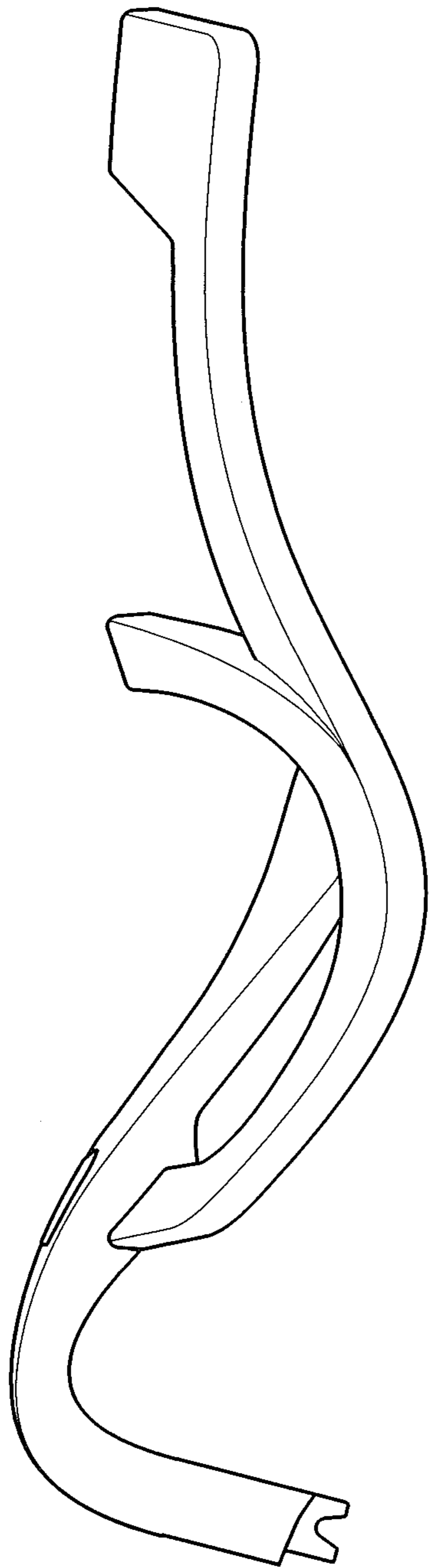


FIG. 4

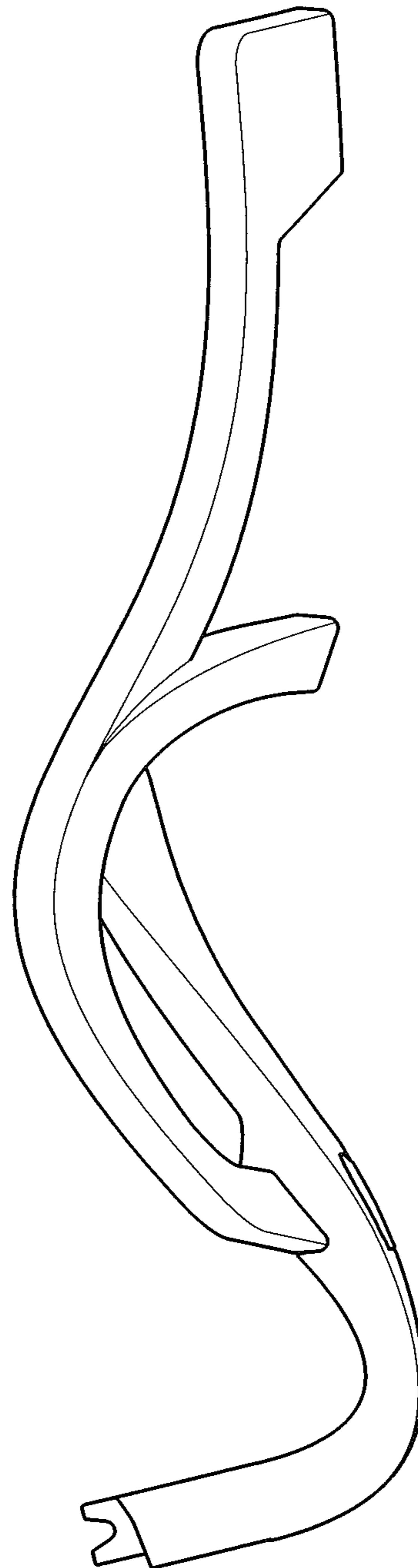


FIG. 5

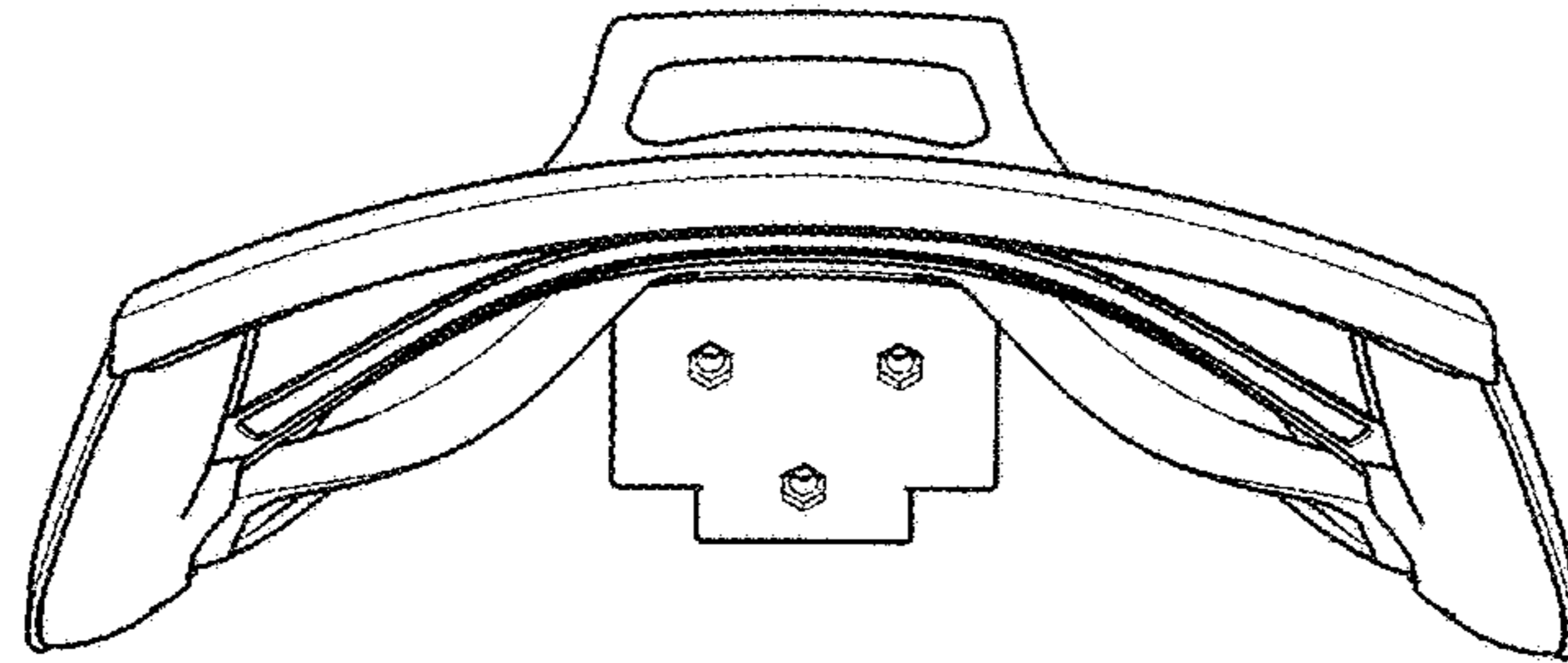


FIG. 6

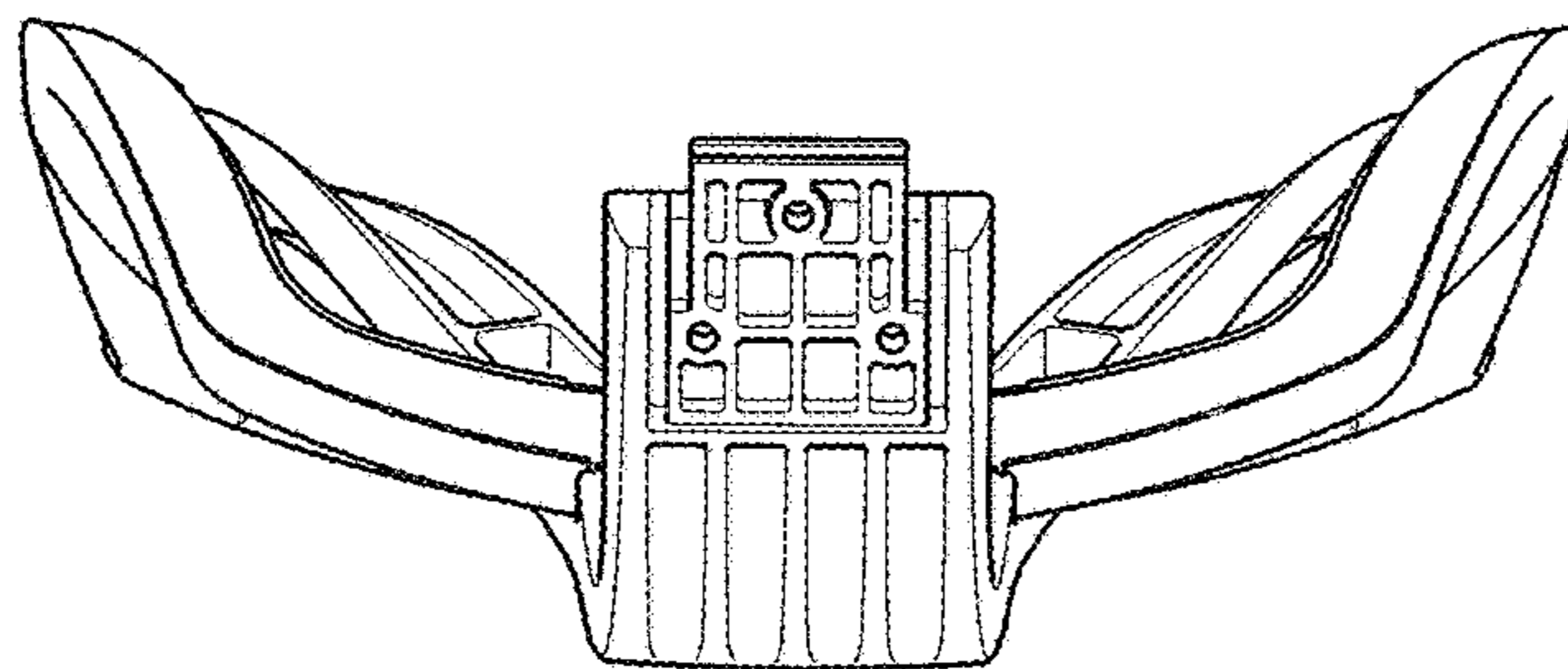


FIG. 7