



US00D793139S

(12) **United States Design Patent** (10) **Patent No.:** **US D793,139 S**  
**Lin** (45) **Date of Patent:** **\*\* Aug. 1, 2017**

(54) **SEAT AND BACKREST OF AN ERGONOMIC COLLAPSIBLE CHAIR**

5,096,259 A 3/1992 Stanfield  
5,634,684 A 6/1997 Kojima et al.  
5,718,474 A 2/1998 Kojima et al.  
5,738,408 A 4/1998 Wu

(71) Applicant: **Zhuhai Shichang Metals, Ltd., Zhuhai (CN)**

(Continued)

(72) Inventor: **ChenKang Lin, Kaonsiung (TW)**

**OTHER PUBLICATIONS**

(73) Assignee: **Zhuhai Shichang Metals Ltd., Zhuhai (CN)**

MightyLite: Durability by Design—Mesh One Folding Chair; Informational brochure; pp. 1-4.

(\*\*) Term: **15 Years**

(Continued)

(21) Appl. No.: **29/585,764**

*Primary Examiner* — Mimosa De

(22) Filed: **Nov. 29, 2016**

(74) *Attorney, Agent, or Firm* — Luedeka Neely Group PC

**Related U.S. Application Data**

(63) Continuation of application No. 29/553,508, filed on Feb. 2, 2016.

(51) **LOC (10) Cl.** ..... **06-01**

(52) **U.S. Cl.**  
USPC ..... **D6/716; D6/368**

(58) **Field of Classification Search**  
USPC ..... D6/334–336, 368, 371–373, 374, 376, D6/379, 380, 716, 716.1, 716.2, 716.3, D6/716.4  
CPC .. A47C 3/04; A47C 3/045; A47C 4/00; A47C 4/03; A47C 4/04; A47C 4/08; A47C 4/14; A47C 4/18; A47C 4/20; A47C 4/24; A47C 5/04

See application file for complete search history.

(56) **References Cited**

**U.S. PATENT DOCUMENTS**

D107,545 S \* 12/1937 O'Connor ..... D6/368  
2,458,095 A \* 1/1949 O'Connor ..... A47C 4/24  
297/452.18  
2,757,715 A 8/1956 Hendrickson  
3,094,357 A \* 6/1963 Shwayder ..... A47C 4/24  
297/452.1

(57) **CLAIM**

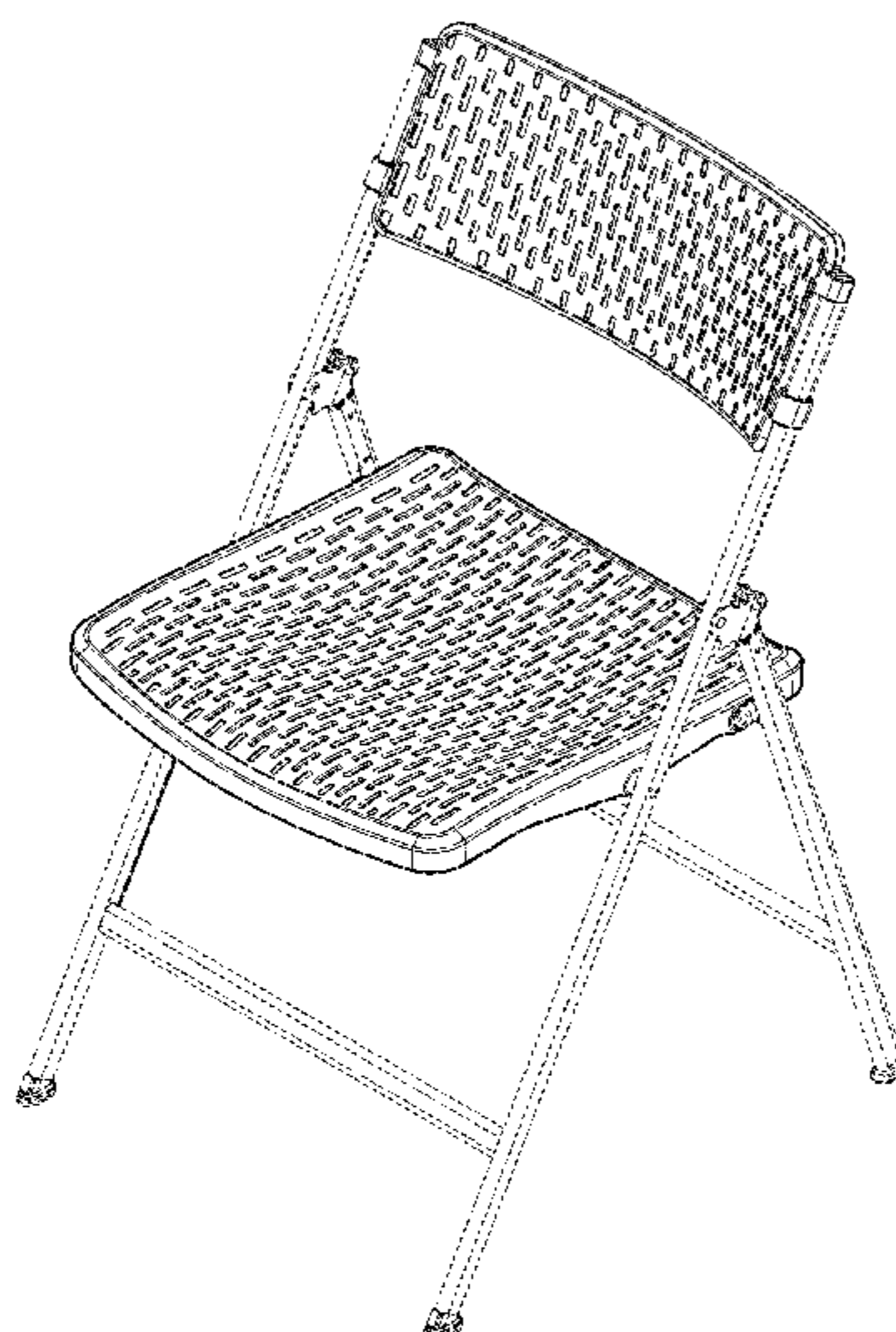
The ornamental design for a seat and backrest of an ergonomic collapsible chair, as shown and described.

**DESCRIPTION**

FIG. 1 is a top perspective view of the seat and backrest of an ergonomic collapsible chair;  
FIG. 2 is a bottom perspective view of the seat and backrest of an ergonomic collapsible chair;  
FIG. 3 is a front elevation view of the seat and backrest of an ergonomic collapsible chair;  
FIG. 4 is a rear elevation view of the seat and backrest of an ergonomic collapsible chair;  
FIG. 5 is a right side elevation view of the seat and backrest of an ergonomic collapsible chair;  
FIG. 6 is a left side elevation view of the seat and backrest of an ergonomic collapsible chair;  
FIG. 7 is a top plan view of the seat and backrest of an ergonomic collapsible chair; and,  
FIG. 8 is a bottom plan view of the seat and backrest of an ergonomic collapsible chair.

The broken lines shown in the figures are included for the purpose of illustrating environment only and form no part of the claimed design.

**1 Claim, 8 Drawing Sheets**



(56)

**References Cited**

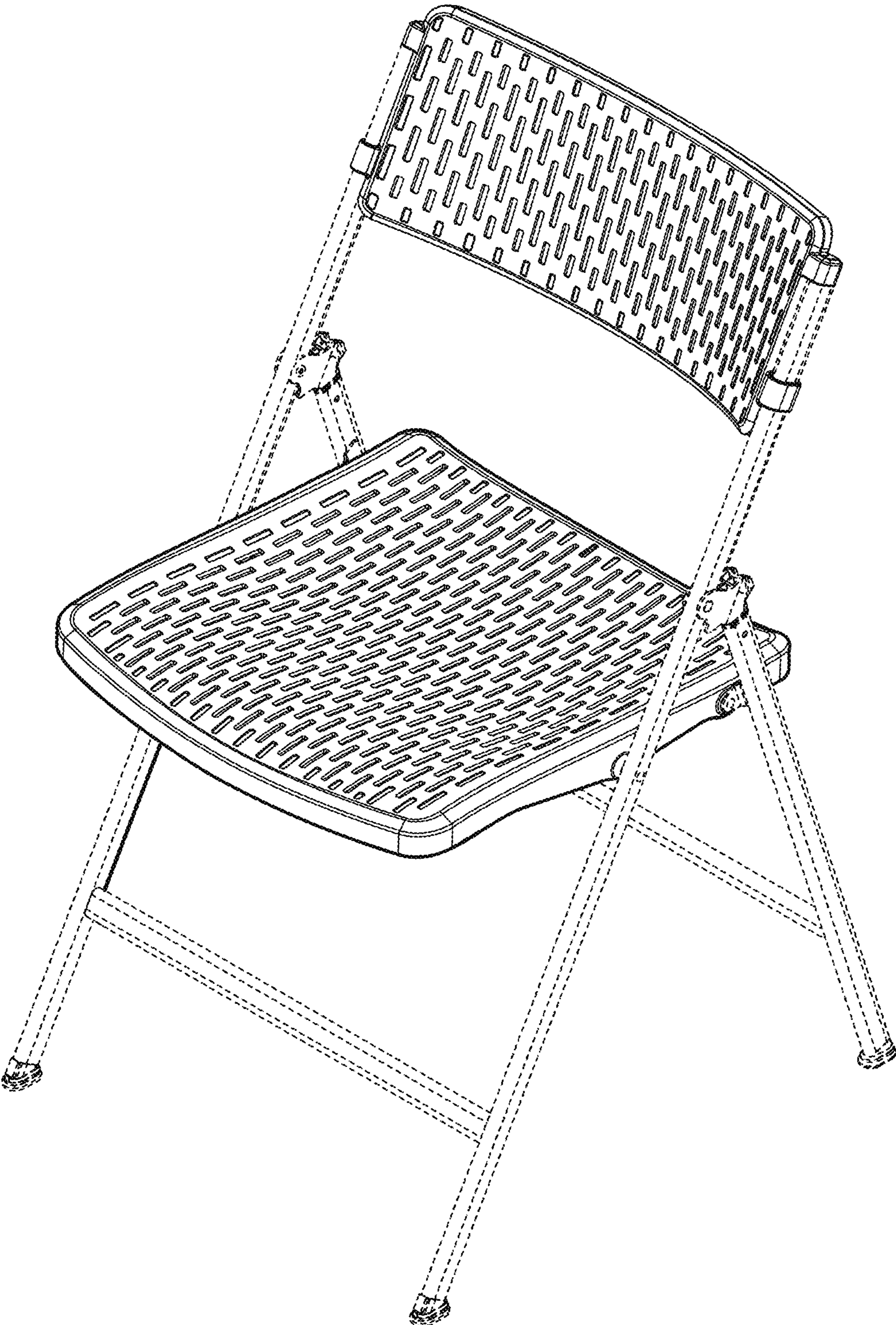
U.S. PATENT DOCUMENTS

D458,468 S \* 6/2002 Levrangi ..... D6/376  
6,669,281 B1 12/2003 Huang  
D534,019 S 12/2006 Lu et al.  
7,219,955 B2 5/2007 Lu et al.  
D544,225 S \* 6/2007 Cantarutti ..... D6/368  
7,293,826 B2 11/2007 Lu et al.  
7,513,567 B2 4/2009 Huang  
D599,127 S \* 9/2009 Smith ..... D6/368  
D603,196 S \* 11/2009 Su ..... D6/716.4  
8,029,059 B2 10/2011 Smith et al.  
D647,718 S \* 11/2011 Chen ..... D6/368  
D648,554 S \* 11/2011 Smith ..... D6/368  
D653,471 S \* 2/2012 Chan ..... D6/368  
D756,695 S \* 5/2016 Hurford ..... D6/716.4  
D767,321 S \* 9/2016 Xingchang ..... D6/716.4

OTHER PUBLICATIONS

MightyLite: Durability by Design—OneSeries Pro Folding Chair;  
Informational brochure; pp. 1-4.

\* cited by examiner



**FIG. 1**

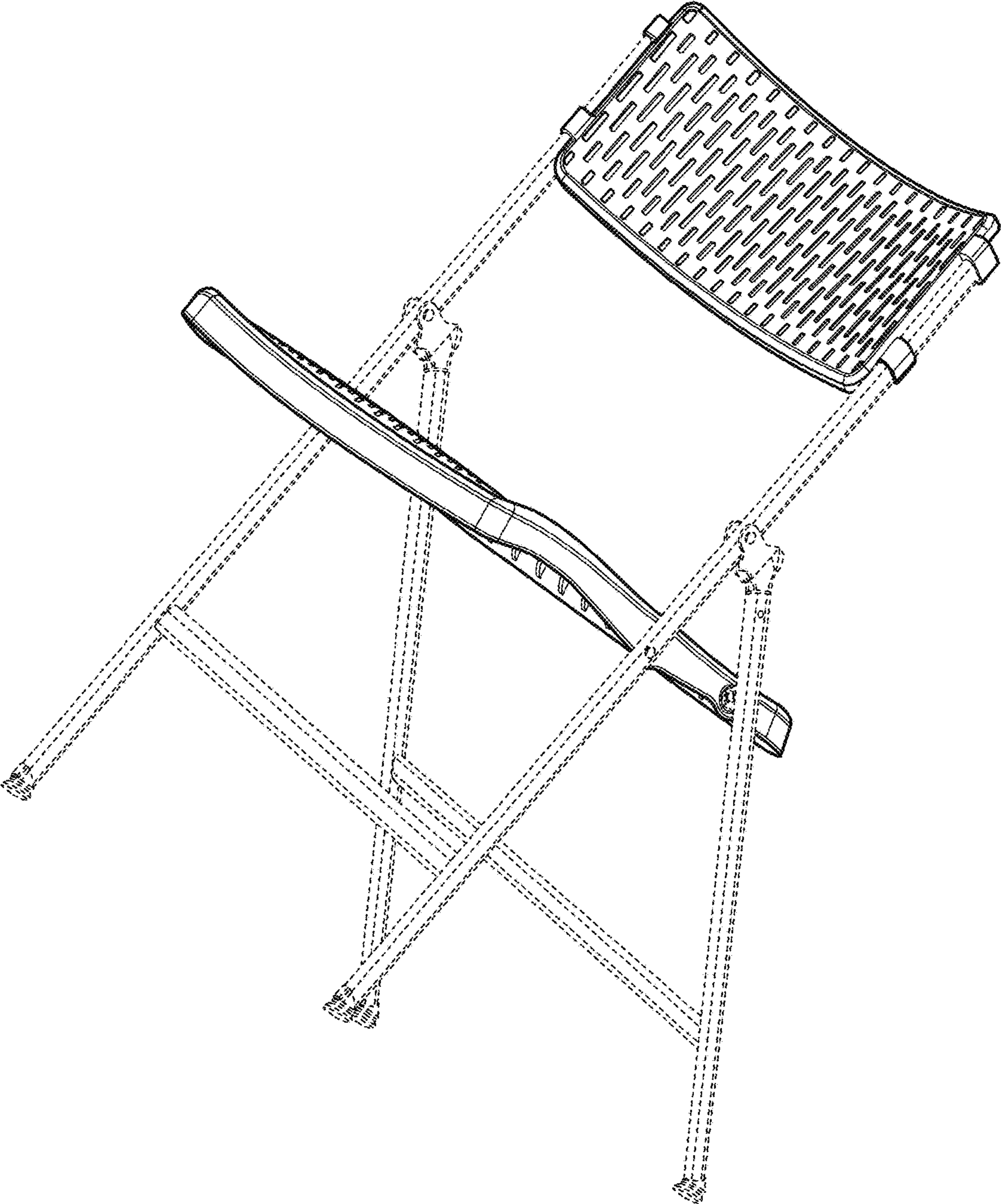


FIG. 2

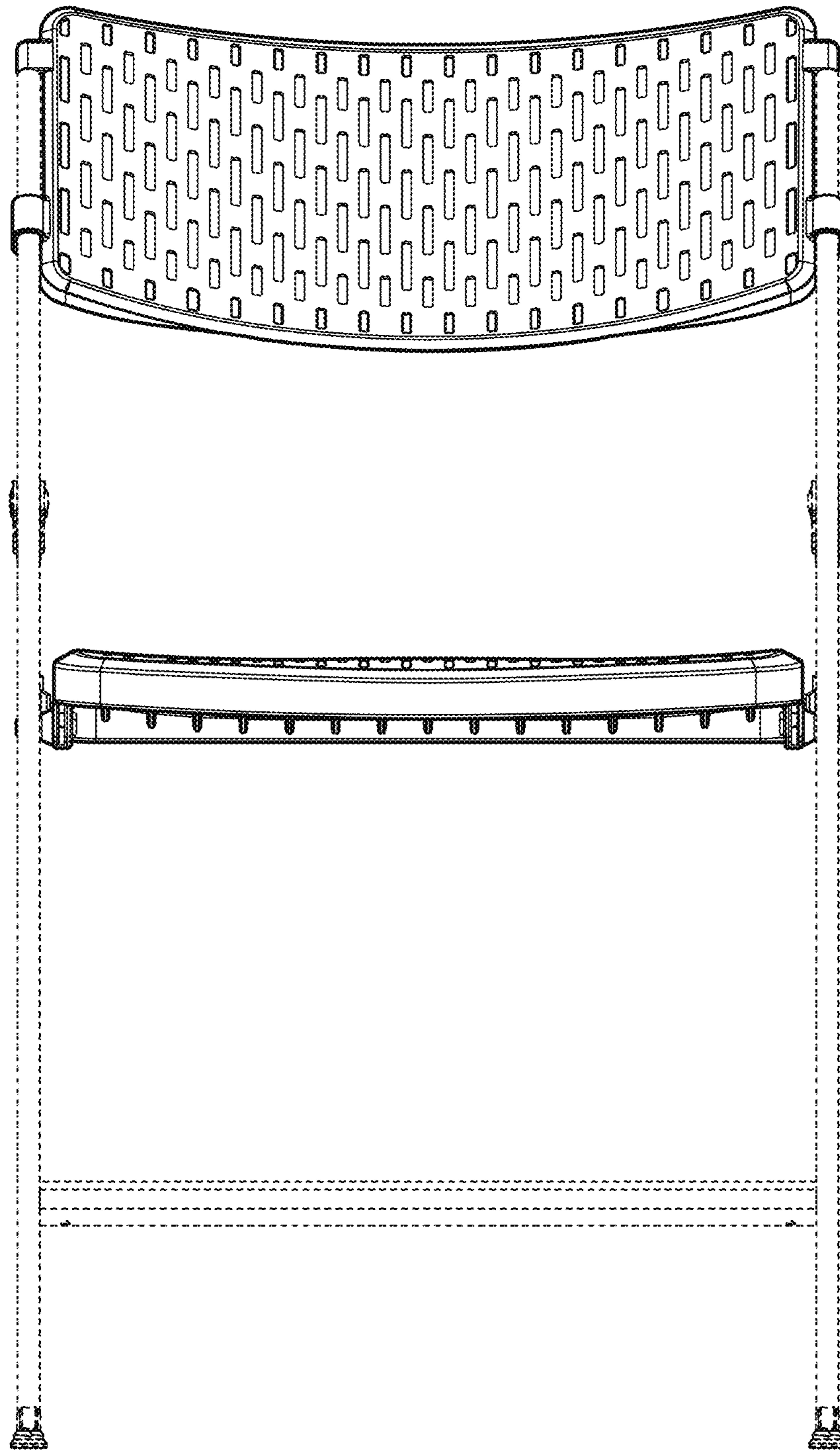


FIG. 3

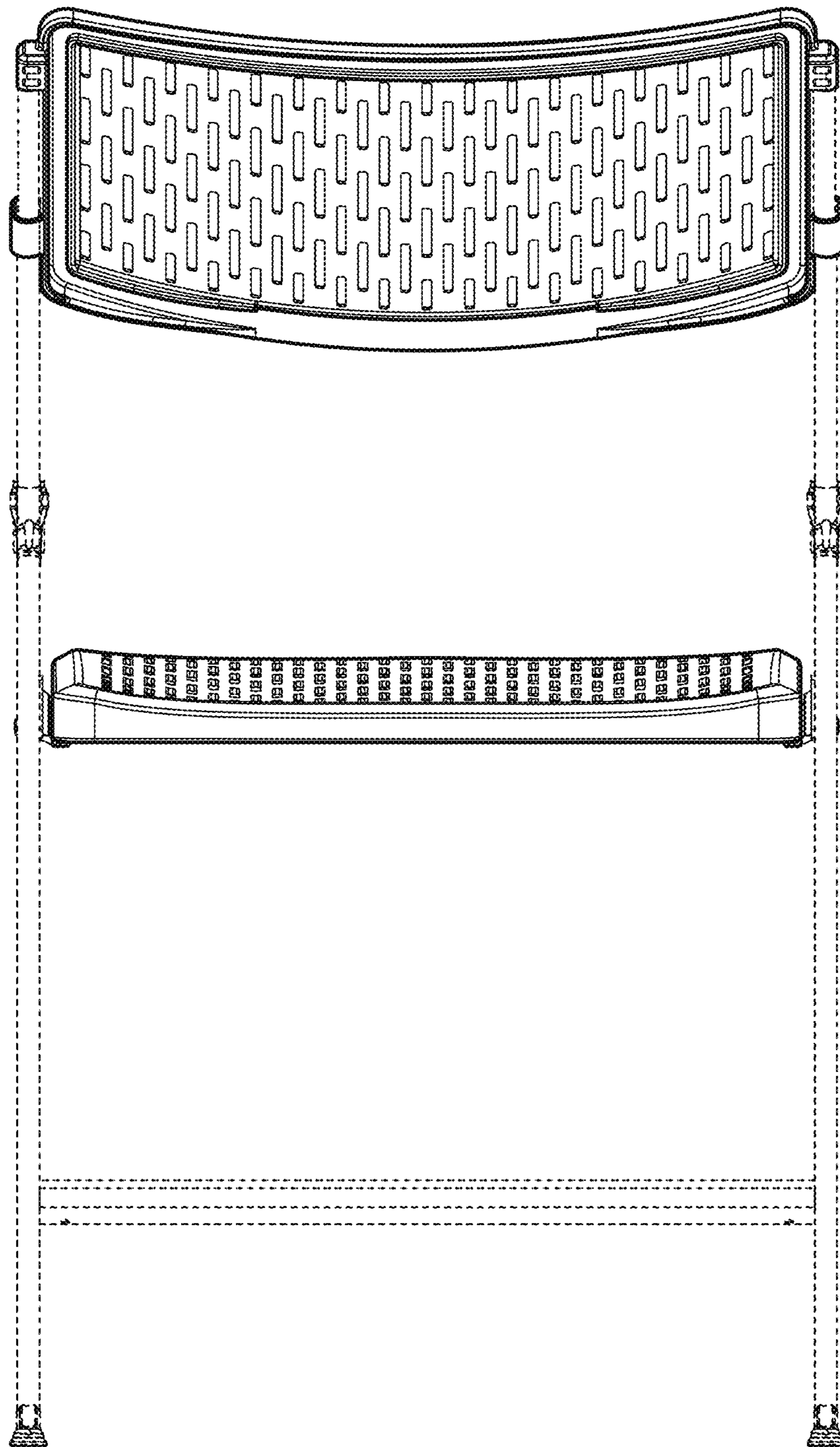
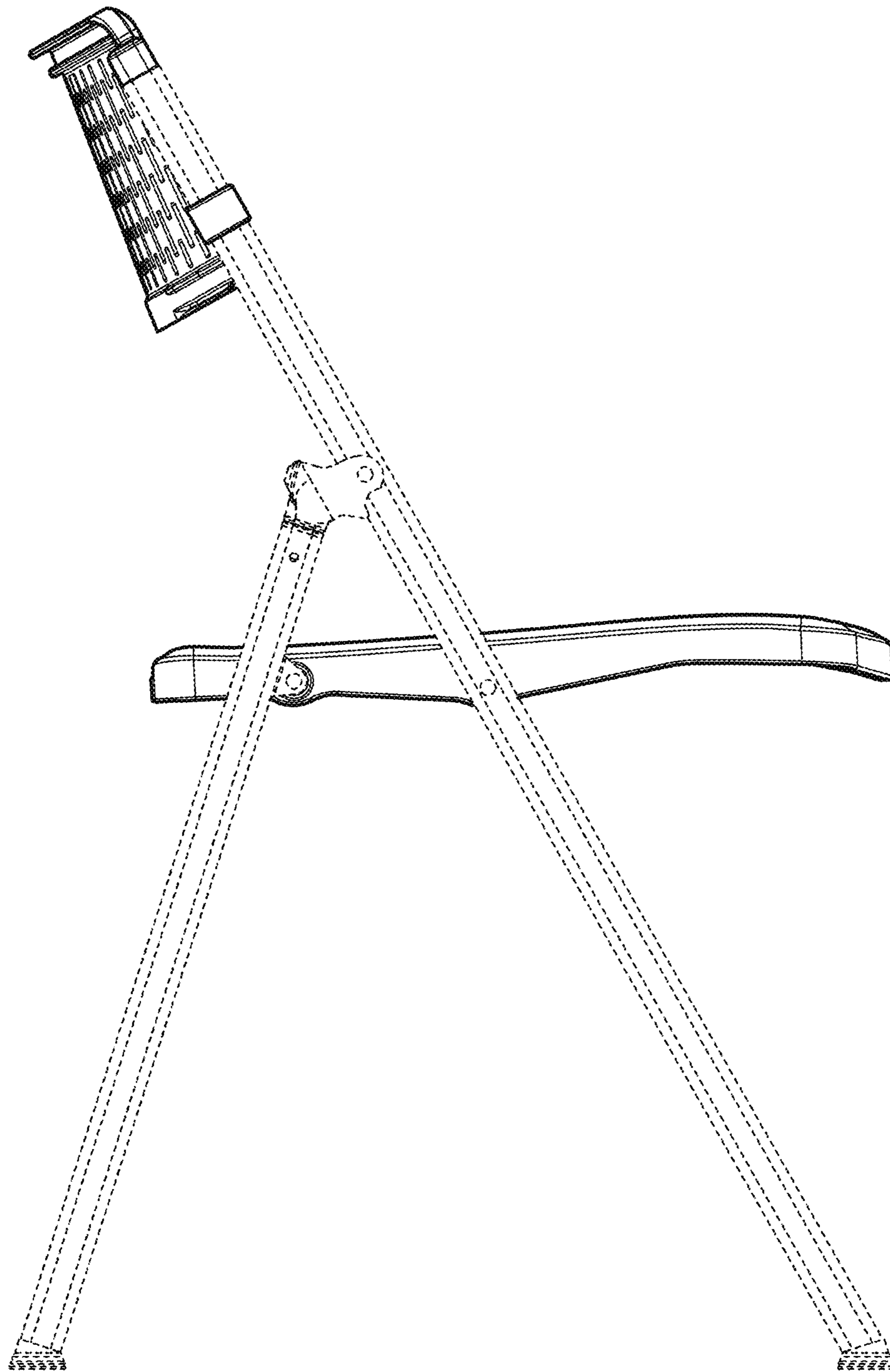


FIG. 4



**FIG. 5**

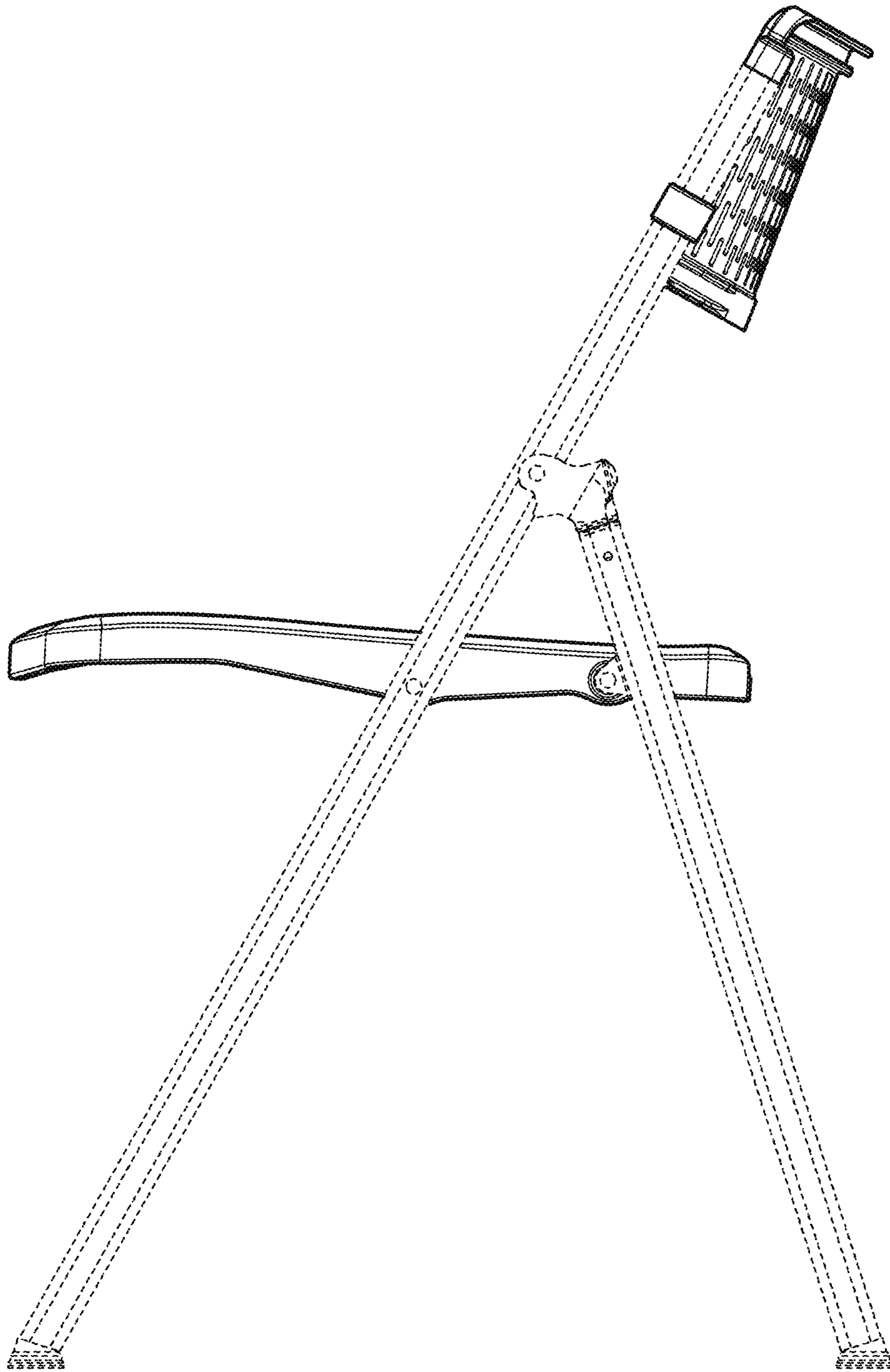
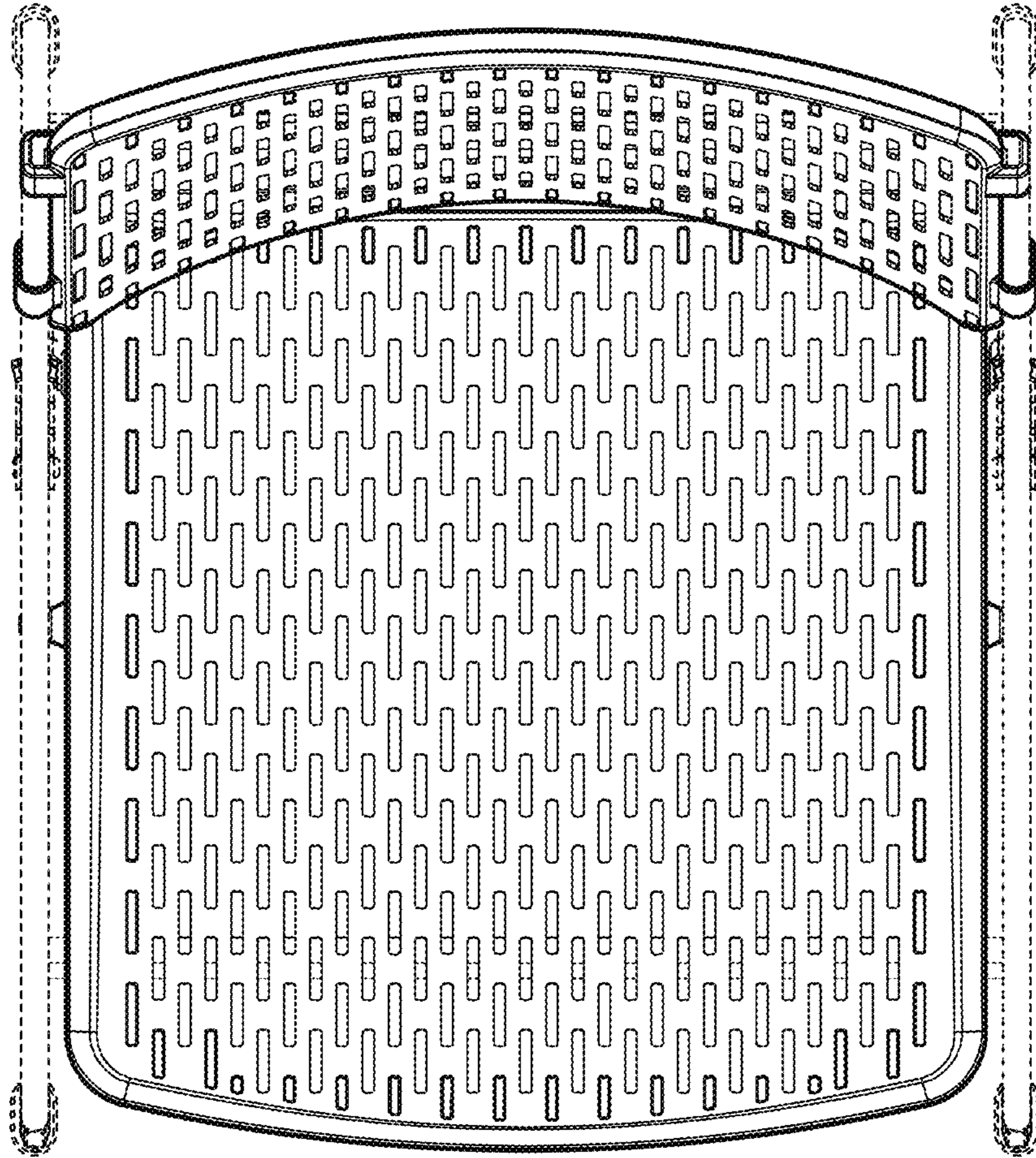
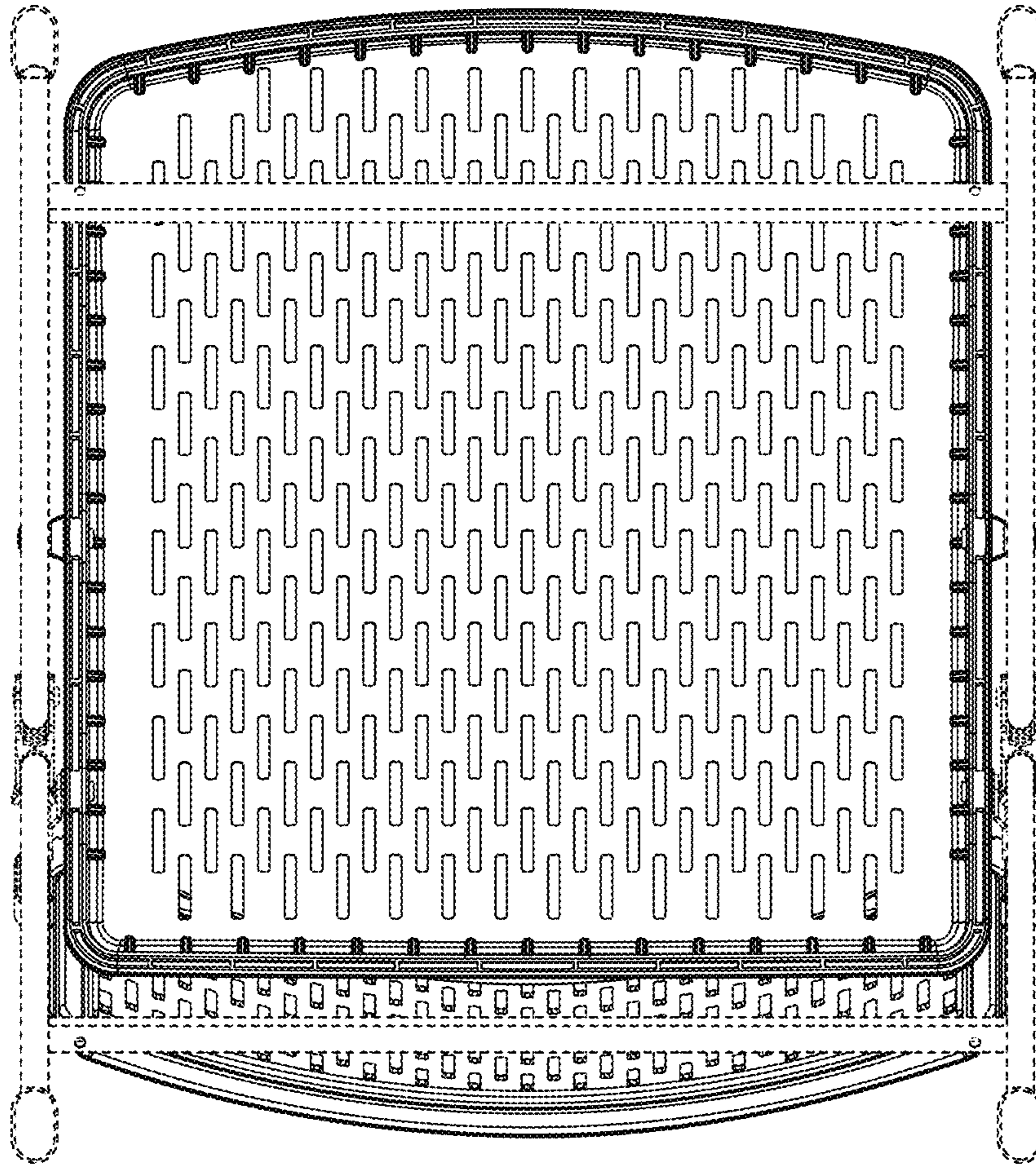


FIG. 6





**FIG. 7**



**FIG. 8**