



US00D793138S

(12) **United States Design Patent** (10) **Patent No.:** **US D793,138 S**
Baldoni et al. (45) **Date of Patent:** **** Aug. 1, 2017**

(54) **COUNTERTOP MOLD**
(71) Applicant: **Concrete Countertop Solutions, Inc.**,
Clarks Summit, PA (US)
(72) Inventors: **Edwin Joseph Baldoni**, Union Dale,
PA (US); **Dario Joseph Baldoni**,
Boston, MA (US)
(73) Assignee: **CONCRETE COUNTERTOP**
SOLUTIONS, INC., Clarks Summit,
PA (US)

D479,751 S * 9/2003 Schofield D23/267
7,001,558 B2 2/2006 Baldoni
D569,011 S * 5/2008 Brochu D25/138
D768,882 S * 10/2016 Mumford, Sr. D25/119
D769,462 S * 10/2016 Mumford, Sr. D25/119

(**) Term: **15 Years**

(21) Appl. No.: **29/568,889**

(22) Filed: **Jun. 22, 2016**

(51) **LOC (10) Cl.** **06-04**

(52) **U.S. Cl.**
USPC **D6/707.24**

(58) **Field of Classification Search**
USPC D8/382, 349, 354, 373, 380, 394, 377;
D6/668, 668.2, 671.1, 671.3, 671.4, 702,
D6/707, 707.19, 707.24, 707.26, 719;
D25/119, 120, 125, 121, 199, 102, 138,
D25/136, 164
CPC B29L 2031/441; A47B 77/022; A47B
2077/025; A47B 96/201; A47B 2077/027;
Y10T 29/49826

See application file for complete search history.

(56) **References Cited**

U.S. PATENT DOCUMENTS

D47,730 S * 8/1915 Heulings D25/119
2,131,115 A * 9/1938 Naisuler E06B 3/30
428/603
D253,278 S * 10/1979 Ziaylek, Jr. D8/354
D302,857 S * 8/1989 Dunnick D25/119
D345,429 S * 3/1994 Bancroft D25/119
D346,225 S * 4/1994 Bancroft D25/119

OTHER PUBLICATIONS

Concrete Countertop Solutions Edge Profiles; <http://concretecountertopsolutions.com/categories/edge-profiles/>; 3 pp.; downloaded Apr. 18, 2016.

* cited by examiner

Primary Examiner — Sandra Snapp

Assistant Examiner — Ieisha Price

(74) *Attorney, Agent, or Firm* — Morgan, Lewis & Bockius LLP

(57) **CLAIM**

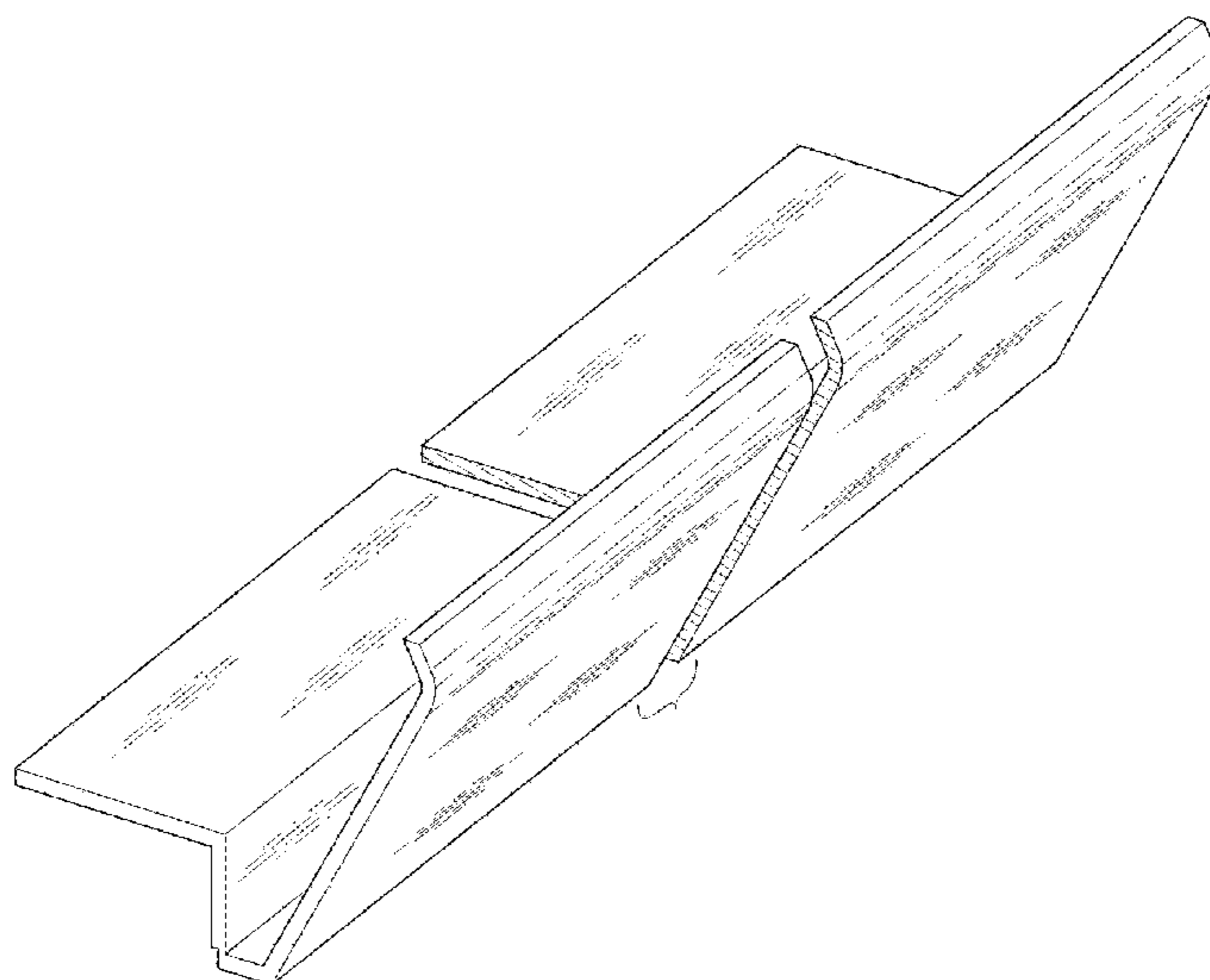
The ornamental design for a countertop mold, as shown and described.

DESCRIPTION

FIG. 1 is a front perspective view of a countertop mold showing our new design;
FIG. 2 is a right-side elevational view of the countertop mold shown in FIG. 1, the left-side elevational view being a mirror image thereof;
FIG. 3 is a front elevational view of the countertop mold shown in FIG. 1;
FIG. 4 is a rear elevational view of the countertop mold shown in FIG. 1;
FIG. 5 is a top plan view of the countertop mold shown in FIG. 1; and,
FIG. 6 is a bottom plan view of the countertop mold shown in FIG. 1.

All portions of the countertop mold located between the break lines, shown throughout the drawing disclosure, form no part of the claimed design.

1 Claim, 5 Drawing Sheets



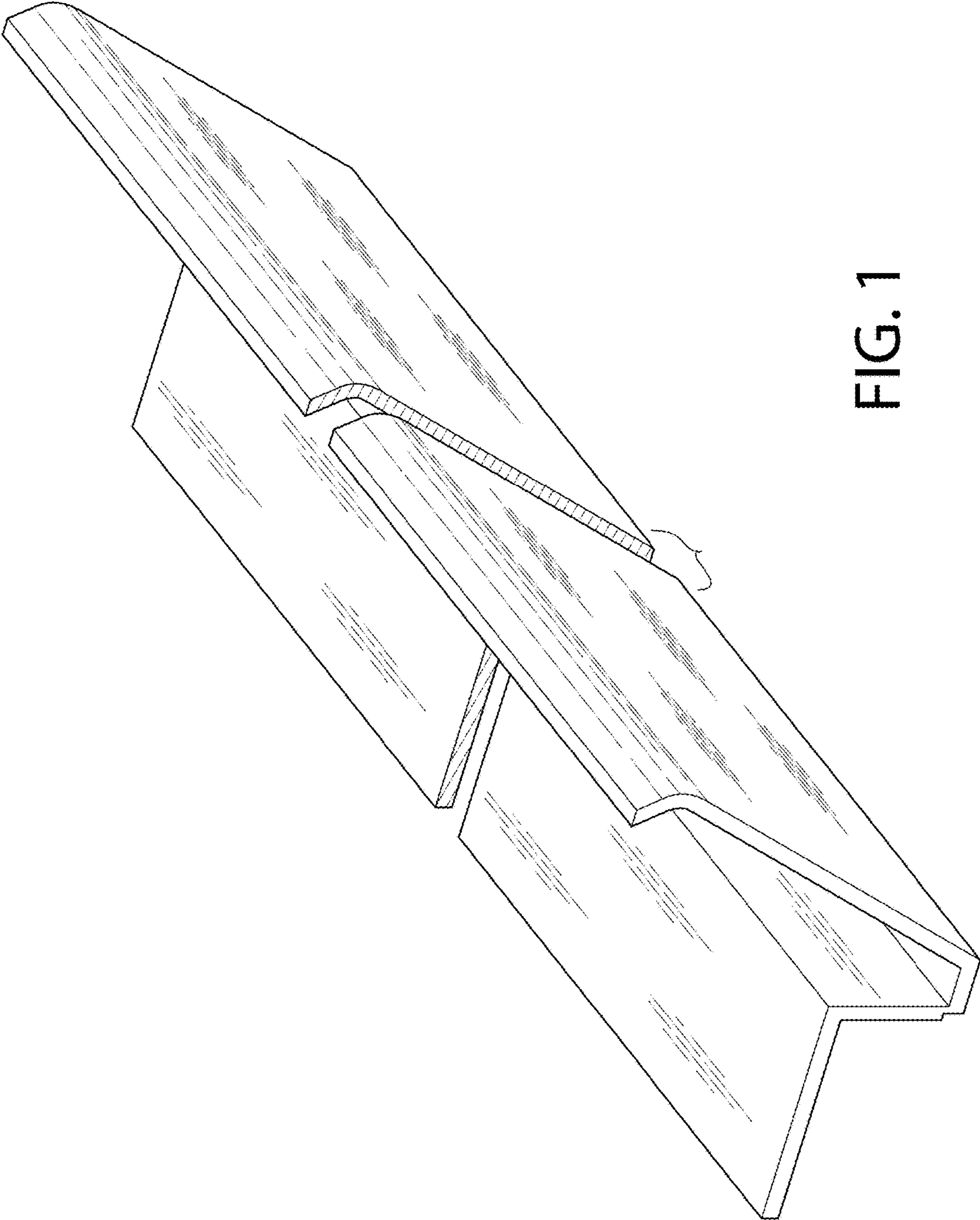


FIG. 1

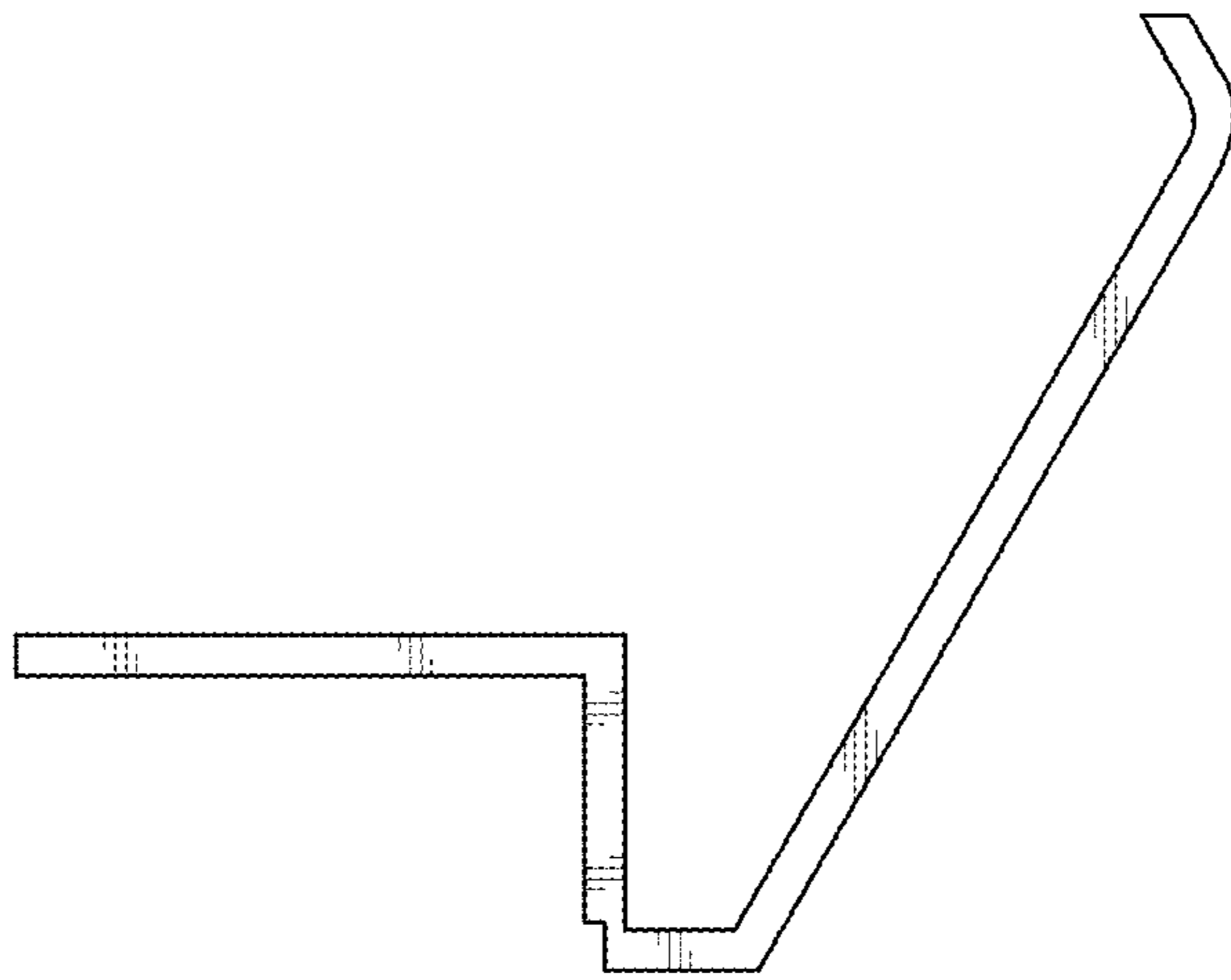


FIG. 2

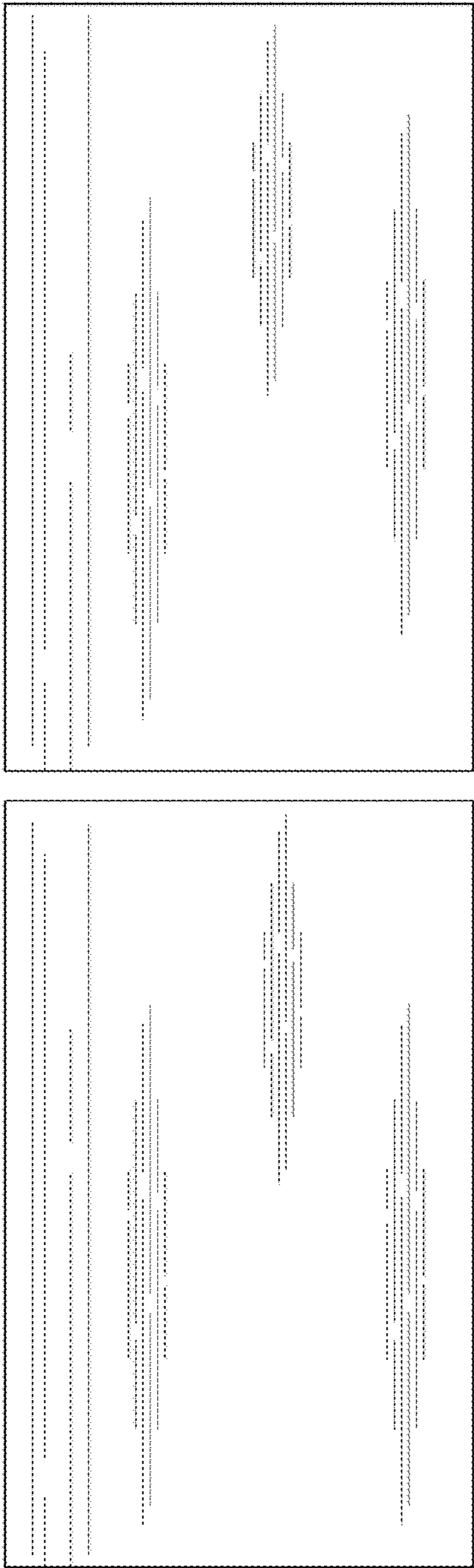


FIG. 3

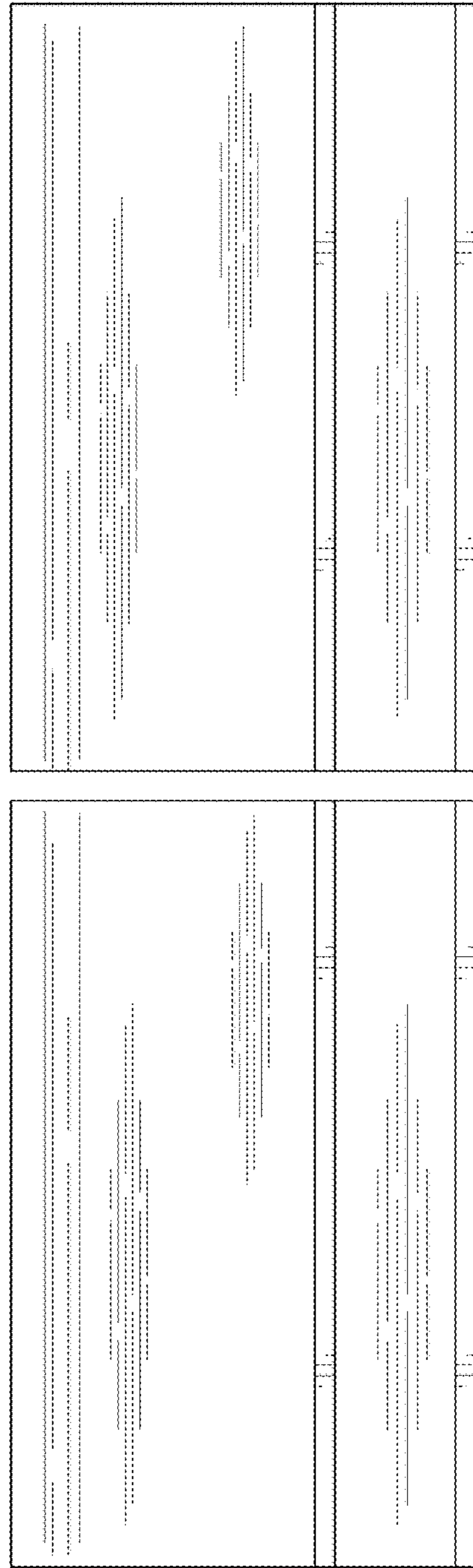


FIG. 4

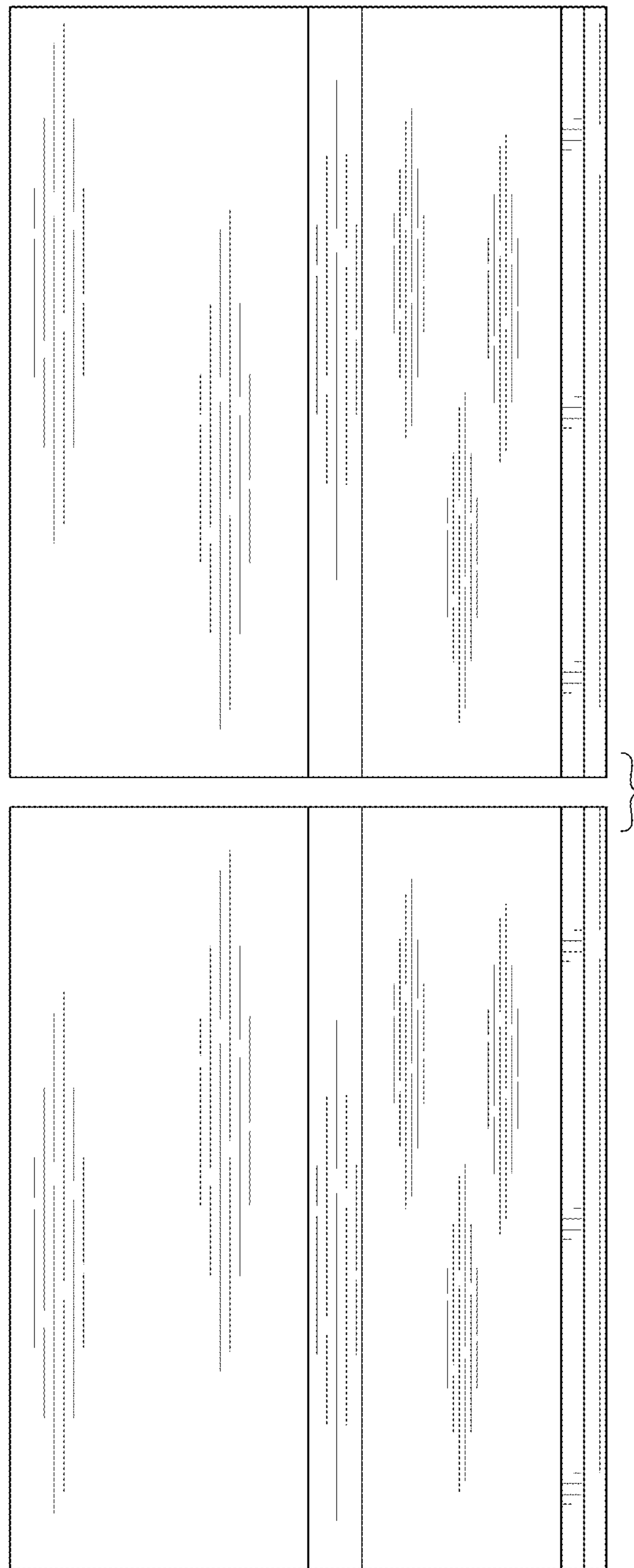


FIG. 5

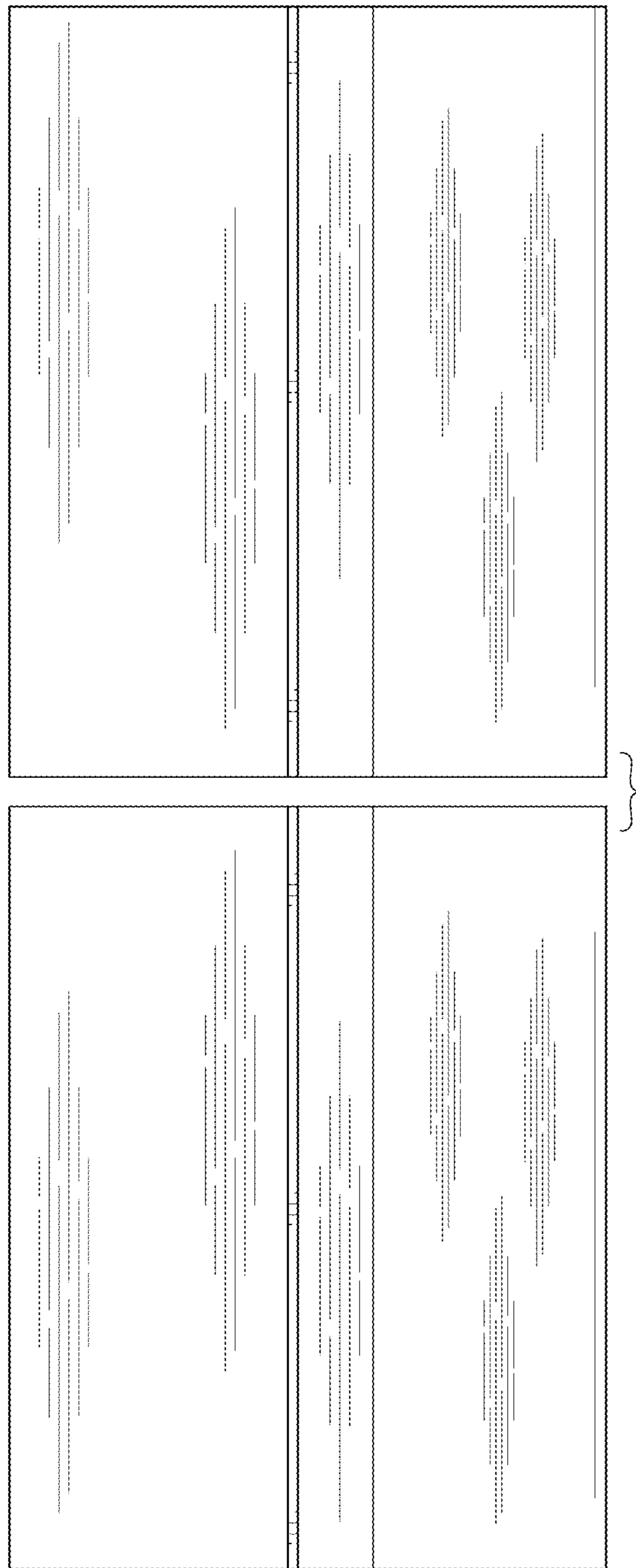


FIG. 6