



US00D793136S

(12) **United States Design Patent** (10) **Patent No.:** **US D793,136 S**  
**Grano** (45) **Date of Patent:** **\*\* Aug. 1, 2017**

(54) **GARDEN TABLE**  
(71) Applicant: **The Kitchen Community, Inc.**,  
Boulder, CO (US)  
(72) Inventor: **Jordan Grano**, Boulder, CO (US)  
(73) Assignee: **The Kitchen Community, Inc.**,  
Boulder, CO (US)  
(\*\*) Term: **15 Years**  
(21) Appl. No.: **29/560,998**  
(22) Filed: **Apr. 12, 2016**  
(51) **LOC (10) Cl.** ..... **06-06**  
(52) **U.S. Cl.**  
USPC ..... **D6/697.1**  
(58) **Field of Classification Search**  
USPC ..... D6/641, 671, 675, 677, 685, 687, 690,  
D6/691, 691.1, 691.2, 691.3, 691.4,  
D6/691.5, 691.9, 693, 695, 695.2, 696,  
D6/696.1, 697, 697.1, 698, 699, 699.2,  
D6/703, 707, 708, 709, 709.2, 709.21  
CPC ..... A47B 7/00; A47B 13/08; A47B 13/10;  
A47B 21/00; A47B 2009/006; A47B  
11/00  
See application file for complete search history.

(56) **References Cited**  
U.S. PATENT DOCUMENTS  
D321,402 S \* 11/1991 Hoshino ..... D24/188  
D390,381 S \* 2/1998 Dormon ..... D6/650  
5,795,276 A \* 8/1998 Almeda ..... A63B 21/00047  
482/140  
D406,473 S \* 3/1999 Lin ..... D6/361  
D417,094 S \* 11/1999 Schwartz ..... D6/696.2  
D562,028 S \* 2/2008 Loeb ..... D6/643.1  
8,671,484 B1 \* 3/2014 Logiodice ..... A47D 13/08  
5/655

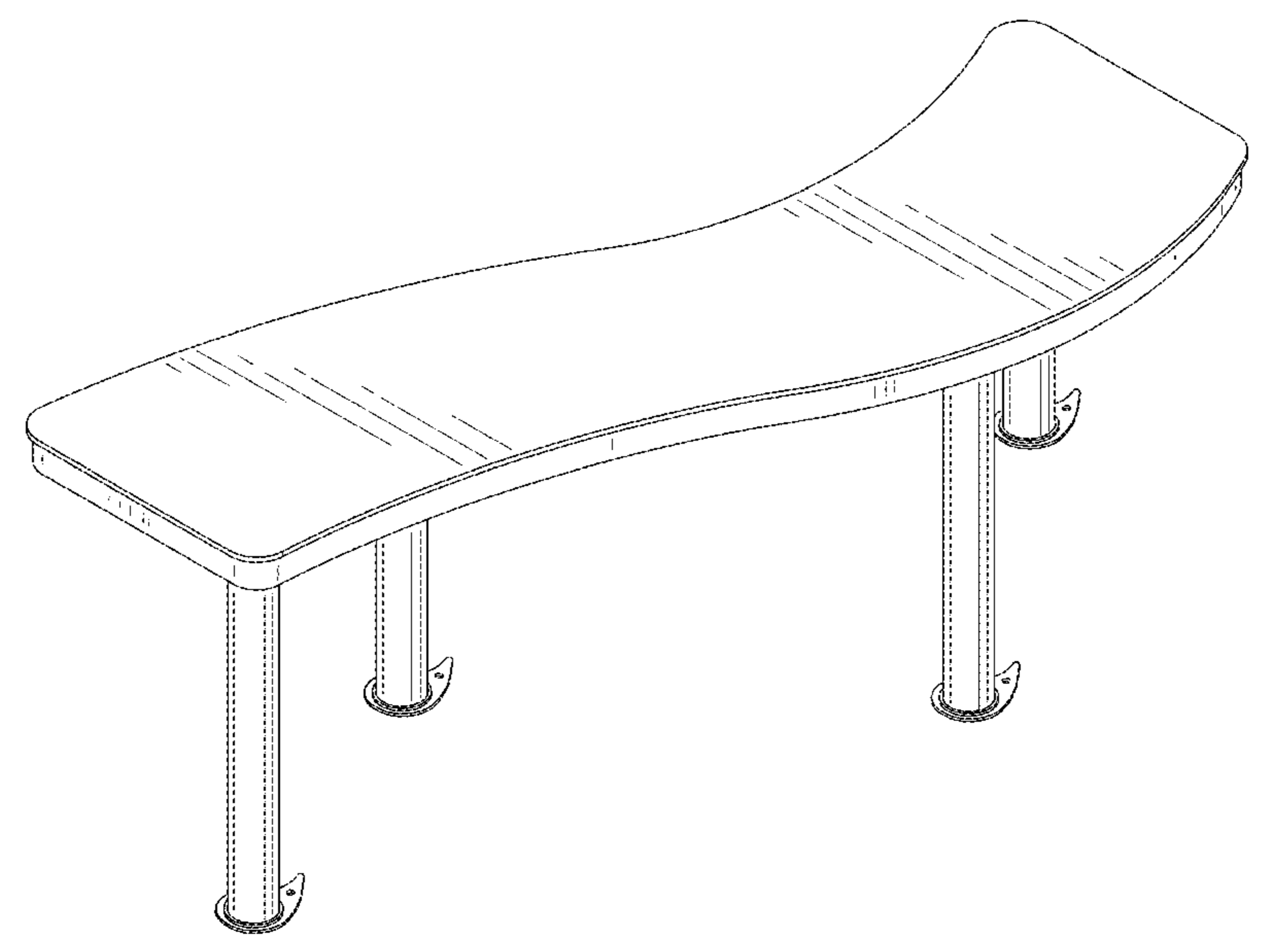
D701,710 S \* 4/2014 Martinez ..... D6/601  
D712,677 S \* 9/2014 Clute ..... D6/390  
8,911,388 B2 \* 12/2014 Mooney ..... A61F 5/01  
128/870  
D724,793 S \* 3/2015 Hansen ..... D30/118  
D745,682 S \* 12/2015 Ziegler ..... D24/184  
D781,629 S \* 3/2017 Handler ..... D6/707.22  
2015/0290063 A1 \* 10/2015 Santinelli Ramos A61G 13/009  
5/600

\* cited by examiner  
*Primary Examiner* — Mary Ann Calabrese  
*Assistant Examiner* — Sloan Rozin  
(74) *Attorney, Agent, or Firm* — Holland & Hart LLP

(57) **CLAIM**  
The ornamental design for a garden table, as shown and described.

**DESCRIPTION**  
FIG. 1 is a top perspective view of the garden table, showing my new design;  
FIG. 2 is a bottom perspective view of the design illustrated in FIG. 1;  
FIG. 3 is a front elevation view of the design illustrated in FIG. 1;  
FIG. 4 is a rear elevation view of the design illustrated in FIG. 1;  
FIG. 5 is a right side elevation view of the design illustrated in FIG. 1;  
FIG. 6 is a left side elevation view of the design illustrated in FIG. 1;  
FIG. 7 is a top plan view of the design illustrated in FIG. 1; and,  
FIG. 8 is a bottom plan view of the design illustrated in FIG. 1.

**1 Claim, 8 Drawing Sheets**



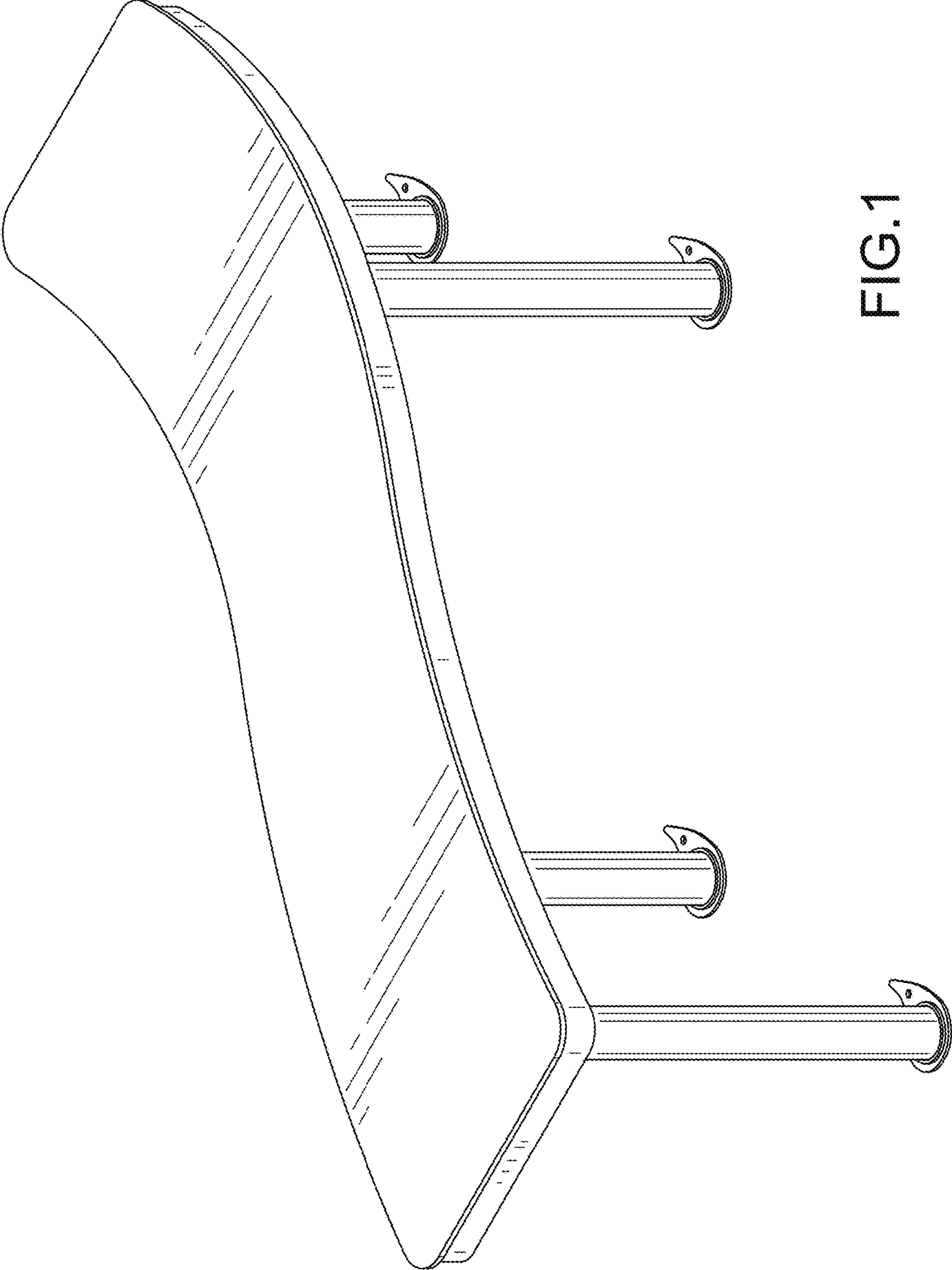


FIG. 1

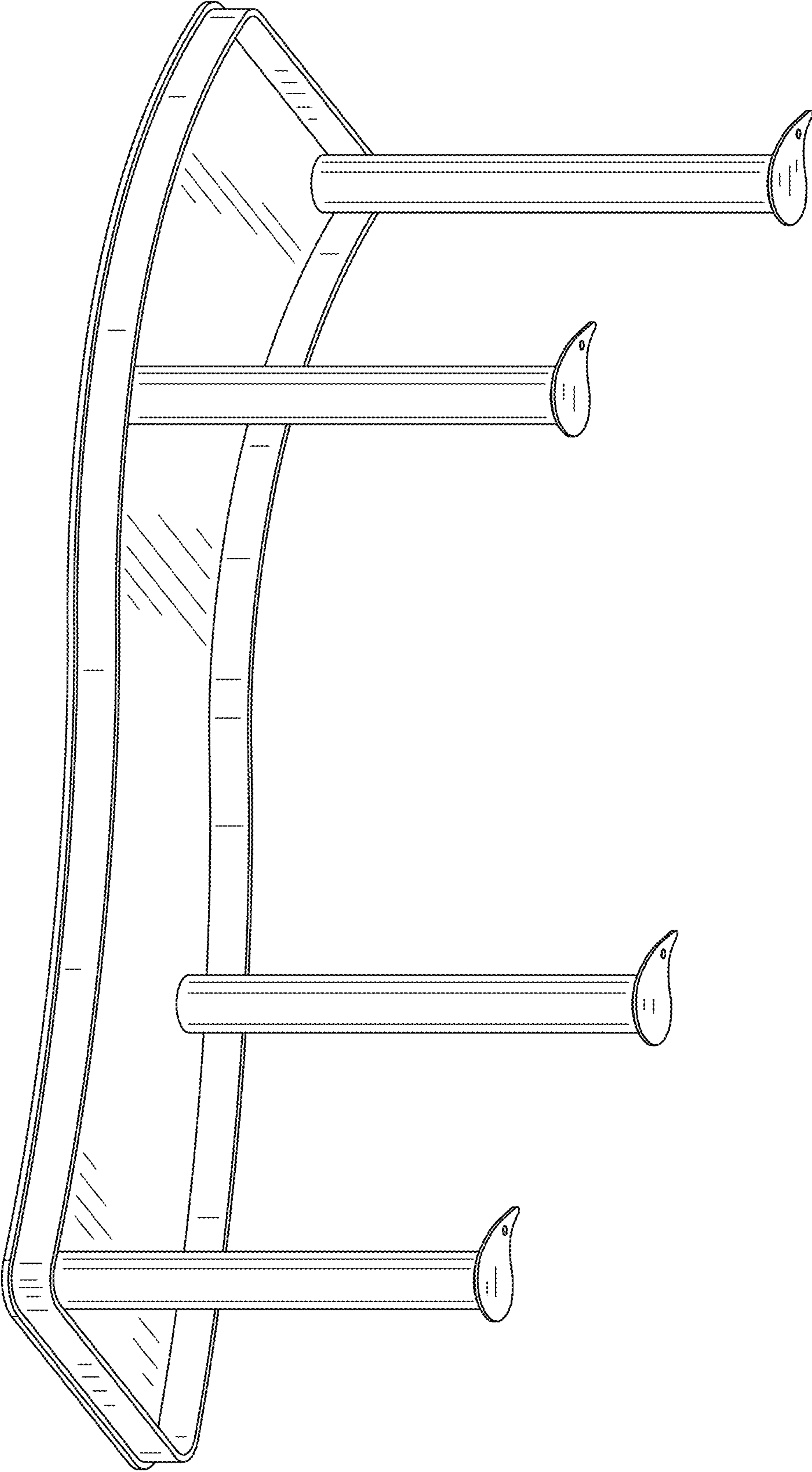


FIG.2

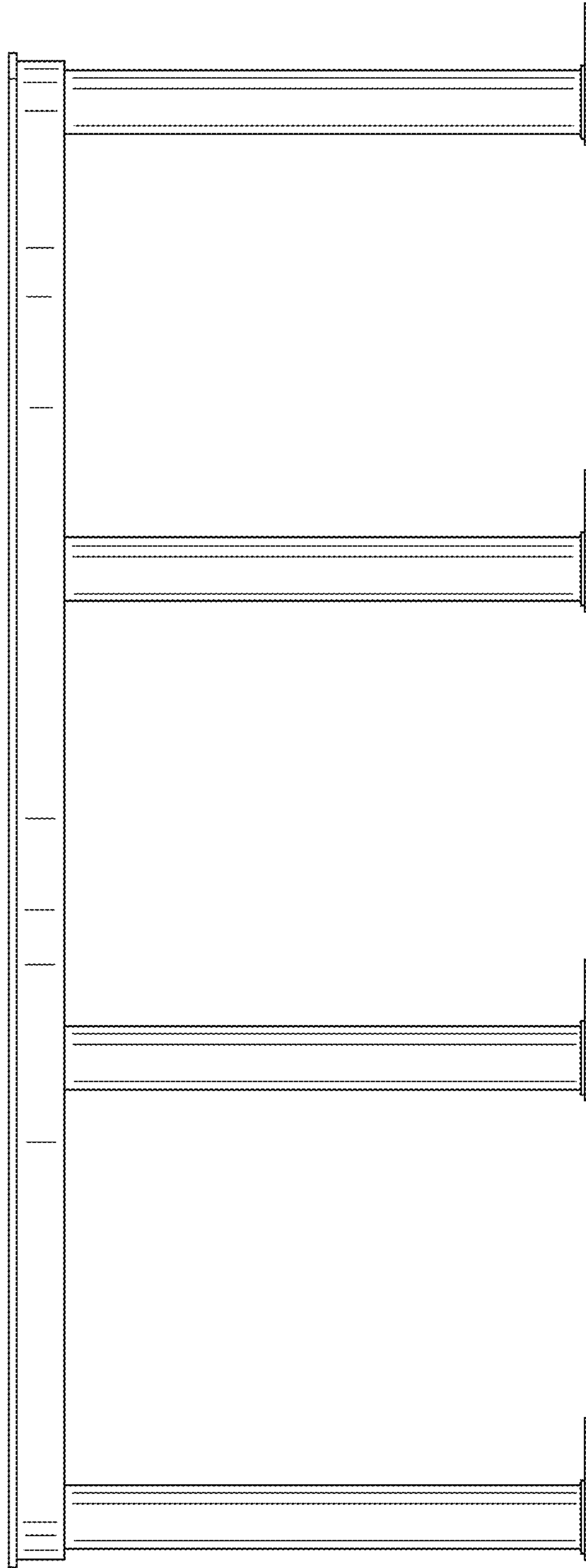


FIG. 3

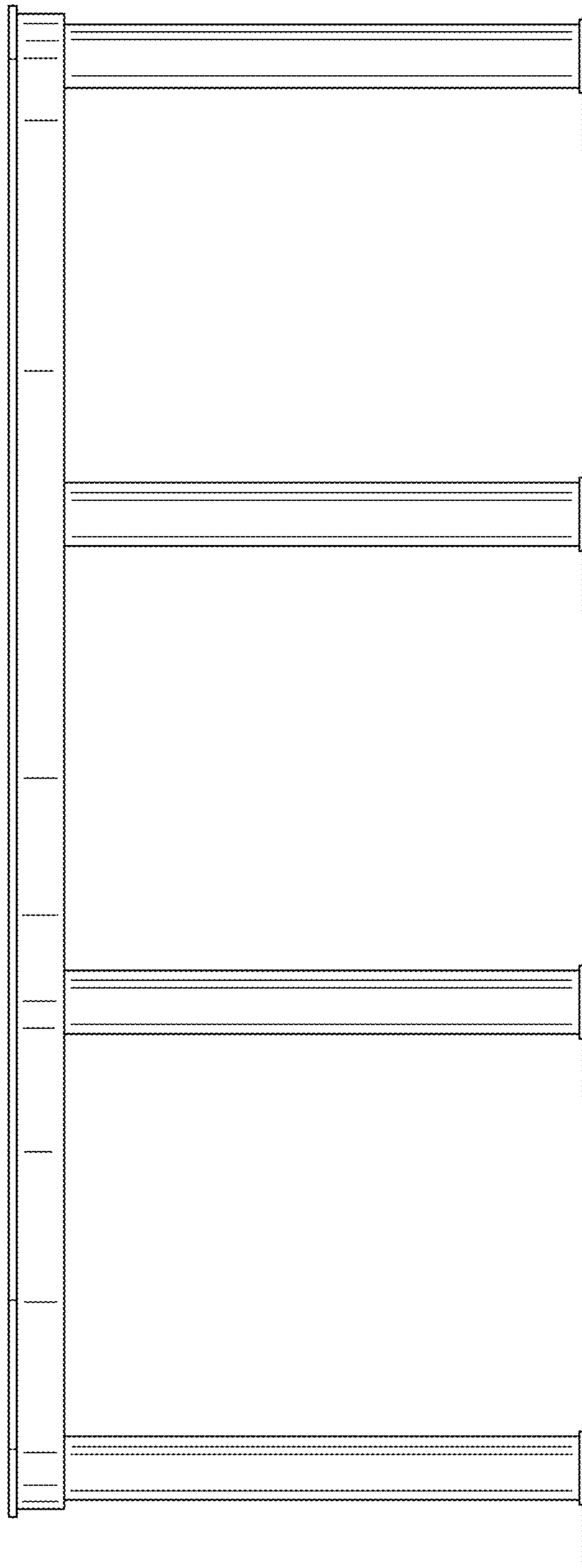


FIG.4

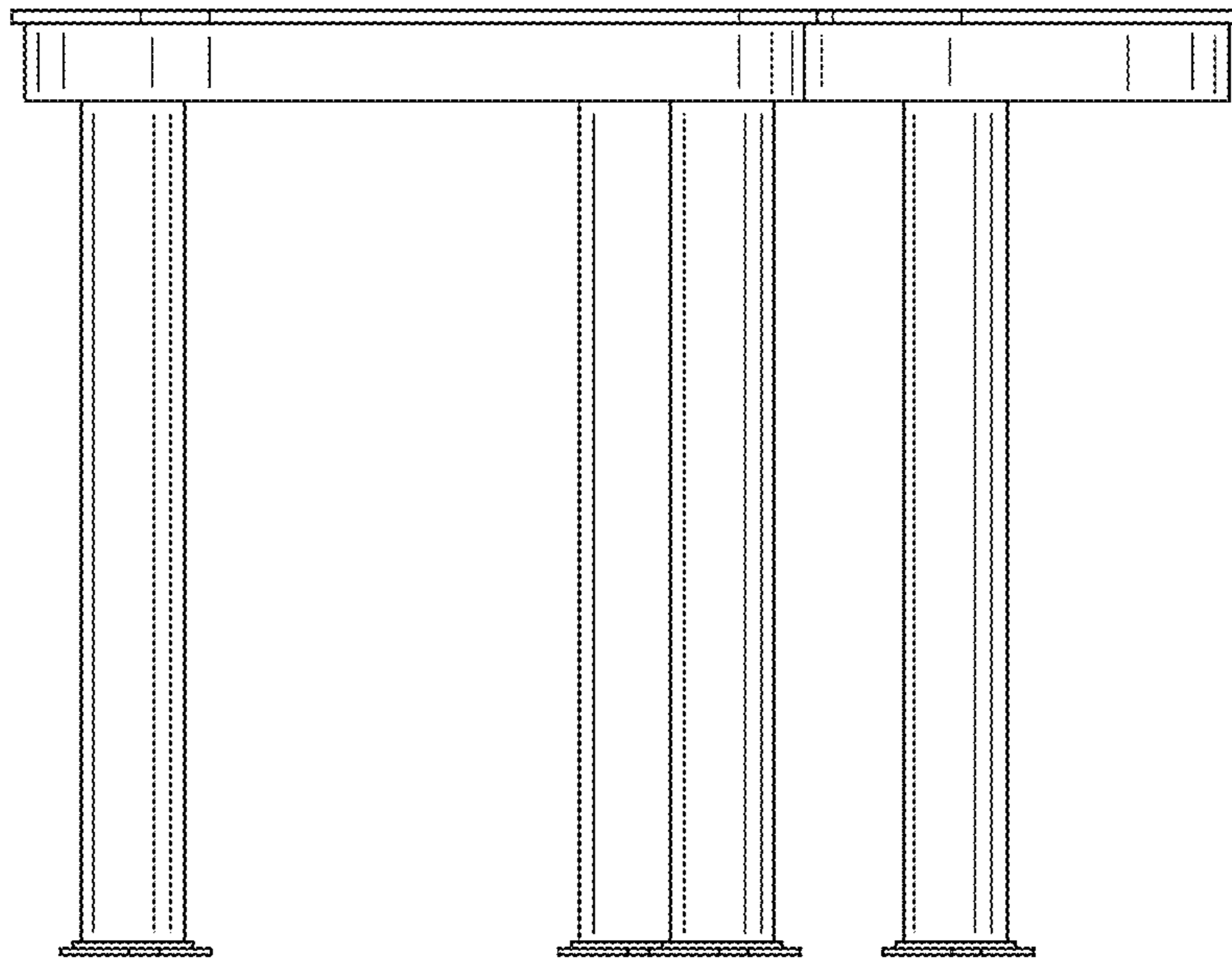


FIG.5

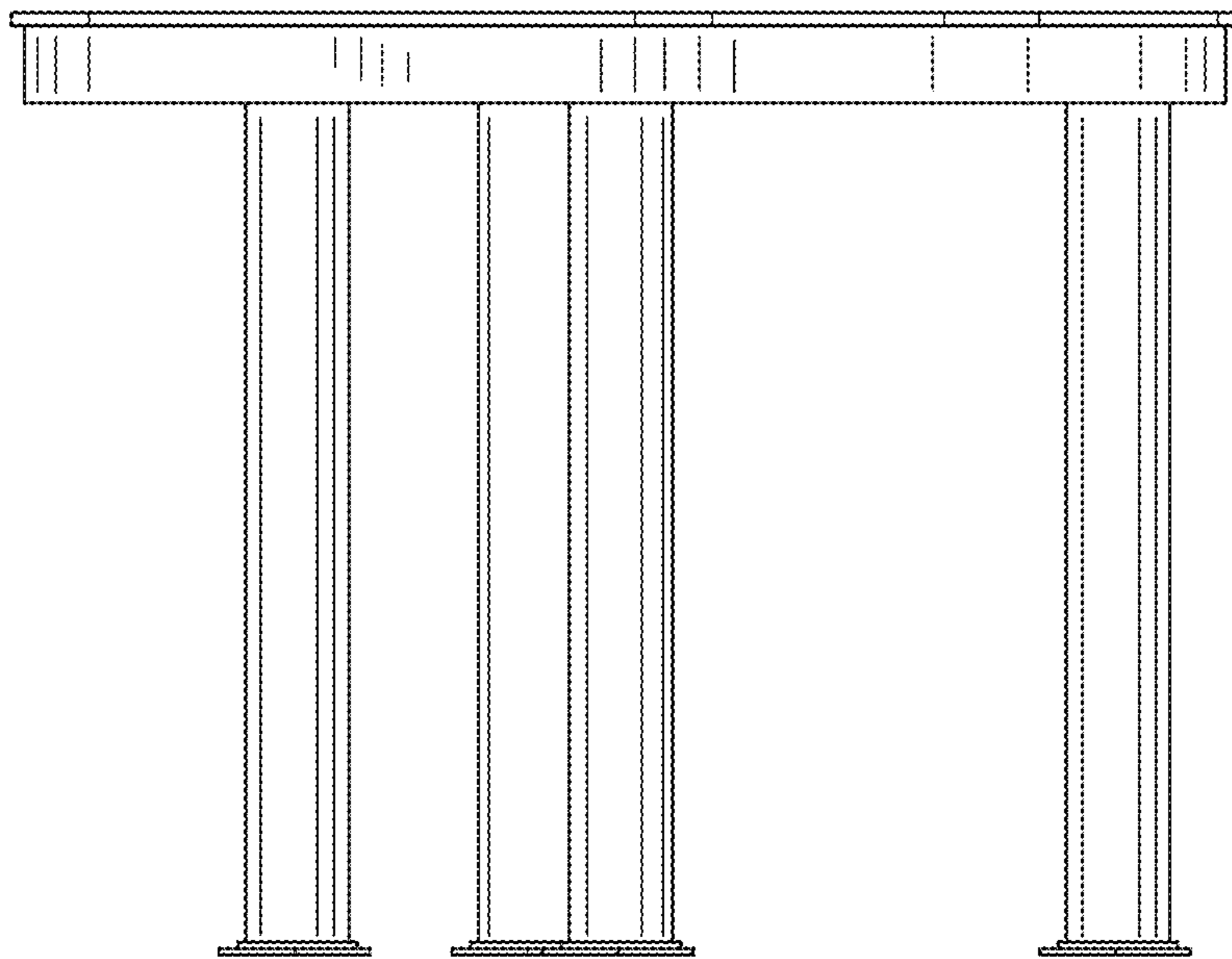


FIG.6

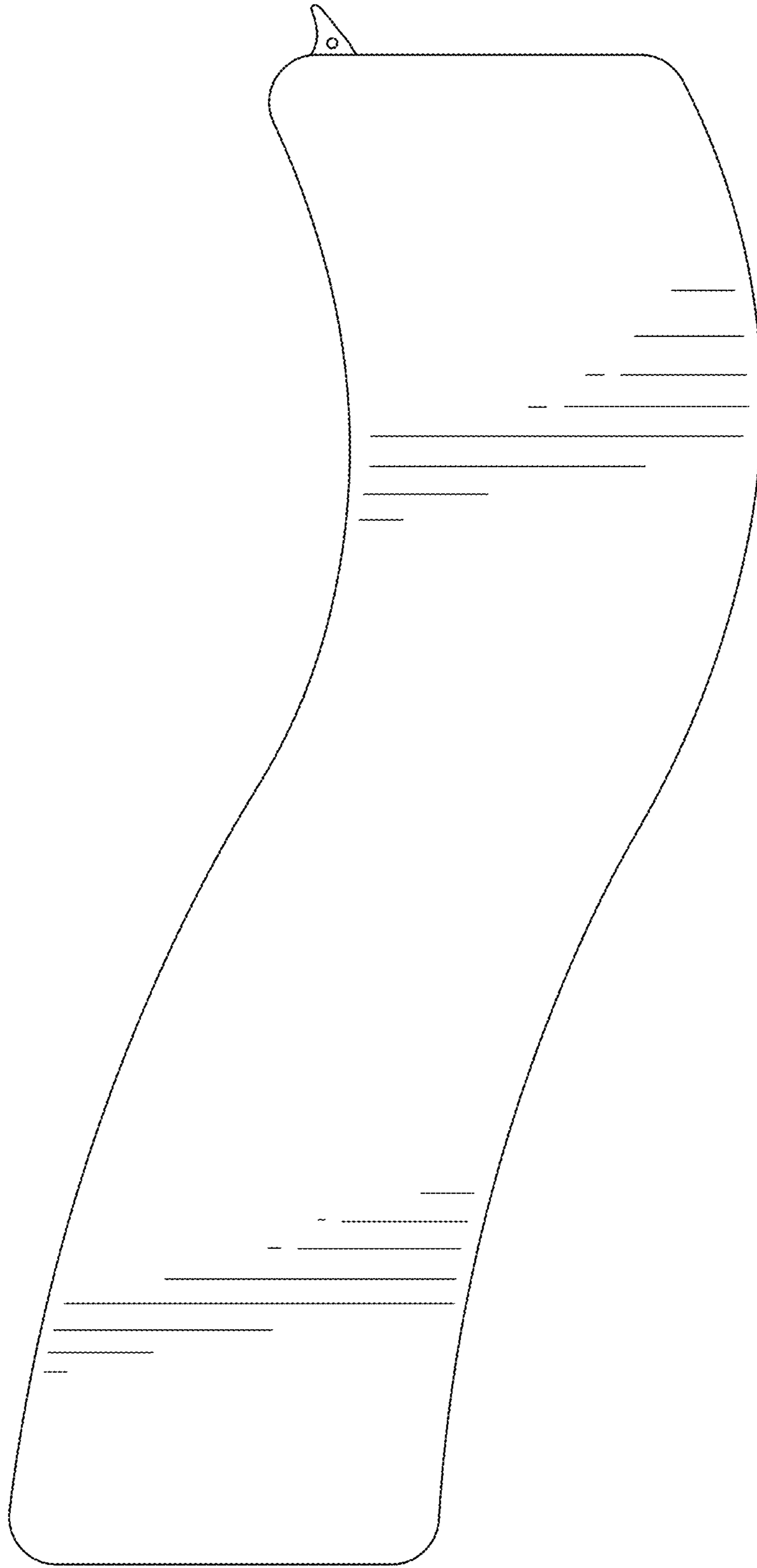


FIG.7



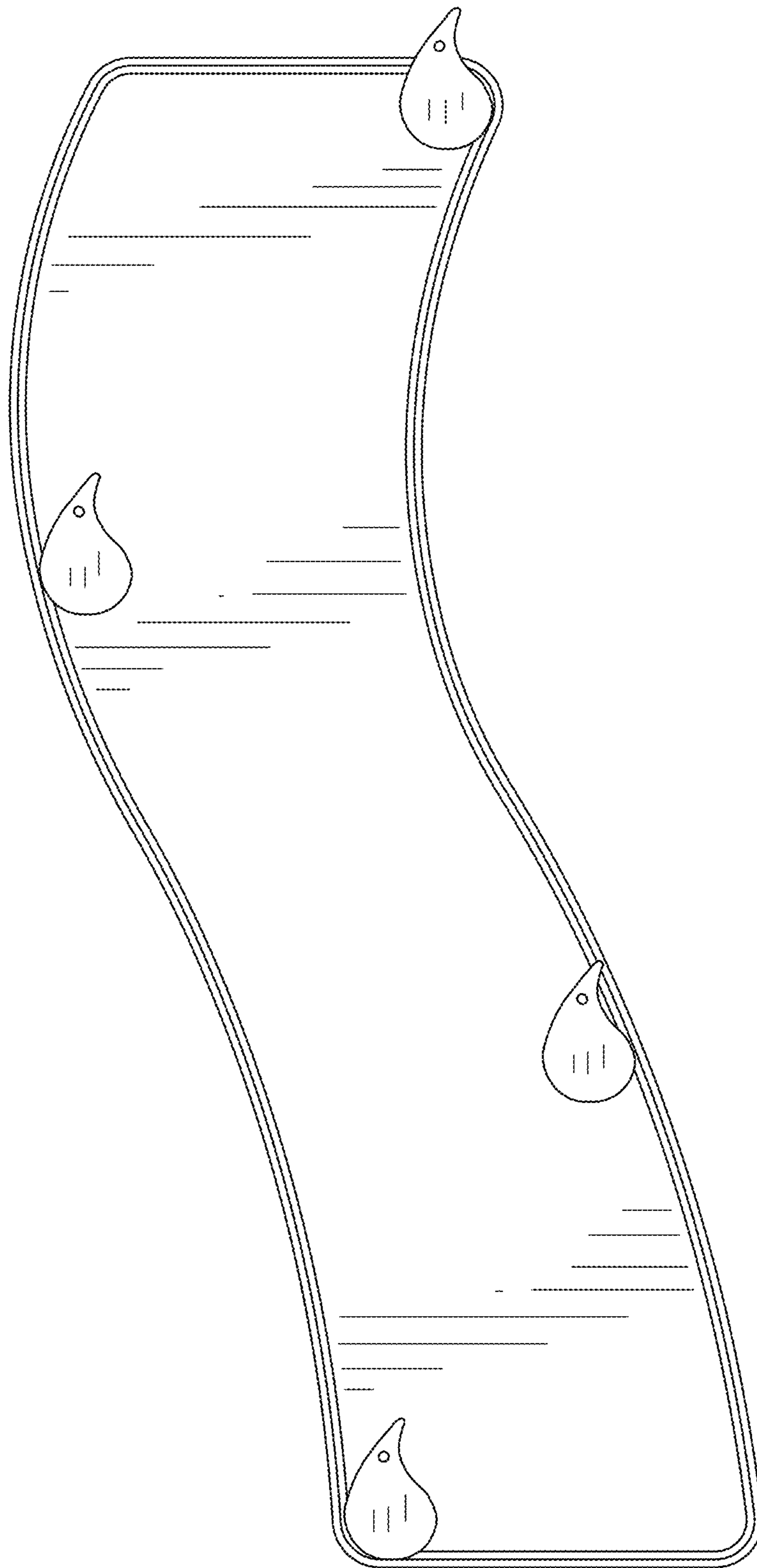


FIG.8