



US00D793133S

(12) **United States Design Patent** (10) **Patent No.:** **US D793,133 S**
Nigro (45) **Date of Patent:** **** Aug. 1, 2017**

(54) **TABLE**
(71) Applicant: **Hermes Sellier (Societe Par Actions Simplifree)**, Paris (FR)
(72) Inventor: **Philippe Nigro**, Paris (FR)
(73) Assignee: **Hermes Sellier (Societe Par Actions Simplifree)**, Paris (FR)

D322,190 S * 12/1991 Adamson D6/692.5
D331,512 S * 12/1992 Bennett D6/692.5
D331,851 S * 12/1992 Bennett D6/685
D334,313 S * 3/1993 Grosfillex D6/692
D351,300 S * 10/1994 Cox D6/692.4
D360,549 S * 7/1995 Laske D6/692
D361,458 S * 8/1995 Laske D6/692.4

(Continued)

(**) Term: **15 Years**
(21) Appl. No.: **29/505,396**
(22) Filed: **Oct. 9, 2015**

OTHER PUBLICATIONS

U.S. Office Action on U.S. Appl. No. 29/505,397 Dtd Nov. 25, 2016.
(Continued)

(30) **Foreign Application Priority Data**
Apr. 10, 2015 (WO) DM/086073

Primary Examiner — John Windmuller
Assistant Examiner — Steven Czyz
(74) *Attorney, Agent, or Firm* — Foley & Lardner LLP

(51) **LOC (10) Cl.** **06-04**
(52) **U.S. Cl.**
USPC **D6/692**

(57) **CLAIM**
The ornamental design for a table, as shown and described.

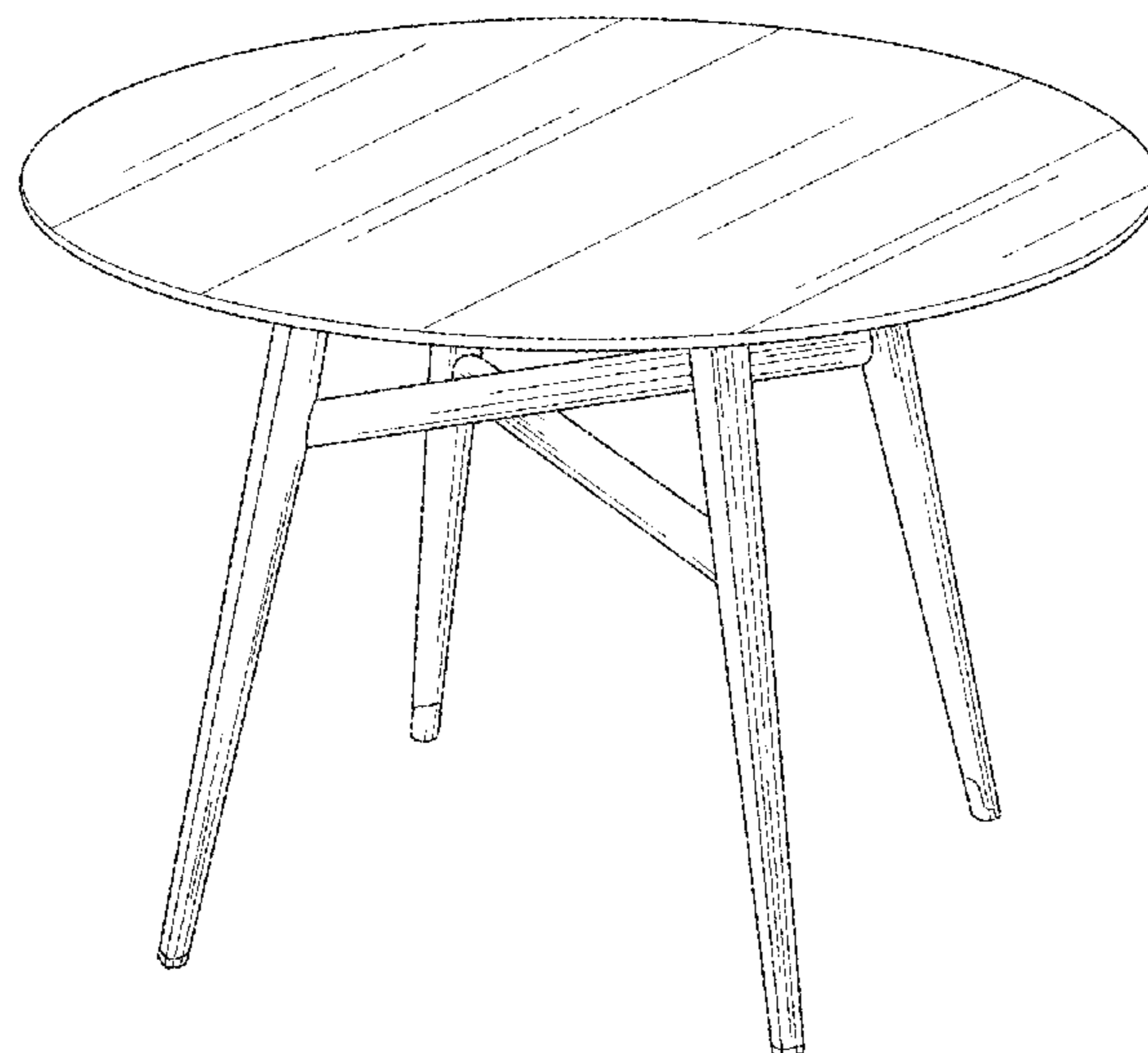
(58) **Field of Classification Search**
USPC D6/641, 685, 692, 708.16; 108/150, 151,
108/152, 156, 157.18, 161; 248/188,
248/188.1, 188.8
CPC ... A47B 2009/006; A47B 13/00; A47B 13/02;
A47B 13/06; A47B 13/021; A47B
2200/0016; A47B 7/00; A47B 13/04;
A47B 13/023
See application file for complete search history.

DESCRIPTION

FIG. 1 is a front, top, right side perspective view of a table of the claimed design;
FIG. 2 is a right side elevational view of the table shown in FIG. 1;
FIG. 3 is a rear elevational view of the table shown in FIG. 1;
FIG. 4 is a left side elevational view of the table shown in FIG. 1;
FIG. 5 is a front elevational view of the table shown in FIG. 1;
FIG. 6 is a top plan view of the table shown in FIG. 1;
FIG. 7 is a bottom plan view of the table shown in FIG. 1;
and,
FIG. 8 is a front, right side perspective view of the table shown in FIG. 1.
The broken lines depict portions of the article that form no part of the claimed design.

(56) **References Cited**
U.S. PATENT DOCUMENTS
2,010,342 A * 8/1935 Woods A47B 3/12
108/157.18
2,977,169 A * 3/1961 Geller A47B 9/16
108/127
3,312,355 A * 4/1967 Steinmetz A47B 13/06
211/189
D237,929 S * 12/1975 Laylon et al. D6/692

1 Claim, 8 Drawing Sheets



(56)

References Cited

U.S. PATENT DOCUMENTS

D362,983 S * 10/1995 Magnusson D6/692
D366,580 S * 1/1996 Berry, Jr. D6/692
D367,785 S * 3/1996 Lewis D6/692
D400,741 S * 11/1998 Schubert D6/692
6,016,756 A * 1/2000 McMahon A47B 13/021
108/156
D419,798 S * 2/2000 Schacht D6/692
D426,088 S * 6/2000 Hodge D6/692
D440,434 S * 4/2001 Vanderbyl D6/692.1
D454,734 S * 3/2002 Sabo D6/692
D477,475 S * 7/2003 Moore D6/692.4
D554,394 S * 11/2007 Jaramillo D6/692.1
D606,337 S * 12/2009 Lee D6/349
D662,735 S * 7/2012 Polidoros A47B 3/12
D6/708.16
D666,845 S * 9/2012 Lievore D6/691
D692,709 S * 11/2013 Polidoros D6/708.16
D716,568 S * 11/2014 Nigro D6/349
D764,848 S * 8/2016 Gill D6/708
2010/0269738 A1 * 10/2010 Collins A47B 13/06
108/157.16

OTHER PUBLICATIONS

Notice of Allowance in U.S. Appl. No. 29/505,397 dated Mar. 24, 2017.

* cited by examiner

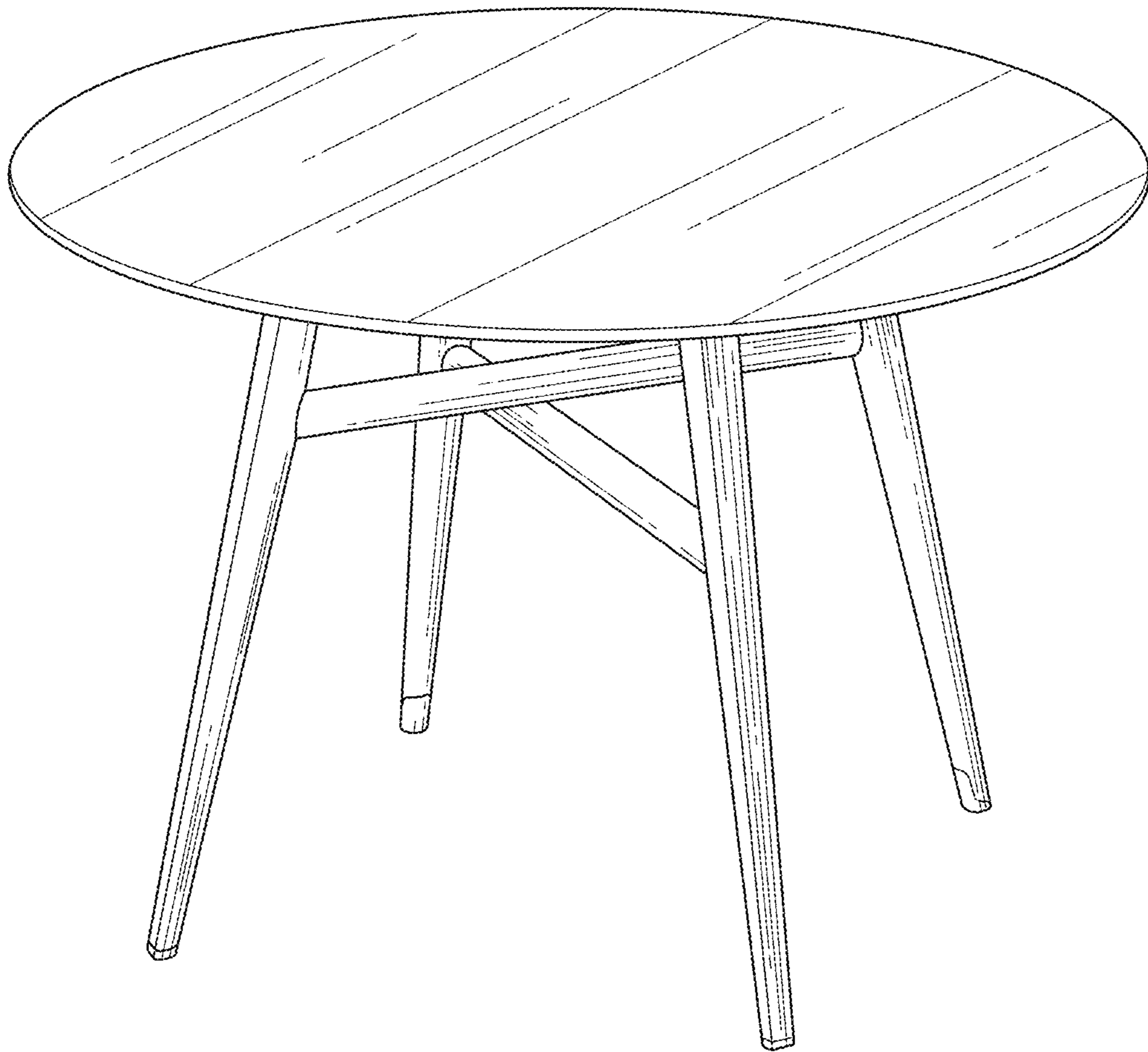


FIG. 1

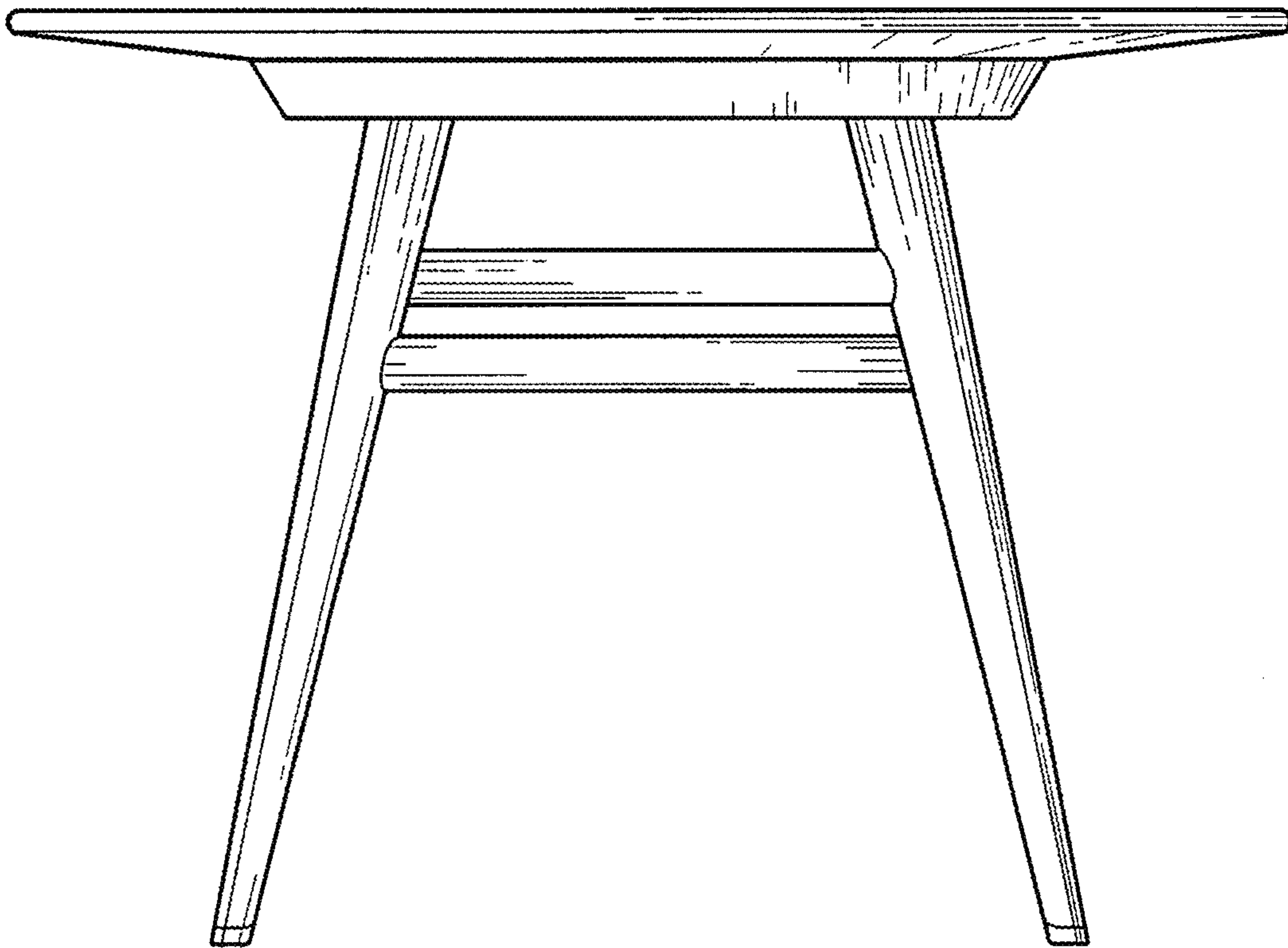


FIG. 2

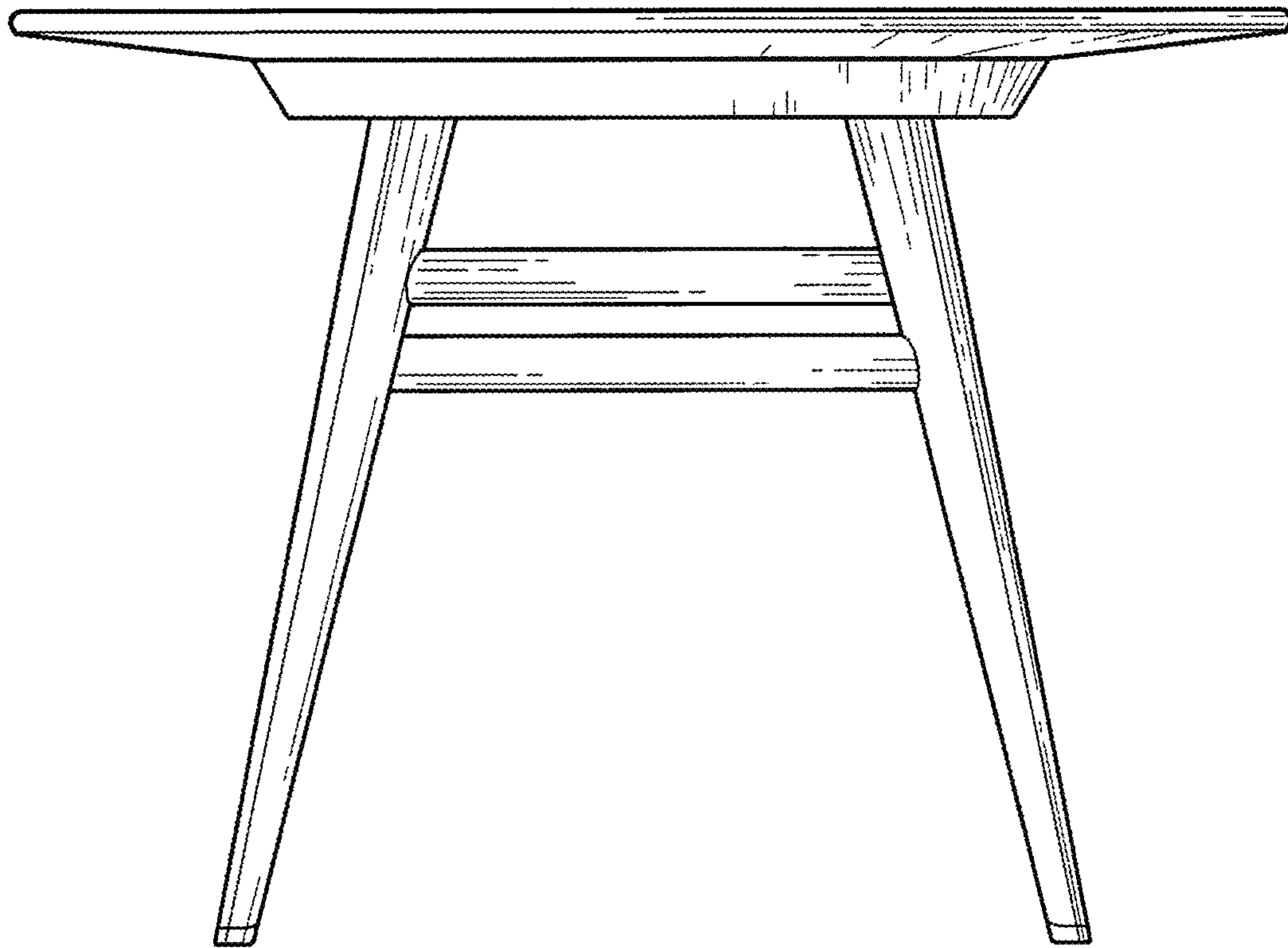


FIG. 3

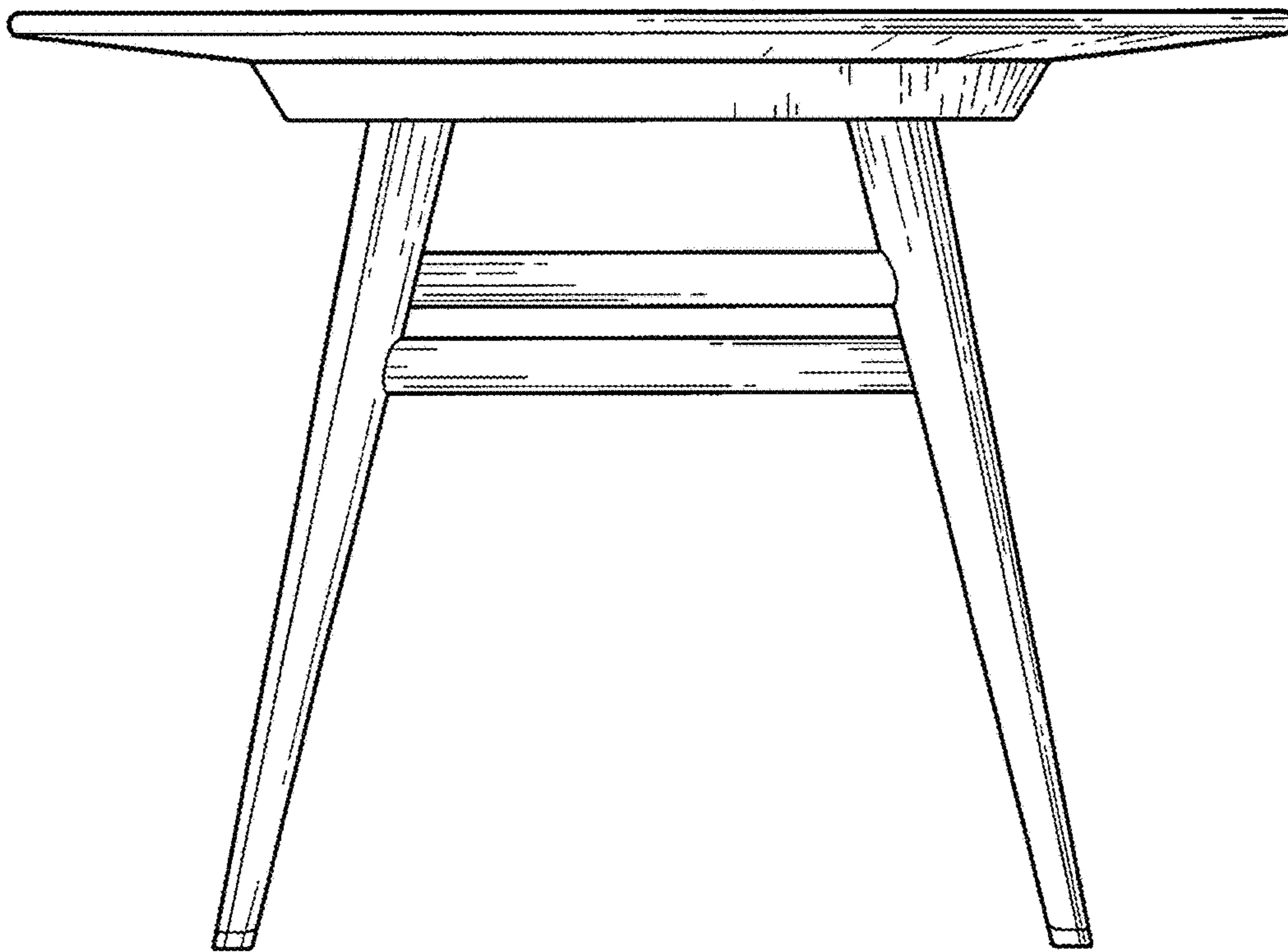


FIG. 4

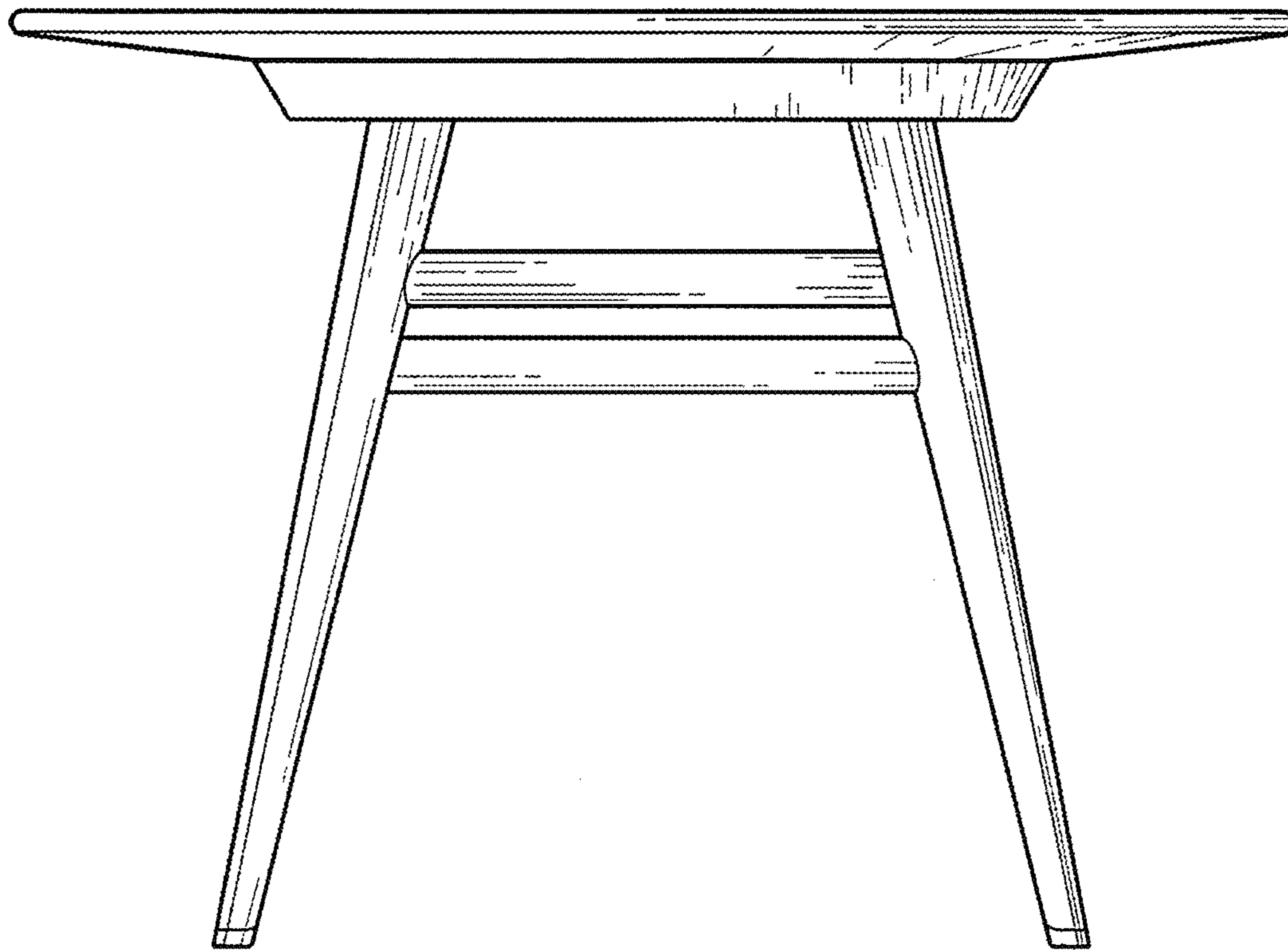


FIG. 5

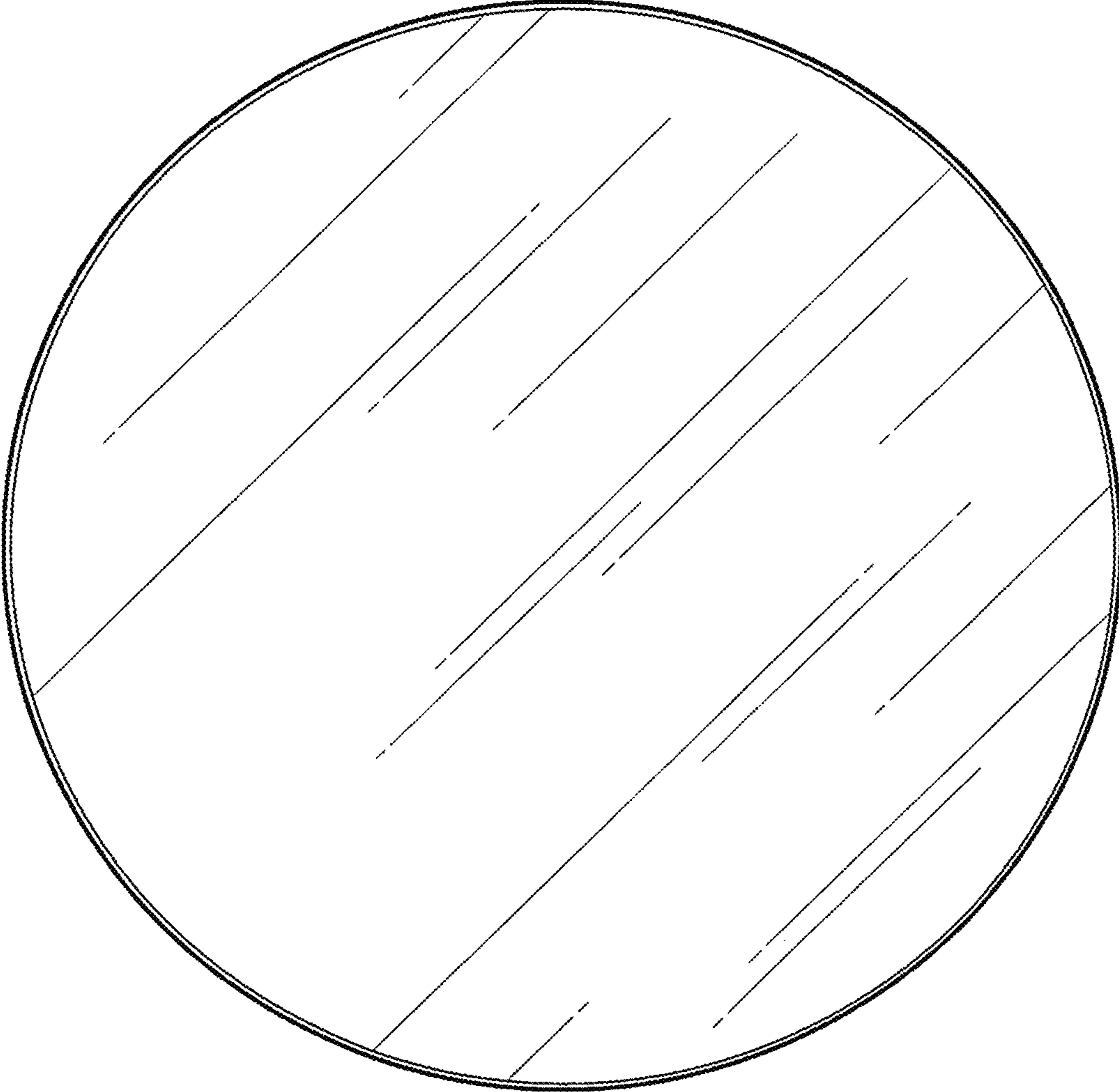


FIG. 6

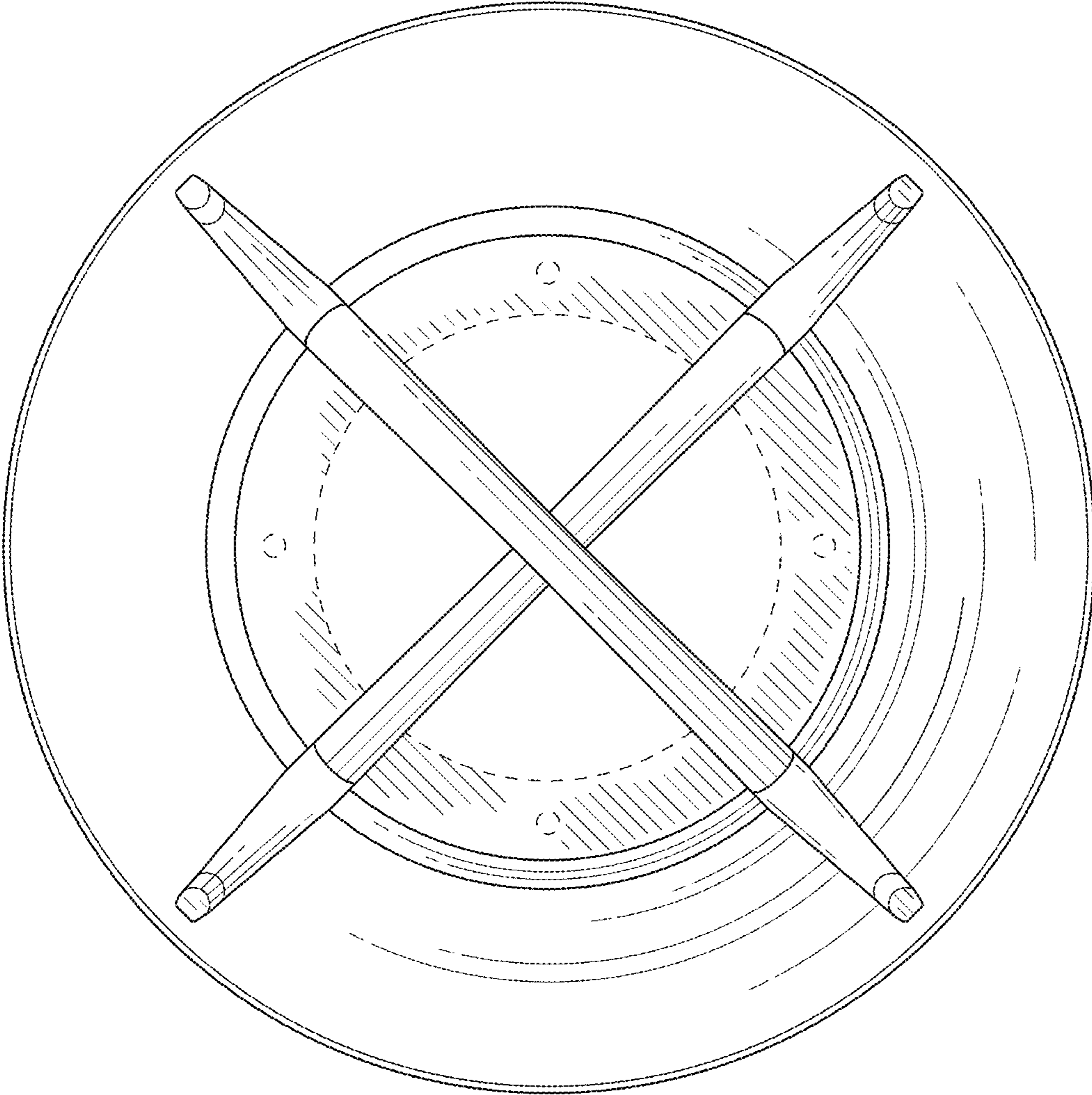


FIG. 7

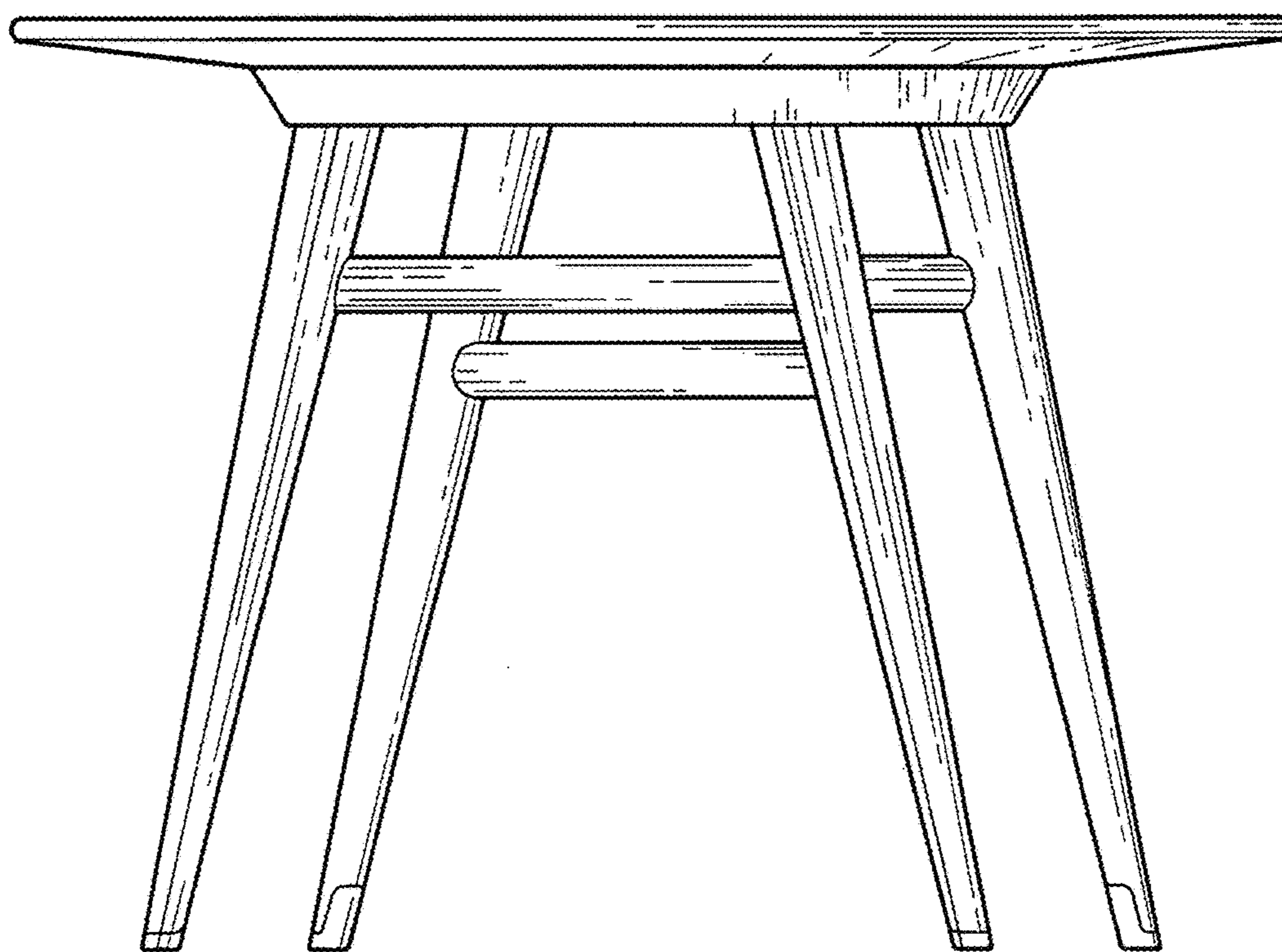


FIG. 8