



US00D793132S

(12) **United States Design Patent** (10) **Patent No.:** **US D793,132 S**
Liu (45) **Date of Patent:** **** Aug. 1, 2017**

(54) **DINING TABLE**

(71) Applicant: **Wenlong Liu**, Dongguan (CN)

(72) Inventor: **Wenlong Liu**, Dongguan (CN)

(**) Term: **15 Years**

(21) Appl. No.: **29/539,572**

(22) Filed: **Sep. 15, 2015**

(51) **LOC (10) Cl.** **06-03**

(52) **U.S. Cl.**
USPC **D6/688.19**

(58) **Field of Classification Search**
USPC D6/334, 335, 349, 353, 355, 641, 642,
D6/651, 652, 655, 655.1, 655.14, 655.21,
D6/685, 686, 688, 688.1, 688.11, 688.19,
D6/688.21, 691, 691.1, 691.3, 691.8,
D6/691.9, 708, 708.1, 708.13, 708.14,
D6/709, 709.1, 709.15, 688.17
CPC A47B 3/00; A47B 3/002; A47B 2003/008;
A47B 5/04; A47B 7/00; A47B 19/08;
A47B 21/00; A47B 83/02; A47B
21/0314; A47B 2021/0335; A47C 4/021;
A47C 11/00; A47C 13/00

See application file for complete search history.

(56) **References Cited**

U.S. PATENT DOCUMENTS

D470,342 S *	2/2003	Vaaler	D6/688.19
D569,660 S *	5/2008	Schmitt	D6/688.11
D586,154 S *	2/2009	Schmitt	D6/688.19
D597,768 S *	8/2009	Schmitt	D6/688.19
D610,837 S *	3/2010	Schmitt	D6/688.17
D645,277 S *	9/2011	Schmitt	D6/688.19

* cited by examiner

Primary Examiner — Mary Ann Calabrese

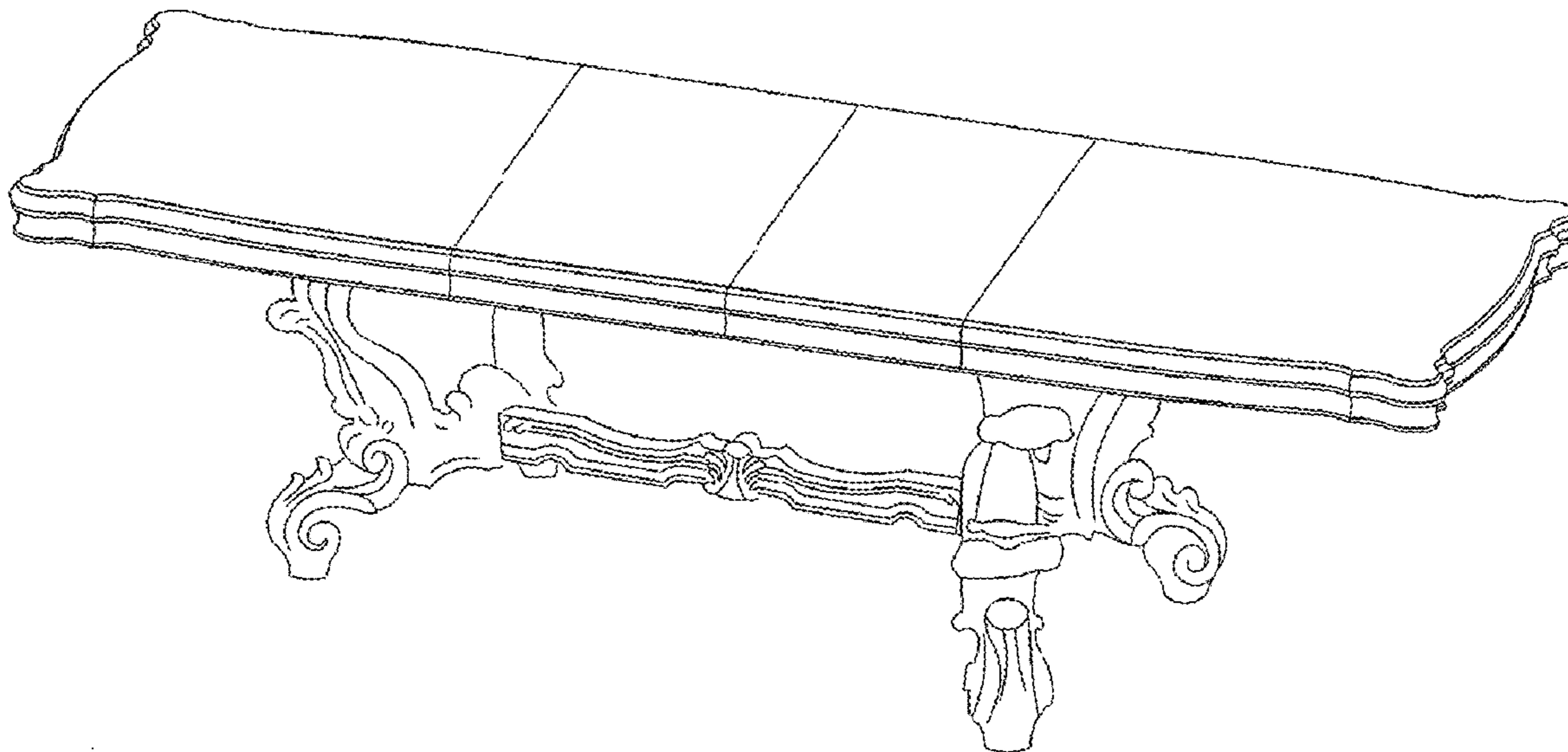
(57) **CLAIM**

The ornamental design for a dining table, as shown and described.

DESCRIPTION

FIG. 1 is a left side view of a dining table showing my new design, the right side (not shown) being a mirror image thereof;
FIG. 2 is a front view thereof;
FIG. 3 is rear view thereof; and,
FIG. 4 is a perspective view thereof.

1 Claim, 4 Drawing Sheets



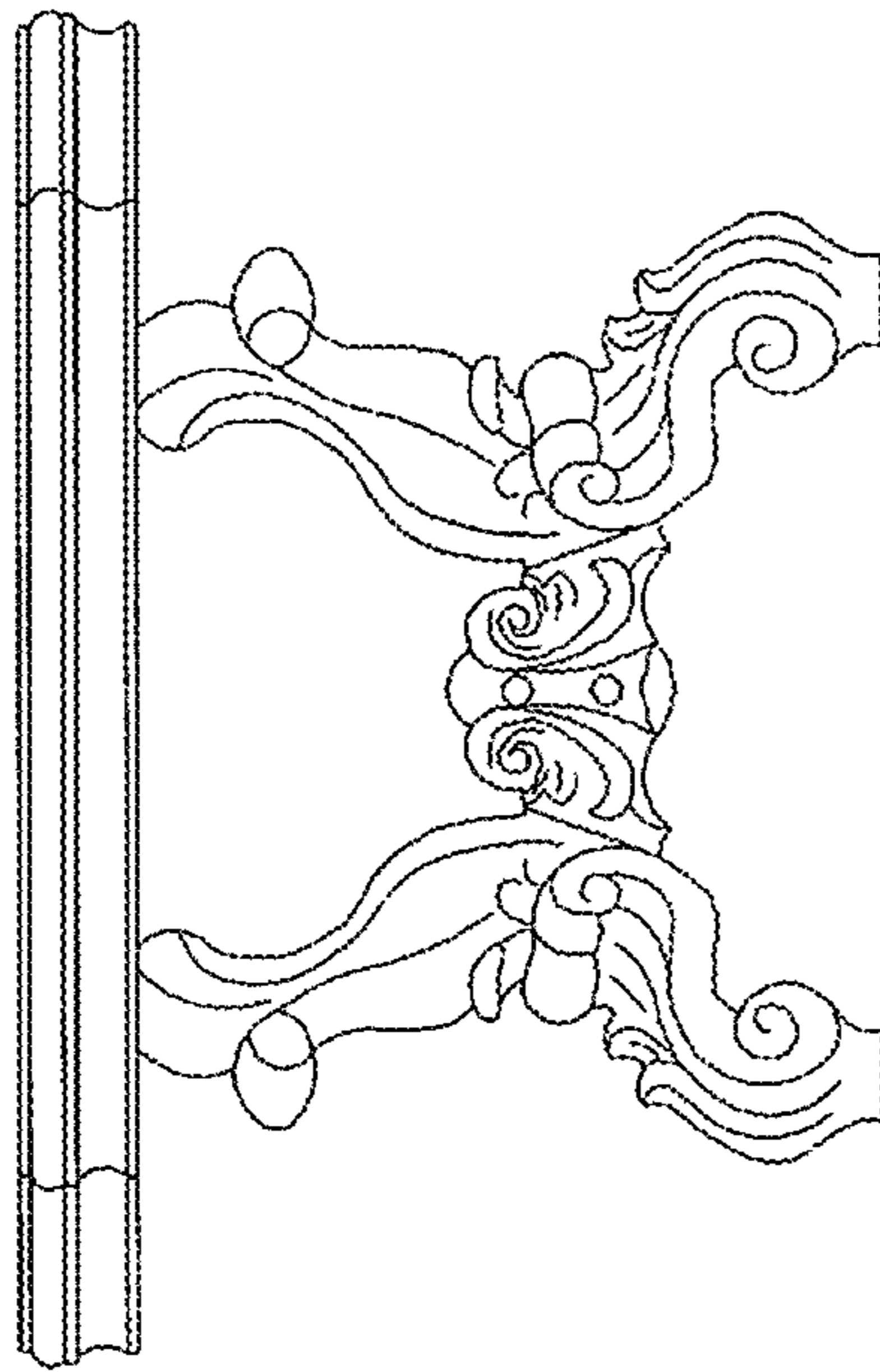


FIG. 1

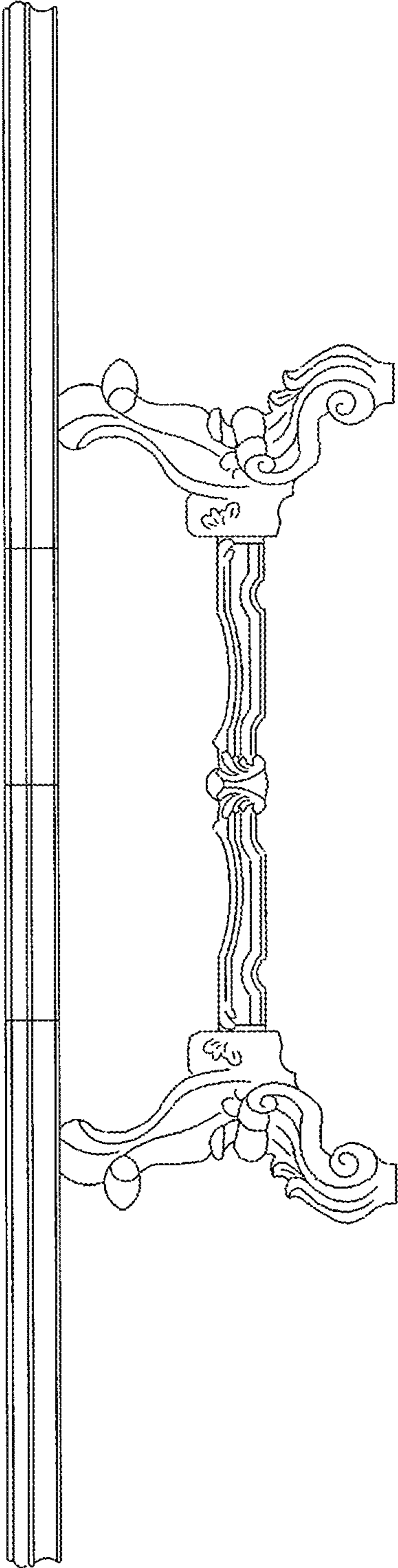


FIG. 2

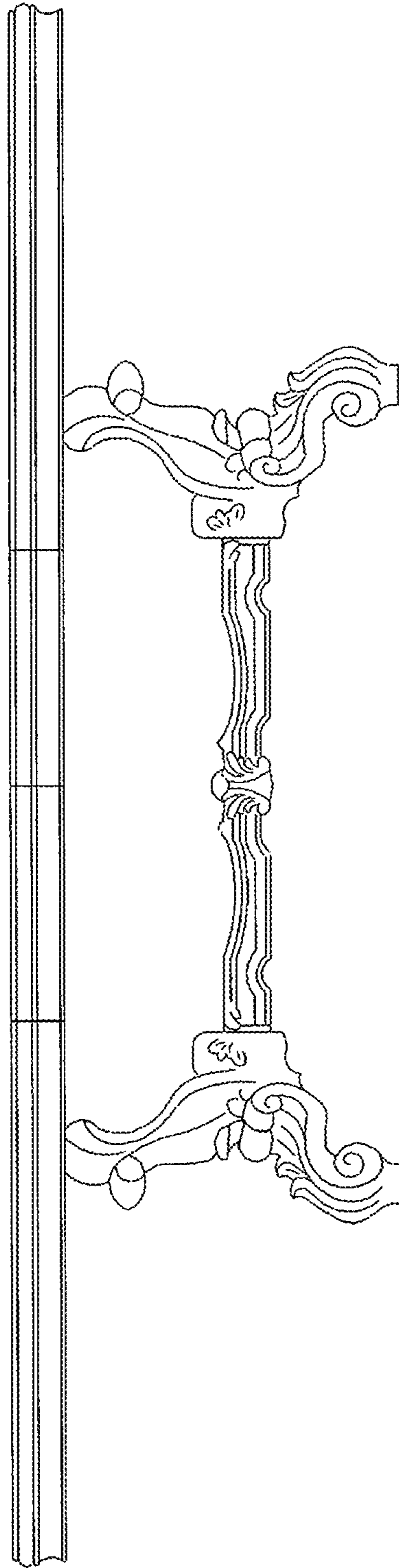


FIG. 3

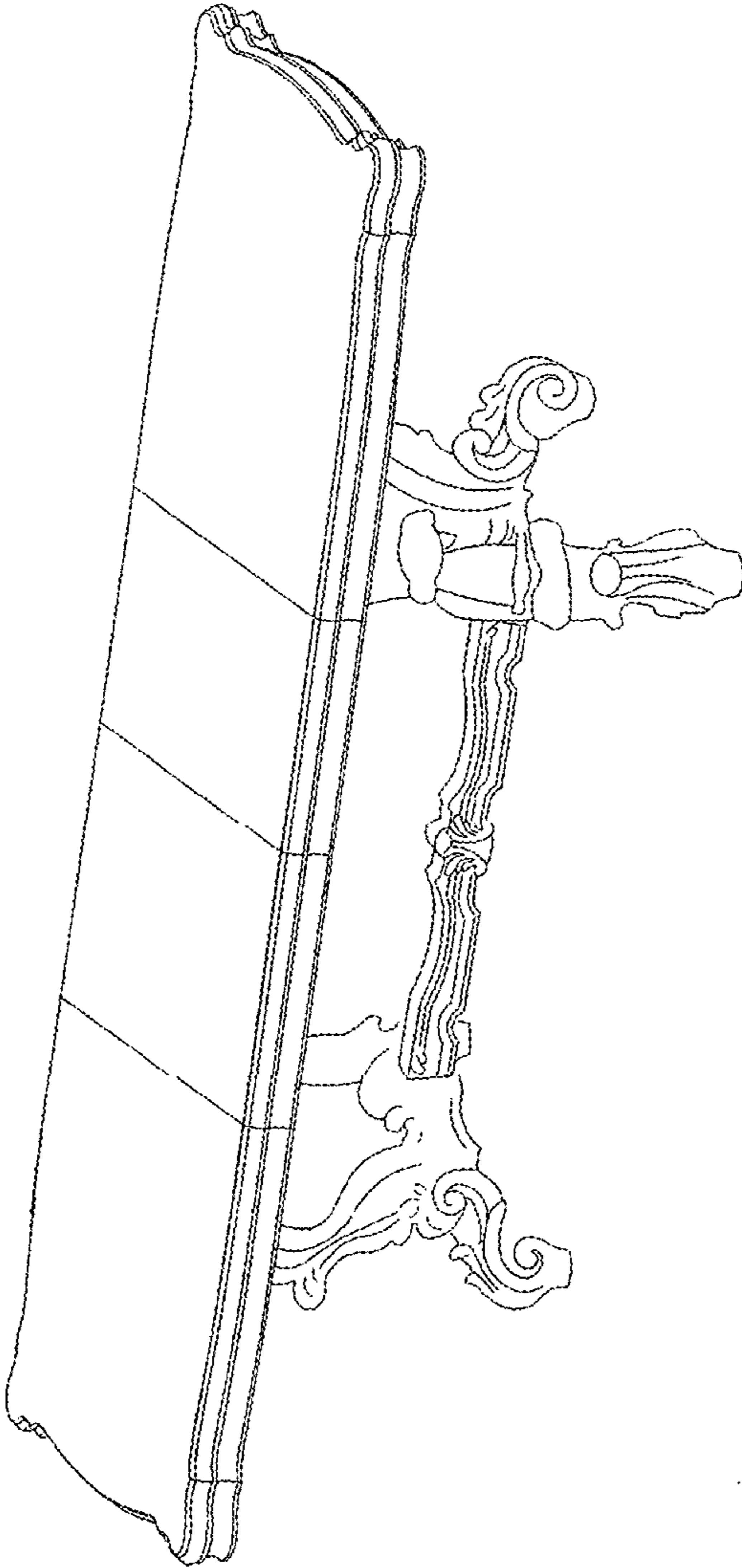


FIG. 4