

US00D793131S

(12) **United States Design Patent** (10) **Patent No.:** **US D793,131 S**
Gazit (45) **Date of Patent:** **** *Aug. 1, 2017**

(54) **STAND APPARATUS FOR INFLATABLES**

(71) Applicant: **Doron Gazit**, North Hollywood, CA (US)

(72) Inventor: **Doron Gazit**, North Hollywood, CA (US)

(73) Assignee: **AIR DIMENSIONAL DESIGN, INC.**, North Hollywood, CA (US)

(*) Notice: This patent is subject to a terminal disclaimer.

(**) Term: **14 Years**

(21) Appl. No.: **29/513,631**

(22) Filed: **Jan. 2, 2015**

Related U.S. Application Data

(63) Continuation-in-part of application No. 29/513,627, filed on Jan. 2, 2015, which is a continuation-in-part of application No. 29/513,629, filed on Jan. 2, 2015.

(51) **LOC (10) Cl.** **06-04**

(52) **U.S. Cl.**
USPC **D6/681.3**; D6/681.1

(58) **Field of Classification Search**
USPC D6/315, 317, 319, 324, 327, 328, 700, D6/701, 702, 552, 681, 681.1, 681.3, 403; D3/5, 6, 7, 10; D26/107, 65, 24, 61, 63, D26/93, 102, 104, 108, 110, 62; D24/128; D20/10, 41; 362/351, 362, 362/363, 410, 414; 211/13.1, 85.2, 85.3, 211/205, 34, 85.1, 85.11, 16, 22, 30, 33; 248/176.1

CPC ... A47F 5/04; A47F 7/02; A45B 19/04; A47G 25/0664; F21S 6/005; F21S 8/086; F21S 6/00; F21S 6/002; F21S 6/004; F21S 6/008; F21S 8/08; F21V 21/12; F21V 3/026; F21V 21/02; F21V 21/14; F21W 2131/10; F21W 2131/30

See application file for complete search history.

(56) **References Cited**

U.S. PATENT DOCUMENTS

D120,114 S * 4/1940 Waechter D6/701
2,284,770 A * 6/1942 Scheuer A47F 5/04
211/196

(Continued)

FOREIGN PATENT DOCUMENTS

IT BS2012O00025 * 10/2012

OTHER PUBLICATIONS

Pipe Floor Lamp, available Jul. 31, 2016, [online], [site visited Aug. 3, 2016]. Available from internet, <URL: <https://www.etsy.com/listing/257968831/pipe-floor-lamp-4-fixture-living-room?ref=related-1>>.*

(Continued)

Primary Examiner — Cathron Brooks

Assistant Examiner — Teddy Falloway

(74) *Attorney, Agent, or Firm* — Law Office of David Hong

(57) **CLAIM**

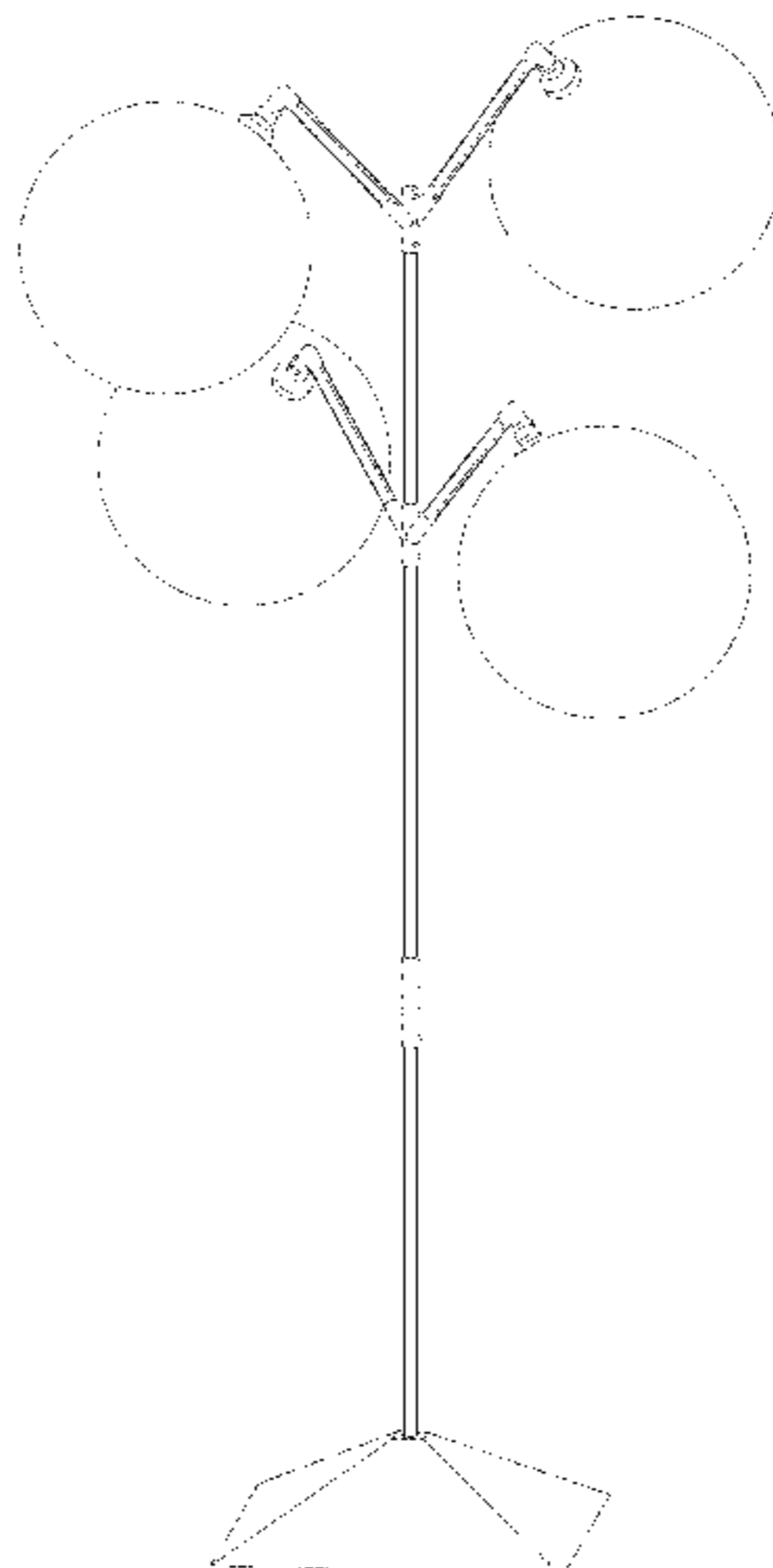
The ornamental design for a stand apparatus for inflatables, as shown and described.

DESCRIPTION

FIG. 1 is a perspective view of my new design for a stand apparatus for inflatables;
FIG. 2 is a first side elevational view thereof;
FIG. 3 is a second side elevational view thereof.
FIG. 4 is a third side elevational view thereof;
FIG. 5 is a fourth side elevational view thereof;
FIG. 6 is a top view thereof; and,
FIG. 7 is a bottom view thereof.

The broken lines shown in the drawing views are included for the purpose of showing environmental structure that forms no part of the claimed design.

1 Claim, 7 Drawing Sheets



(56)

References Cited

U.S. PATENT DOCUMENTS

D260,338 S * 8/1981 Savage D6/681.1
 D328,204 S * 7/1992 Todd D6/680.2
 D339,667 S * 9/1993 Fitzpatrick D32/58
 5,454,473 A * 10/1995 Hennessey A47F 5/04
 211/189
 D382,597 S * 8/1997 Vetro D20/41
 D394,926 S * 6/1998 Lindsay D32/58
 D398,469 S * 9/1998 Leong D6/552
 D421,664 S * 3/2000 Sherman D26/140
 D428,278 S * 7/2000 Yang D6/674
 D429,921 S * 8/2000 Allanson D6/681.1
 6,186,857 B1 2/2001 Gazit
 D439,442 S * 3/2001 Adams D6/681.3
 D450,474 S * 11/2001 Sokoloff D6/681.3
 D465,946 S * 11/2002 Boyd, Jr. D6/681.3
 D487,831 S * 3/2004 Savoie D32/58
 D520,098 S * 5/2006 LeMoine D21/796
 D567,871 S * 4/2008 Stead D20/10
 D583,425 S * 12/2008 Kushner D21/686
 D601,817 S * 10/2009 Barbieri D6/327
 7,611,395 B2 * 11/2009 Bonsembiante A63H 27/10
 362/253
 D610,370 S * 2/2010 Quan D6/681.3
 D624,689 S * 9/2010 Kao D26/102
 D637,832 S * 5/2011 Russell D6/405
 D655,530 S * 3/2012 Denby D6/681.1
 D655,877 S * 3/2012 Greenway D32/58
 D664,374 S * 7/2012 Capella D6/681.3
 D665,190 S * 8/2012 Fitzpatrick D6/681.3
 D684,353 S * 6/2013 Grohs D3/5
 D699,486 S * 2/2014 Huang D6/681.3
 D704,956 S * 5/2014 English D6/552
 D715,985 S * 10/2014 Anastasiades D26/88
 D724,251 S * 3/2015 Anastasiades D26/93
 D724,252 S * 3/2015 Anastasiades D26/93
 D724,253 S * 3/2015 Anastasiades D26/93
 D732,230 S * 6/2015 Anastasiades D26/93
 D732,231 S * 6/2015 Anastasiades D26/93
 D736,548 S * 8/2015 Hornsby D6/681.1
 D737,496 S * 8/2015 Swanson D26/65
 D737,605 S * 9/2015 Hornsby D6/681.1
 D761,601 S * 7/2016 Simmons D6/681
 2003/0079766 A1 * 5/2003 Arrowood A45F 3/44
 135/16
 2007/0006905 A1 * 1/2007 You A45B 19/10
 135/31

2007/0159836 A1 * 7/2007 Huang F21S 8/086
 362/431
 2010/0300900 A1 * 12/2010 Quan A45C 11/16
 206/6.1
 2012/0055893 A1 * 3/2012 Wisniewski A47G 25/0664
 211/85.3
 2012/0145207 A1 * 6/2012 VanVonderen E04F 11/181
 135/98
 2012/0223193 A1 * 9/2012 Hurley F16M 11/10
 248/163.1
 2012/0300451 A1 * 11/2012 Jin F21V 23/06
 362/231
 2015/0153012 A1 * 6/2015 Swanson F21V 21/30
 362/249.09

OTHER PUBLICATIONS

Tetra Light (via Dezeen magazine), available Oct. 13, 2008, [online], [site visited Aug. 3, 2016]. Available from internet, <URL: <http://www.dezeen.com/2008/10/13/tetra-light-by-peter-liversidge-and-asif-khan/>>.*
 Messina Parasol, available Feb. 19, 2014, [online], [site visited Aug. 3, 2016]. Available from internet, <URL: https://www.ambientdirect.com/en/skagerak/messina-parasol-o210cm_pid_666_5182.html>.*
 Samson Speaker Stand, available Jun. 5, 2014, [online], [site visited Aug. 3, 2016]. Available from internet, <URL: <http://www.samsontech.com/samson/products/accessories/speaker-stands/sp100/>>.*
 Airstar Space Lighting, www.airstar-light.us, Solarc, technical data sheet, 2006.
 Airstar Lighting, www.airstar-light.us, Crystal, technical data sheet, 2006.
 Airstar Lighting, www.airstar-light.us, Lunix, technical data sheet, 2006.
 U.S. Appl. No. 62/099,572, filed Jan. 4, 2015; Stand Apparatus for Inflatables; Inventor: Gazit.
 Design U.S. Appl. No. 29/513,627, filed Jan. 2, 2015; Stand Apparatus for Inflatables; Inventor: Gazit.
 Design U.S. Appl. No. 29/513,629, filed Jan. 2, 2015; Stand Apparatus for Inflatables; Inventor: Gazit.
 U.S. Appl. No. 61/923,754, filed Jan. 5, 2014; Stand for Inflatables; Inventor: Gazit.

* cited by examiner

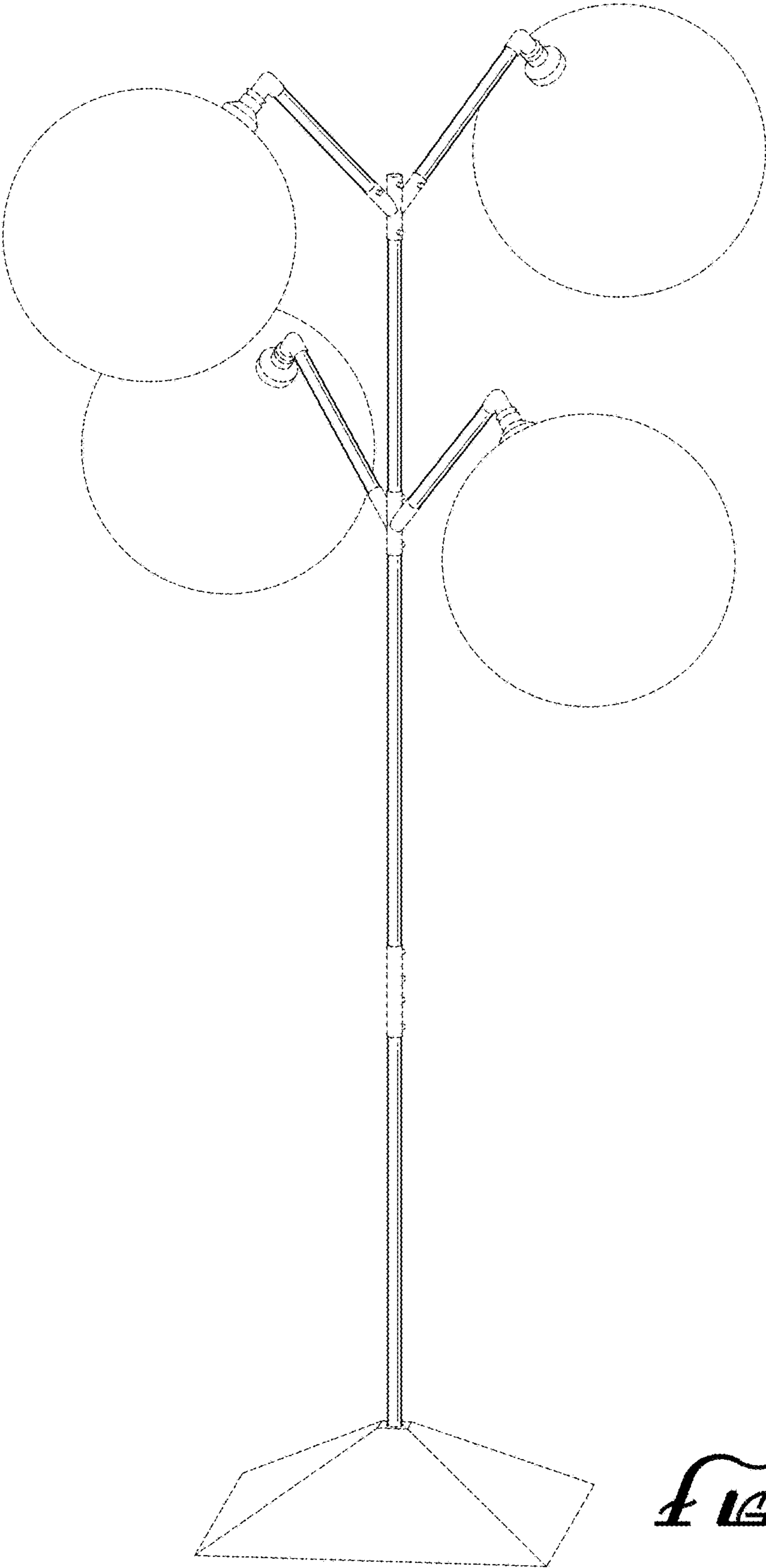


FIG. 1

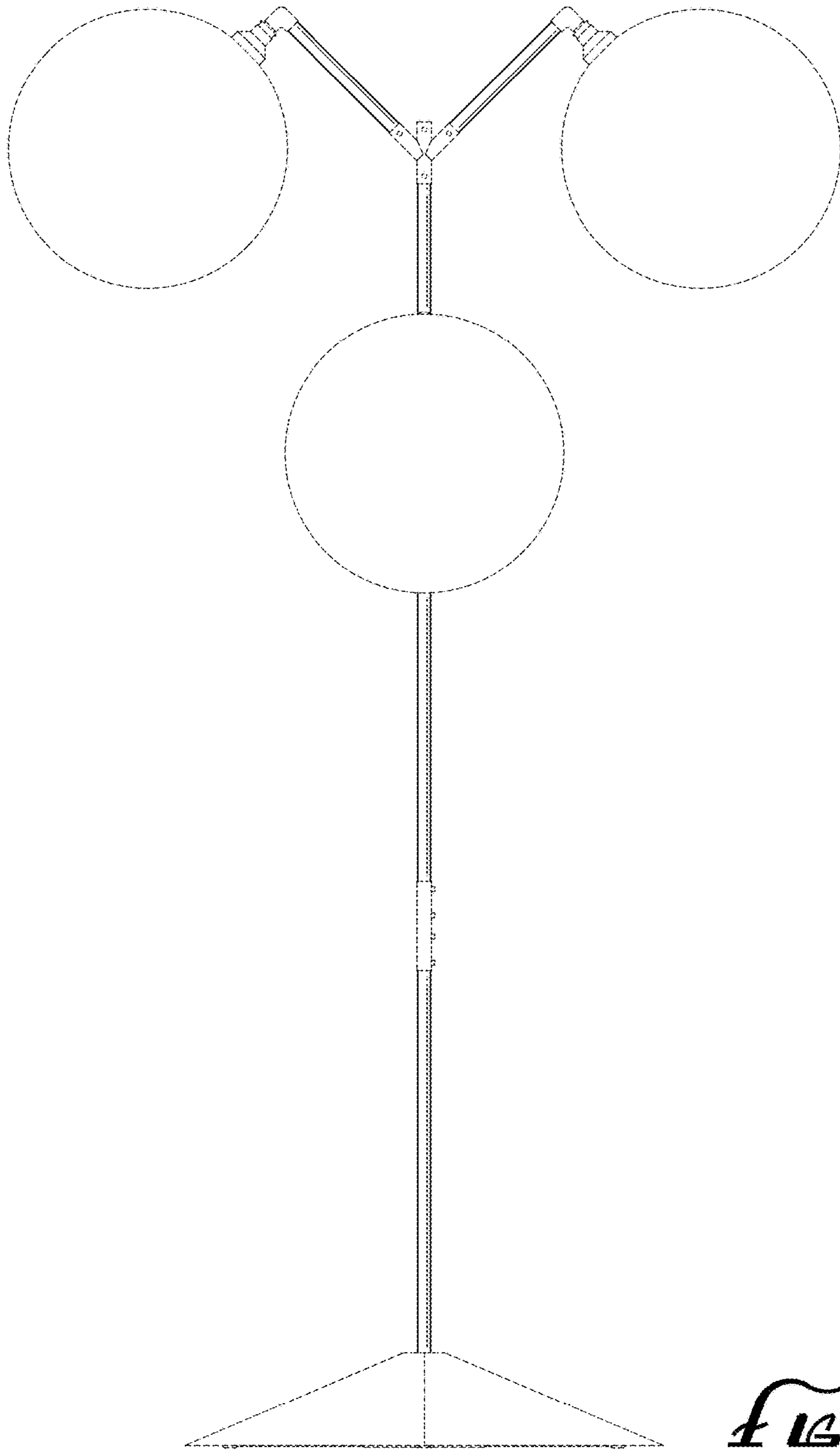


FIG. 2

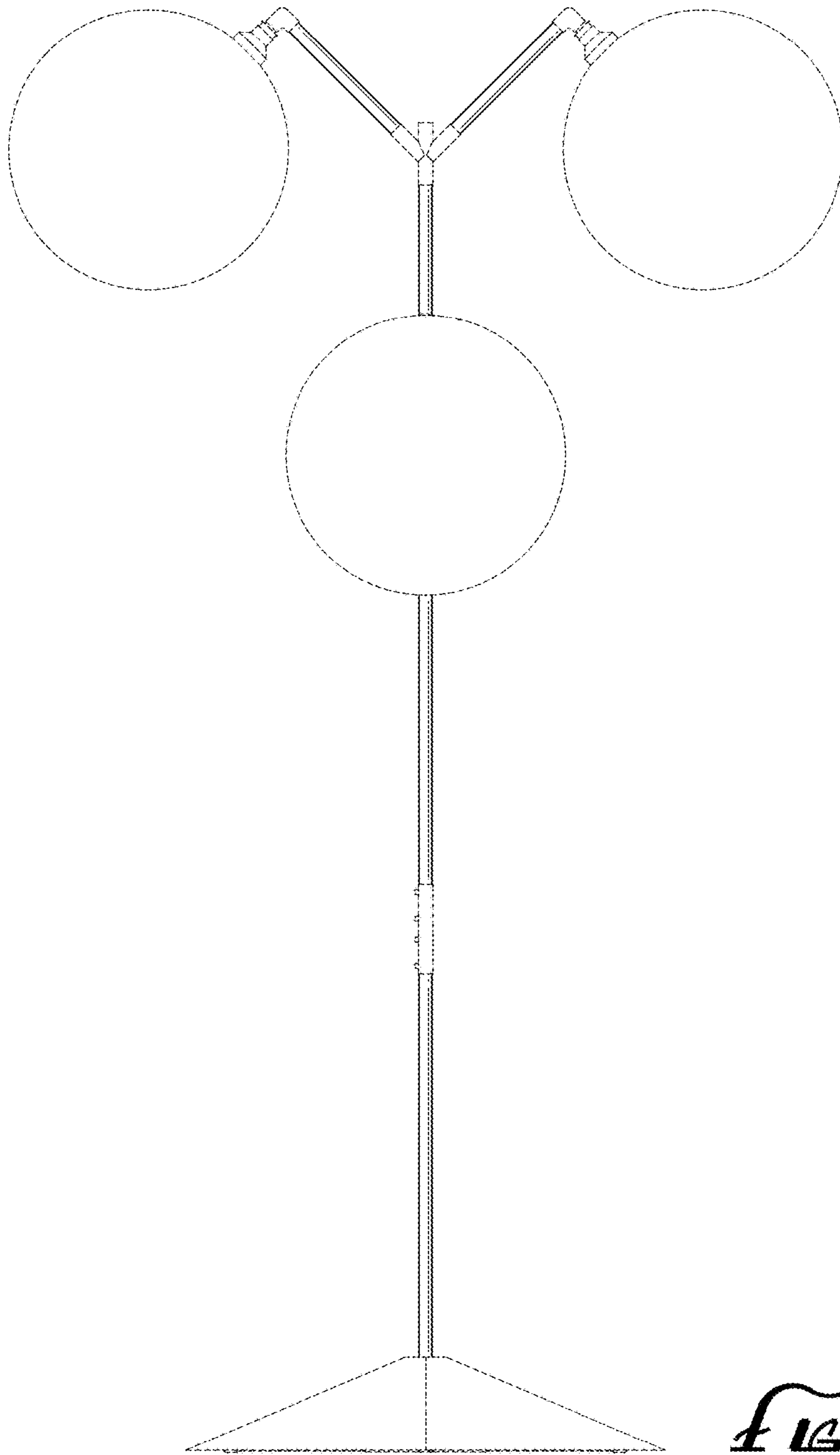


Fig. 3

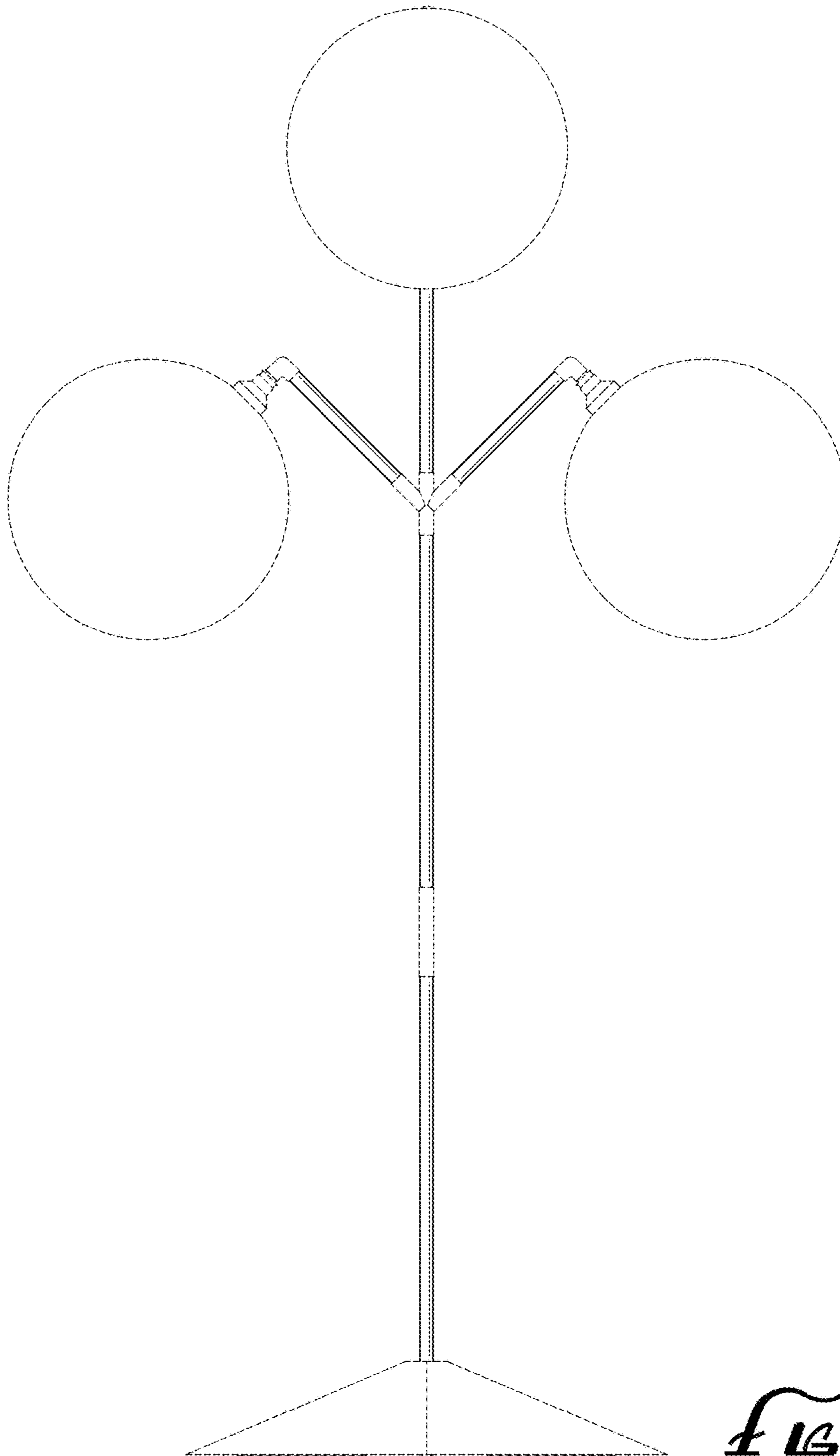


FIG. 4

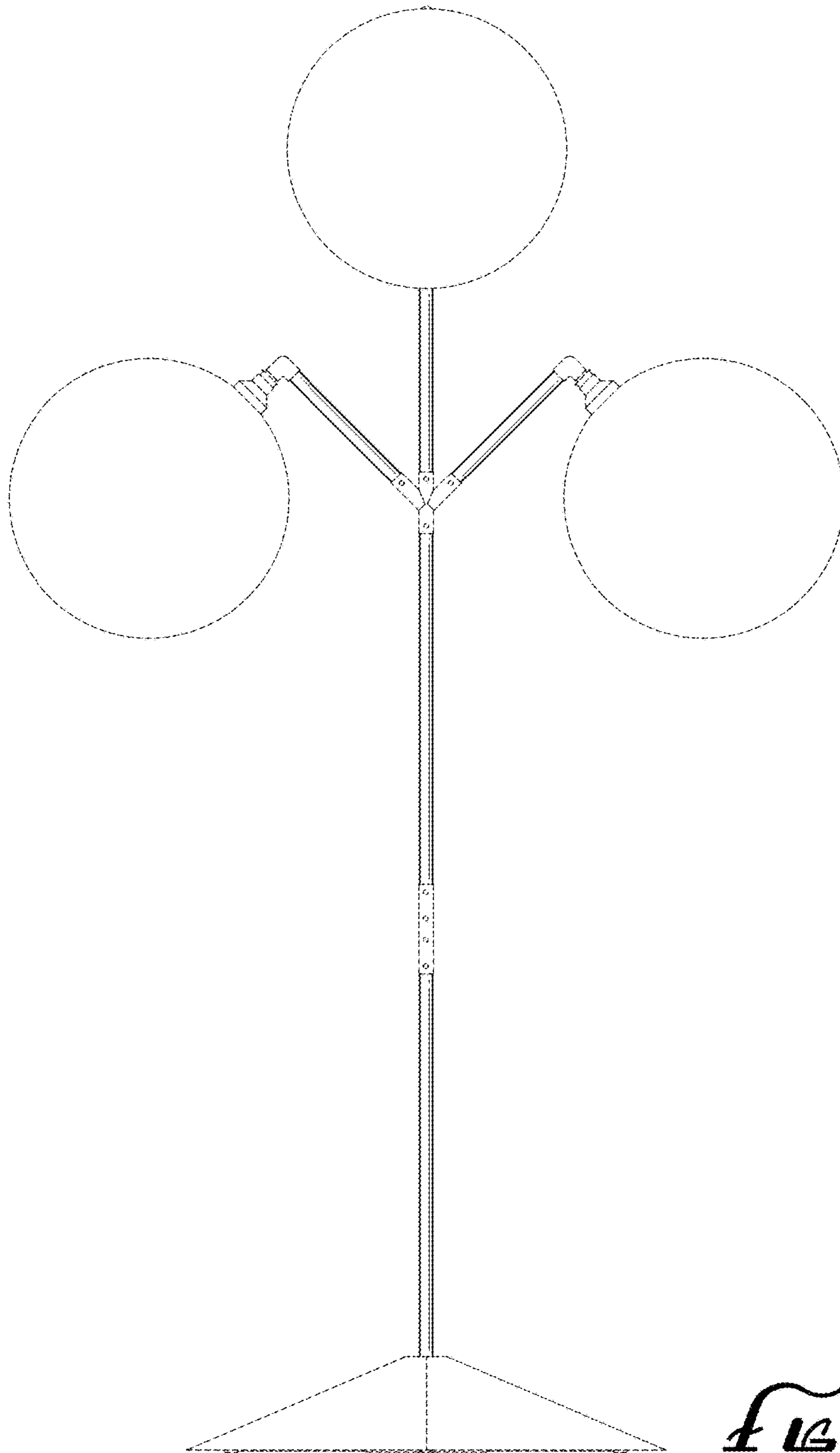


FIG. 5

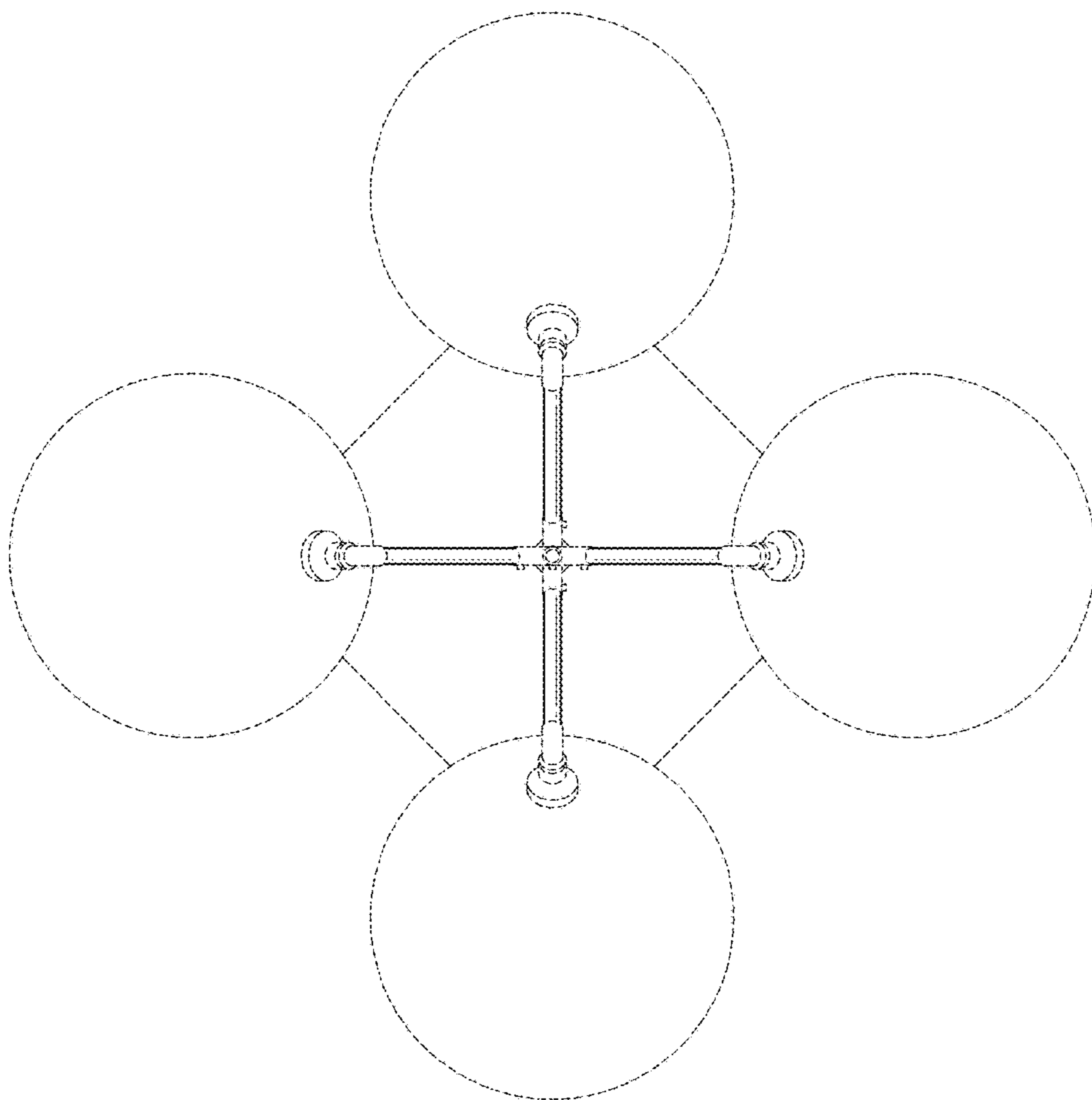


FIG. 6

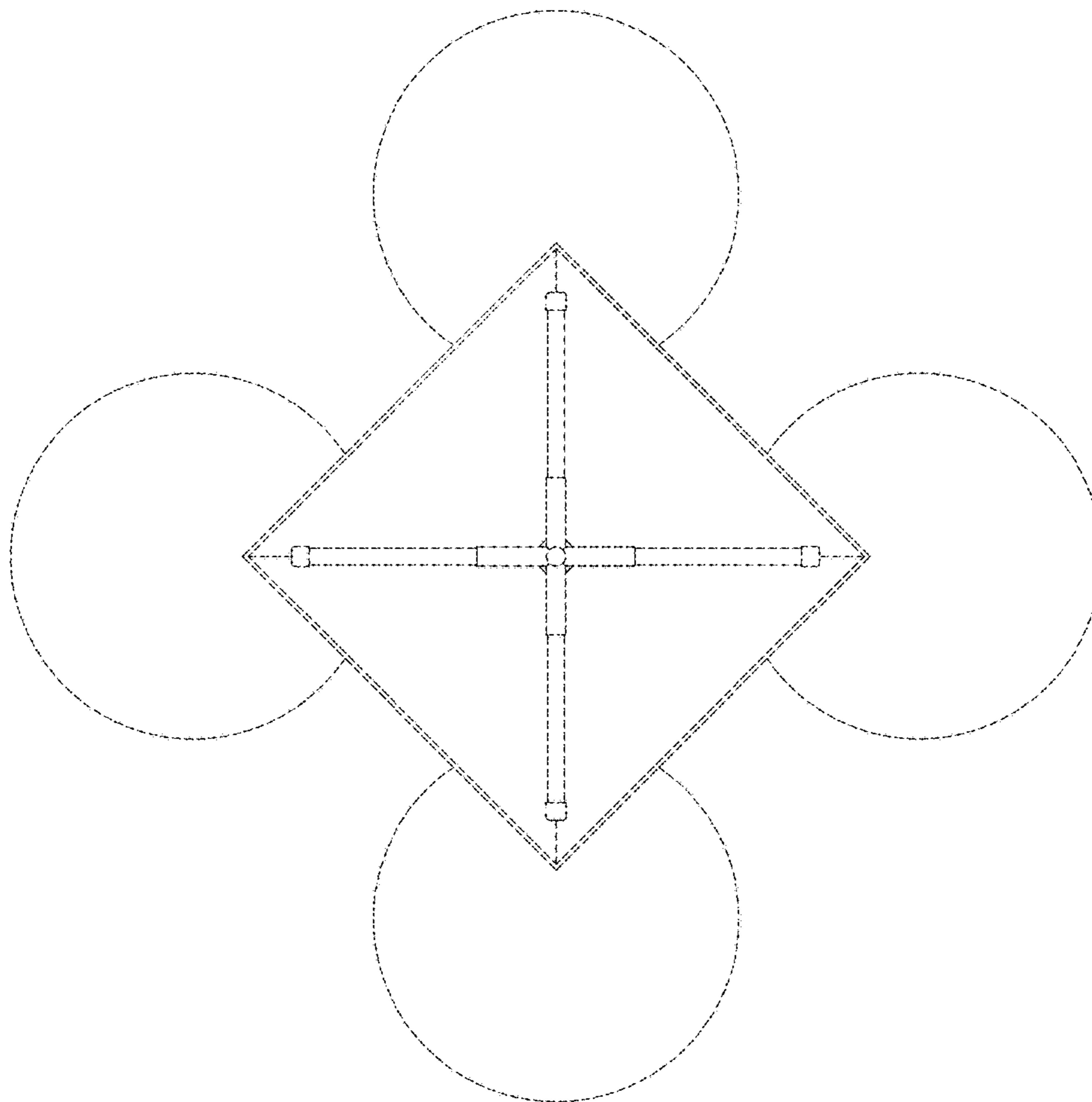


FIG. 7