



US00D793130S

(12) **United States Design Patent** (10) **Patent No.:** **US D793,130 S**
Ellison et al. (45) **Date of Patent:** **** Aug. 1, 2017**

(54) **DECORATIVE SHELVING UNIT** D407,920 S * 4/1999 Duffield D6/677.1
6,296,335 B1 * 10/2001 Compagnucci A47B 49/004
108/23

(71) Applicants: **Frances Ellison**, St. Louis, MO (US); D480,581 S * 10/2003 Searer D6/677.1
Andrew Andrasko, Webster Groves, MO (US) D549,985 S * 9/2007 Carroll D6/405
D561,539 S * 2/2008 Snider D7/600.2
D577,962 S * 10/2008 Bauer D7/552.2

(72) Inventors: **Frances Ellison**, St. Louis, MO (US); D601,365 S * 10/2009 LaValley D6/677.1
Andrew Andrasko, Webster Groves, MO (US) D603,187 S * 11/2009 Conway D6/677.1
D605,353 S * 12/2009 Lee D28/73
D642,405 S * 8/2011 Frohne D6/677.1
D656,758 S * 4/2012 Snider D6/677.2
D774,597 S * 12/2016 Lowery D21/336

(73) Assignee: **Frances Ellison**, St. Louis, MO (US) 2014/0339185 A1 * 11/2014 Ellison A47F 5/04
211/119.003

(**) Term: **15 Years**

(21) Appl. No.: **29/559,368**

(22) Filed: **Mar. 28, 2016**

Related U.S. Application Data

(63) Continuation of application No. 14/450,457, filed on Aug. 4, 2014, now abandoned, which is a continuation-in-part of application No. 13/901,665, filed on May 24, 2013, now abandoned.

(51) **LOC (10) Cl.** **06-06**

(52) **U.S. Cl.**
USPC **D6/677.1**

(58) **Field of Classification Search**
USPC D6/672, 673, 677, 677.1, 702, 705, 512;
D7/601, 602
CPC A47J 47/16; A47G 19/02; A47G 23/06;
A47F 5/0018; A47F 5/0043; A47F 5/04
See application file for complete search history.

(56) **References Cited**

U.S. PATENT DOCUMENTS

D149,046 S * 3/1948 Blumenthal et al. D7/501
3,951,079 A * 4/1976 Tolleson A47F 5/02
108/94
D241,192 S * 8/1976 Salcer D6/407
D354,862 S * 1/1995 Goldberg D6/677.1

* cited by examiner

Primary Examiner — Kelley Donnelly

(74) *Attorney, Agent, or Firm* — Ice Miller LLP

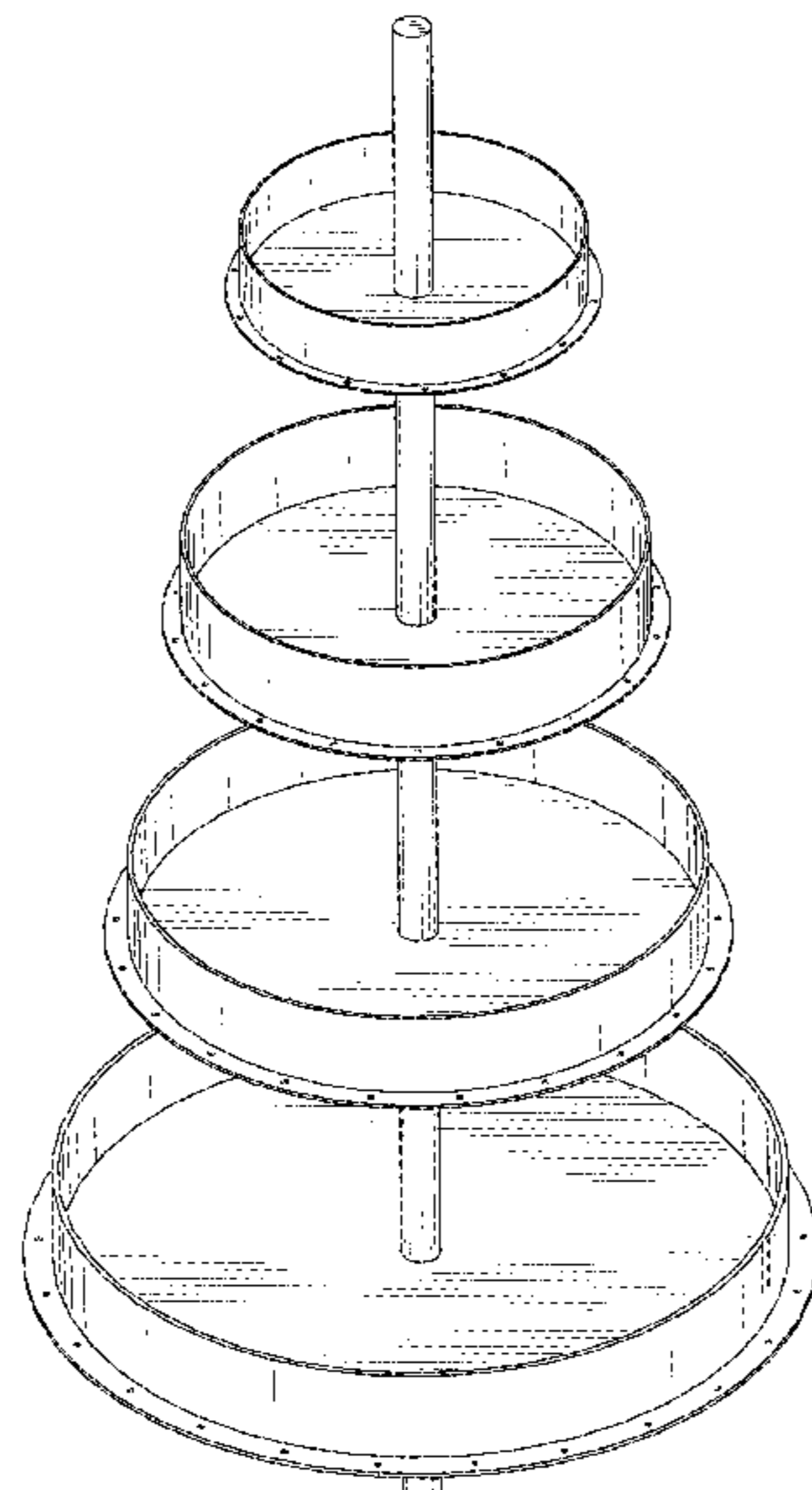
(57) **CLAIM**

The ornamental design for decorative shelving unit, as shown and described.

DESCRIPTION

FIG. 1 is a front perspective view of a decorative shelving unit, showing my new design;
FIG. 2 is a front elevational view thereof, and the opposite rear elevational view is a mirror image of the rear elevational view thereof;
FIG. 3 is a side elevational view thereof, and the opposite side elevational view is a mirror image of the side elevational view thereof;
FIG. 4 is an exploded view thereof;
FIG. 5 is a top plan view thereof;
FIG. 6 is a bottom plan view thereof;
FIG. 7 is a bottom perspective view thereof; and,
FIG. 8 is an expanded bottom view thereof.
The broken lines depict environmental subject matter only and form no part of the claimed design.

1 Claim, 7 Drawing Sheets



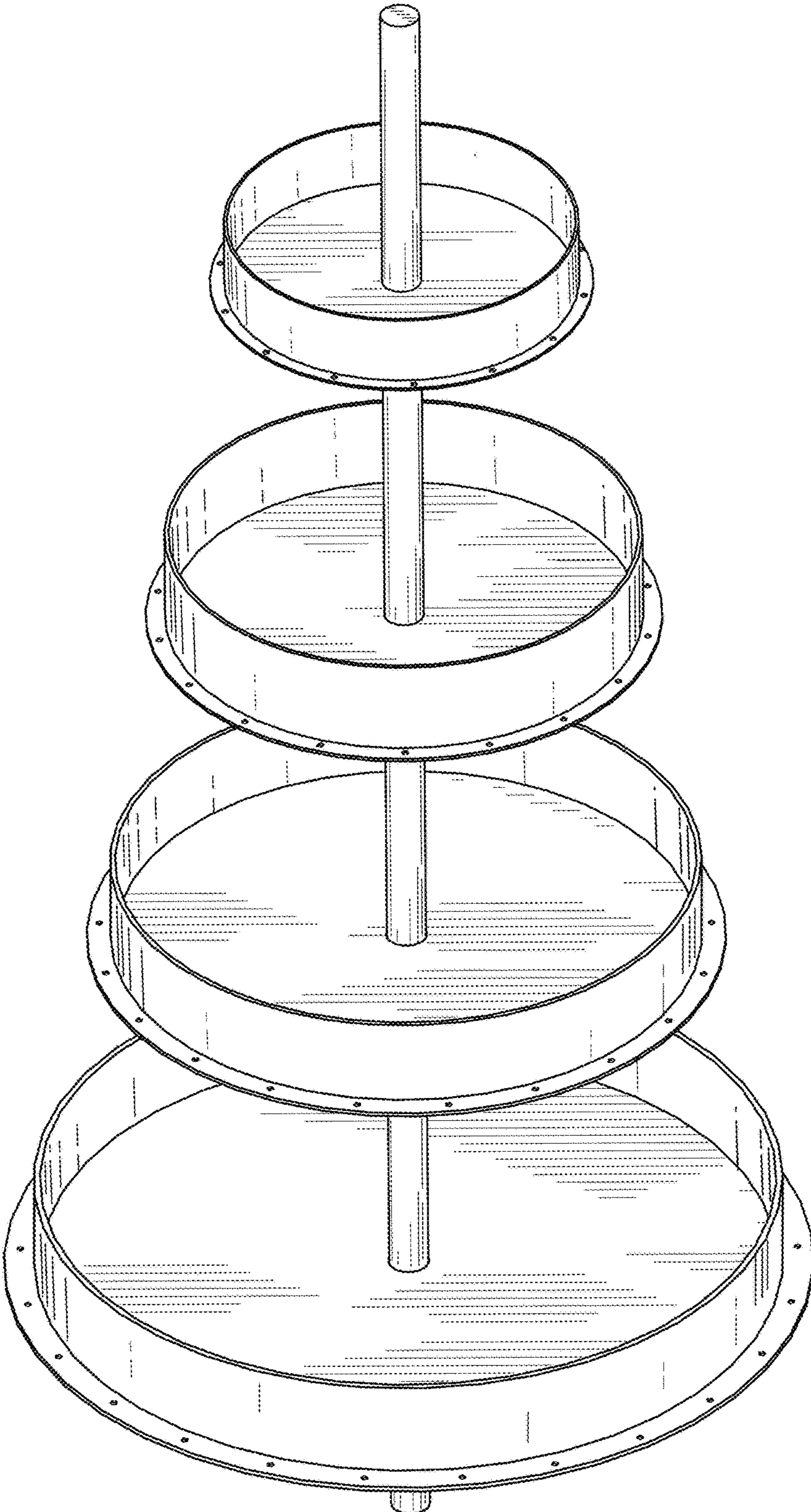


FIG. 1

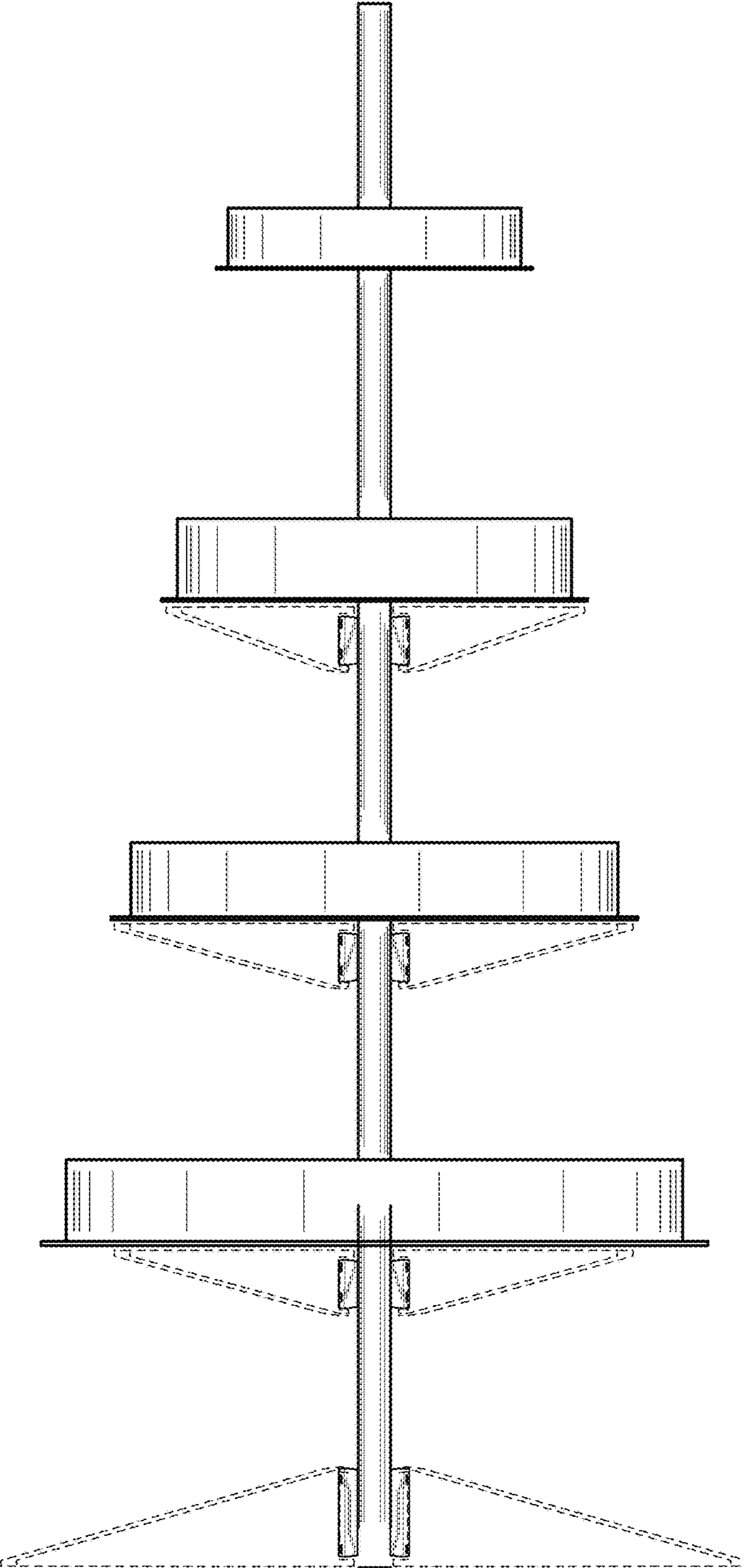


FIG. 2

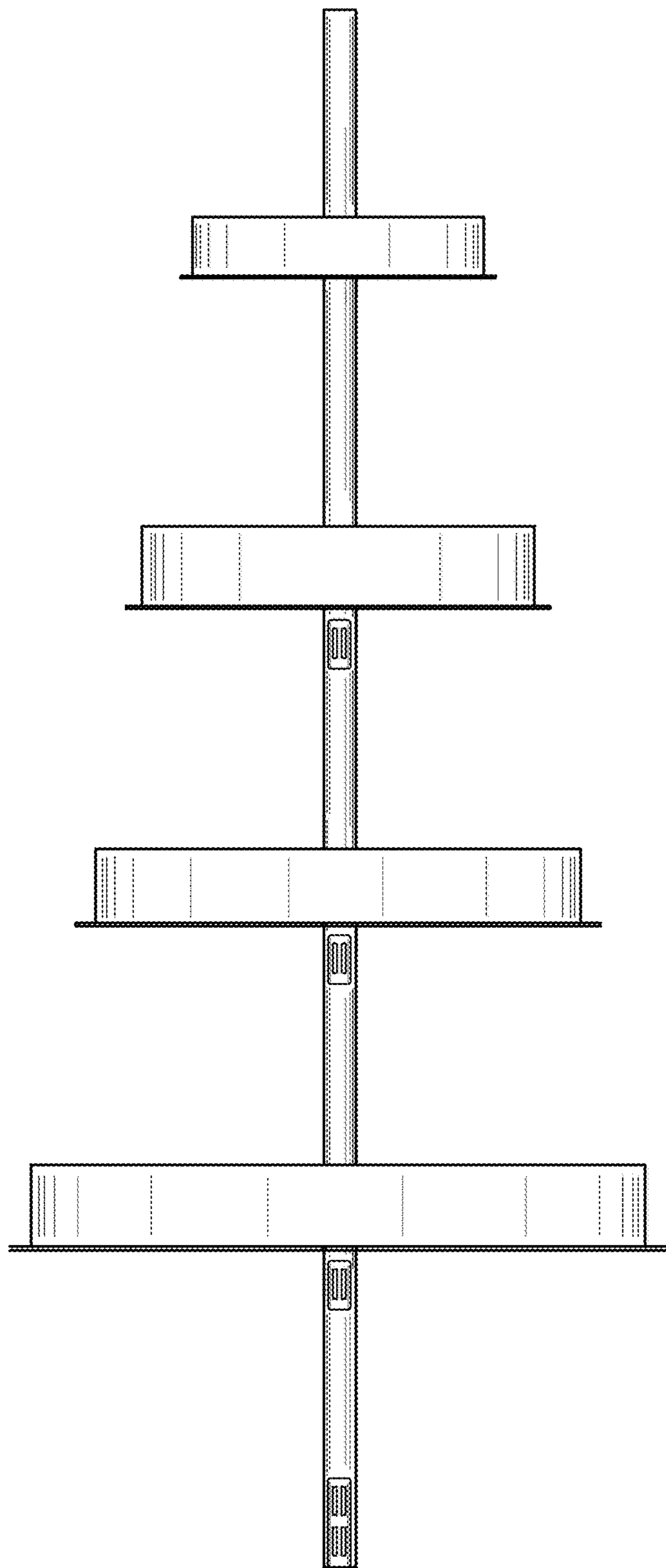


FIG. 3

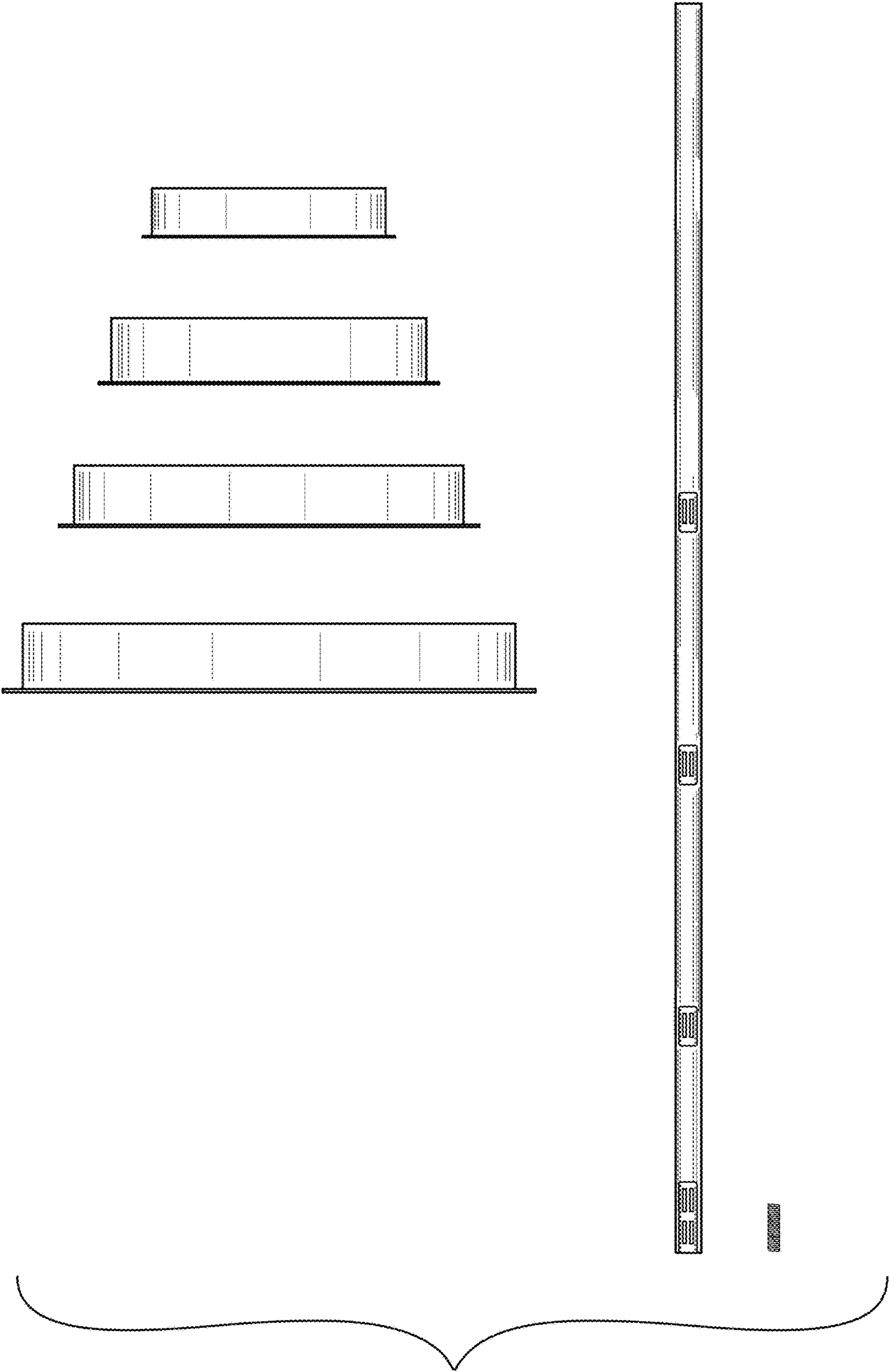


FIG. 4

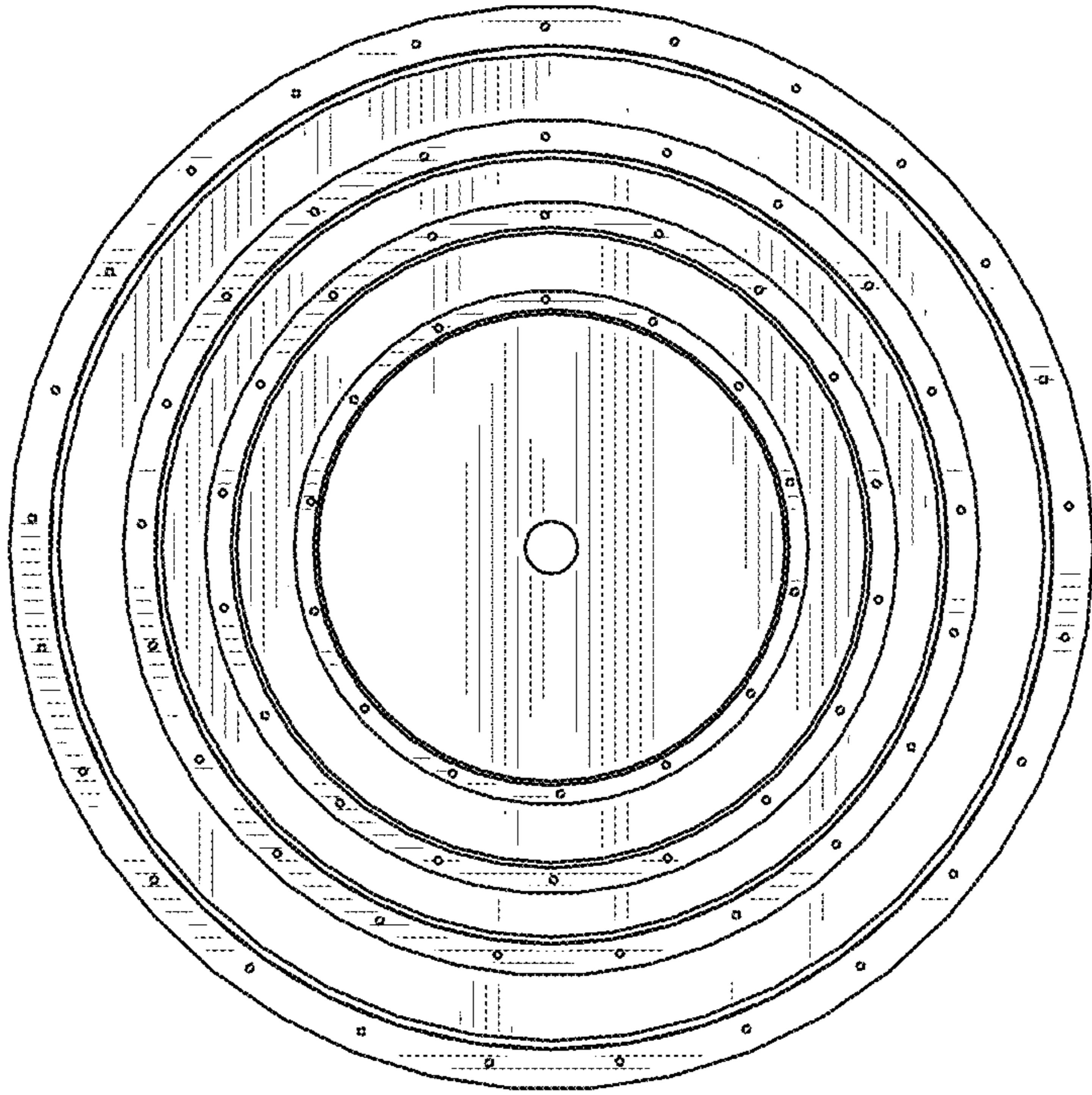


FIG. 5

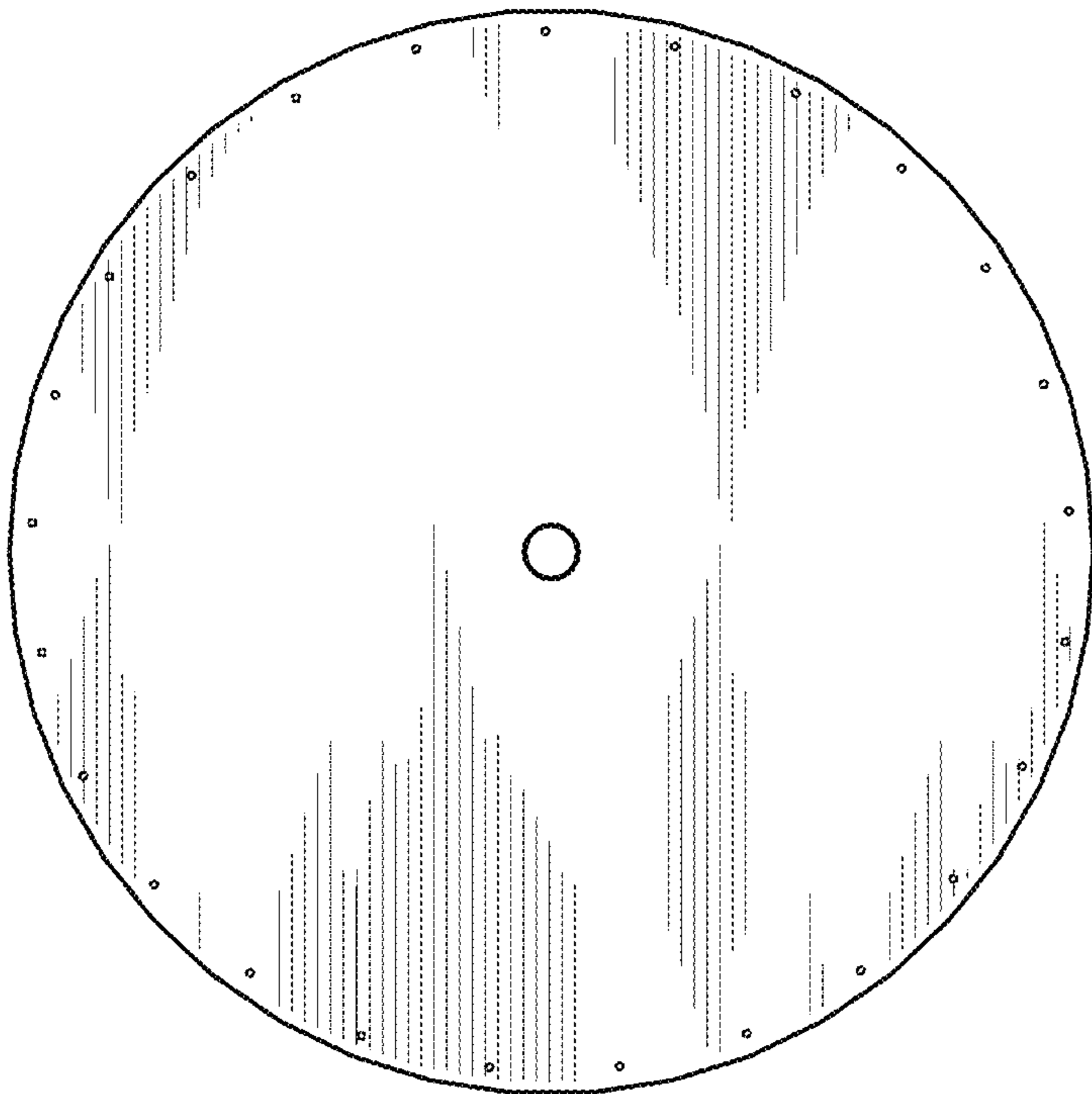


FIG. 6

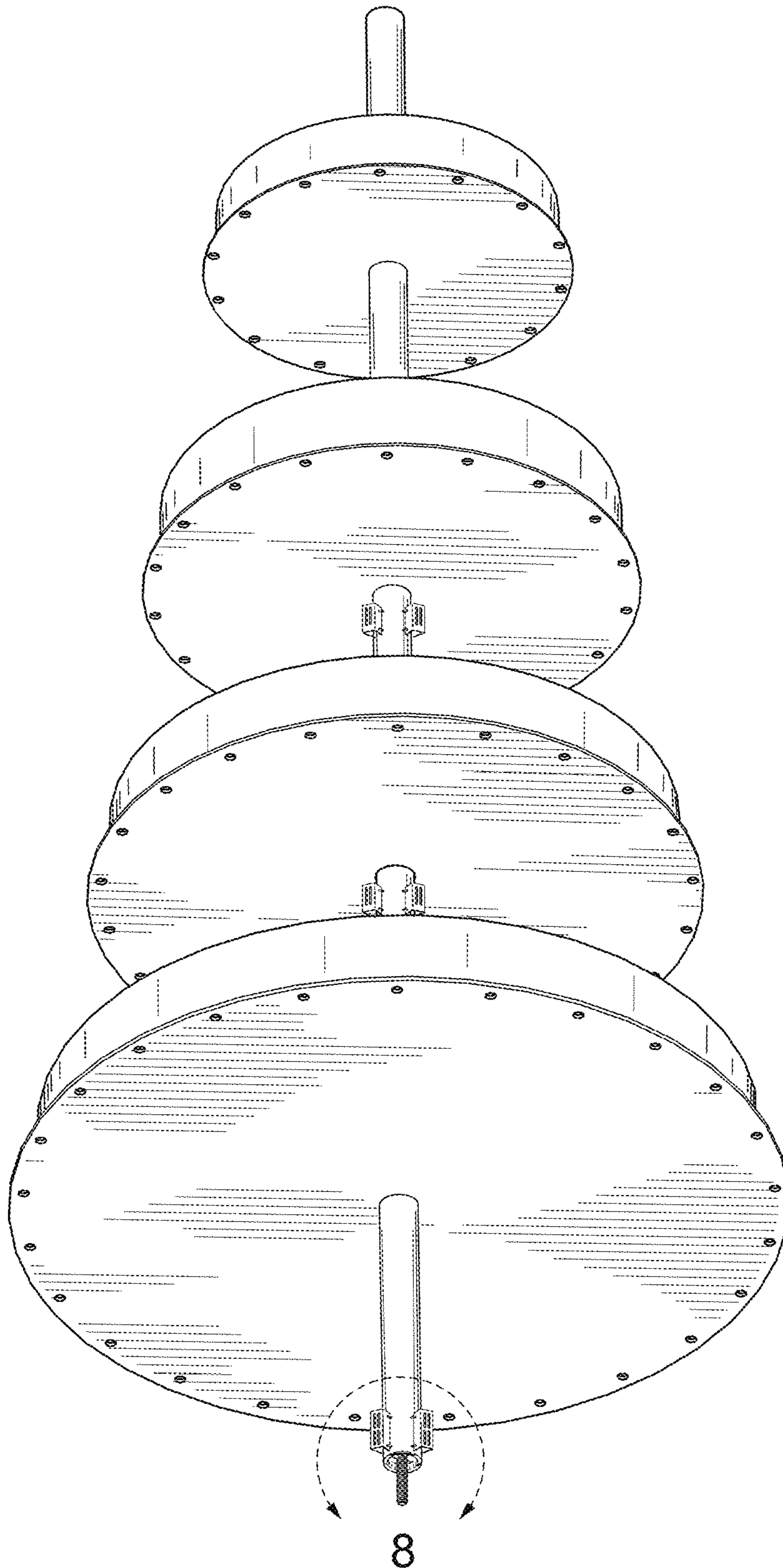


FIG. 7

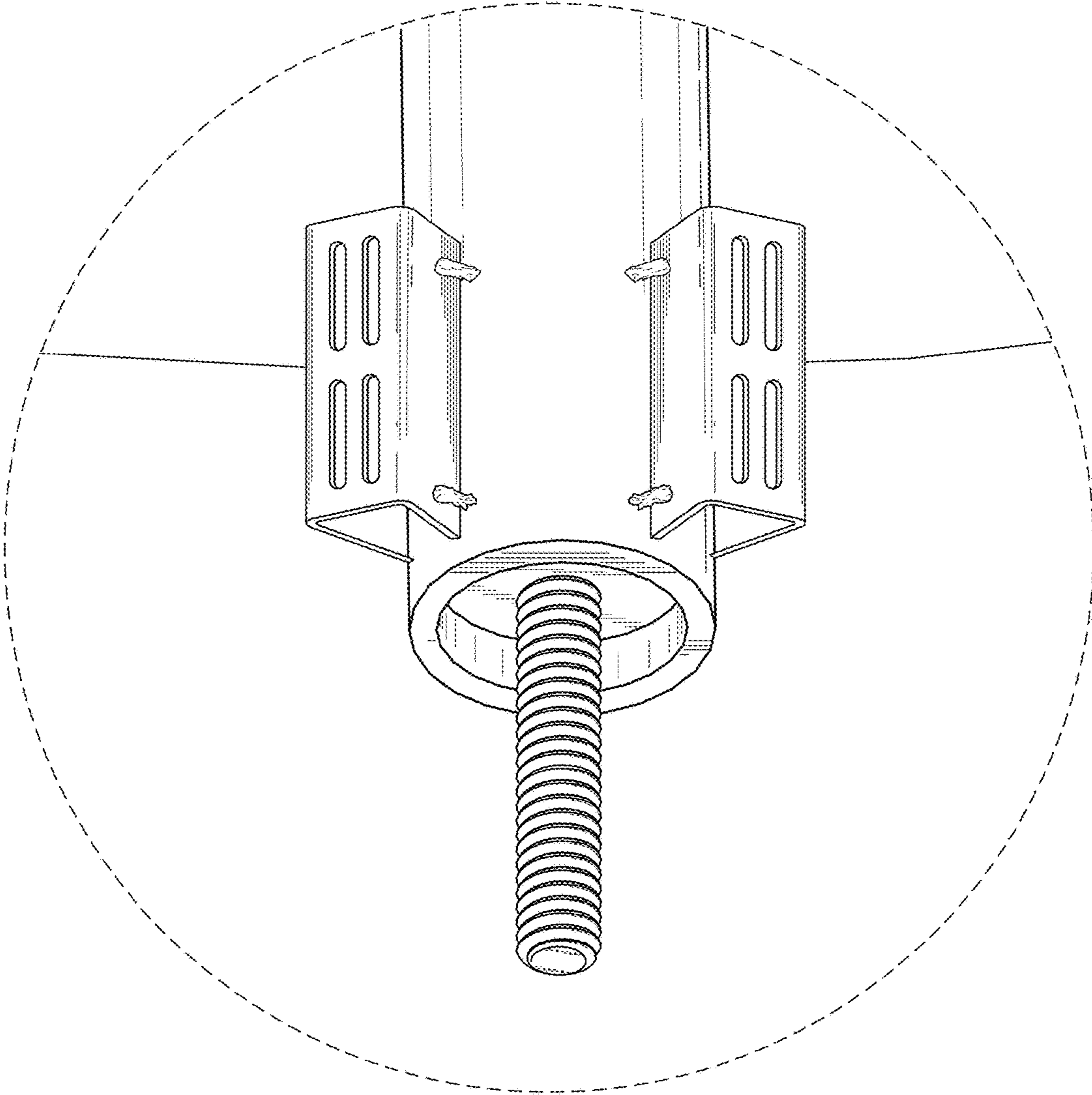


FIG. 8