



US00D793129S

(12) **United States Design Patent** (10) **Patent No.:** **US D793,129 S**
Bertault et al. (45) **Date of Patent:** **** Aug. 1, 2017**

(54) **DISPLAY TOWER** 4,688,684 A * 8/1987 Young A47F 7/281
108/106
(71) Applicant: **Spanx, Inc.**, Atlanta, GA (US) 4,700,850 A * 10/1987 Morgan B44D 3/00
211/131.1
(72) Inventors: **Vincent Bertault**, Orient, NY (US); D329,548 S * 9/1992 Wells D6/407
Robert Kemp, Atlanta, GA (US) D329,552 S * 9/1992 Wells D6/678.1
5,524,775 A * 6/1996 Kaine A47B 49/004
108/103
(73) Assignee: **Spanx, Inc.**, Atlanta, GA (US) 5,669,498 A 9/1997 Fierek et al.
D389,339 S * 1/1998 Garafano, Jr. D6/677.1
(**) Term: **15 Years** (Continued)

(21) Appl. No.: **29/539,659**
(22) Filed: **Sep. 16, 2015**

Related U.S. Application Data

(63) Continuation of application No. 29/465,880, filed on
Sep. 3, 2013, now Pat. No. Des. 741,631.
(51) **LOC (10) Cl.** **06-06**
(52) **U.S. Cl.**
USPC **D6/677.1**
(58) **Field of Classification Search**
USPC D6/672, 677, 677.1, 682, 682.1, 574;
D14/126-129
CPC A47F 5/0018; A47F 5/0037; A47F 5/02;
A47B 49/00; A47B 49/004
See application file for complete search history.

References Cited

U.S. PATENT DOCUMENTS

2,689,050 A * 9/1954 Albin A47F 5/06
108/101
2,740,684 A * 4/1956 Haralson A47B 49/004
312/223.5
2,750,051 A * 6/1956 Wassell A47B 49/00
108/103
2,951,593 A * 9/1960 Lake A47F 5/02
108/103
3,675,620 A 7/1972 Baustin
D249,608 S * 9/1978 Wright D6/678.1

OTHER PUBLICATIONS

C3 Brandworks, Inc., <http://c3brandworks.com/ongoing/silver-joes-coffee-co/> (downloaded Oct. 10, 2013), in a Final Action dated Oct. 10, 2013, in U.S. Trademark Application No. 85/803,221.
(Continued)

Primary Examiner — Kelley Donnelly
(74) *Attorney, Agent, or Firm* — Meunier Carlin &
Curfman LLC

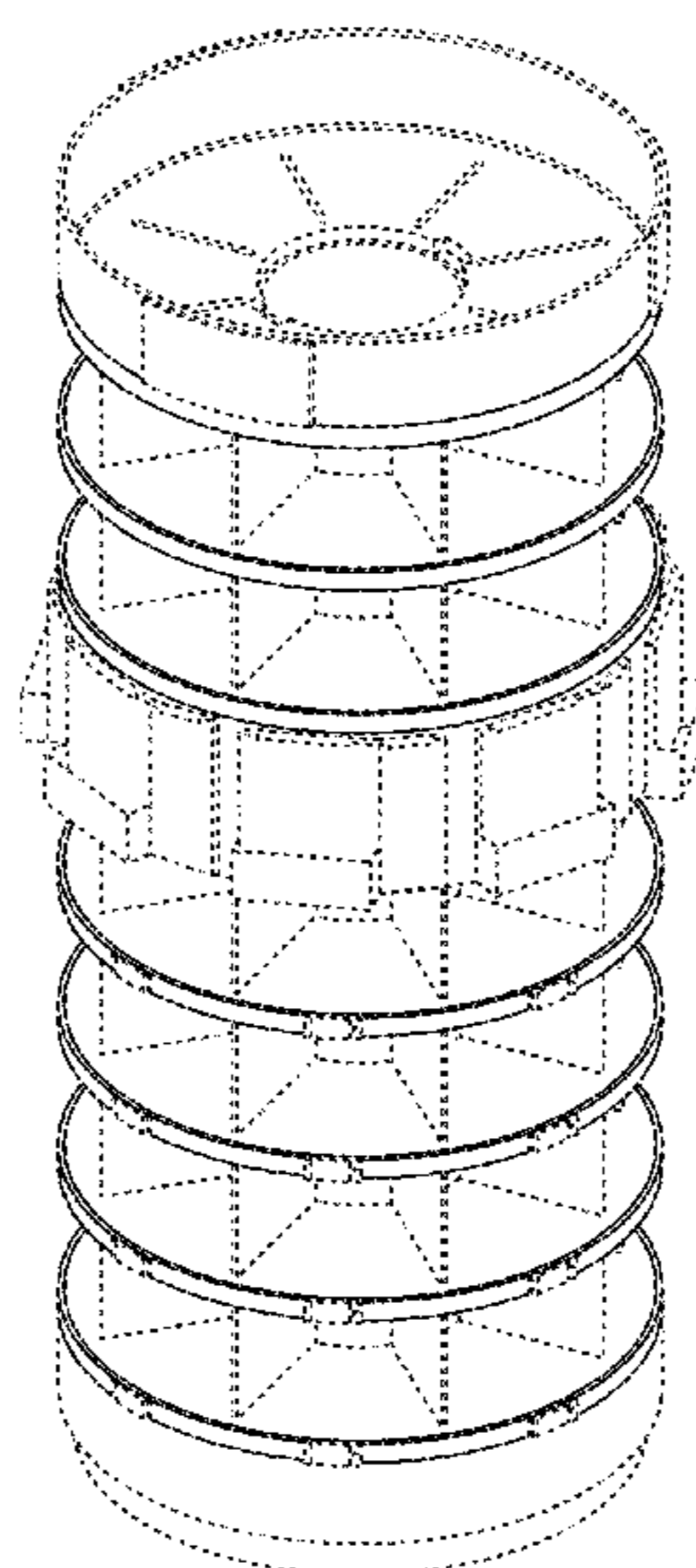
(57) **CLAIM**

The ornamental design for a display tower, as shown and described.

DESCRIPTION

FIG. 1 is a front perspective view of one embodiment of a display tower.
FIG. 2 is a front view of the embodiment depicted in FIG. 1. The left-side view, the right-side view, and the back view are identical to the front view in FIG. 2.
FIG. 3 is a top view of the embodiment depicted in FIG. 1; and,
FIG. 4 is a bottom view of the embodiment depicted in FIG. 1.
The broken lines showing elements of the display tower in the above-described Figures are for illustrative purposes and form no part of the claimed design.

1 Claim, 3 Drawing Sheets



(56)

References Cited

U.S. PATENT DOCUMENTS

6,206,493	B1 *	3/2001	Sanchez-Levin	A47F 5/02 211/131.1
D682,583	S *	5/2013	Hawkins	D6/683.1
D699,988	S *	2/2014	Hawkins	D6/678.1
D724,874	S *	3/2015	Goldman	D6/661.3
D726,459	S	4/2015	Hawkins		
9,004,299	B2 *	4/2015	Hardin	A47B 49/004 211/131.1
D747,902	S *	1/2016	Matloff	D6/678.1
9,320,366	B1 *	4/2016	Bertault	A47F 1/12
2003/0196970	A1	10/2003	Jiang		
2004/0055982	A1	3/2004	Jennings		
2014/0158654	A1	6/2014	Hawkins et al.		
2014/0158655	A1	6/2014	Hawkins		

OTHER PUBLICATIONS

Chicago Display Marketing Corporation, <http://www.chicagodisplay.com/photo-gallery.html> (downloaded Oct. 10, 2013), in a Final Action dated Oct. 10, 2013, in U.S. Trademark Application No. 85/803,221.
 DDI Project Gallery, <http://www.ddionline.com/displayand-designideas/galleries/apparel-specialty/Spanx-Shop-New-York-5662.htm> (downloaded Mar. 18, 2013).

Ebay, <http://ebay.com/bhp/retail-display-tables> (downloaded Oct. 10, 2013), in a Final Action dated Oct. 10, 2013, in U.S. Trademark Application No. 85/803,221.
 Displays2Go, <http://www.displays2go.com/C-27301/Retail-Show-Cases-Have-a-Frameless-Construction> (downloaded Oct. 10, 2013), in a Final Action dated Oct. 10, 2013, in U.S. Trademark Application No. 85/803,221.
 Prosecution History of U.S. Trademark Application No. 85/803,221, filed Dec. 14, 2012.
 Prosecution History of U.S. Trademark Application No. 85/803,223, filed Dec. 14, 2012.
 File History of U.S. Appl. No. 14/136,765, filed Dec. 20, 2013 and prosecution history thereof.
 Shenzhen Leader Display Pdts Ltd., http://www.cardboard-display-stands.com/china-round_display_stands_pallet_display_box_for_supermarket_retail-1237727.html (downloaded Oct. 10, 2013), in a Final Action dated Oct. 10, 2013, in U.S. Trademark Application No. 85/803,221.
 Vigilant Woodworks, <http://vigilantinc.com/commercial/island-display-packages.php> (downloaded Oct. 10, 2013), in a Final Action dated Oct. 10, 2013, in U.S. Trademark Application No. 85/803,221.
 Wanzl, http://www.wanzl.com/en_DE/products/shelving-systems-and-installation-solutions/wire-tech.html (downloaded Oct. 10, 2013), in a Final Action dated Oct. 10, 2013, in U.S. Trademark Application No. 85/803,221.

* cited by examiner

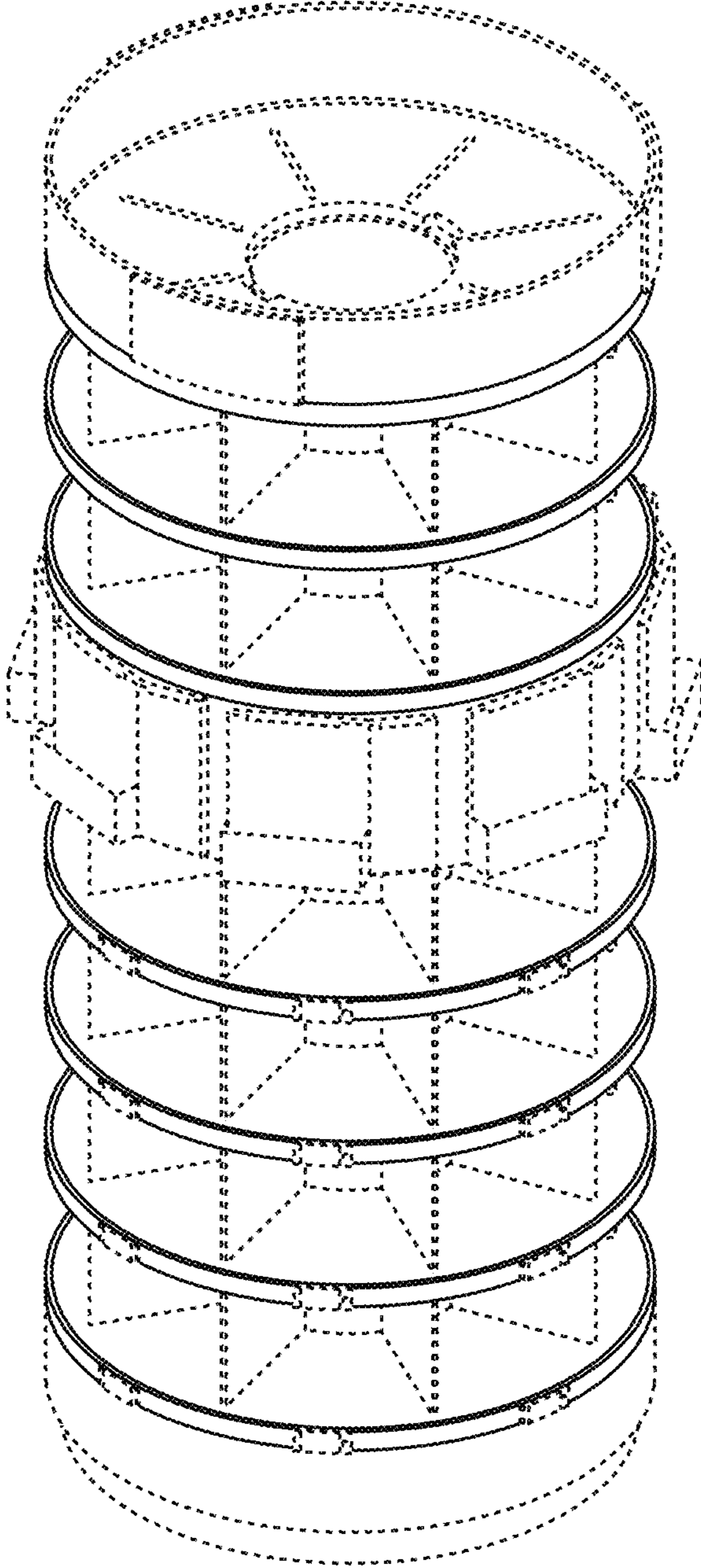


FIG. 1

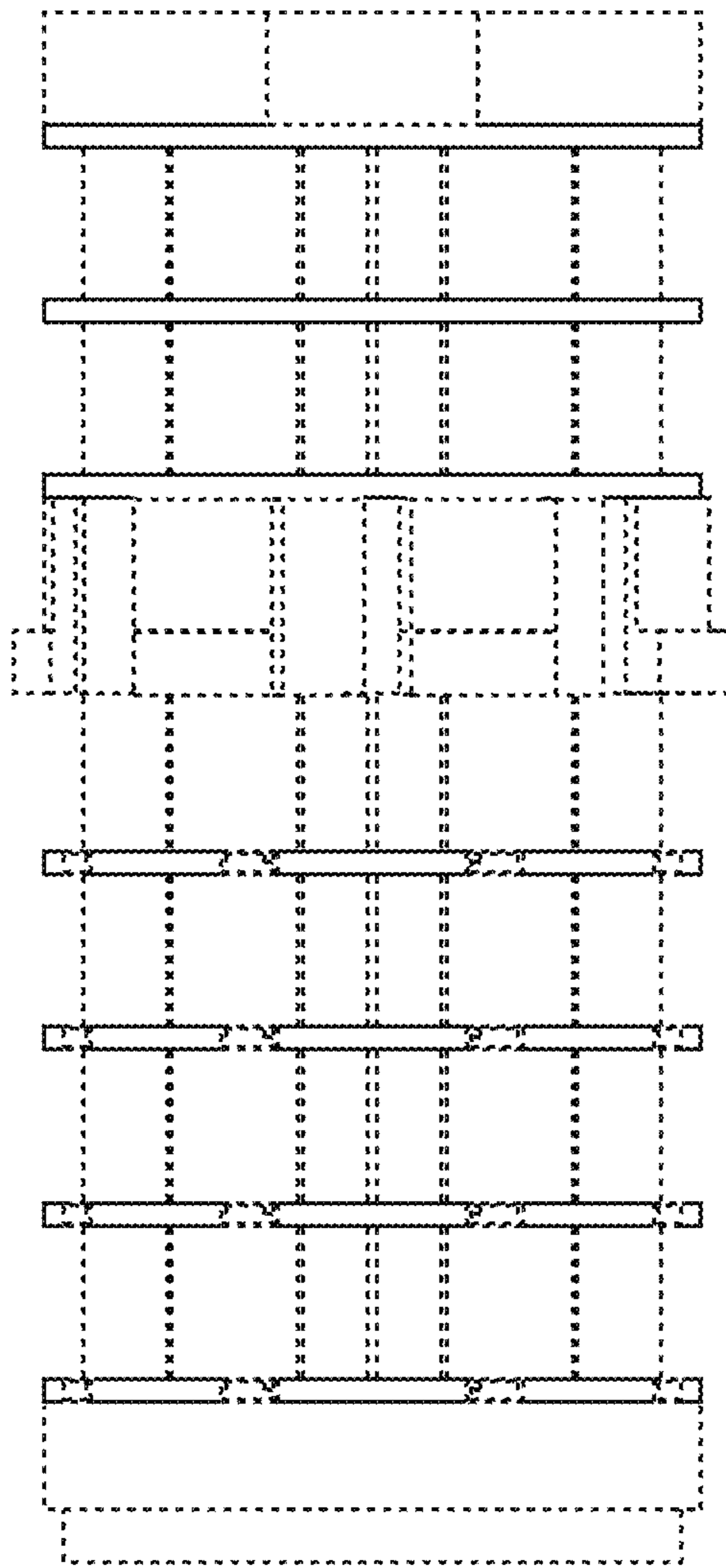


FIG. 2

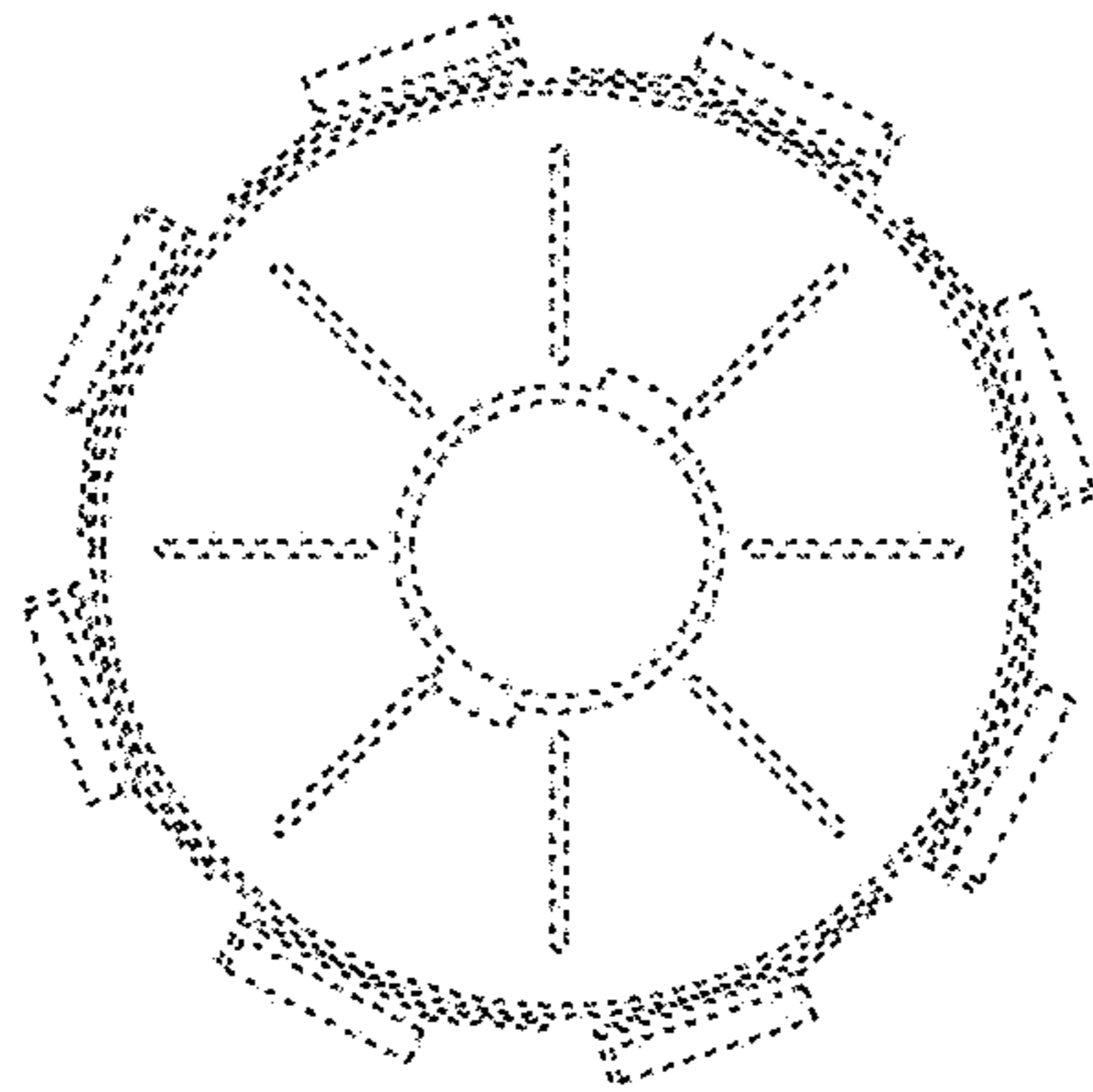


FIG. 3

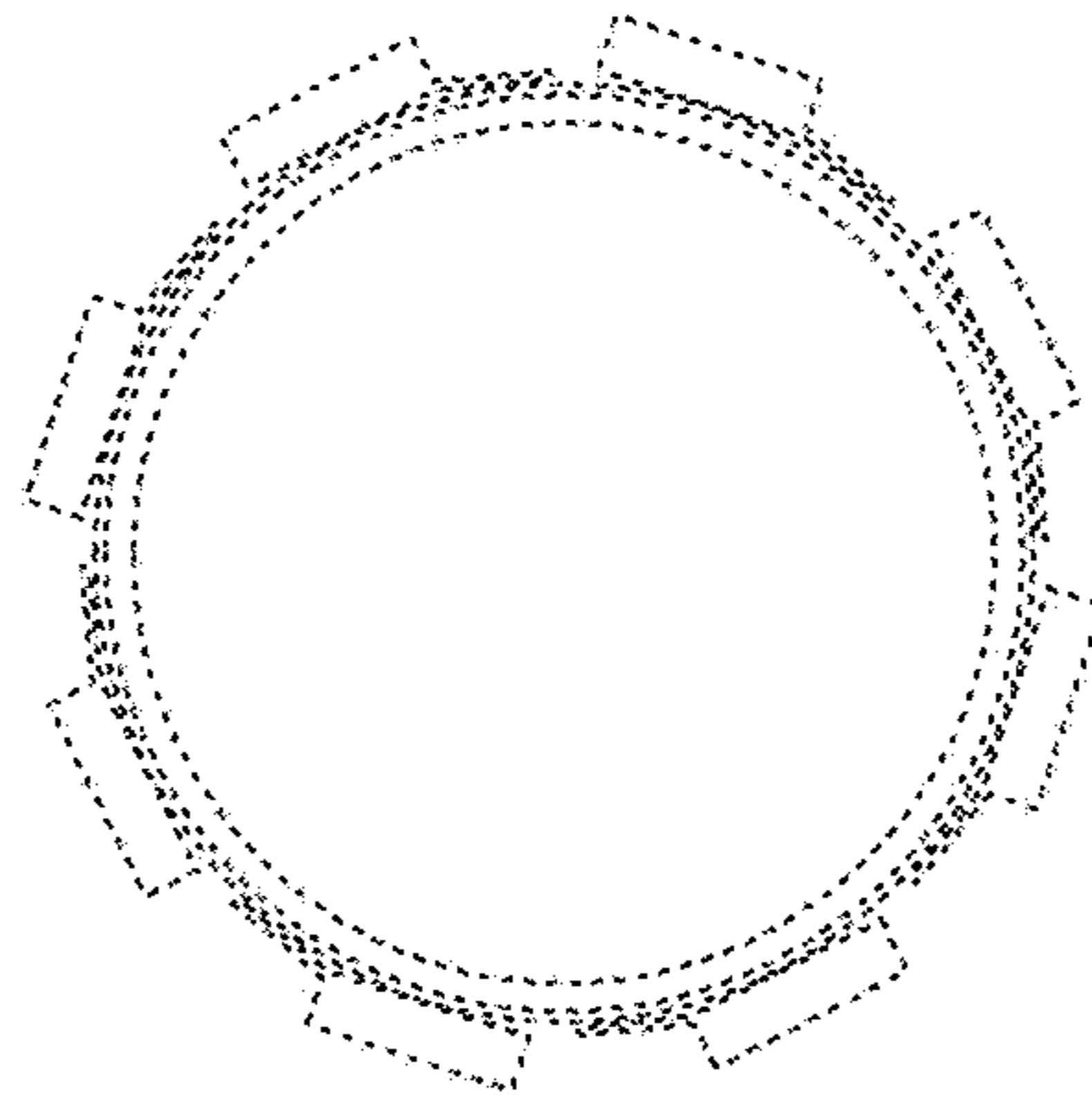


FIG. 4