



US00D793128S

(12) **United States Design Patent**
Peota et al.

(10) **Patent No.:** **US D793,128 S**
(45) **Date of Patent:** **** Aug. 1, 2017**

(54) **DISPLAY UNIT**

(71) Applicant: **Target Brands, Inc.**, Minneapolis, MN (US)

(72) Inventors: **Robert D. Peota**, Minneapolis, MN (US); **Joseph R. Stukenberg**, Minneapolis, MN (US); **Thomas M. Balko**, St. Paul, MN (US); **Ryan C. Enzler**, Bloomington, MN (US)

(73) Assignee: **Target Brands, Inc.**, Minneapolis, MN (US)

(**) Term: **15 Years**

(21) Appl. No.: **29/559,623**

(22) Filed: **Mar. 30, 2016**

(51) **LOC (10) Cl.** **20-02**

(52) **U.S. Cl.**
USPC **D6/675**

(58) **Field of Classification Search**
USPC D6/675-675.3, 678.2, 680.2; D9/415, D9/418, 432, 433; D34/21
CPC ... A47F 3/004; A47F 3/02; A47F 3/00; B65D 5/725

See application file for complete search history.

(56) **References Cited**

U.S. PATENT DOCUMENTS

| | | | | | |
|------------|---|---------|--------------|-------|----------|
| D232,812 S | * | 9/1974 | Ogle | | D11/155 |
| D297,988 S | * | 10/1988 | Maurer | | D6/675.1 |
| D377,128 S | * | 1/1997 | Baker | | D6/675.1 |
| D388,634 S | * | 1/1998 | Mulligan | | D6/657 |
| D504,771 S | * | 5/2005 | Boyd | | D3/273 |
| D527,901 S | * | 9/2006 | Selsted | | D3/302 |
| D529,795 S | * | 10/2006 | Kragtwijk | | D9/418 |
| D660,196 S | | 5/2012 | Huang et al. | | |

| | | | | | |
|-----------------|---|---------|-----------|-------|-------------------------|
| D716,079 S | * | 10/2014 | Su | | D6/675.1 |
| D734,667 S | * | 7/2015 | Schotsman | | D11/155 |
| D740,027 S | * | 10/2015 | Yamamoto | | D3/297 |
| D748,974 S | * | 2/2016 | Wang | | D9/418 |
| D780,488 S | * | 3/2017 | Celano | | D6/672 |
| D784,807 S | * | 4/2017 | Glass | | D9/432 |
| 2015/0298856 A1 | * | 10/2015 | Shiotani | | B65D 21/0235 206/509 |

OTHER PUBLICATIONS

Yelp, "Safeway Bins", <http://www.yelp.ca/biz/safeway-medicine-hat>, at least as early as Nov. 10, 2015, 1 page.
3 Photos of Produce Bins in Whole Foods, at least as early as Aug. 26, 2015, 3 pages.
Design U.S. Appl. No. 29/559,625, filed Mar. 30, 2016, 12 pages.

* cited by examiner

Primary Examiner — Mark Goodwin
Assistant Examiner — Melvin Davis

(74) *Attorney, Agent, or Firm* — Leanne Taveggia Farrell; Westman, Champlin & Koehler, P.A.

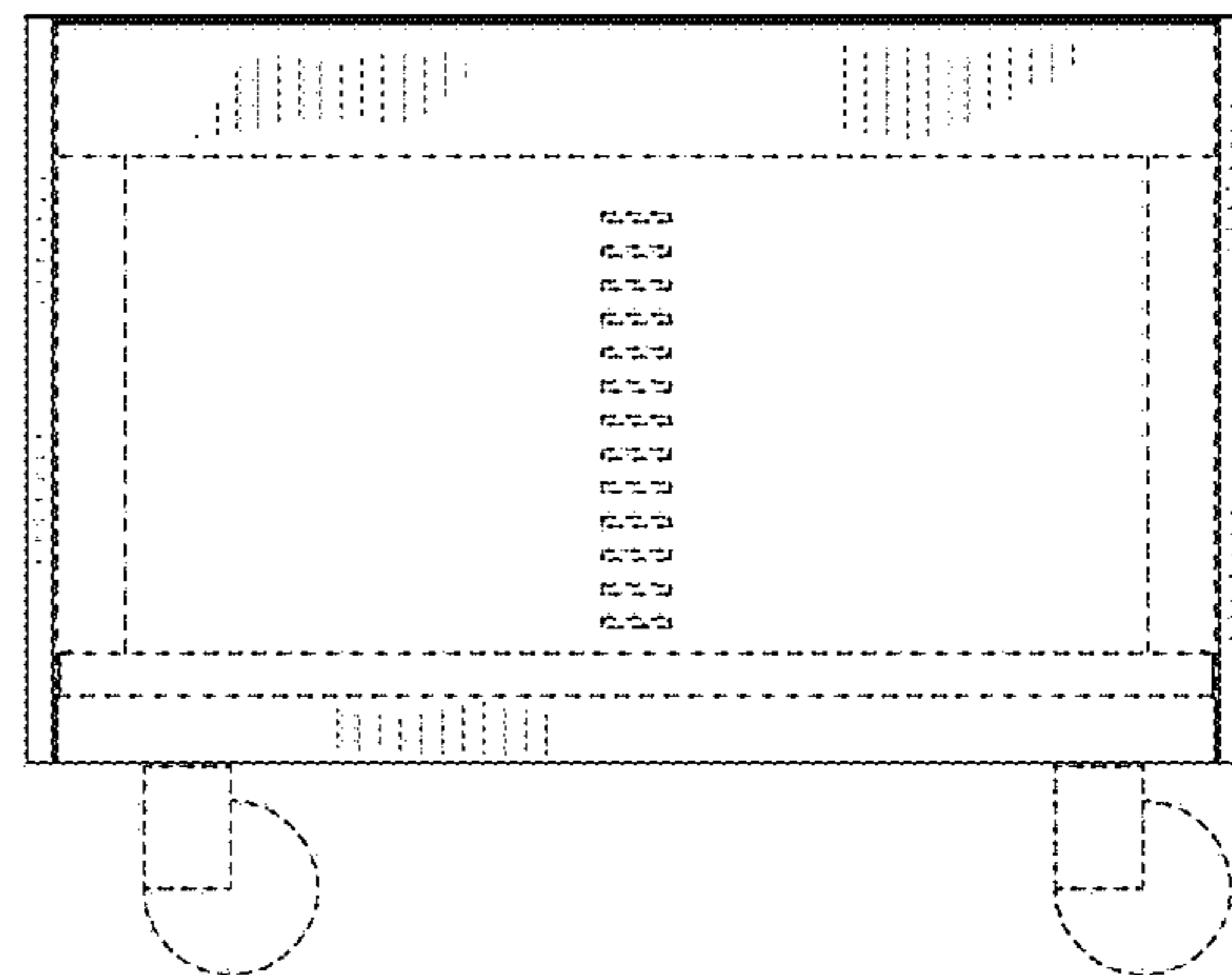
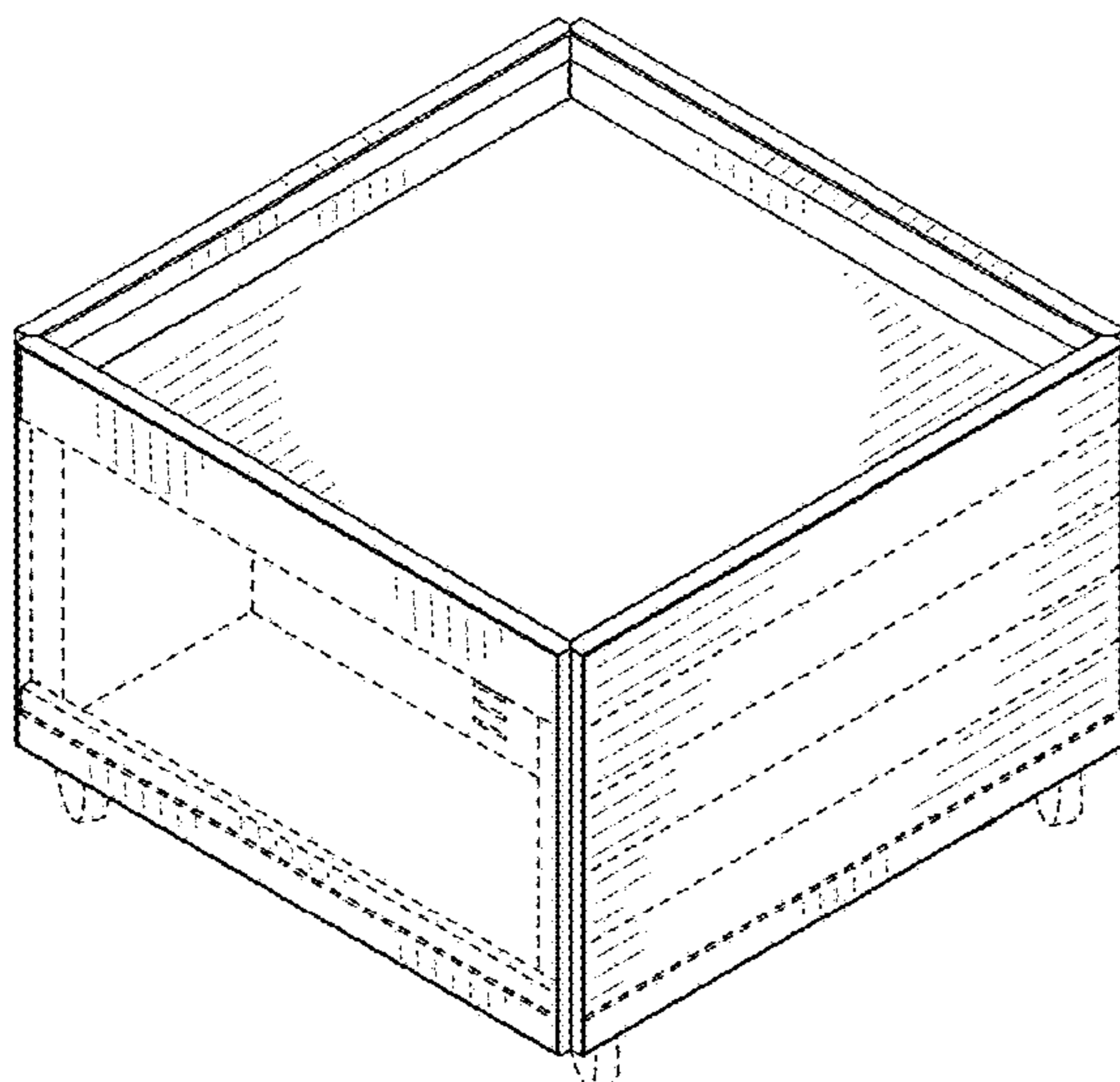
(57) **CLAIM**

The ornamental design for a display unit, as shown and described.

DESCRIPTION

FIG. 1 is a perspective view of a first embodiment of a display unit;
FIG. 2 is a front view thereof;
FIG. 3 is a back view thereof, the right side view and the left side view being mirrors thereof; and,
FIG. 4 is a top view thereof.
The broken lines shown in the drawings are included for purposes of illustrating portions of the display unit and form no part of the claimed design.

1 Claim, 2 Drawing Sheets



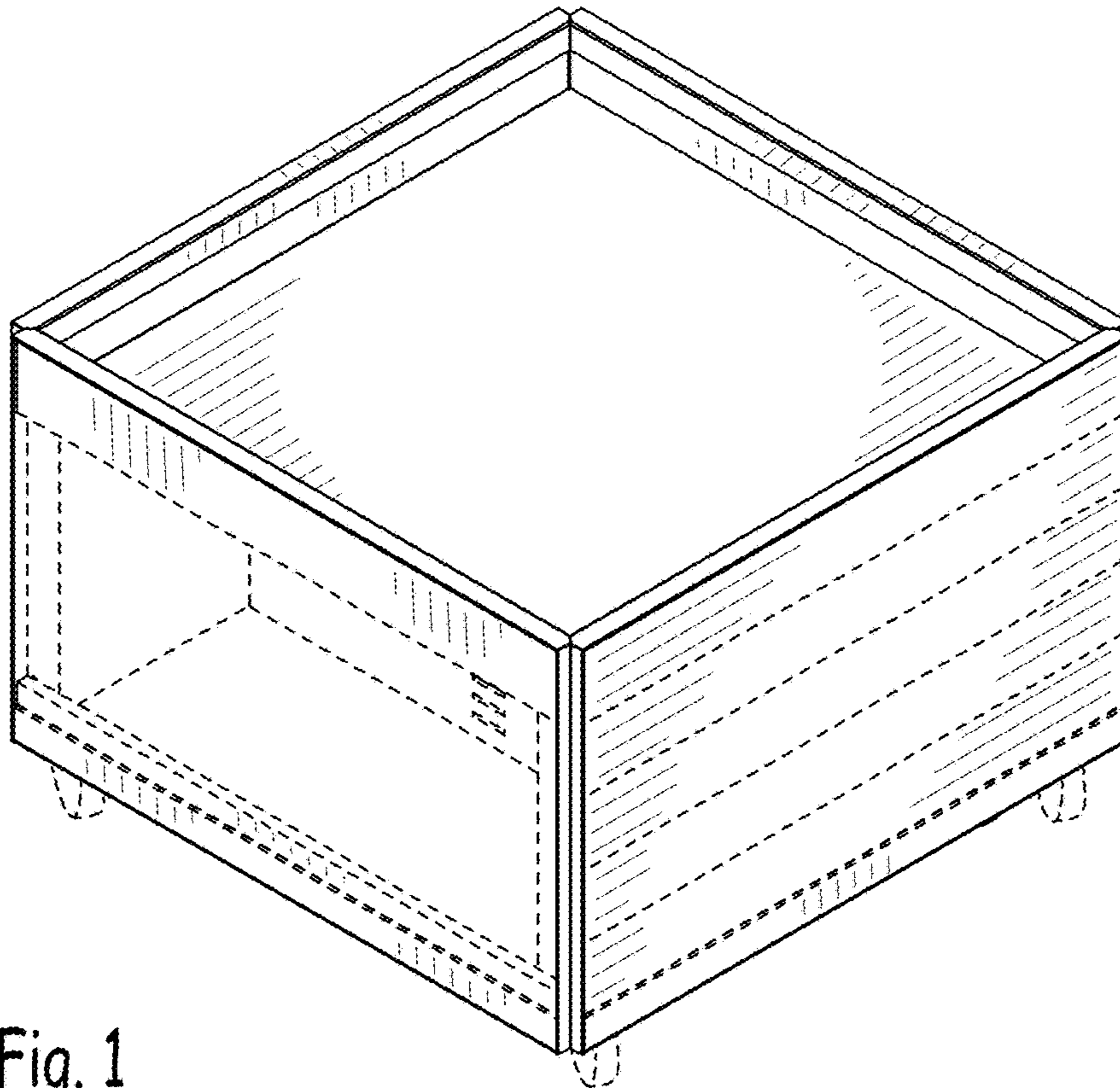


Fig. 1

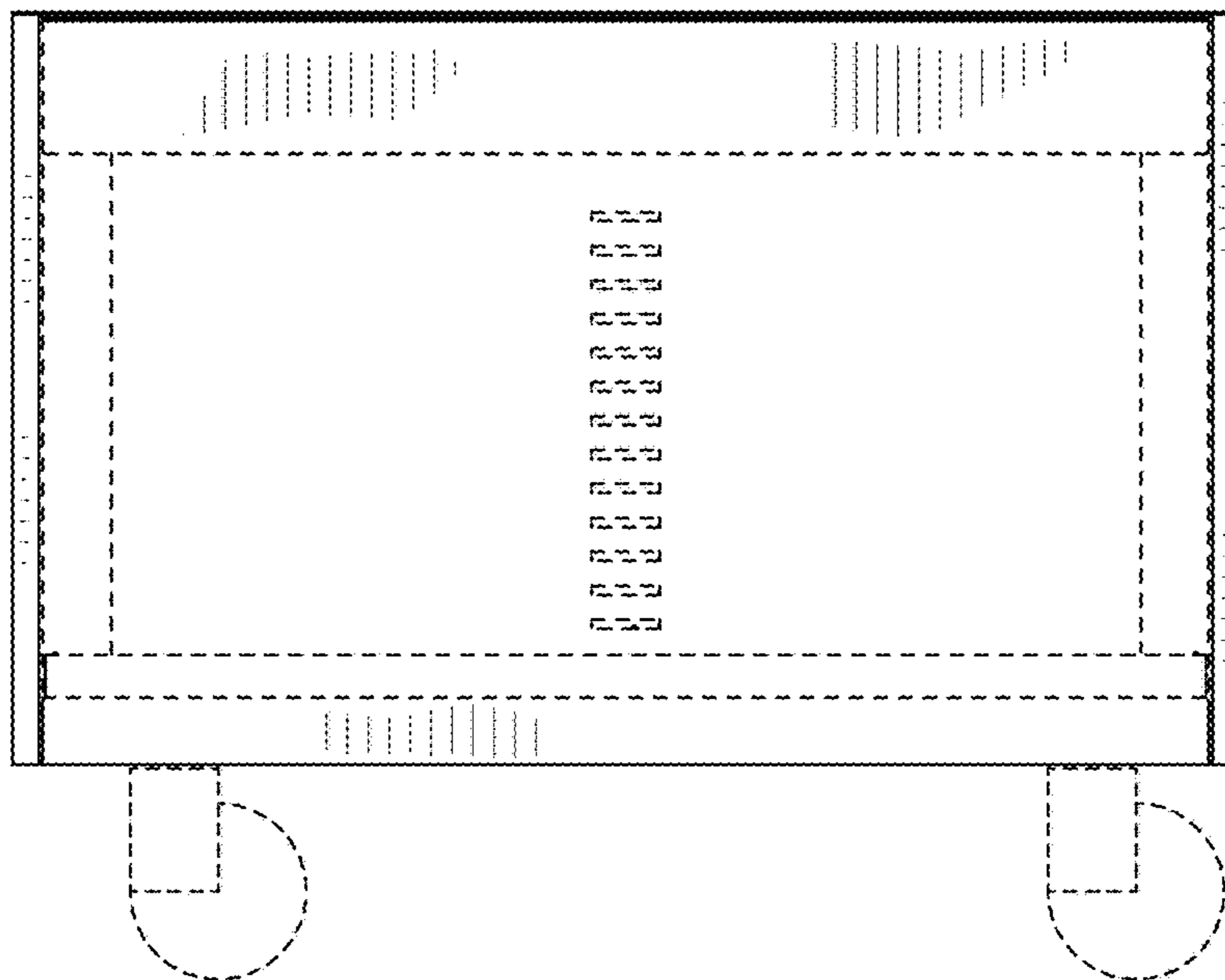


Fig. 2

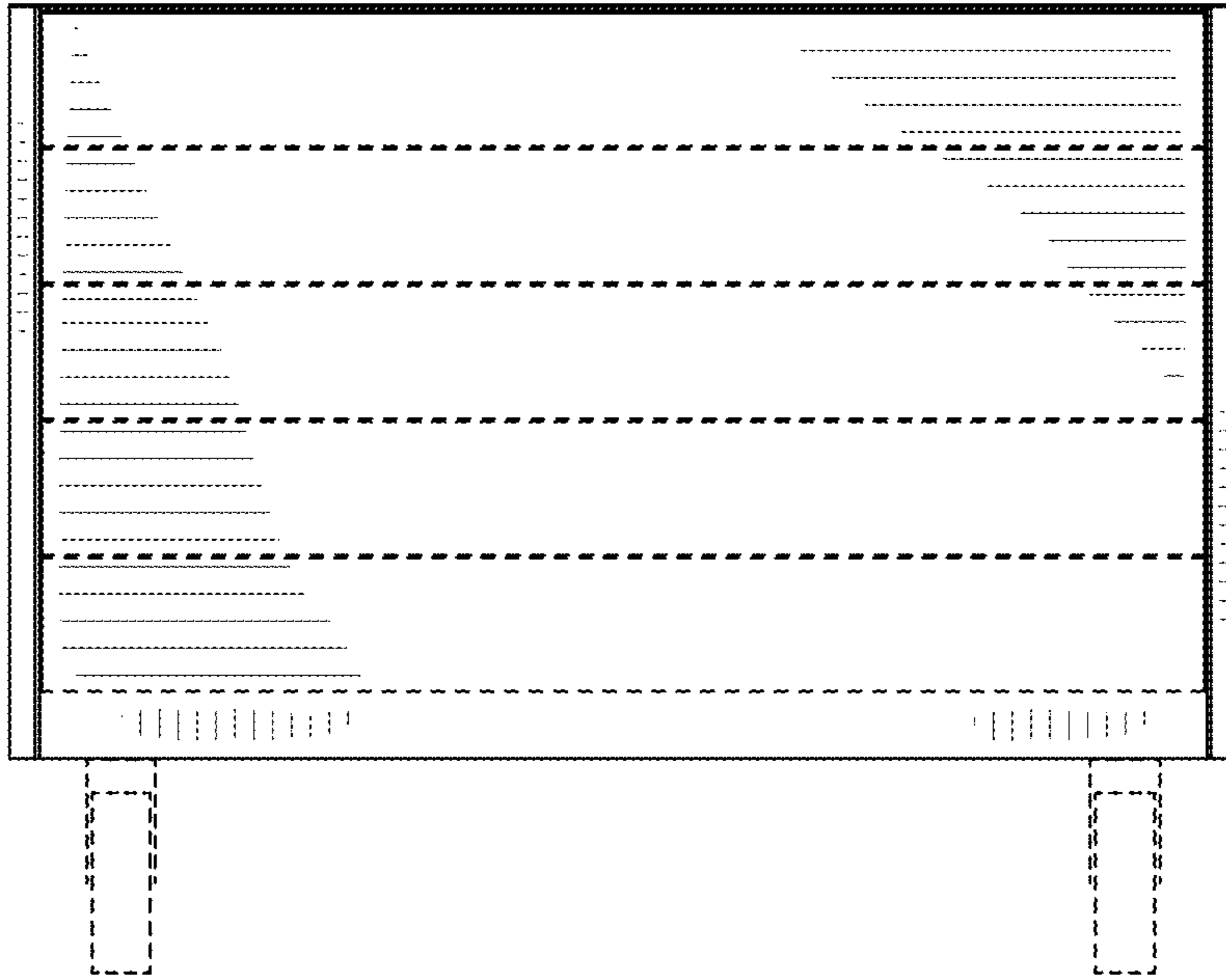


Fig. 3

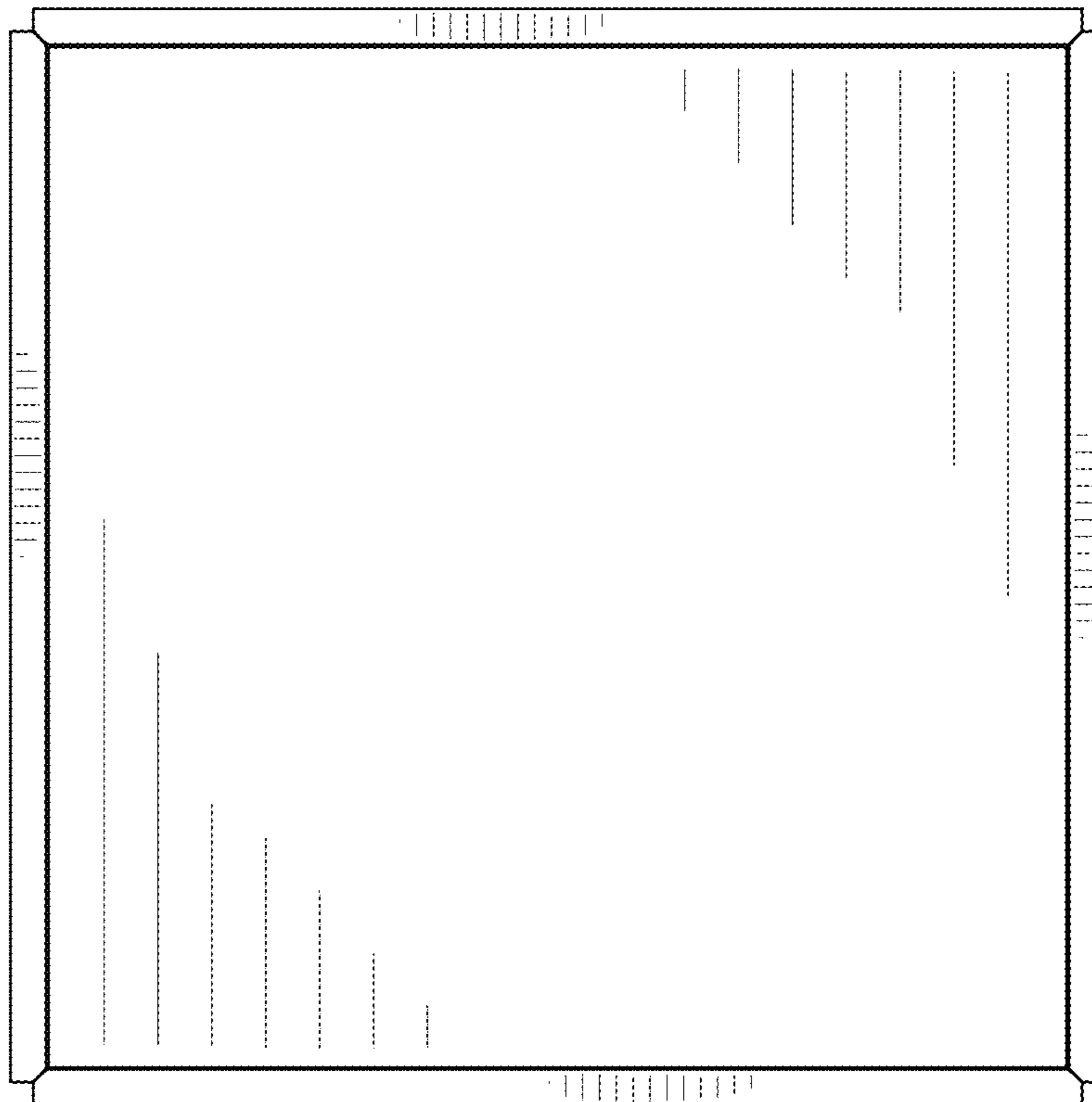


Fig. 4