



US00D793127S

(12) **United States Design Patent**
Zhuravlev

(10) **Patent No.:** **US D793,127 S**

(45) **Date of Patent:** **** Aug. 1, 2017**

(54) **COMPUTER DESK**

(71) Applicant: **Anatoliy Zhuravlev**, Woodland Hills,
CA (US)

(72) Inventor: **Anatoliy Zhuravlev**, Woodland Hills,
CA (US)

(73) Assignee: **Anatoliy Zhuravlev**, Woodland Hills,
CA (US)

(**) Term: **14 Years**

(21) Appl. No.: **29/492,164**

(22) Filed: **May 29, 2014**

(51) **LOC (10) Cl.** **06-04**

(52) **U.S. Cl.**

USPC **D6/655.1**

(58) **Field of Classification Search**

USPC D6/645, 651, 651.1, 652, 652.2

CPC A47B 17/00; A47B 17/003; A47B 17/006

See application file for complete search history.

(56) **References Cited**

U.S. PATENT DOCUMENTS

D82,558 S * 11/1930 Gunn D6/651
D267,612 S * 1/1983 Lenger, Jr. D6/645

D358,276 S * 5/1995 Tatum D6/651
D389,335 S * 1/1998 Tilley D6/651
D459,108 S * 6/2002 Roberts D6/651

* cited by examiner

Primary Examiner — Mary Ann Calabrese

(57) **CLAIM**

The ornamental design for a computer desk, as shown and described.

DESCRIPTION

FIG. 1 is a front, off-angle, perspective view of a computer desk incorporating the new design.

FIG. 2 is a top view of the computer desk incorporating the new design.

FIG. 3 is a front elevation view of the computer desk incorporating the new design; and,

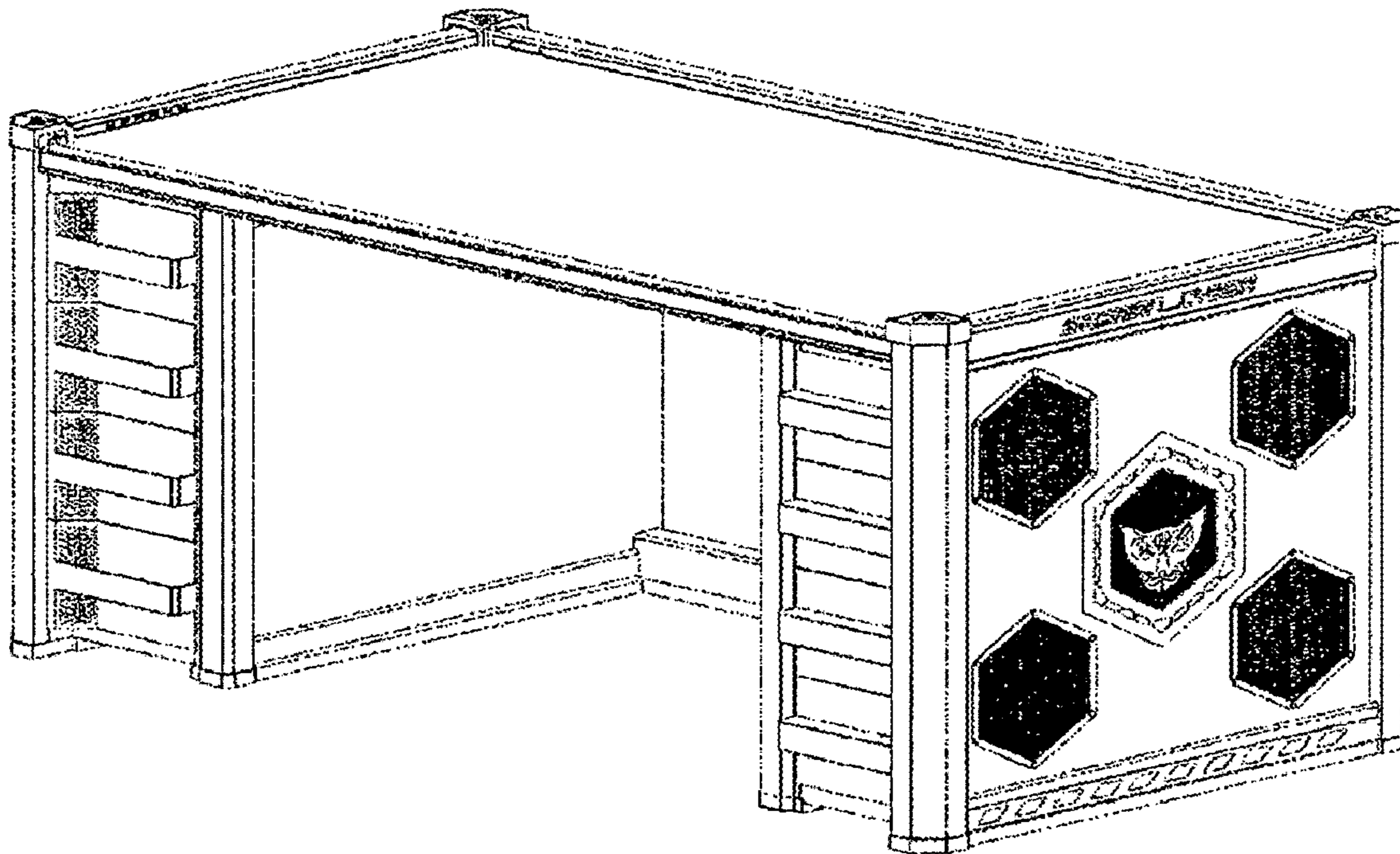
FIG. 4 is a side elevation view of the left side of the computer desk incorporating the new design, the right side is identical thereto.

The rear of the computer desk forms no part of the claimed design.

It is noted that broken or dashed lines within the Drawings, and the contents/details inside said broken or dashed lines, form no part of the claimed design.

In the drawings, the broken lines represent portions of the computer desk that form no part of the claimed design.

1 Claim, 4 Drawing Sheets



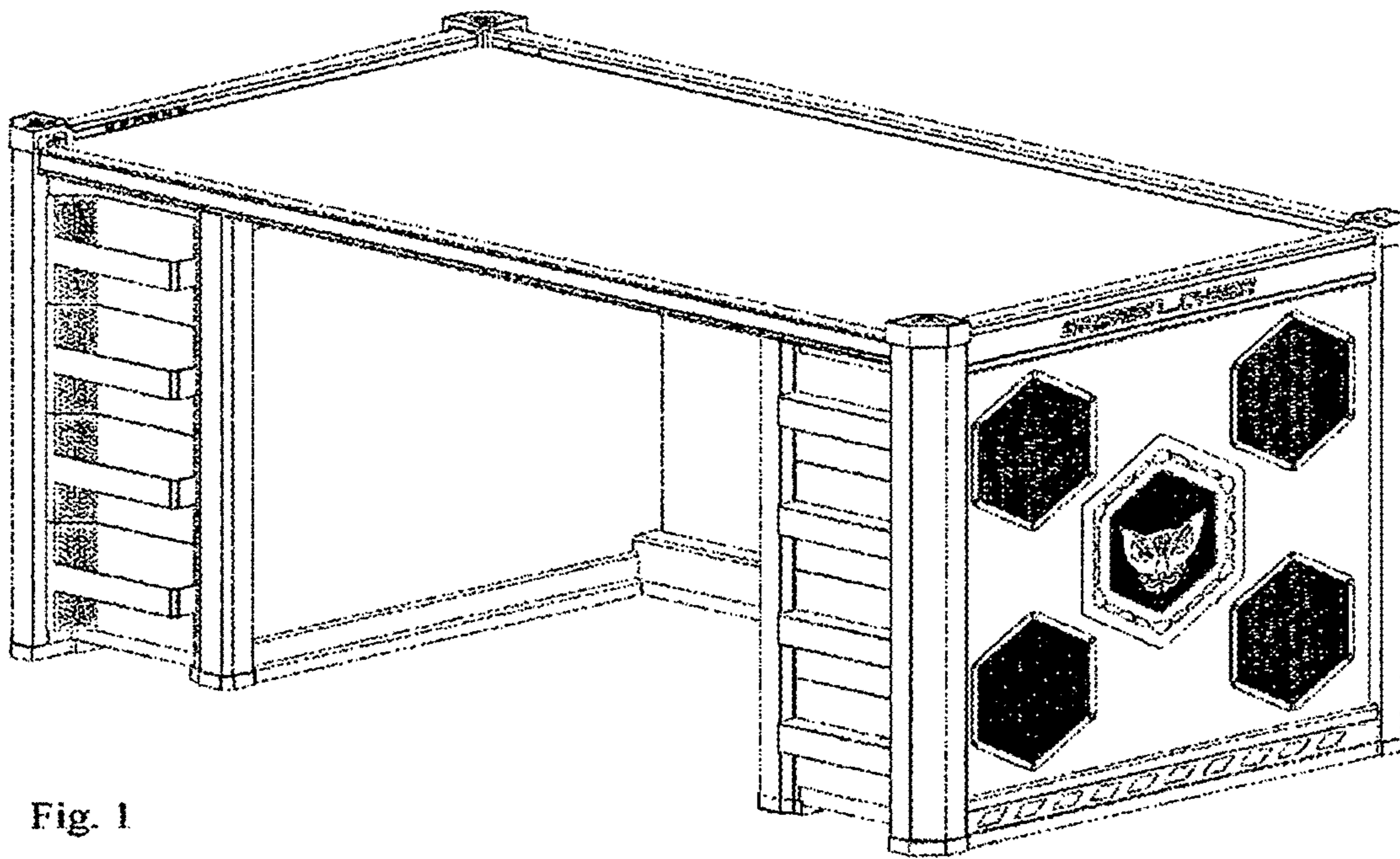


Fig. 1

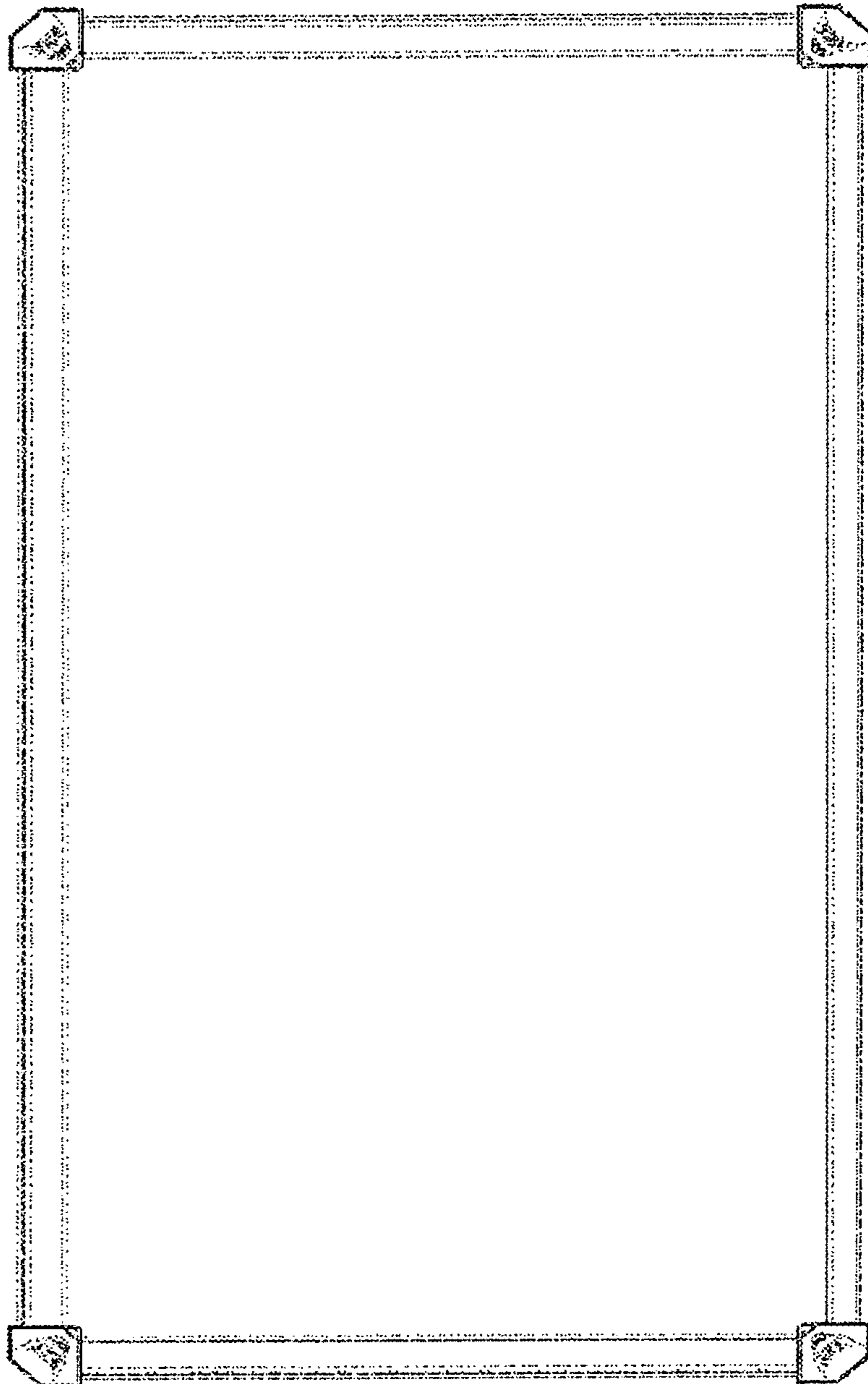


Fig. 2

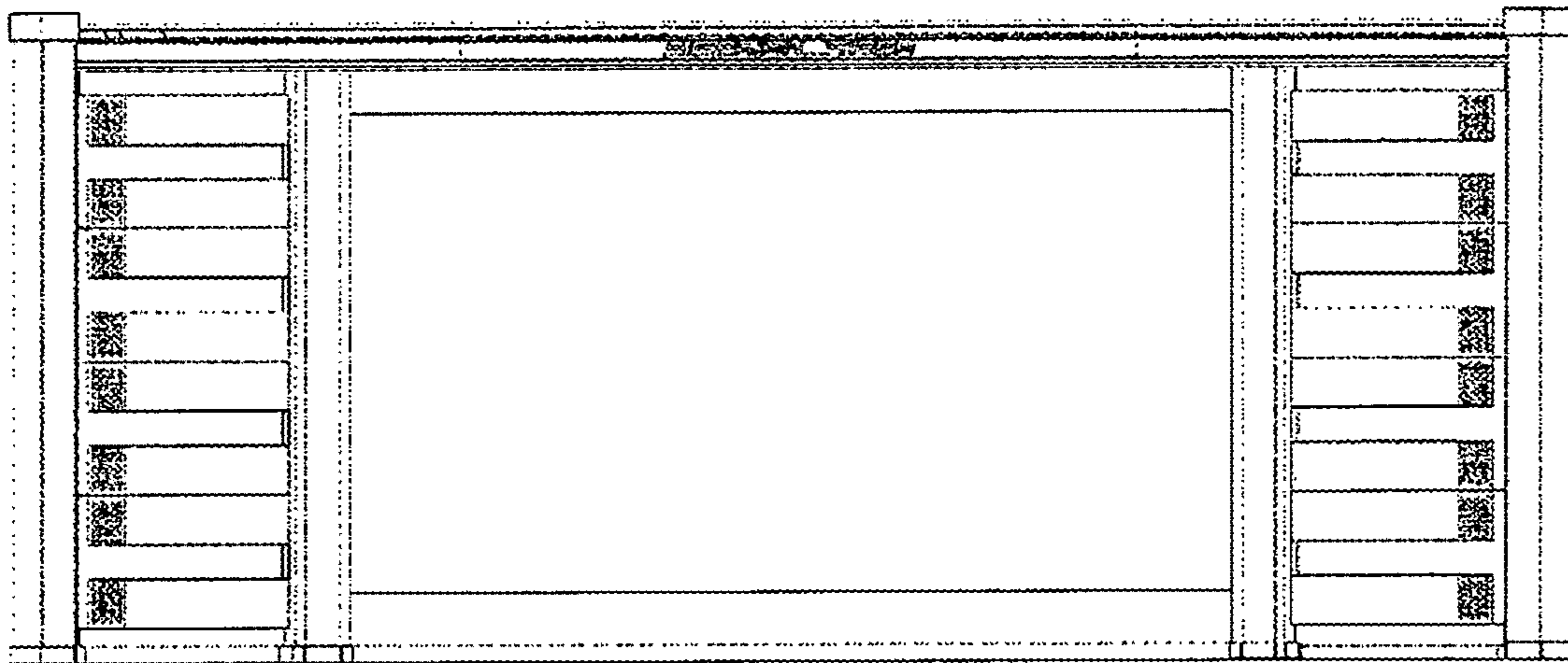


Fig. 3

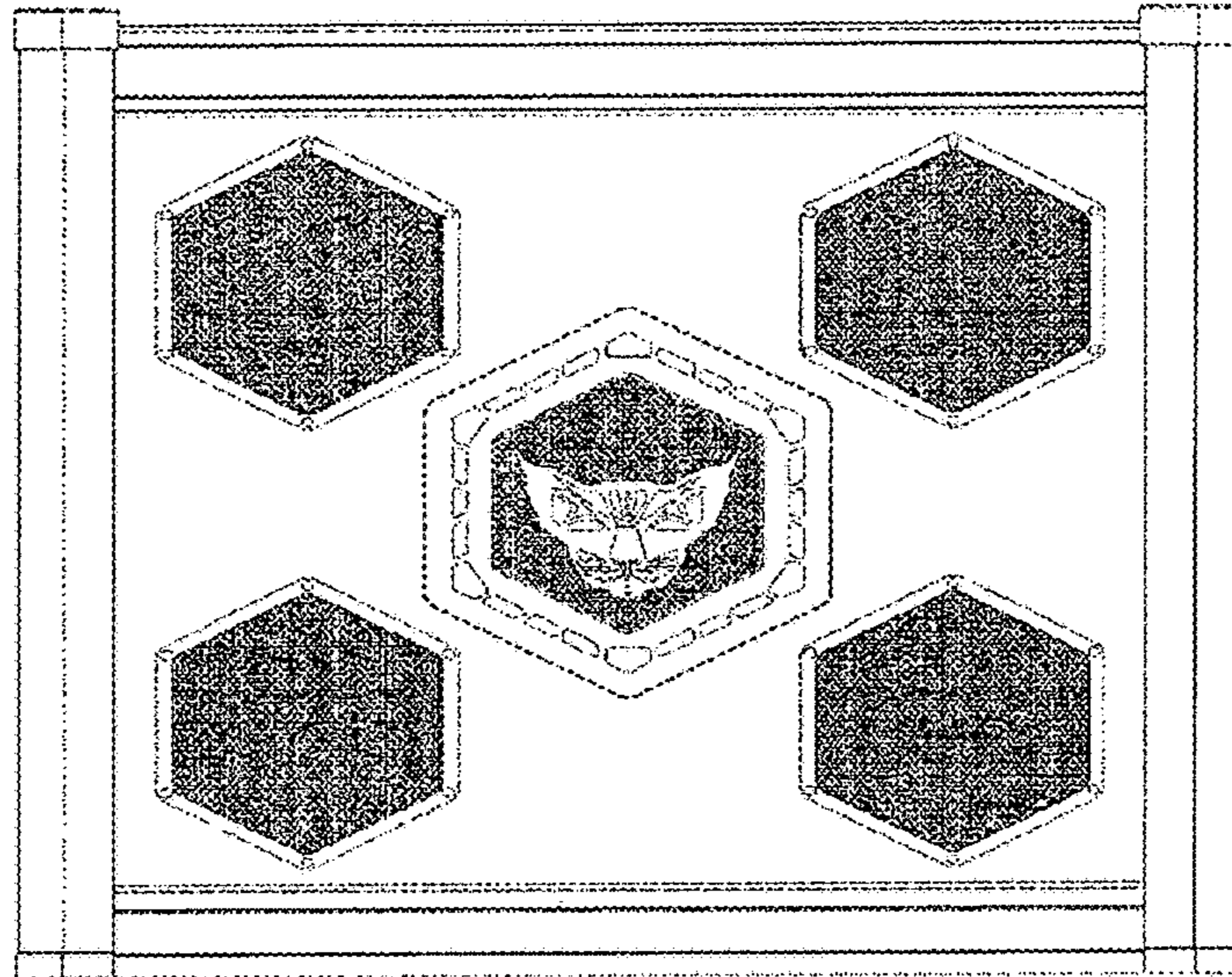


Fig. 4