

US00D793126S

(12) **United States Design Patent** (10) **Patent No.:** **US D793,126 S**
Small (45) **Date of Patent:** **** Aug. 1, 2017**

(54) **MEDIA HOLDER AND STORAGE DEVICE**
(71) Applicant: **Morris A. Small**, Washington, DC (US)
(72) Inventor: **Morris A. Small**, Washington, DC (US)
(**) Term: **15 Years**
(21) Appl. No.: **29/559,086**
(22) Filed: **Mar. 24, 2016**
(51) **LOC (10) Cl.** **06-06**
(52) **U.S. Cl.**
USPC **D6/627**
(58) **Field of Classification Search**
USPC D6/407, 627, 630, 672-673, 682, 682.3;
D14/439, 447, 432, 434, 474, 238.1,
D14/251-253
CPC B60R 11/02; B60R 11/0241; B60R
2011/0294; F16M 11/00; F16M 13/02;
F16M 13/00
See application file for complete search history.

D652,422 S * 1/2012 Cheng D14/253
D654,921 S * 2/2012 Malsan D14/447
D657,741 S * 4/2012 Fahrendorff D13/108
D658,167 S * 4/2012 Buessler D14/251
D661,309 S * 6/2012 Murrer D14/447
D668,662 S * 10/2012 Suiter D14/447
D676,832 S * 2/2013 Akana D14/217
D699,246 S * 2/2014 Ringlein D14/447
D702,665 S * 4/2014 Kim D14/217
D703,215 S * 4/2014 Alesi D14/447
D704,633 S * 5/2014 Ryu D13/108
D705,158 S * 5/2014 Gengler D13/107
D706,784 S * 6/2014 Mills D14/447
D717,290 S * 11/2014 Shen D14/253
D730,888 S * 6/2015 Malsan D14/253
D779,478 S * 2/2017 Justiss D14/253

* cited by examiner

Primary Examiner — Kelley Donnelly
(74) *Attorney, Agent, or Firm* — Harpman & Harpman

(57) **CLAIM**

The ornamental design for a media holder and storage device, as shown and described.

(56) **References Cited**

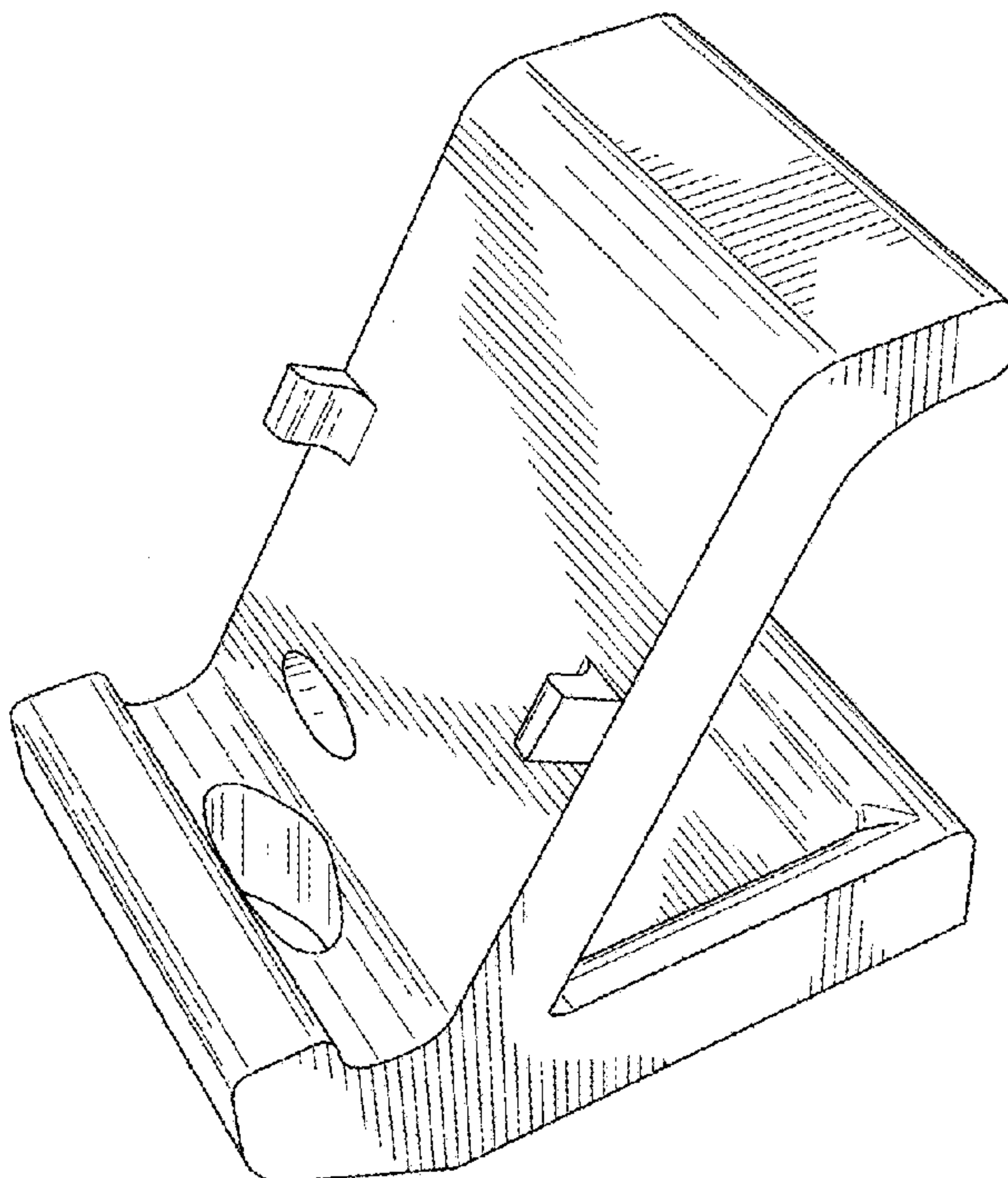
U.S. PATENT DOCUMENTS

D465,532 S * 11/2002 Hussaini D14/432
D474,736 S * 5/2003 Sagawa D13/108
D574,375 S * 8/2008 Prest D14/217
D616,431 S * 5/2010 Hijmans D14/253
D636,395 S * 4/2011 Anderson D13/107
D647,881 S * 11/2011 Warner D14/217
D648,325 S * 11/2011 Akana D14/217
D648,725 S * 11/2011 Akana D14/391

DESCRIPTION

FIG. 1 is a perspective view of the media holder and storage device of my new design.
FIG. 2 is a rear elevational view thereof.
FIG. 3 is a left side perspective view thereof.
FIG. 4 is a top plan view thereof; and,
FIG. 5 is a bottom plan view thereof.

1 Claim, 3 Drawing Sheets



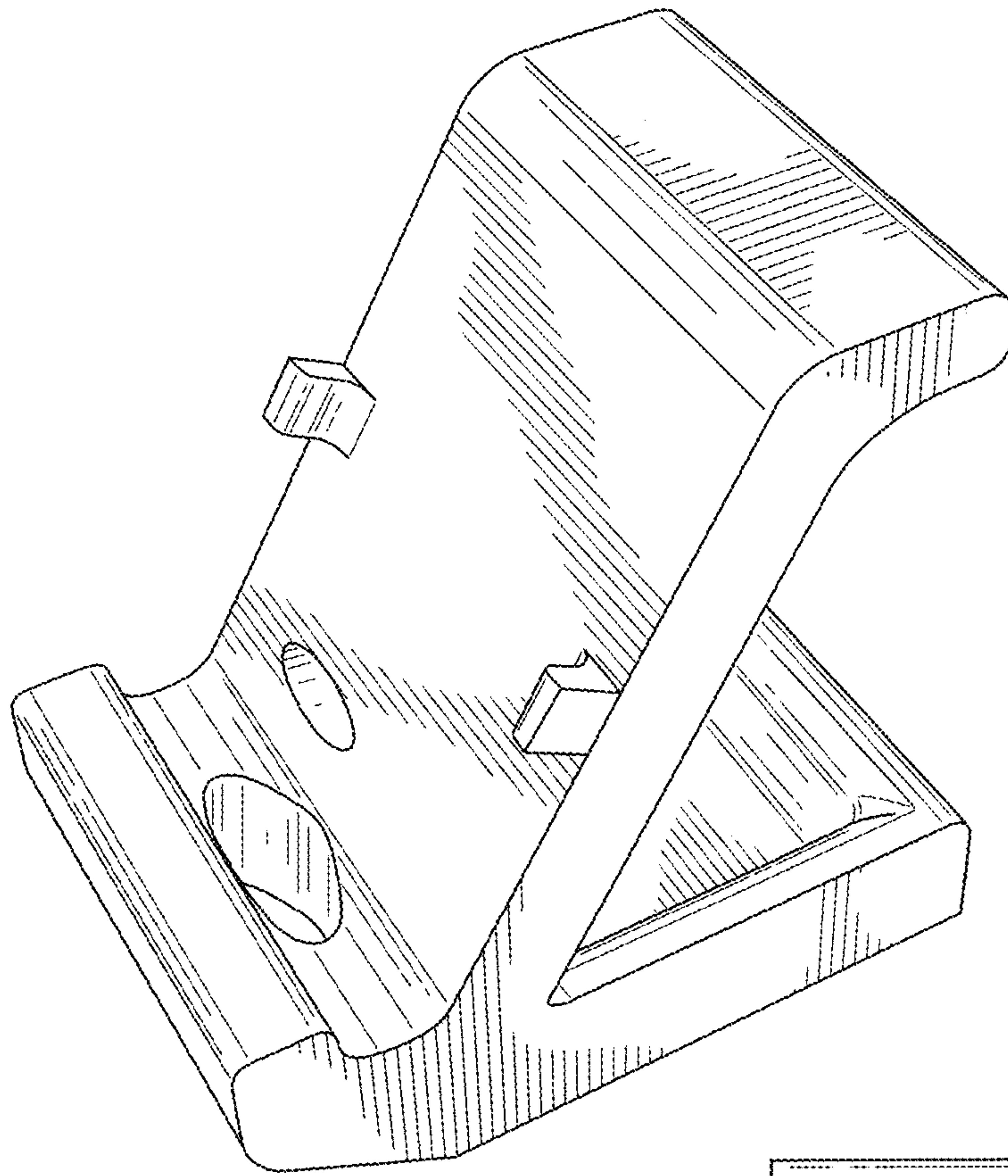


FIG. 1

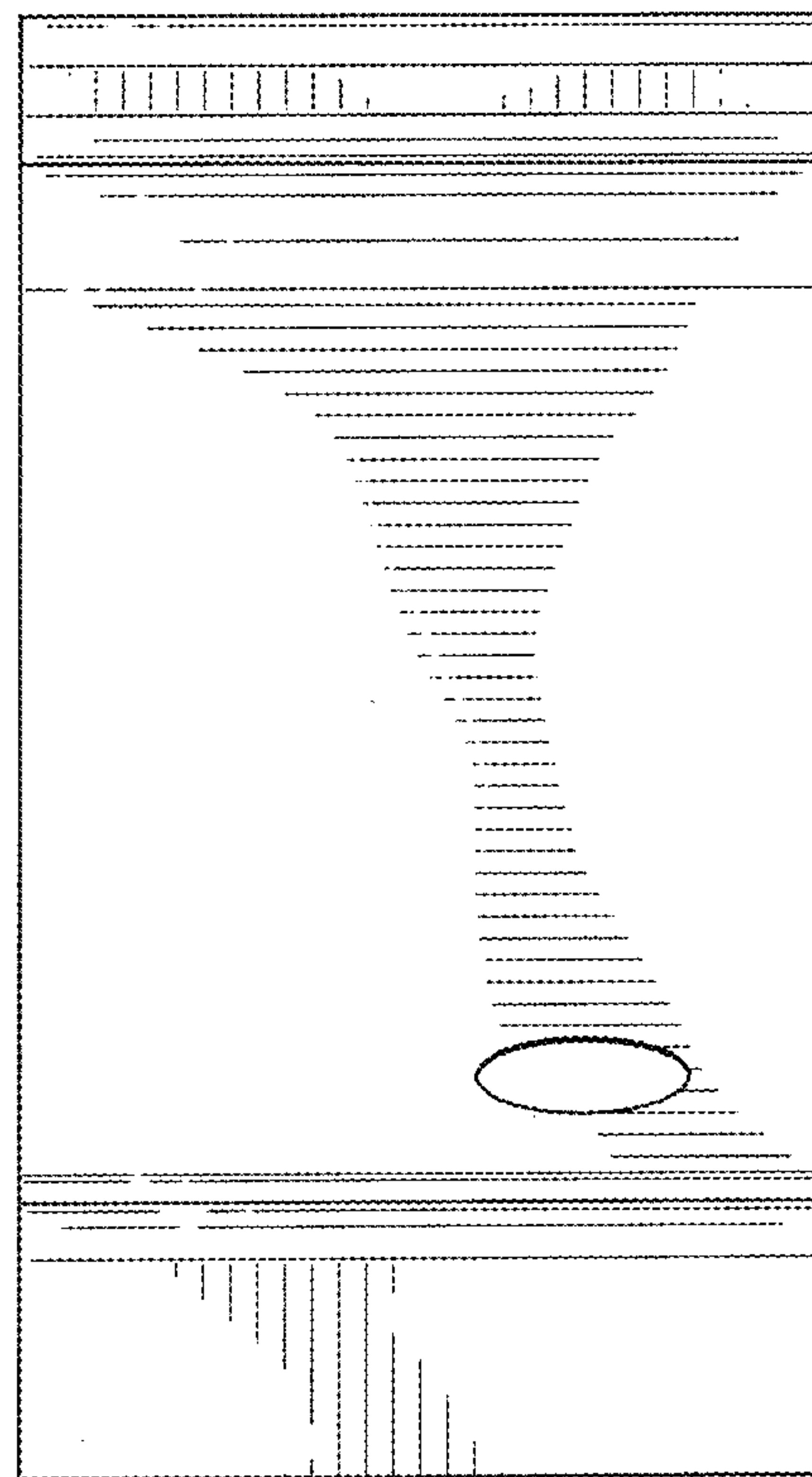


FIG. 2

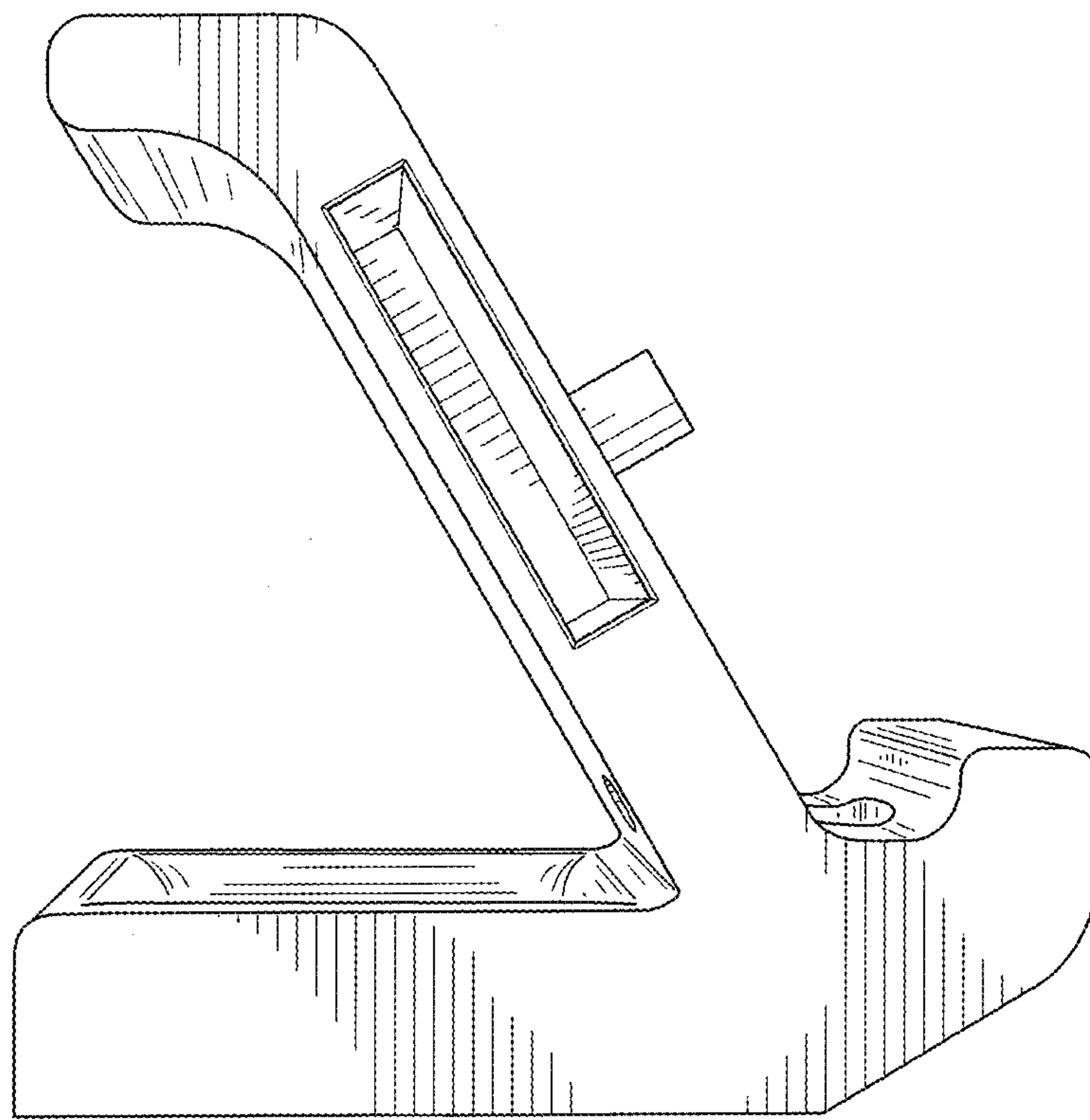


FIG. 3

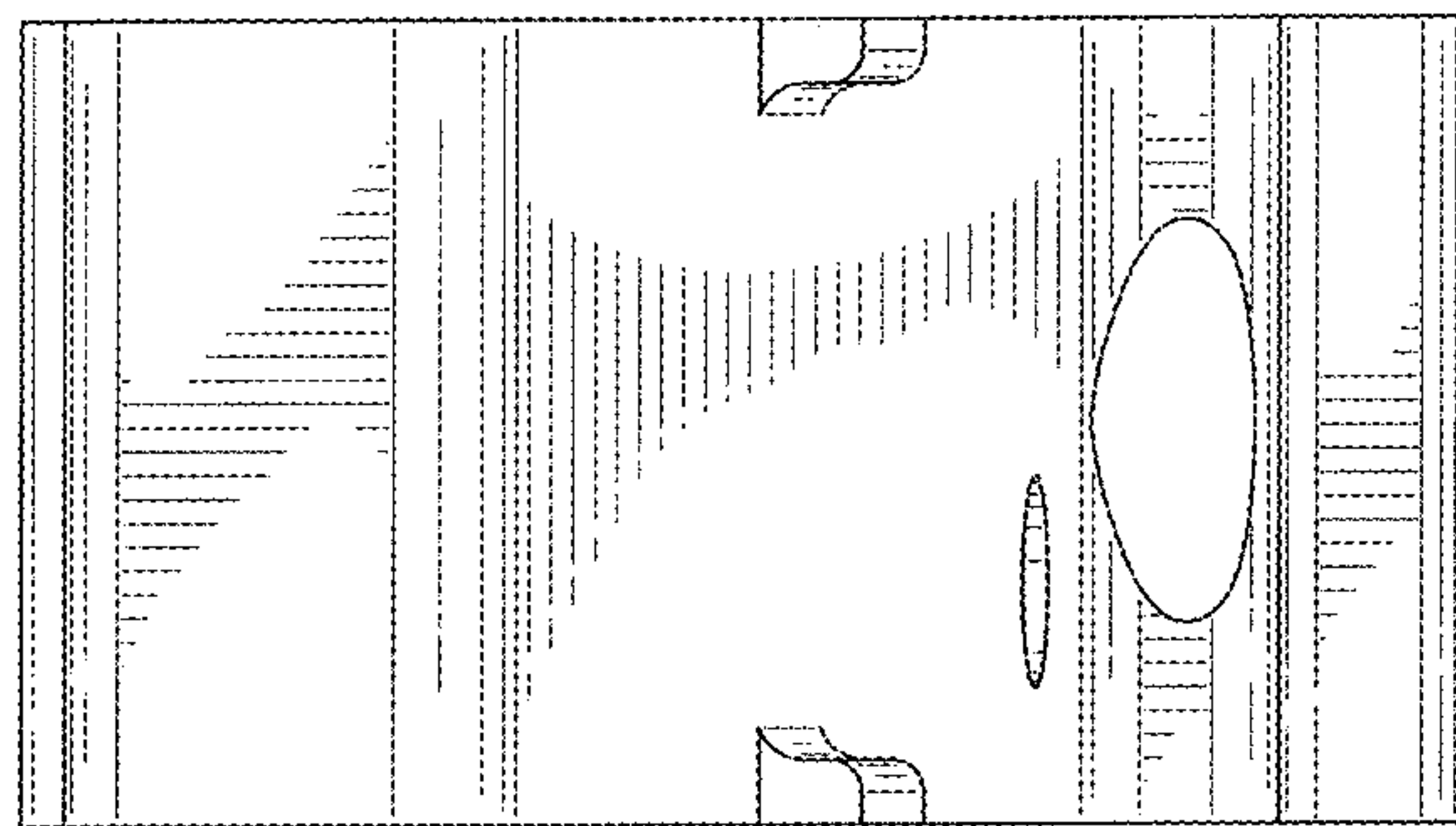


FIG. 4

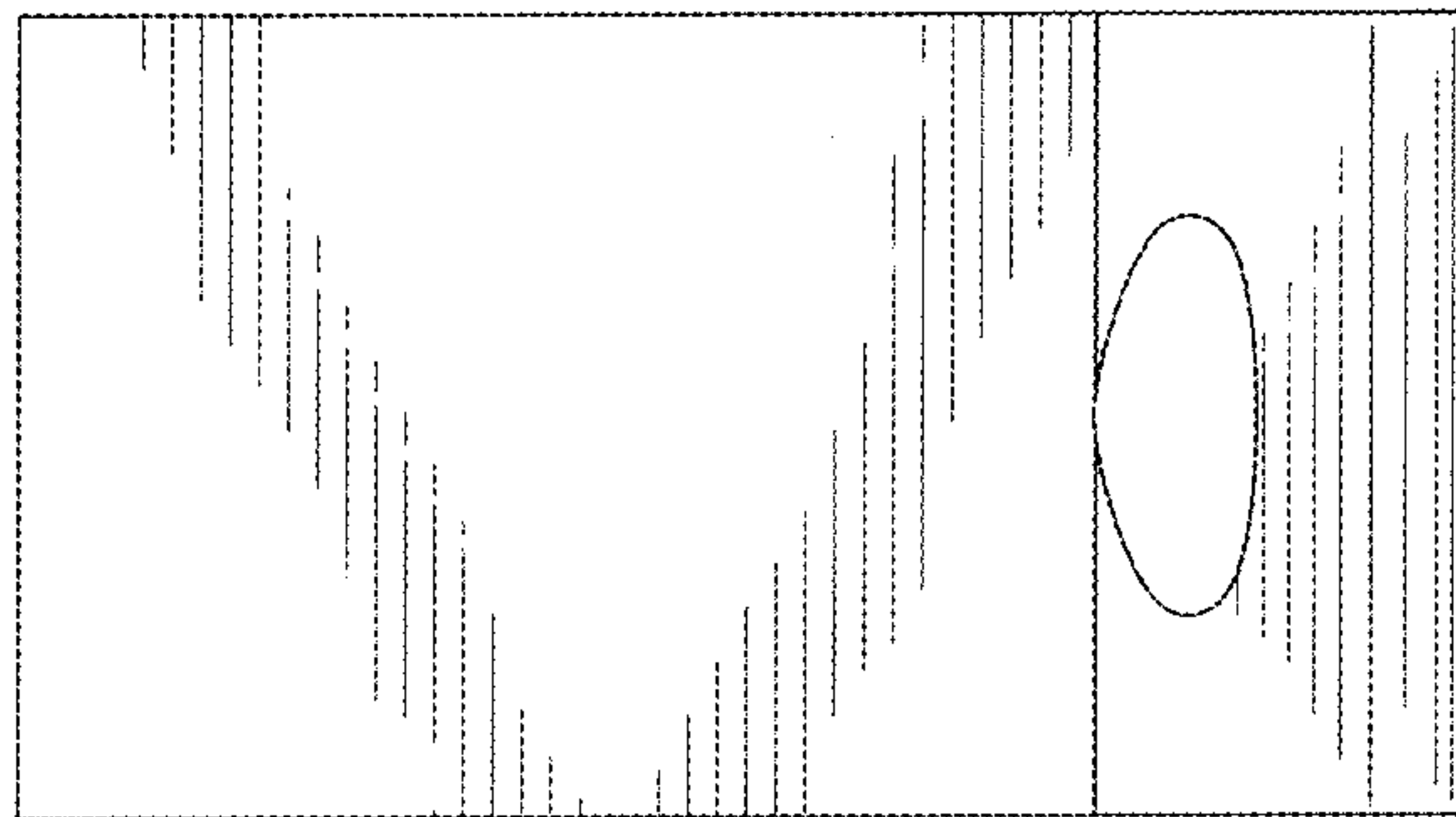


FIG. 5