



US00D793125S

(12) **United States Design Patent**  
**Bemis**

(10) **Patent No.:** **US D793,125 S**  
(45) **Date of Patent:** **\*\* Aug. 1, 2017**

(54) **BLEACHER COVER**

**DESCRIPTION**

(71) Applicant: **David G. Bemis**, Corona, CA (US)  
(72) Inventor: **David G. Bemis**, Corona, CA (US)  
(\*\*) Term: **15 Years**  
(21) Appl. No.: **29/554,656**  
(22) Filed: **Feb. 12, 2016**  
(51) **LOC (10) Cl.** ..... **06-13**  
(52) **U.S. Cl.**  
USPC ..... **D6/611**  
(58) **Field of Classification Search**  
USPC ..... D6/334-336, 349, 351, 352, 358, 360,  
D6/364, 365, 366, 374, 375, 379, 380,  
(Continued)

(56) **References Cited**

**U.S. PATENT DOCUMENTS**

5,080,431 A \* 1/1992 Frazier ..... B62J 1/20  
297/184.11  
5,103,347 A \* 4/1992 Lumbra ..... G02B 7/182  
248/489

(Continued)

**OTHER PUBLICATIONS**

“Vinyl Bleacher Cover” Feb. 8, 2011, swbandproducts.com, site visited Mar. 14, 2017 <<http://www.swbandproducts.com/store/bleacher-covers.html>>.\*

(Continued)

*Primary Examiner* — Kevin Rudzinski  
*Assistant Examiner* — Paul Bohannon  
(74) *Attorney, Agent, or Firm* — Stetina Brunda Garred and Brucker

(57) **CLAIM**

The ornamental design for a bleacher cover, as shown and described.

FIG. 1 is a perspective view of a first embodiment of a bench cushion mounted to a bench with both opposed sides of the bench being covered;  
FIG. 2 is a front view of the bench cushion shown in FIG. 1 when laid flat;  
FIG. 3 is a rear view of the bench cushion shown in FIG. 1 when laid flat;  
FIG. 4 is a left side view of the bench cushion shown in FIG. 1 when laid flat;  
FIG. 5 is a right side view of the bench cushion shown in FIG. 1 when laid flat;  
FIG. 6 is a top view of the bench cushion shown in FIG. 1 when laid flat;  
FIG. 7 is a bottom view of the bench cushion shown in FIG. 1 when laid flat;  
FIG. 8 is a perspective view of a second embodiment of the bench cushion shown in FIG. 1 mounted to the bench with one side of the bench being covered;  
FIG. 9 is a front view of the bench cushion shown in FIG. 8 when laid flat;  
FIG. 10 is a rear view of the bench cushion shown in FIG. 8 when laid flat;  
FIG. 11 is a left side view of the bench cushion shown in FIG. 8 when laid flat;  
FIG. 12 is a right side view of the bench cushion shown in FIG. 8 when laid flat;  
FIG. 13 is a top view of the bench cushion shown in FIG. 8 when laid flat;  
FIG. 14 is a bottom view of the bench cushion shown in FIG. 8 when laid flat;  
FIG. 15 is a perspective view of a third embodiment of the bench cushion mounted to the bench with no covering on the opposed sides;  
FIG. 16 is a front view of the bench cushion shown in FIG. 15 when laid flat;  
FIG. 17 is a rear view of the bench cushion shown in FIG. 15 when laid flat;  
FIG. 18 is a left side view of the bench cushion shown in FIG. 15 when laid flat;  
FIG. 19 is a right side view of the bench cushion shown in FIG. 15 when laid flat;

(Continued)

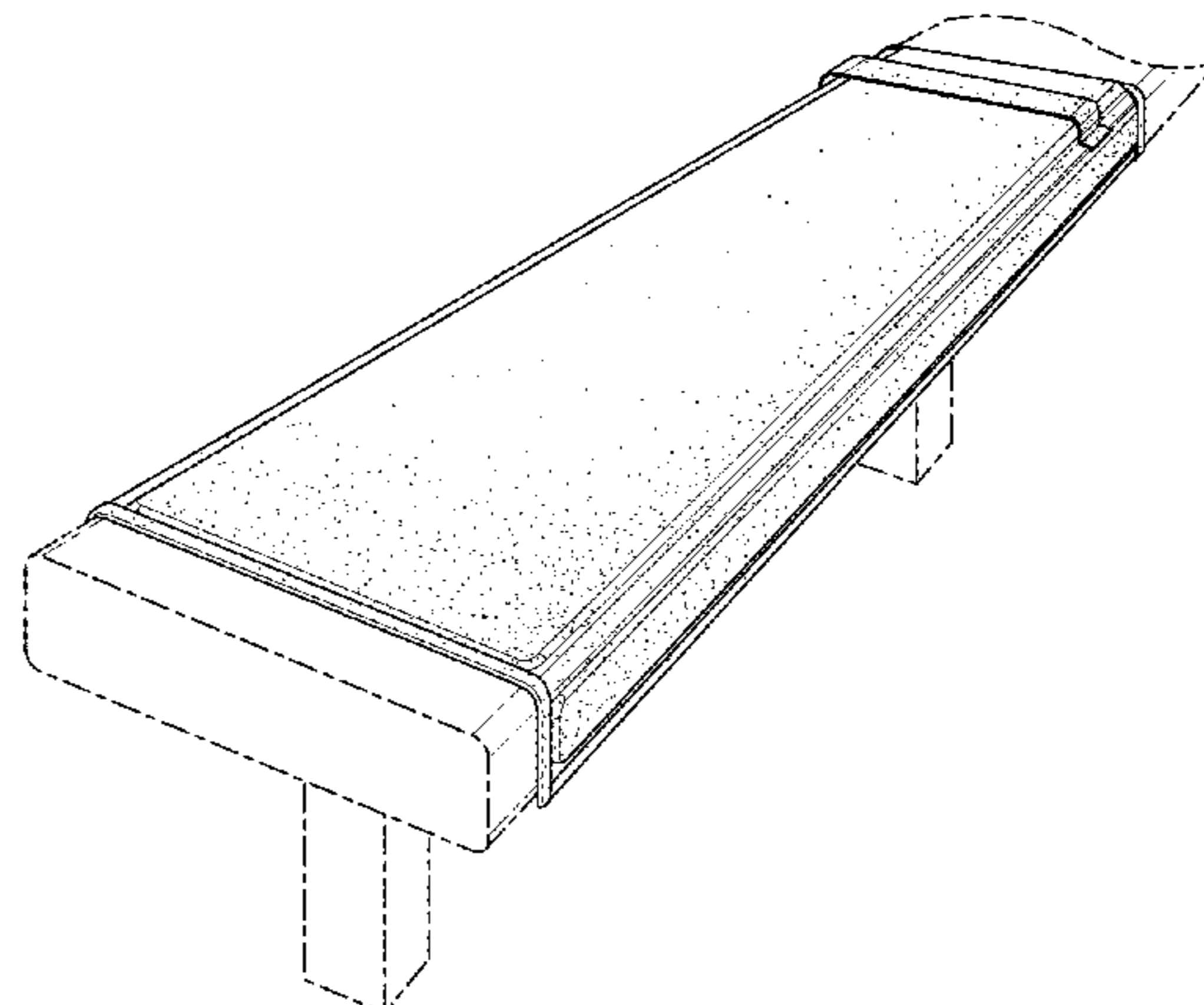
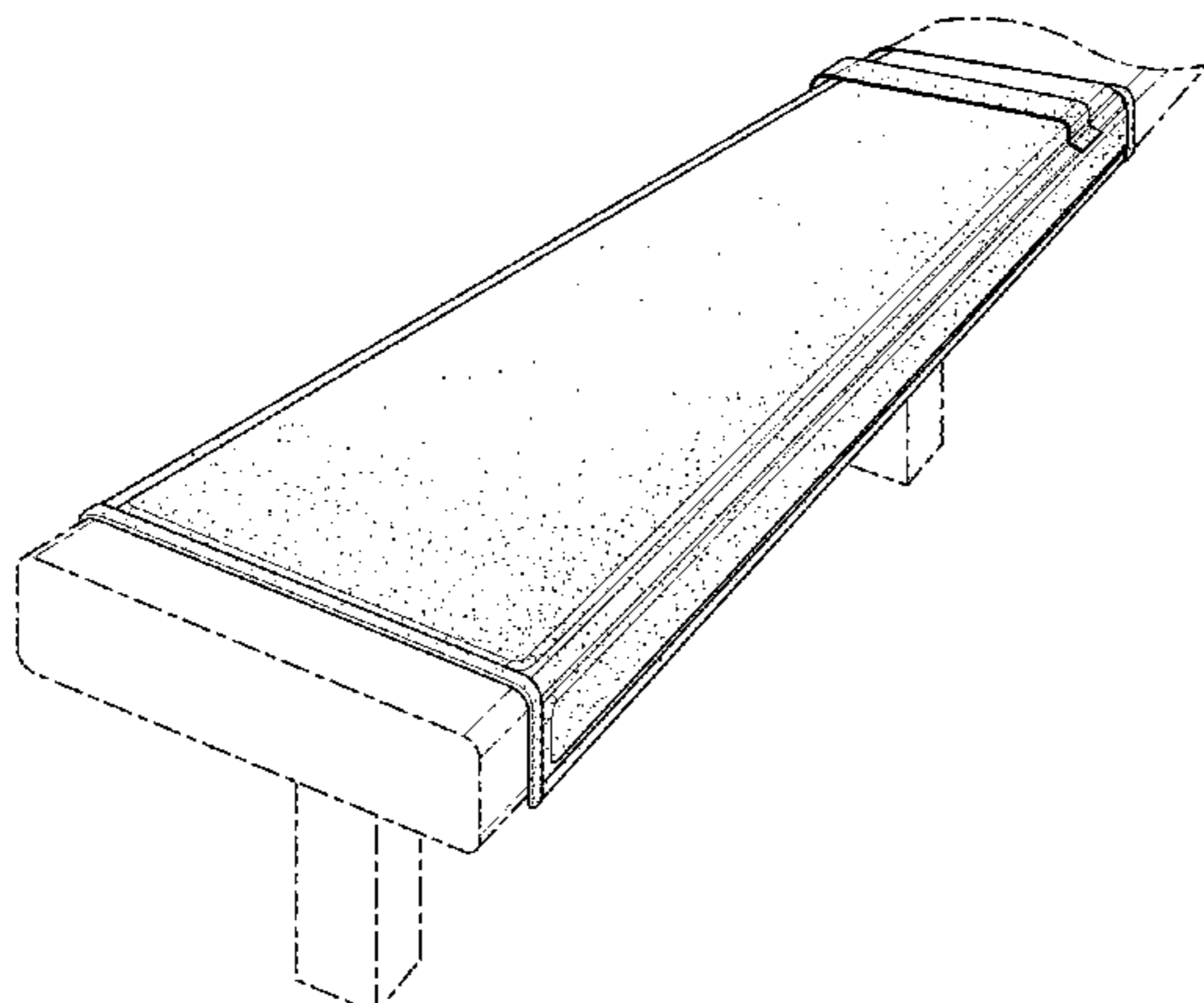


FIG. 20 is a top view of the bench cushion shown in FIG. 15 when laid flat; and, FIG. 21 is a bottom view of the bench cushion shown in FIG. 15 when laid flat. The broken line showing a bench is for the purpose of illustrating the environmental structure and forms no part of the claimed design.

**1 Claim, 21 Drawing Sheets**

(58) **Field of Classification Search**

USPC .. D6/611, 657, 662.1, 672, 674, 675, 675.1, D6/675.3, 683, 683.1, 685, 691, 691.5, D6/702, 708, 708.2, 708.21, 708.25, 716, D6/716.1-716.4; D3/304, 307, 309  
 CPC ..... A47C 1/143; A47C 1/16; A47C 31/00; A47C 31/11; A47C 31/08; A47C 31/10; A47C 31/105; A47C 31/113; A47C 31/116; A47C 4/28; A47C 4/283; A47C 4/286; A47C 4/30; A47C 4/32; A47C 4/34; A47C 4/36; A47C 4/38; A47C 4/40; A47C 4/42; A47C 4/44; A47C 4/46; A47C 4/48; A47C 4/50; A47C 4/54; A47C 5/00; A47C 5/005; A47C 5/02; A47C 7/02; A47C 7/36; A47C 7/50; A47C 7/54; A47C 7/62; A47C 7/66; A47C 7/425; A47C 7/021; A47C 17/00; A47C 17/045; A47C 17/22; A47C 17/86; A47C 19/205; A47C 21/00; A47C 21/022; A47C 21/026; A47C 21/028; A47C 21/042; A47C 27/001; A47C 27/002; A47C 27/003; A47C 27/005; A47C 27/006; A47C 27/007; A47C 27/008; A47C 27/05; A47C 27/053; A47C 27/056; A47C 27/067; A47C 3/16; A47D 1/00; B60N 2/60; B60N 2/2881; B60N 2/6018; B60N 2/6036; B60N 2/3095;

B62J 1/20; B62J 21/00; G02B 7/182; A01M 31/02; A41D 3/08; B62D 33/0273  
 See application file for complete search history.

(56)

**References Cited**

U.S. PATENT DOCUMENTS

5,927,575 A \* 7/1999 Gatling ..... A01M 31/02  
 224/153  
 5,957,528 A \* 9/1999 Campbell ..... B60N 2/6036  
 297/218.4  
 5,979,722 A \* 11/1999 Gonzales ..... B62J 21/00  
 2/46  
 6,243,873 B1 \* 6/2001 Aliff ..... A41D 3/08  
 2/84  
 6,254,182 B1 \* 7/2001 Townsend ..... A47C 31/116  
 297/219.1  
 6,286,885 B1 \* 9/2001 Ramos ..... B62D 33/0273  
 296/136.07  
 6,312,051 B1 \* 11/2001 Adams ..... A47C 31/113  
 297/228.11  
 6,352,306 B1 \* 3/2002 Dreiling ..... A47C 1/16  
 297/252  
 8,123,271 B1 \* 2/2012 Wimberley ..... B60N 2/3095  
 296/57.1  
 8,147,000 B1 \* 4/2012 Drake ..... A47C 7/021  
 297/219.1  
 D774,804 S \* 12/2016 Beauliere ..... D6/604

OTHER PUBLICATIONS

School Specialty Marketplace, Jaypro Bleacher—Configurable Item, Vinyl Covered Pad (online), Retrieved from the internet as early as Jun. 7, 2016 <URL:https://store.schoolspecialty.com/OA\_HTML/ibeCCTpltmDspRte.jsp?minisite=10206&item=2530261&gclid=Clvk6NLrmM0CFYhffgodrIkEeg>.  
 Tote Unlimited, DSI—Bleacher Cover (online), Retrieved from the internet as early as Jun. 6, 2016 <URL:http://www.toteunlimited.com/store/product.php?productid=16366&cat=360&page=1>.

\* cited by examiner

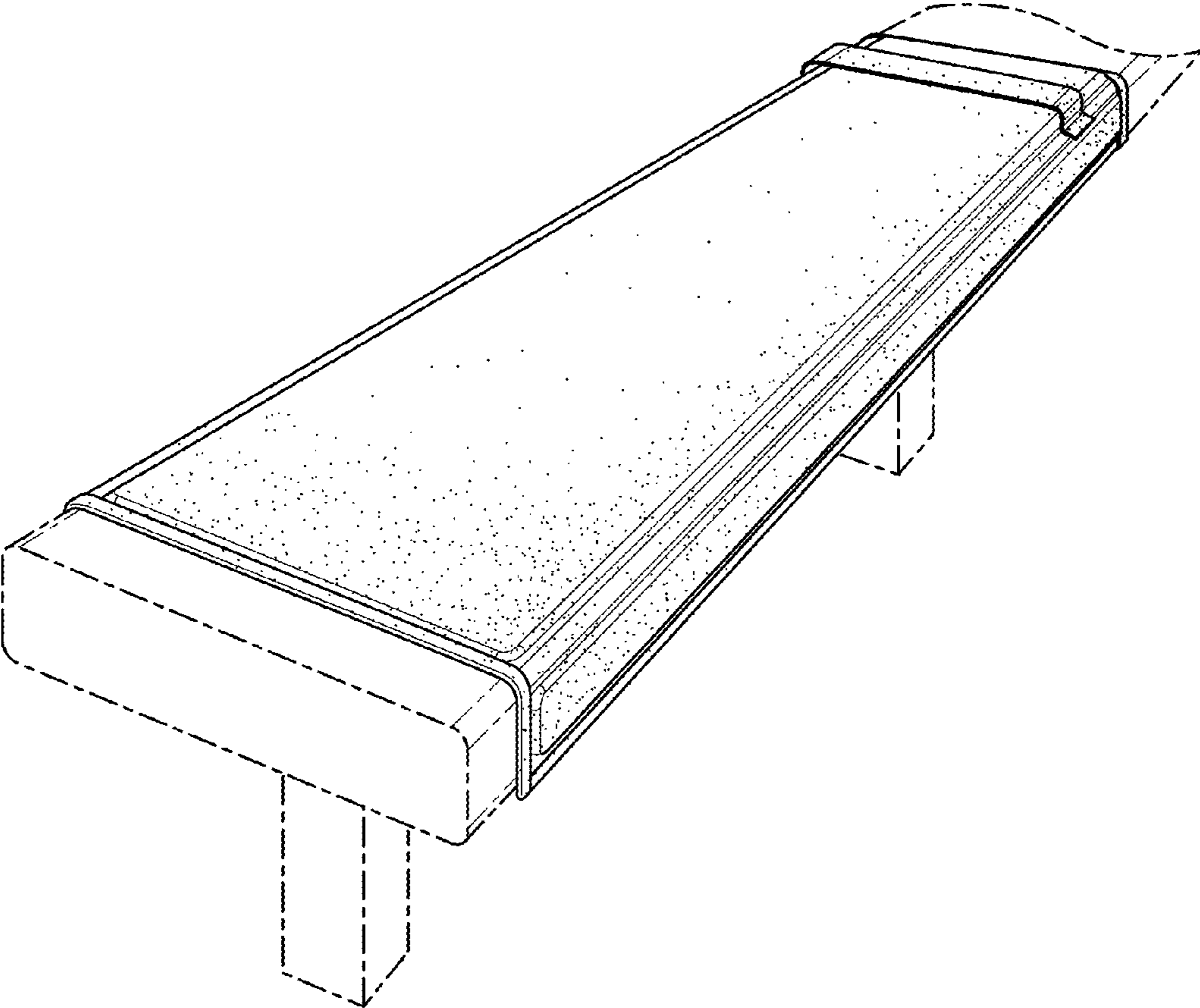


FIG. 1

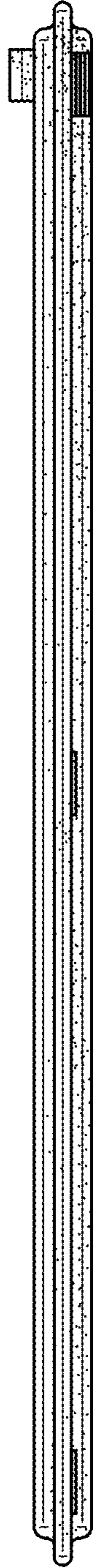


FIG. 2

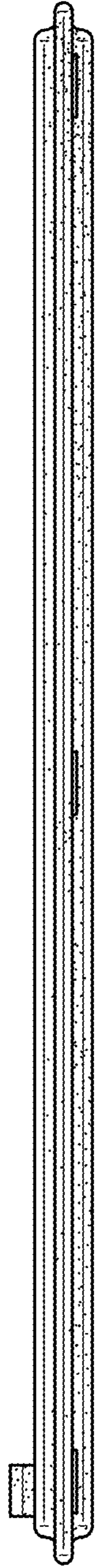


FIG. 3

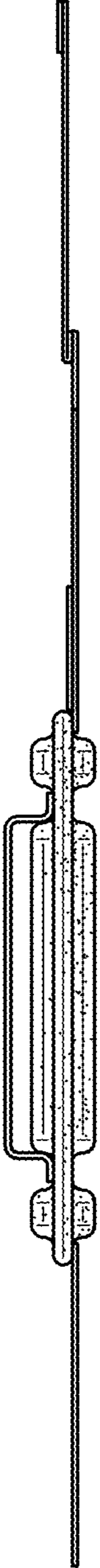


FIG. 4

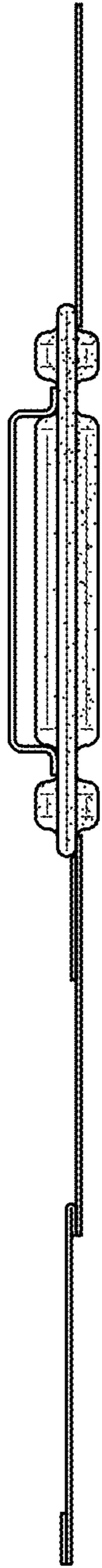


FIG. 5

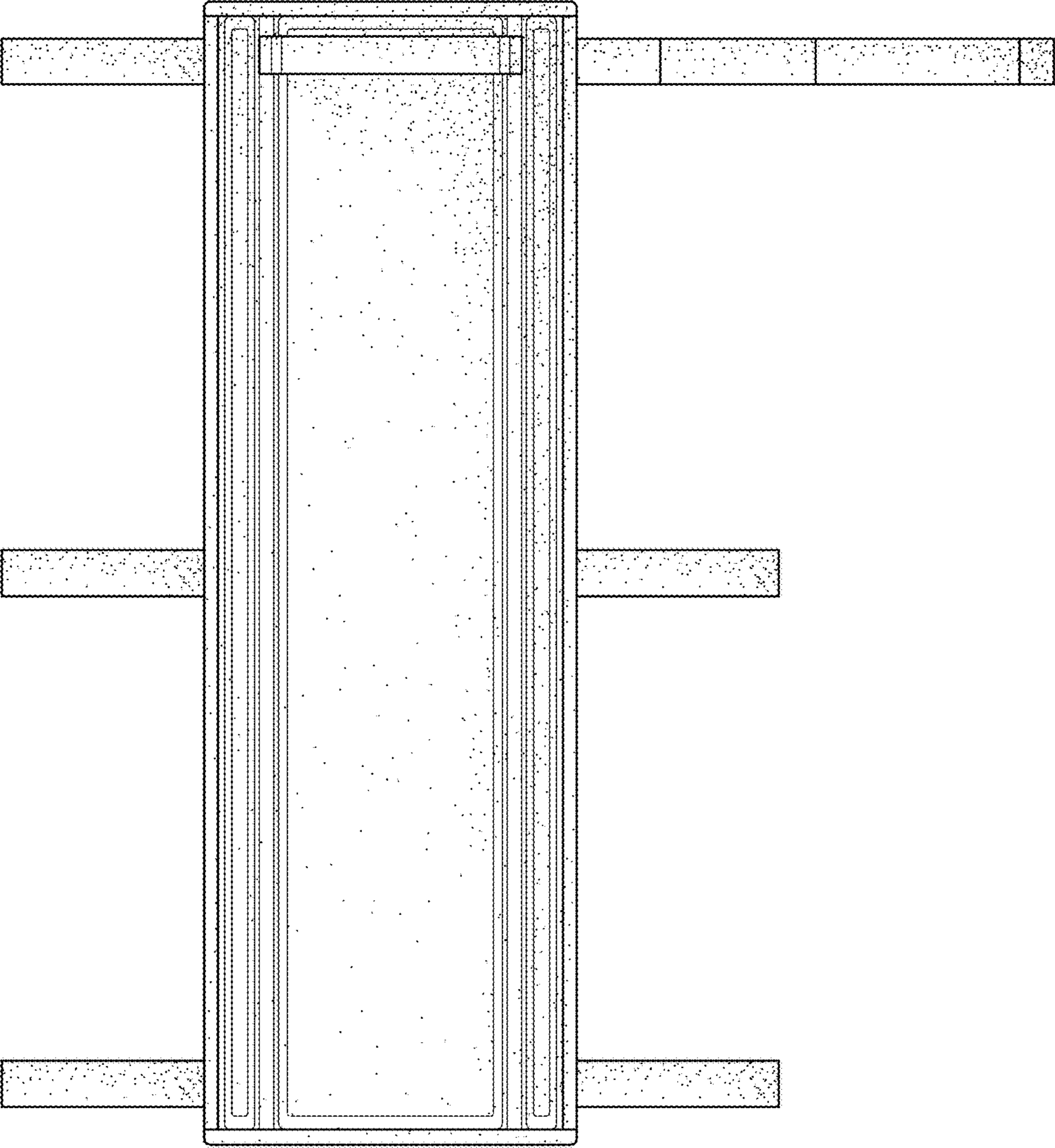


FIG. 6



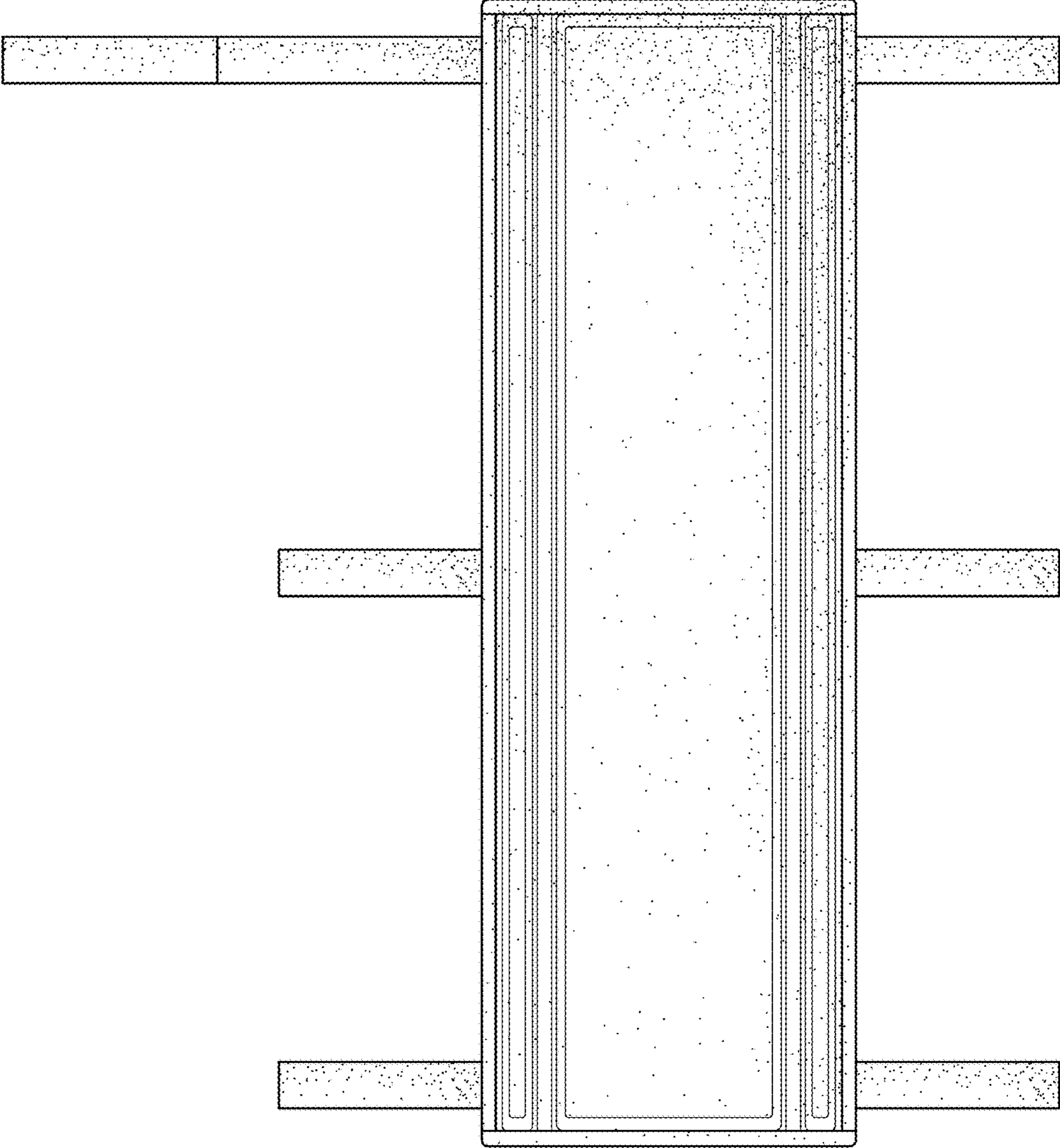


FIG. 7

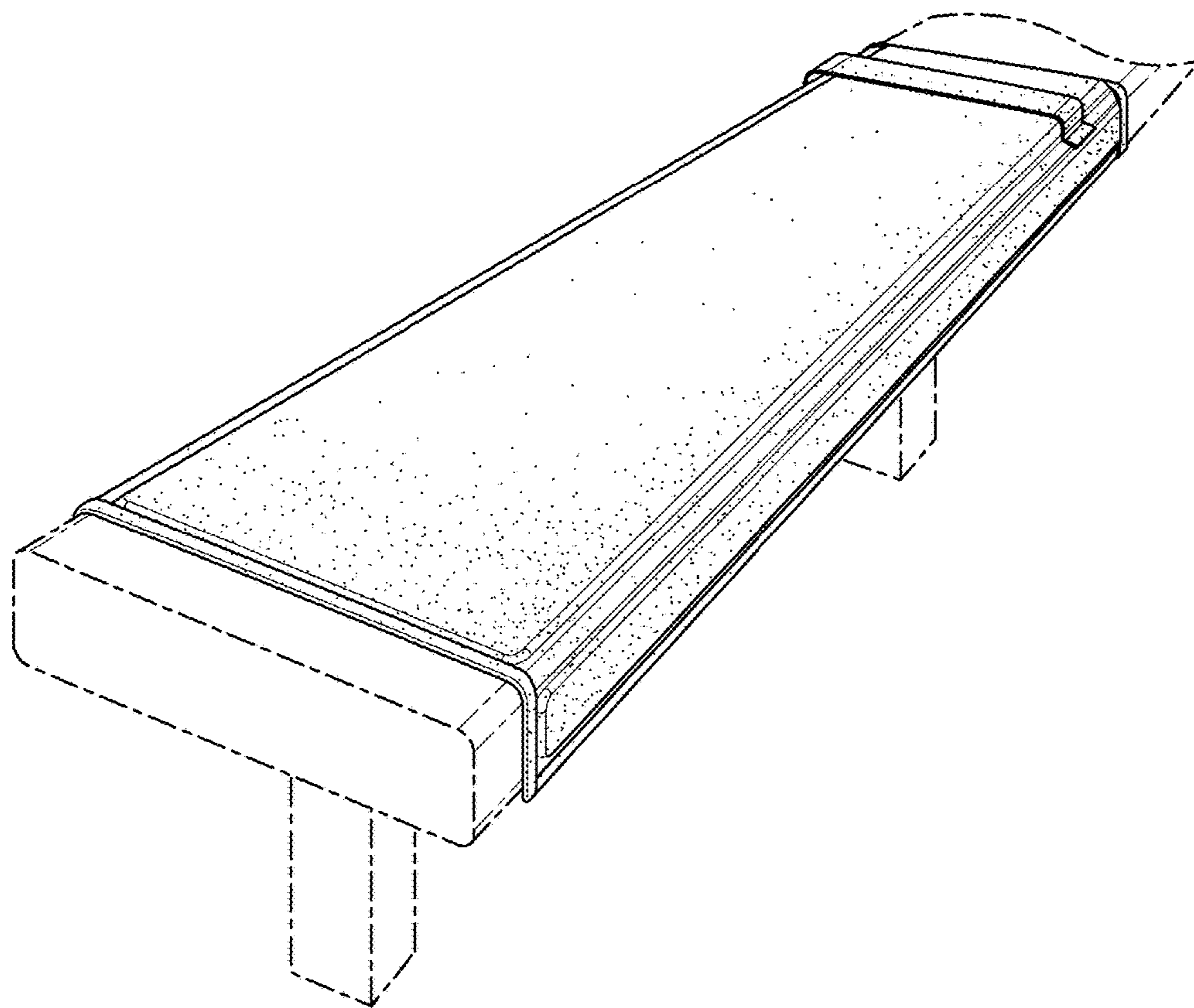


FIG. 8



FIG. 9



FIG. 10

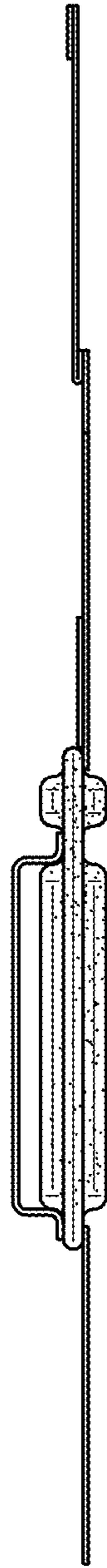


FIG. 11

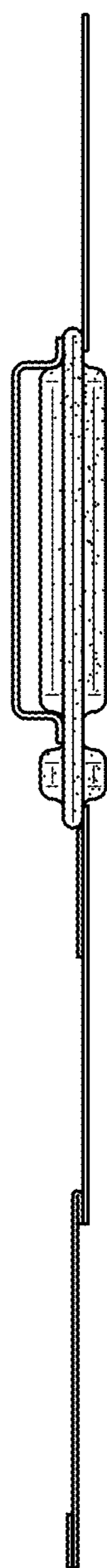


FIG. 12

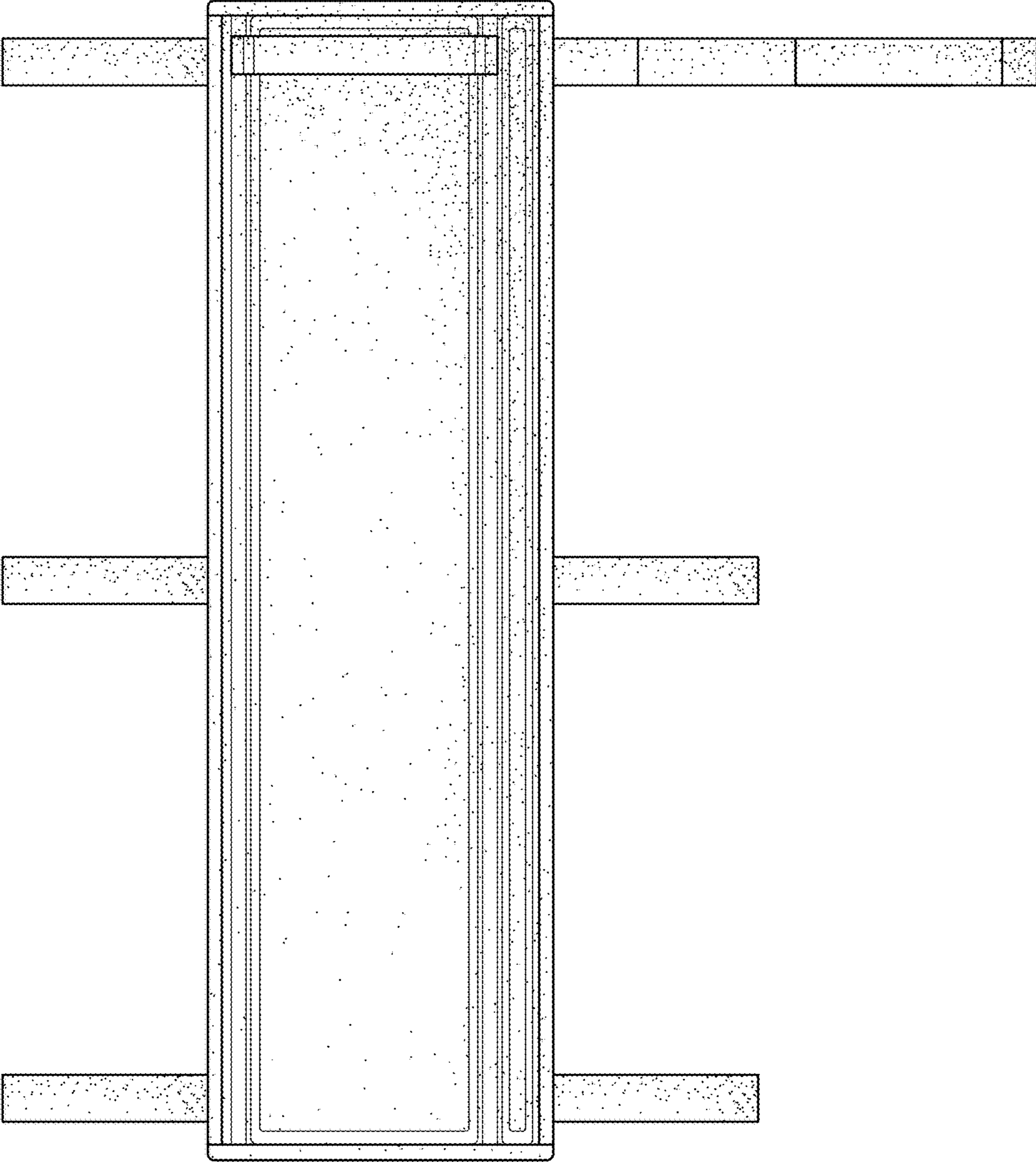


FIG. 13

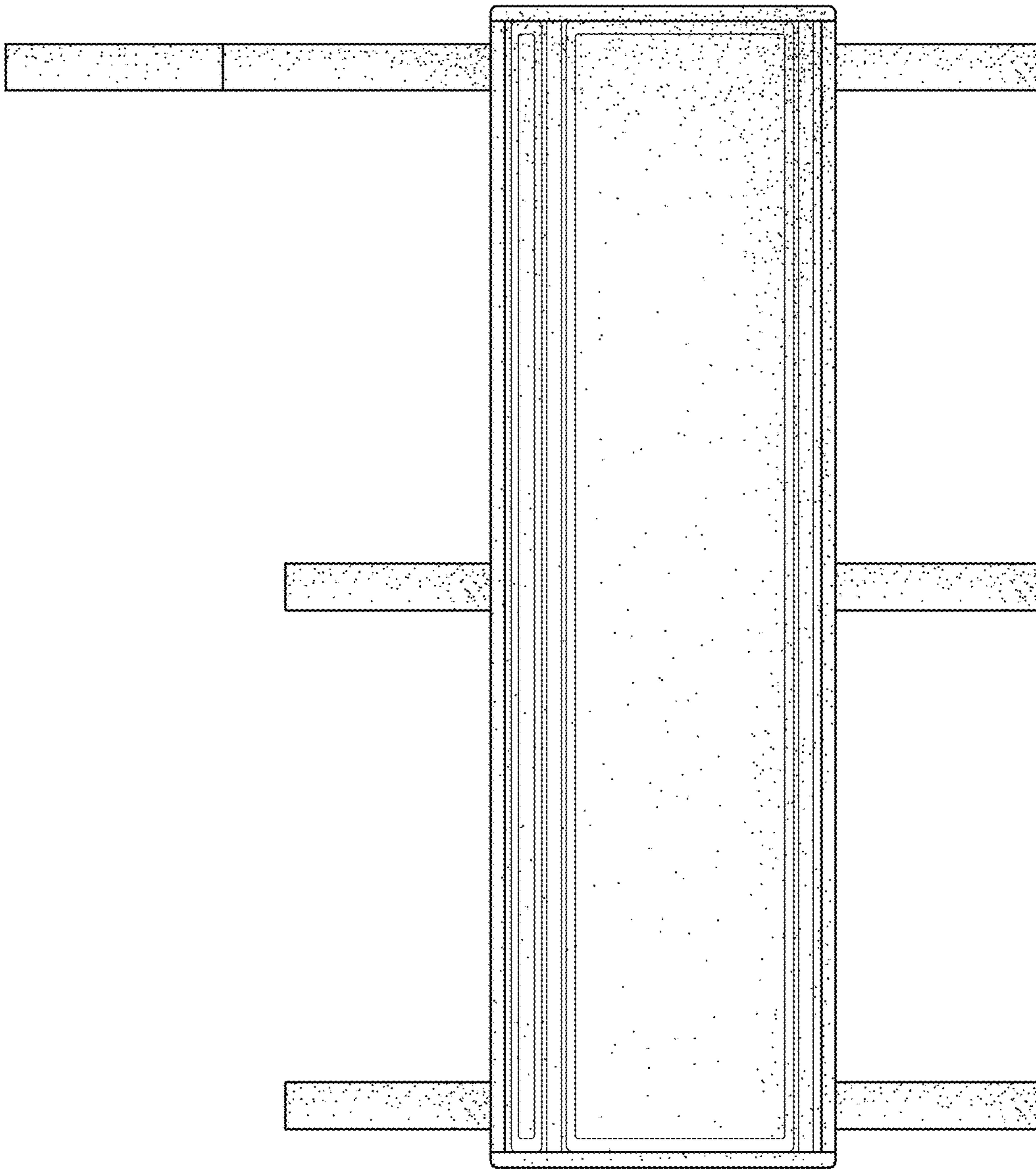


FIG. 14



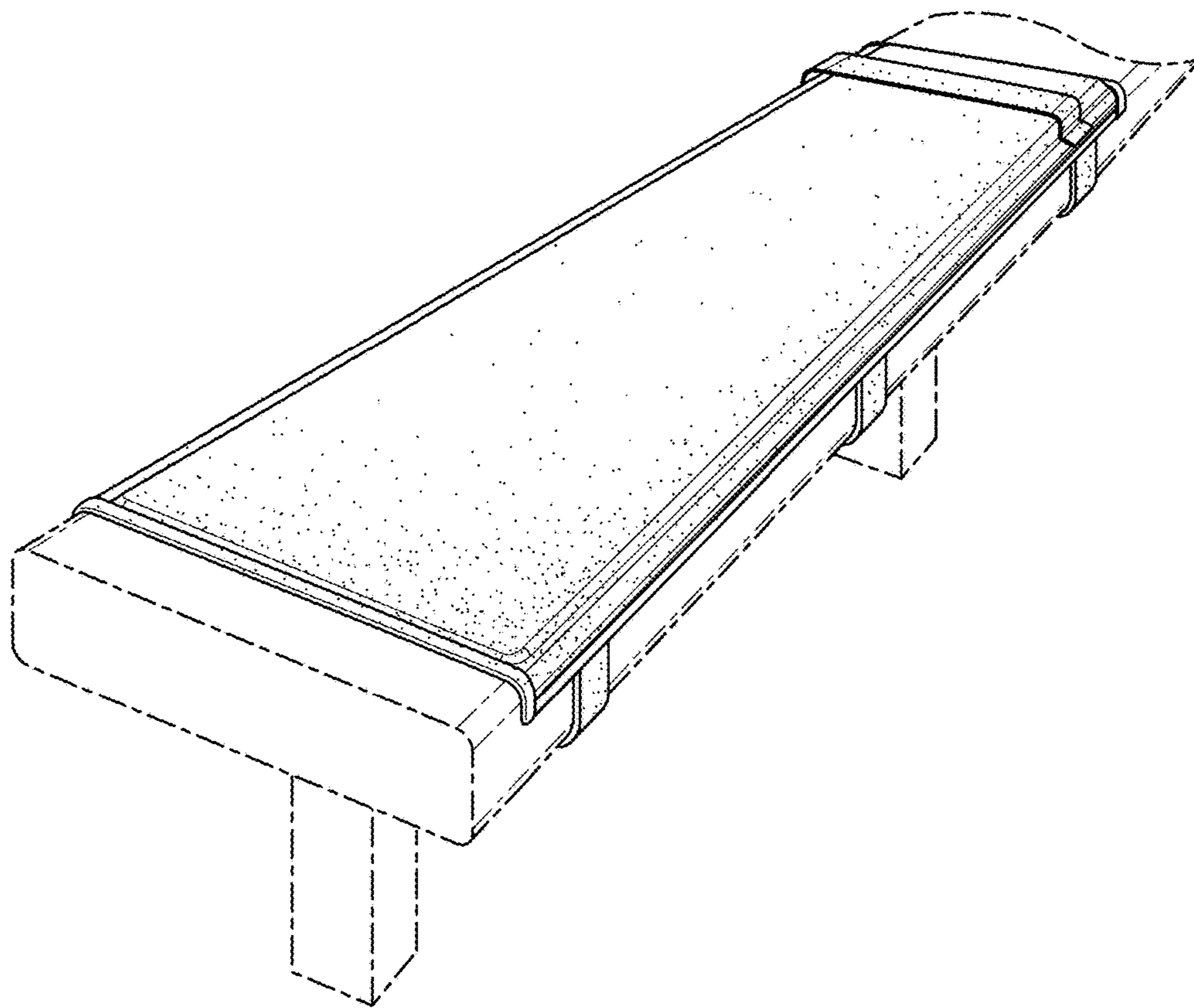


FIG. 15



FIG. 16



FIG. 17

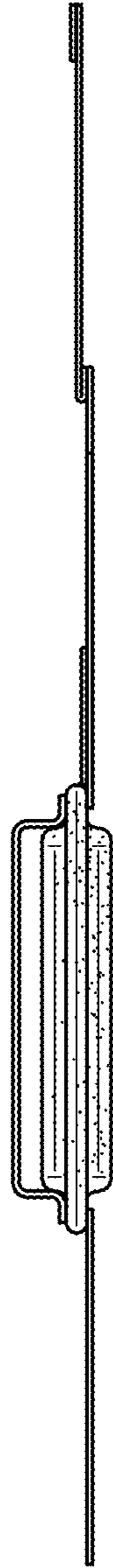


FIG. 18

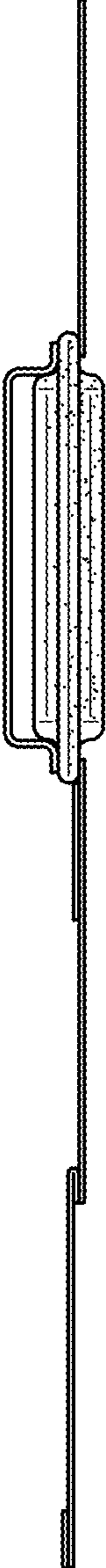


FIG. 19

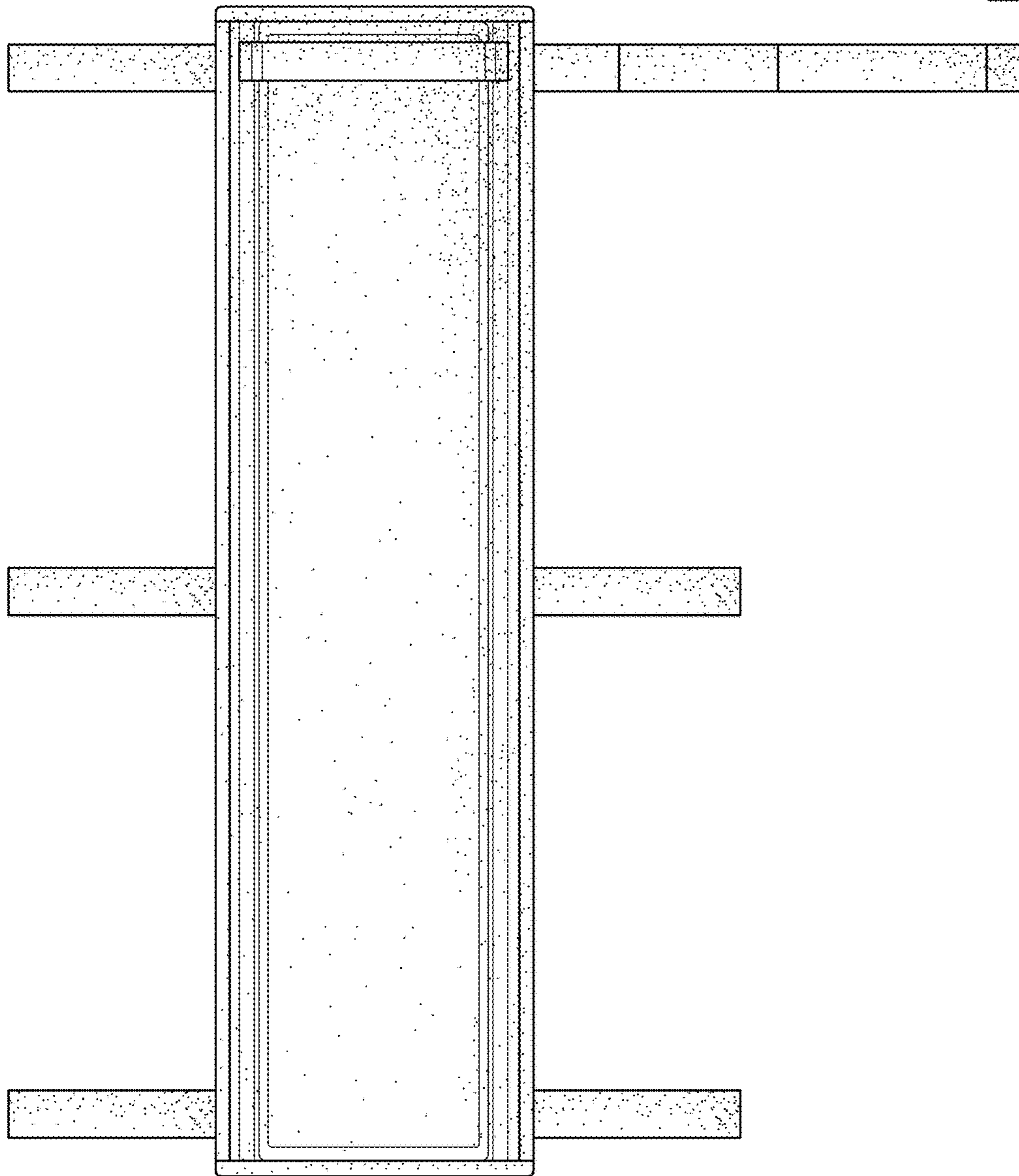


FIG. 20

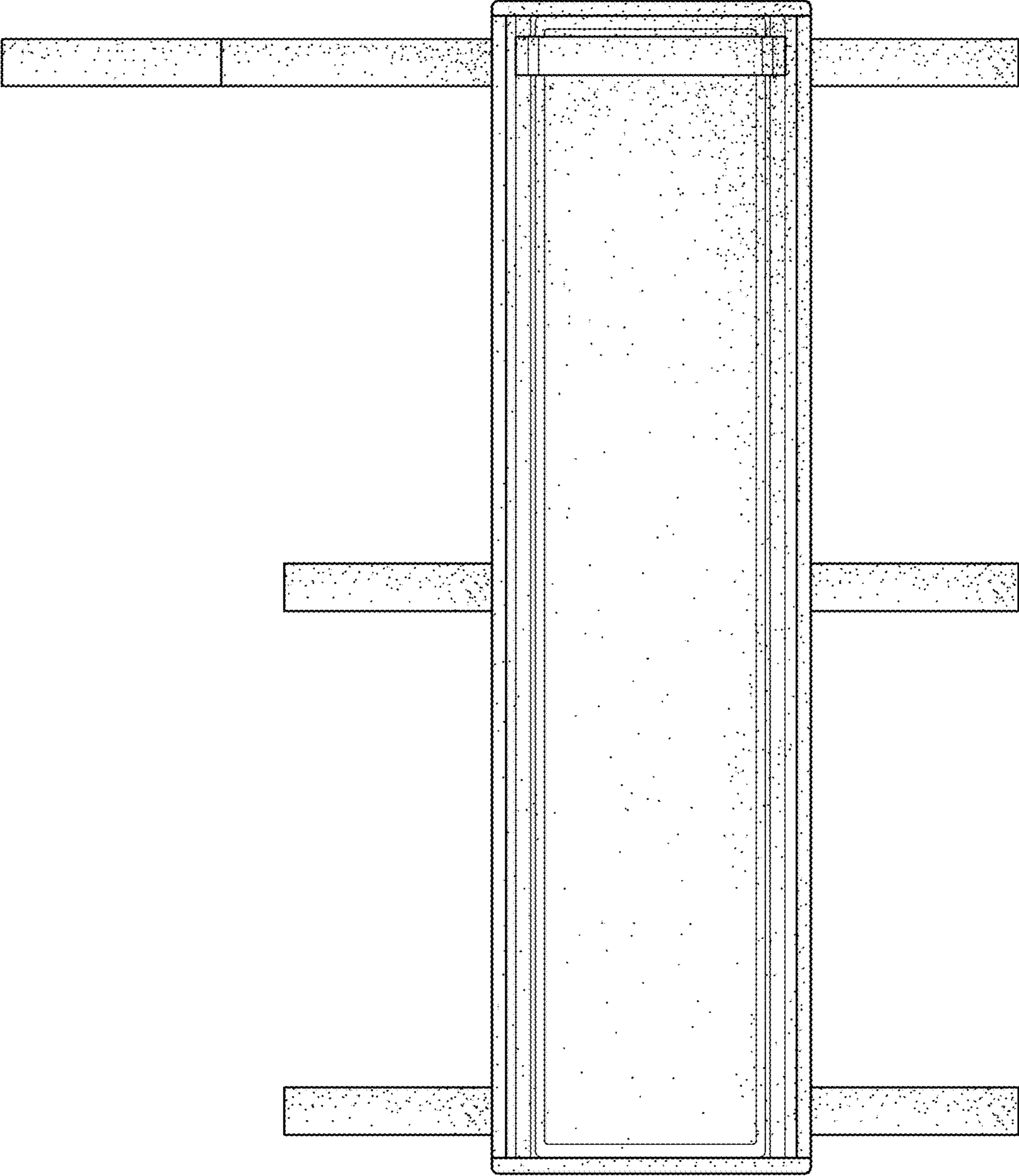


FIG. 21