



US00D793124S

(12) **United States Design Patent** (10) **Patent No.:** **US D793,124 S**
Patel et al. (45) **Date of Patent:** **** Aug. 1, 2017**

(54) **PILLOW WALL**
(71) Applicants: **Deeptesh Patel**, Randolph, NJ (US);
Chaitali Patel, Randolph, NJ (US)
(72) Inventors: **Deeptesh Patel**, Randolph, NJ (US);
Chaitali Patel, Randolph, NJ (US)
(**) Term: **15 Years**
(21) Appl. No.: **29/562,082**

D350,566 S * 9/1994 Pearson D20/40
D356,352 S * 3/1995 Johnson D19/34.1
D408,677 S * 4/1999 Parnham D6/601
6,928,677 B1 * 8/2005 Pittman A47G 9/10
5/636
D532,209 S * 11/2006 Rodis D6/335
D568,403 S * 5/2008 Hearsey D19/90
D662,329 S * 6/2012 Arko D6/332
D731,817 S * 6/2015 Rogers D6/601
D758,098 S * 6/2016 Pham D6/601
D763,601 S * 8/2016 Hill D6/601
D781,429 S * 3/2017 Westdyk D24/183

* cited by examiner

(22) Filed: **Apr. 22, 2016**
(51) **LOC (10) Cl.** **06-09**
(52) **U.S. Cl.**
USPC **D6/601**
(58) **Field of Classification Search**
USPC D6/582-583, 587-592, 595-609,
D6/617-622; D21/803-809; D24/183;
D20/40, 43
CPC A47G 9/00; A47G 2009/001; A47G
2009/002; A47G 2009/003; A47G 9/10;
A47G 9/1009; A47G 2009/1018; A47G
9/1045; A47G 9/1081; A47G 9/109
See application file for complete search history.

Primary Examiner — Mary Ann Calabrese
Assistant Examiner — Jennifer L Rempfer

(57) **CLAIM**

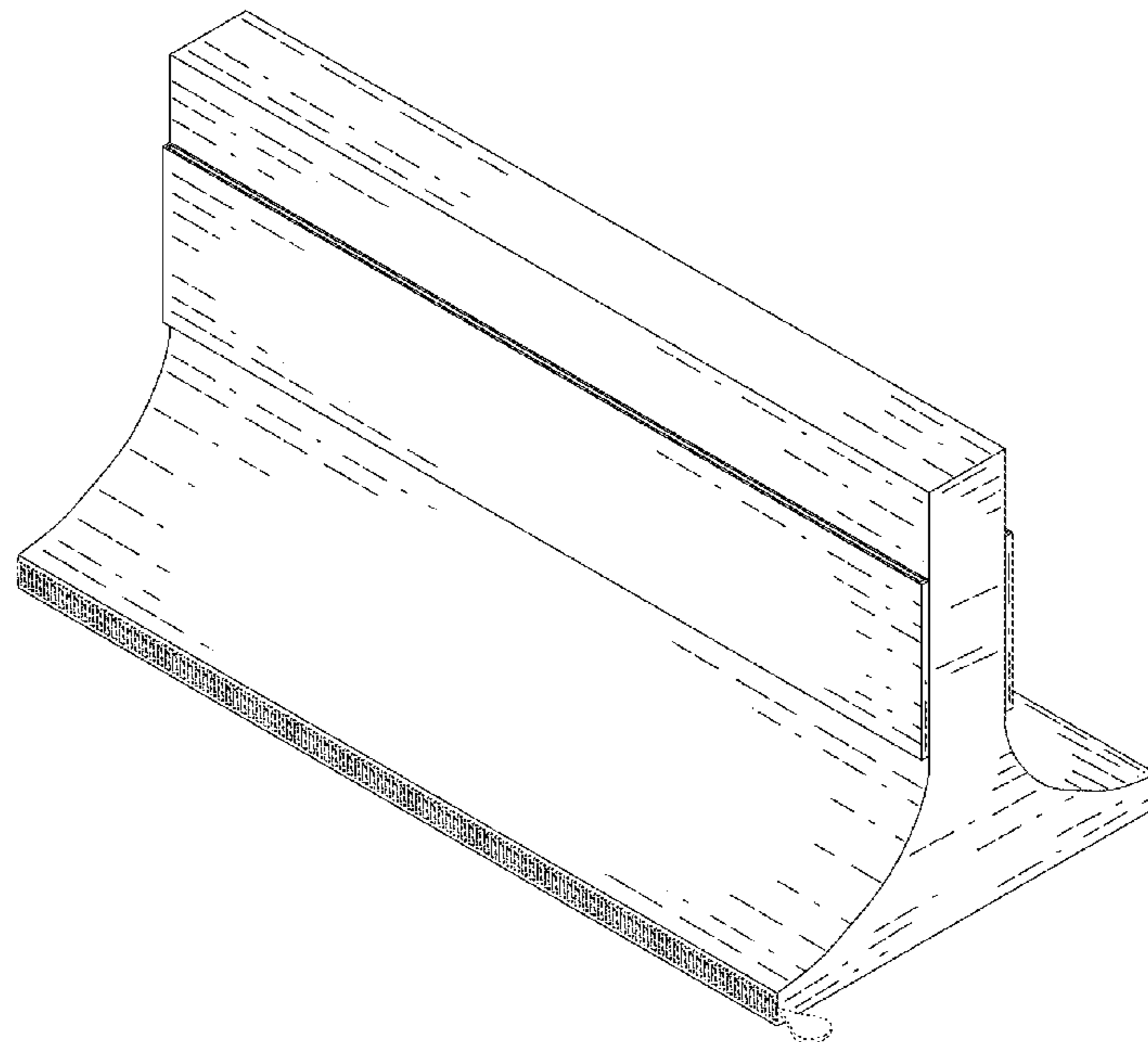
The ornamental design for a pillow wall, as shown and described.

DESCRIPTION

FIG. 1 is a perspective view of a pillow wall;
FIG. 2 is a front elevational view thereof;
FIG. 3 is a rear elevational view thereof;
FIG. 4 is a left-side elevational view thereof;
FIG. 5 is a right-side elevational view thereof;
FIG. 6 is a top plan view thereof; and,
FIG. 7 is a bottom plan view thereof.
The broken line showing of a zipper and a zipper pull in FIGS. 1-7 is included for the purpose of showing environmental structure and forms no part of the claimed design.

(56) **References Cited**
U.S. PATENT DOCUMENTS
D203,251 S * 12/1965 Barber 5/636
3,477,404 A * 11/1969 Robinson G09F 11/23
116/308
D259,381 S * 6/1981 Smith D6/601
4,635,306 A * 1/1987 Willey A47C 3/16
5/632
D340,380 S * 10/1993 McDonald D6/601

1 Claim, 7 Drawing Sheets



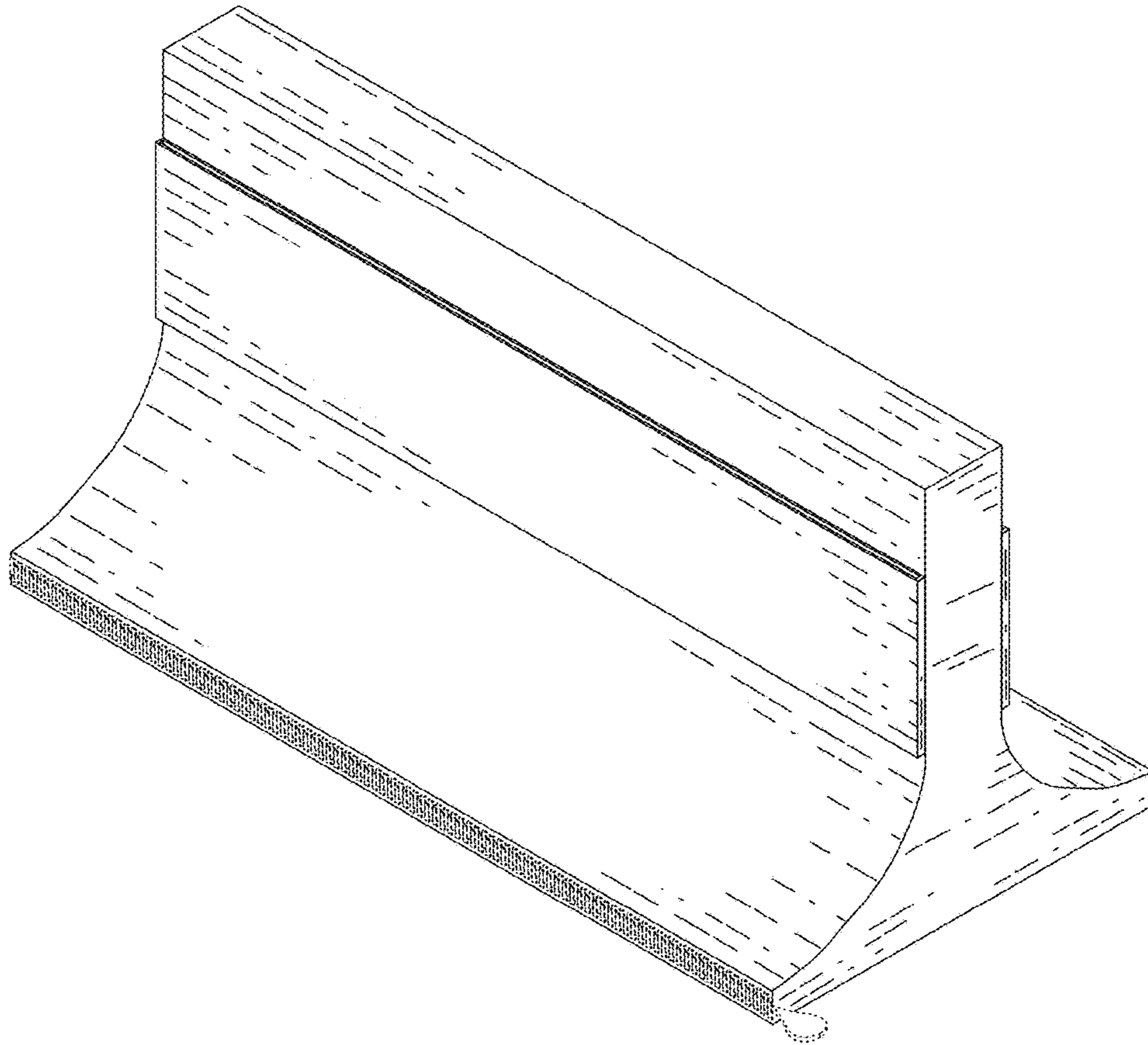


FIG. 1

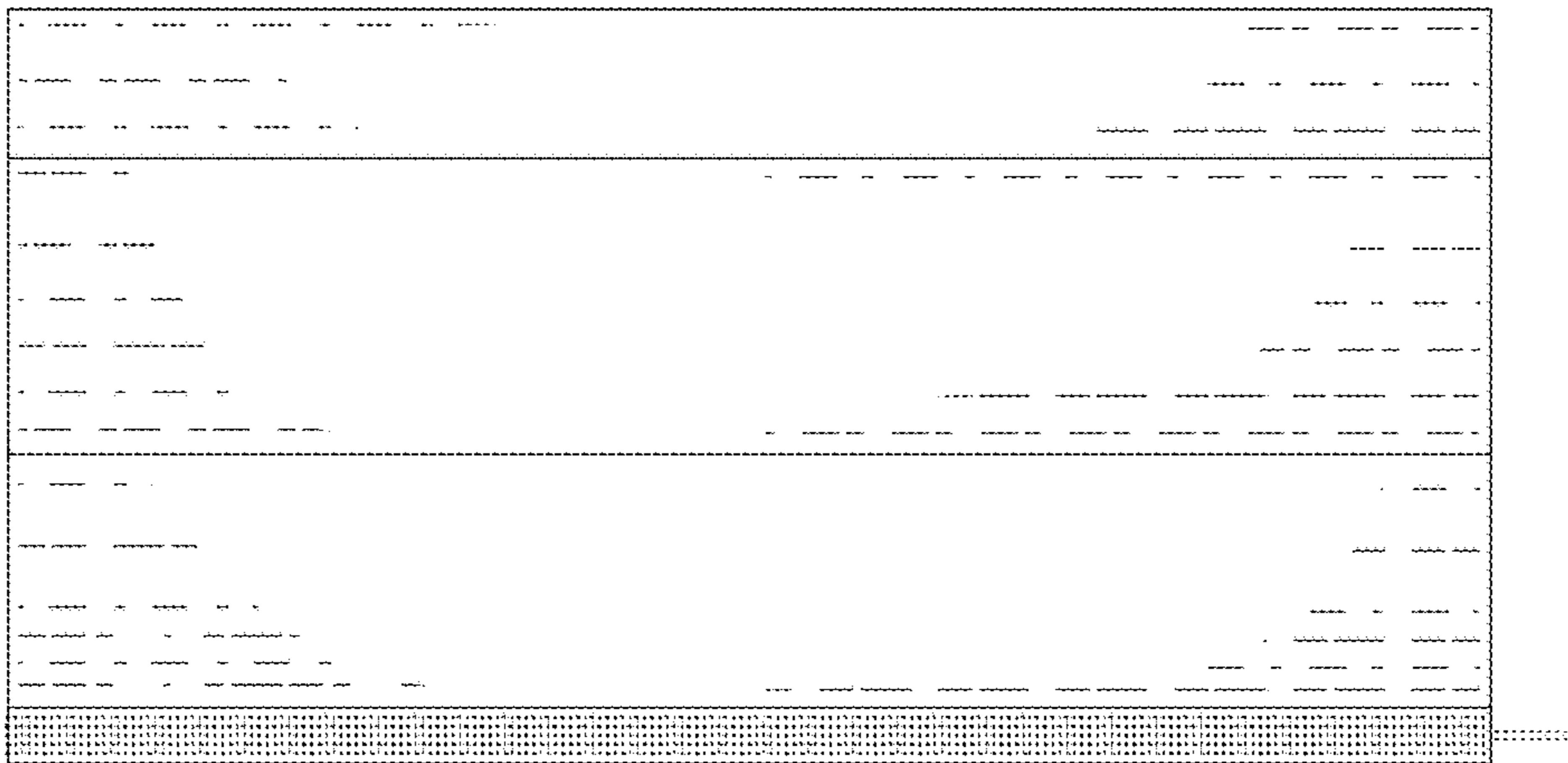


FIG. 2

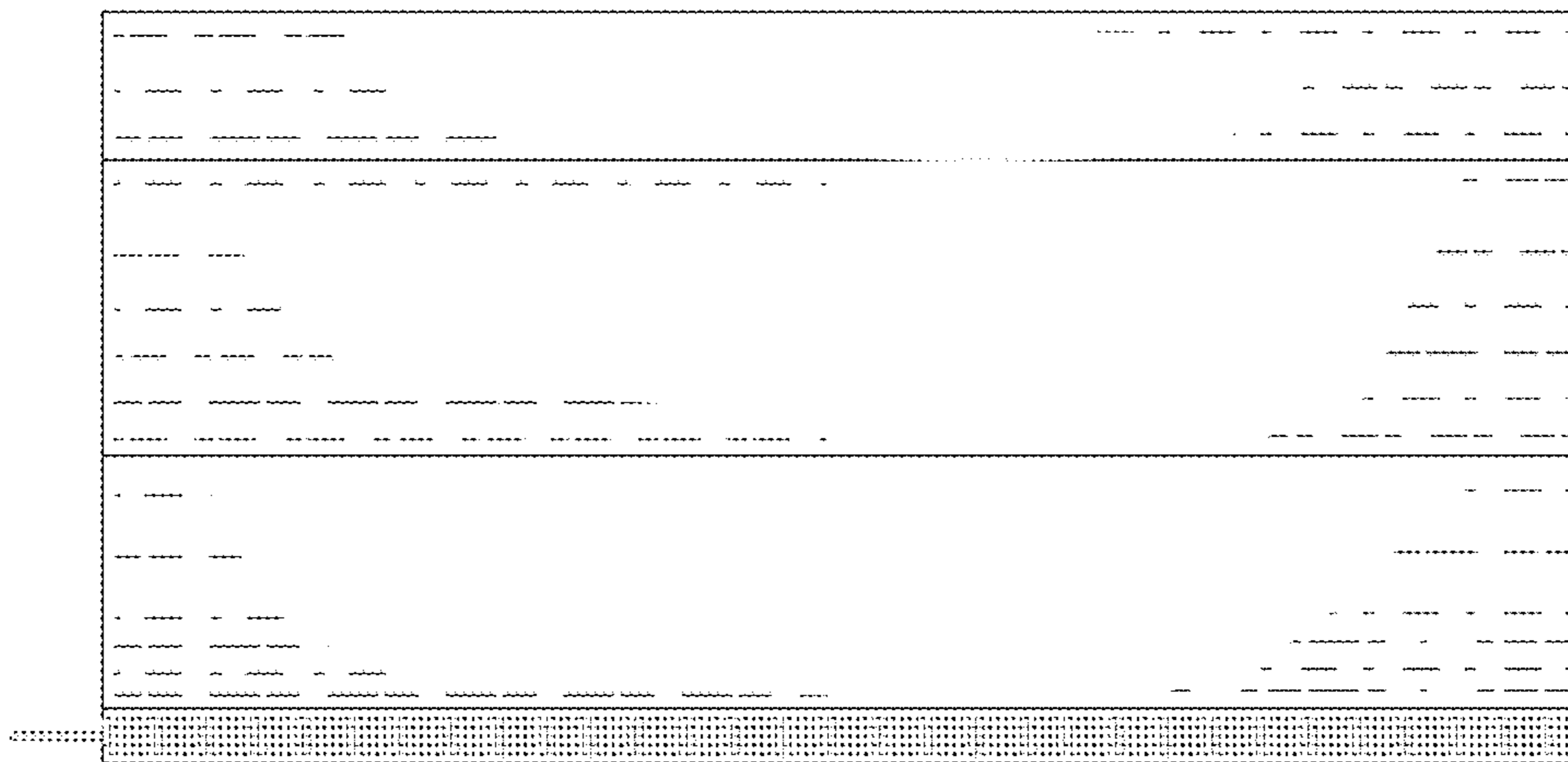


FIG. 3

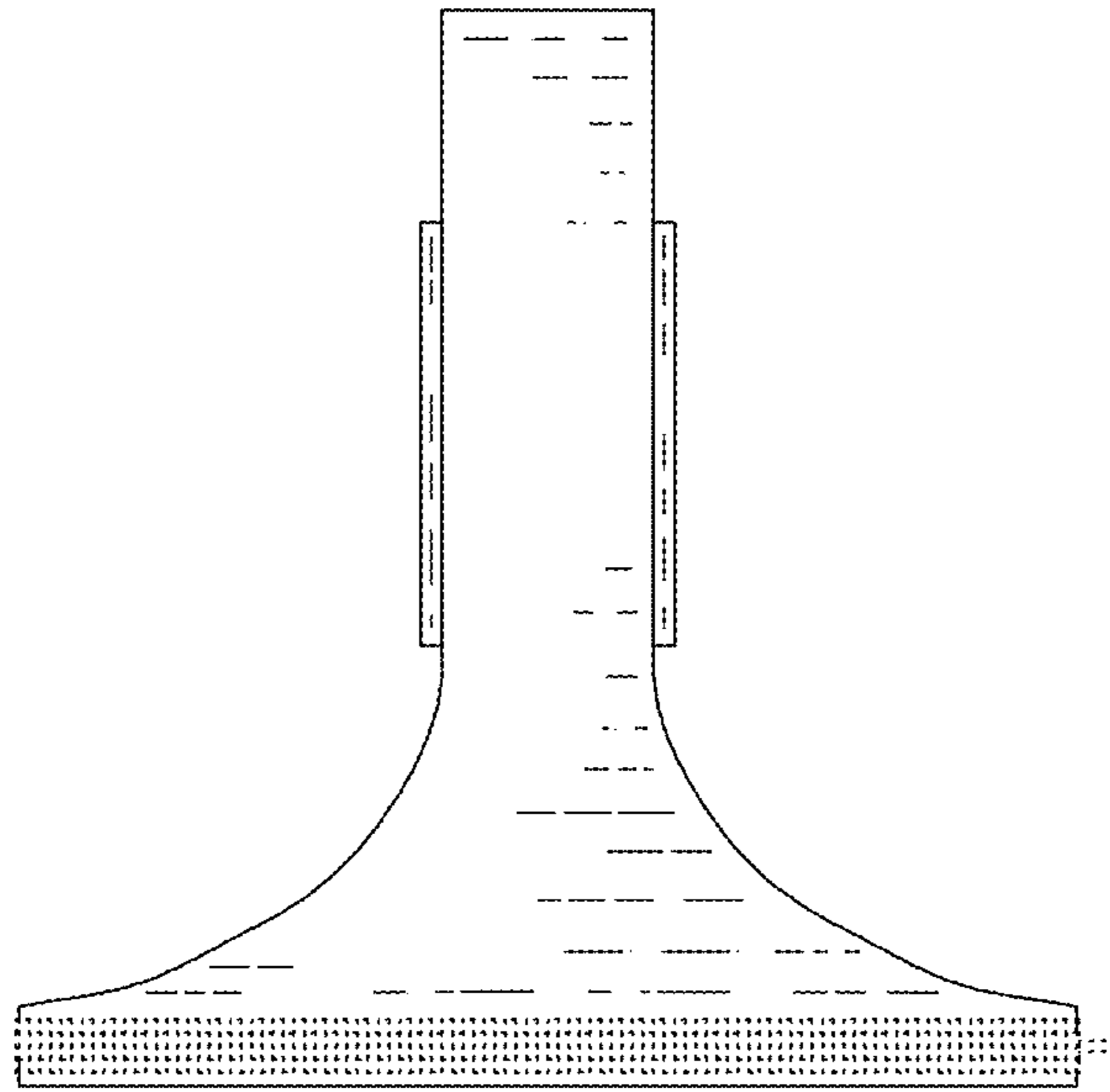


FIG. 4

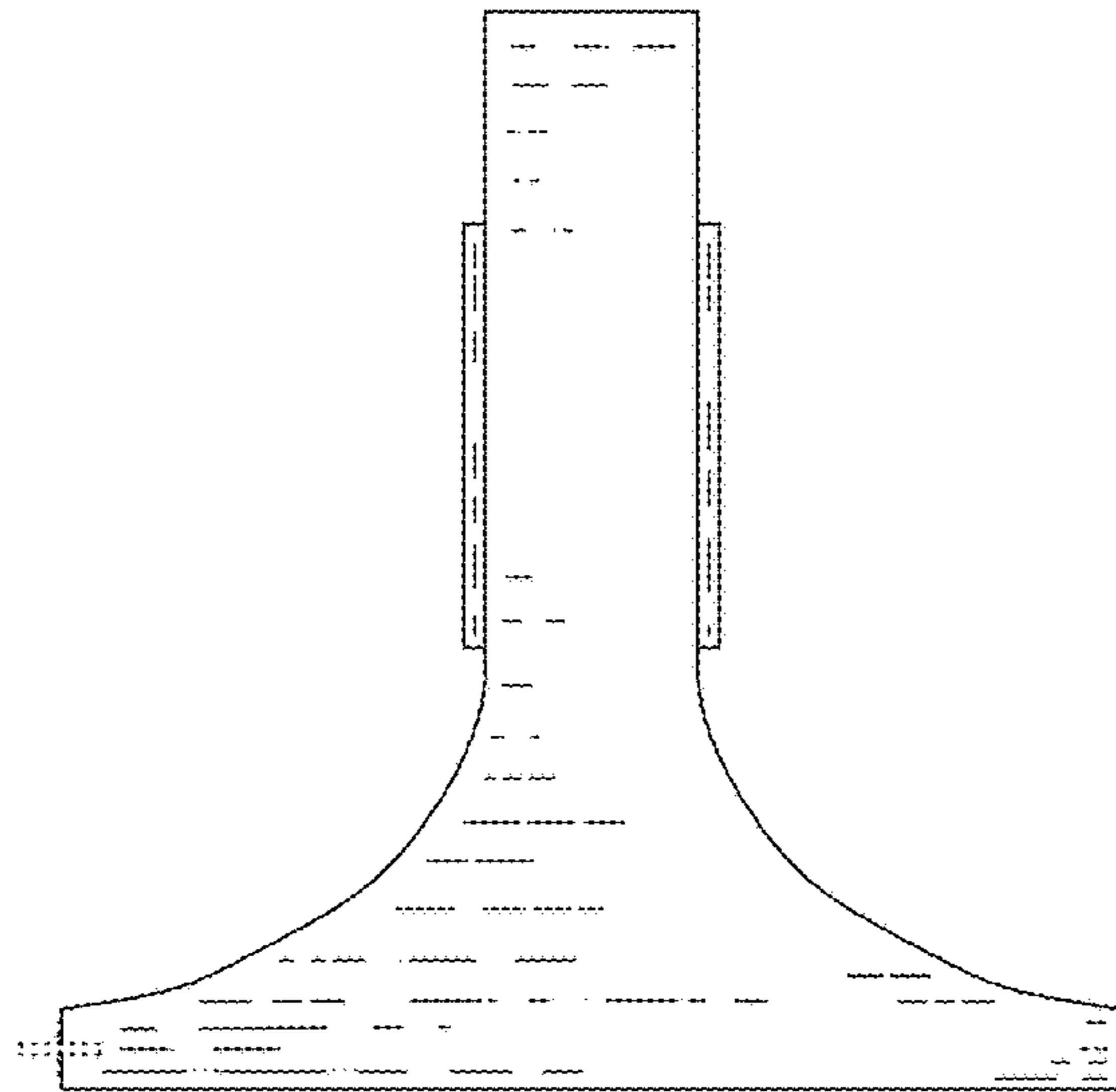


FIG. 5

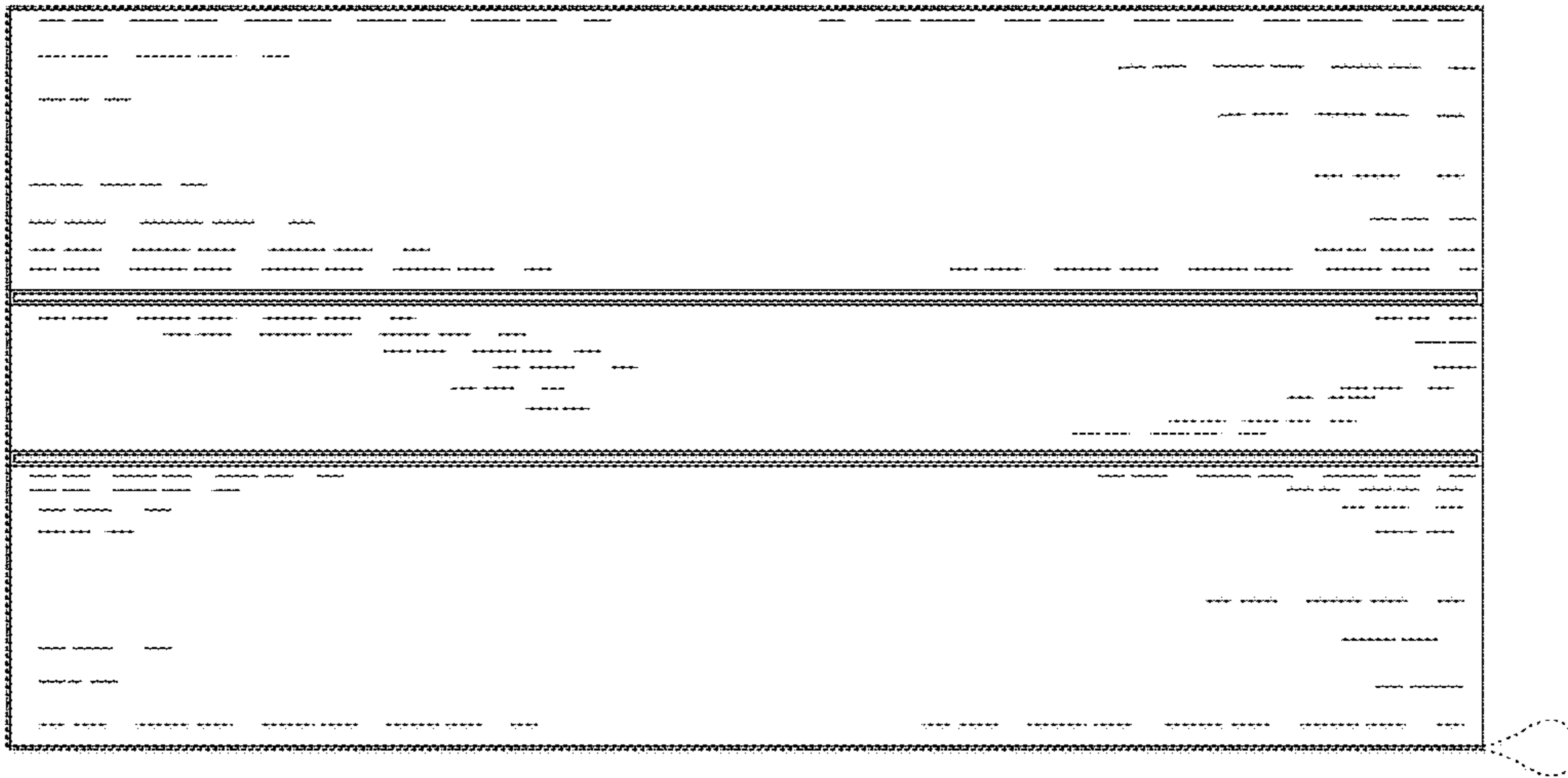


FIG. 6

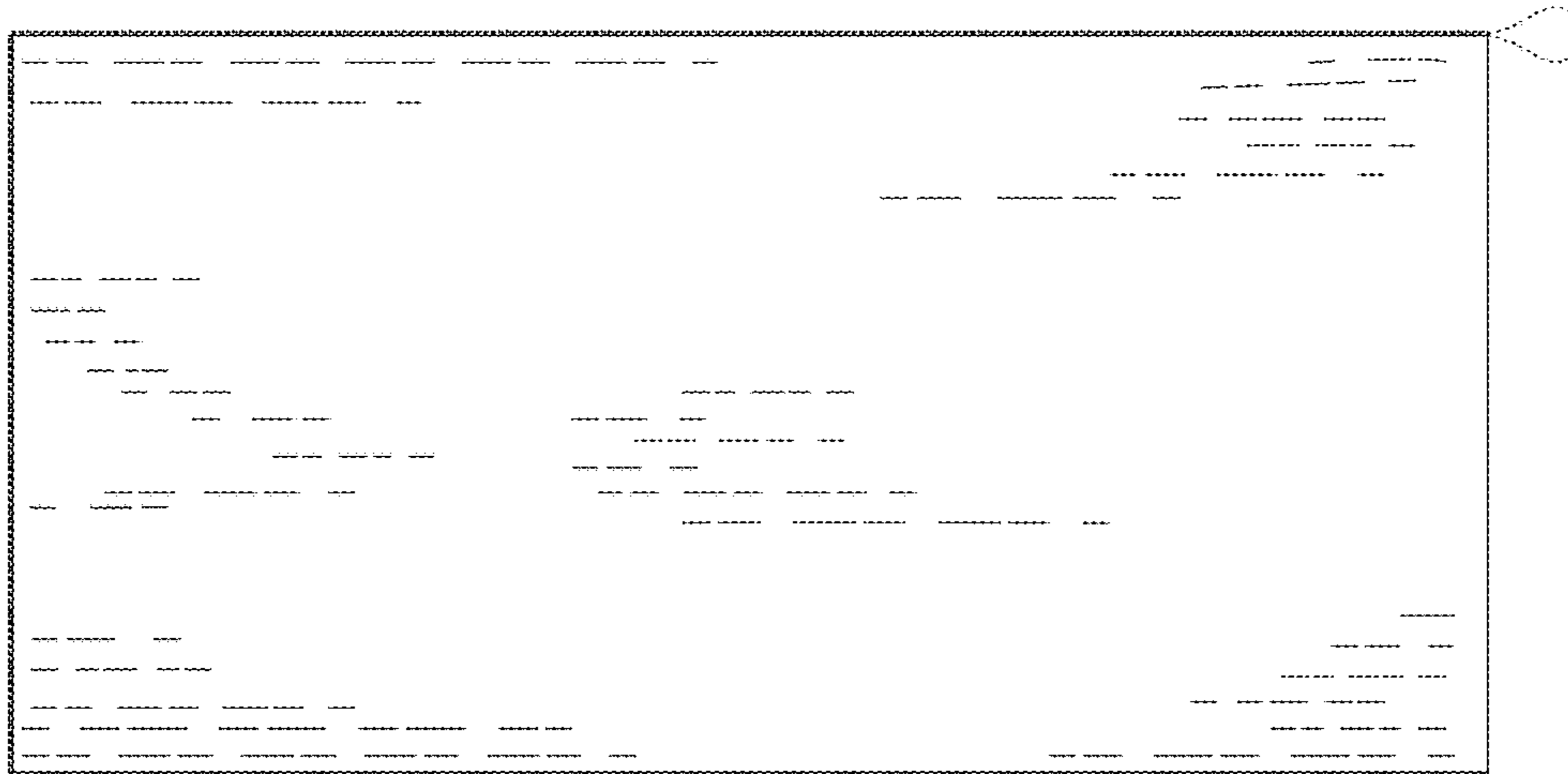


FIG. 7