

US00D793123S

(12) **United States Design Patent** (10) **Patent No.:** **US D793,123 S**  
**Zanki et al.** (45) **Date of Patent:** **\*\* Aug. 1, 2017**

(54) **SUPPORT APPARATUS**  
(71) Applicants: **Logan Zanki**, North Plainfield, NJ (US); **Kathleen Zanki**, North Plainfield, NJ (US)  
(72) Inventors: **Logan Zanki**, North Plainfield, NJ (US); **Kathleen Zanki**, North Plainfield, NJ (US)  
(\*\*) Term: **15 Years**

3,378,862 A 4/1968 Skinner  
3,988,793 A 11/1976 Abitbol  
4,021,872 A 5/1977 Powell  
4,051,566 A 10/1977 Esquivel  
4,054,960 A 10/1977 Pettit et al.  
D263,190 S \* 3/1982 Herr ..... 5/636  
4,489,452 A 12/1984 Lickert  
4,508,384 A 4/1985 Castelot et al.  
D285,512 S \* 9/1986 Bool ..... D6/596  
4,819,287 A 4/1989 Halverson  
4,944,059 A 7/1990 Wall  
D311,838 S 11/1990 Dillon  
5,029,349 A 7/1991 Hamilton

(Continued)

(21) Appl. No.: **29/548,298**

(22) Filed: **Dec. 11, 2015**

(51) **LOC (10) Cl.** ..... **06-09**

(52) **U.S. Cl.**  
USPC ..... **D6/601**

(58) **Field of Classification Search**  
USPC ..... D6/333, 349, 355, 375, 388, 512, 563, D6/564, 595, 596, 601, 604, 611, 707, D6/715, 716, 716.1; D24/183-185, 234; D21/803, 804, 805, 809; 5/401, 420, 5/600, 630, 631, 632, 633, 635, 636, 638, 5/639, 646, 652, 652.1, 655, 703, 730; 297/1, 2, 4, 93, 180.11, 195.1, 195.11, 297/195.13, 393, 397, 452.12, 452.14, 297/452.15, 452.21, 452.24, 452.26, 297/452.48, 452.62, 482  
CPC .. A47G 9/1036; A47G 9/1045; A47G 9/1063; A47G 9/1072; A47G 9/1081; A47G 9/109; A47C 7/021; A47C 27/00  
See application file for complete search history.

(56) **References Cited**

**U.S. PATENT DOCUMENTS**

2,089,584 A 8/1937 Pellegrini  
2,089,854 A \* 8/1937 Pellegrini ..... A47C 20/025  
5/110  
3,118,152 A 1/1964 Talley, Jr.  
3,287,747 A 11/1966 Ellsorth

**FOREIGN PATENT DOCUMENTS**

GB 2425468 11/2006  
GB 2439916 1/2008  
GB 2471467 1/2011

**OTHER PUBLICATIONS**

<http://www.thebellybed.com.au>. Accessed on Aug. 14, 2015.

(Continued)

*Primary Examiner* — Eric Goodman  
*Assistant Examiner* — Sanjeev Paul  
(74) *Attorney, Agent, or Firm* — Gearhart Law LLC

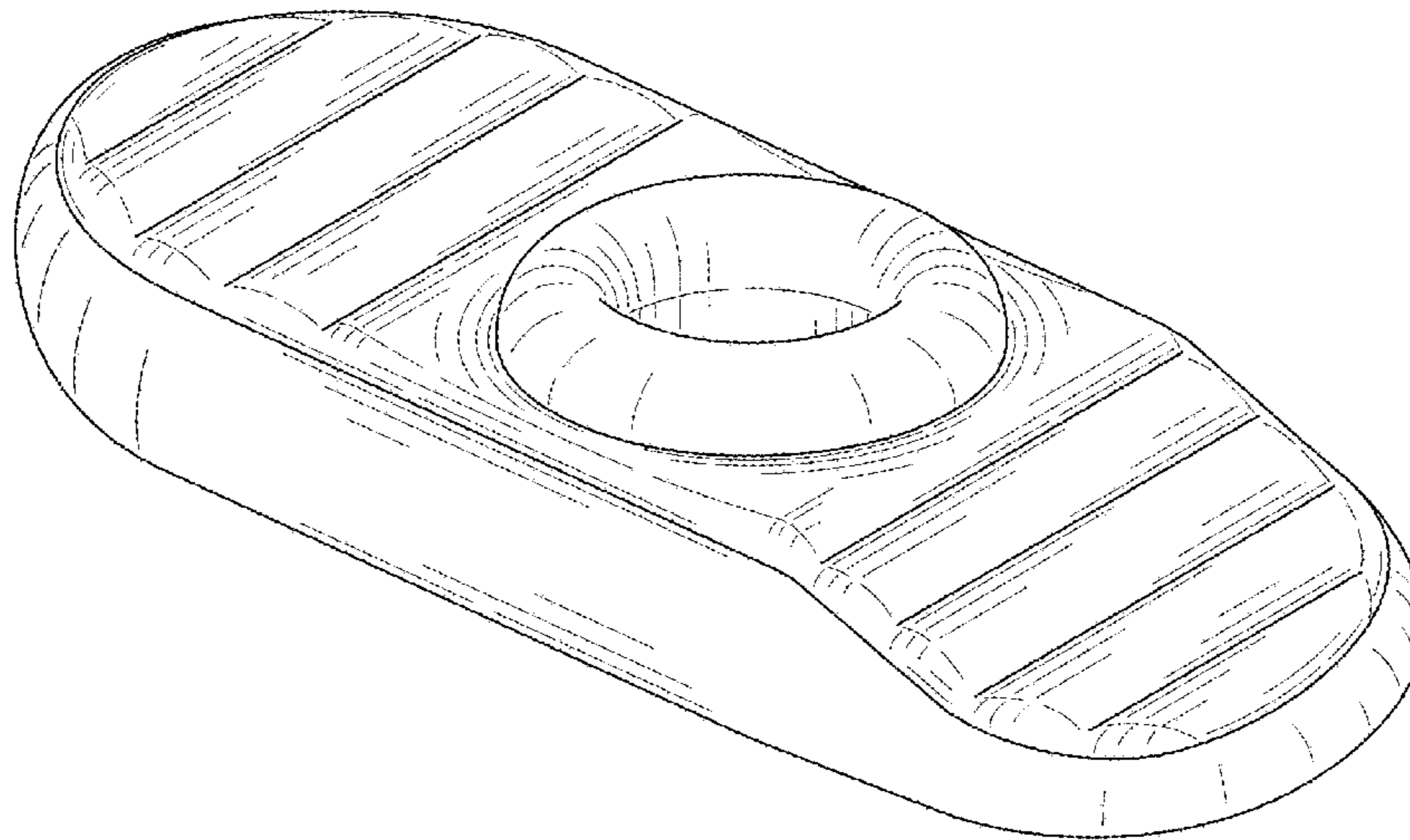
(57) **CLAIM**

The ornamental design for a support apparatus, as shown and described.

**DESCRIPTION**

FIG. 1 is a perspective view of the support apparatus.  
FIG. 2 is a back view thereof.  
FIG. 3 is a front view thereof.  
FIG. 4 is a right side view thereof.  
FIG. 5 is a left side view thereof.  
FIG. 6 is a top view thereof; and,  
FIG. 7 is a bottom view thereof.

**1 Claim, 5 Drawing Sheets**



(56)

References Cited

U.S. PATENT DOCUMENTS

5,086,529 A 2/1992 Degroot  
 5,127,119 A 7/1992 Rogers  
 5,185,897 A 2/1993 Van Laanen  
 D333,938 S 3/1993 Watson et al.  
 D334,318 S \* 3/1993 Chee ..... D6/601  
 D335,999 S 6/1993 Van Driessche  
 5,237,712 A 8/1993 Ramsay  
 D341,725 S 11/1993 Piper  
 D342,409 S \* 12/1993 Gambin ..... 5/631  
 D343,303 S 1/1994 DiGregorio  
 D350,586 S 9/1994 Francis  
 5,369,824 A 12/1994 Powell  
 5,400,449 A 3/1995 Satto  
 D357,538 S 4/1995 Sockwell  
 5,412,824 A 5/1995 Emerson et al.  
 5,425,147 A 6/1995 Supplee et al.  
 5,438,715 A 8/1995 Jackman  
 5,504,953 A 4/1996 Singer-Leyton et al.  
 5,652,981 A 8/1997 Singer-Leyton et al.  
 5,679,040 A 10/1997 Bianchi-Holm  
 D392,145 S 3/1998 Thurston  
 D396,771 S 8/1998 Iannuzzi  
 5,819,348 A 10/1998 Ryan  
 D403,194 S 12/1998 Thurston  
 5,890,246 A 4/1999 Davis  
 D411,933 S 7/1999 Bernstein  
 6,044,505 A 4/2000 Friedman  
 6,185,768 B1 2/2001 Schlechter  
 6,233,768 B1 5/2001 Harding  
 D445,505 S \* 7/2001 Shapiro ..... D24/183  
 6,295,668 B1 10/2001 Nation

6,408,470 B1 6/2002 Powers  
 6,581,229 B2 6/2003 Bernstein  
 6,823,547 B1 11/2004 Harding et al.  
 6,857,145 B1 2/2005 Sikes  
 D504,045 S \* 4/2005 Rediske ..... D6/601  
 7,065,816 B2 6/2006 McGettigan  
 7,065,817 B2 6/2006 Shield  
 7,127,764 B1 10/2006 Harding et al.  
 7,266,852 B2 9/2007 Davis  
 D576,408 S \* 9/2008 Forshpan ..... D6/333  
 D610,853 S \* 3/2010 Straub ..... D6/601  
 D610,854 S \* 3/2010 Siklosi ..... D6/611  
 D618,947 S \* 7/2010 Kalatsky ..... D6/601  
 D642,278 S \* 7/2011 Sharps ..... D24/184  
 D656,356 S \* 3/2012 Cheng ..... D6/601  
 D666,046 S \* 8/2012 Xiong ..... D6/601  
 D670,090 S \* 11/2012 Miucci ..... D6/349  
 8,303,361 B2 11/2012 Green  
 8,656,541 B2 \* 2/2014 Muollo ..... A47C 20/021  
 5/615  
 D700,786 S \* 3/2014 Yeung ..... D6/333  
 D714,072 S \* 9/2014 Nadeau ..... D6/390  
 D728,271 S \* 5/2015 Cohen ..... D6/601  
 2005/0188465 A1 9/2005 Fahey  
 2006/0096034 A1 5/2006 Tucci  
 2009/0100601 A1 4/2009 Battaglia  
 2013/0283526 A1 10/2013 Gagliardi

OTHER PUBLICATIONS

<http://www.holo-lilo.com>. Accessed on Aug. 14, 2015.  
<http://www.massagewarehouse.com/products/earthlite-pregnancy-cushion/>. Accessed on Aug. 14, 2015.

\* cited by examiner

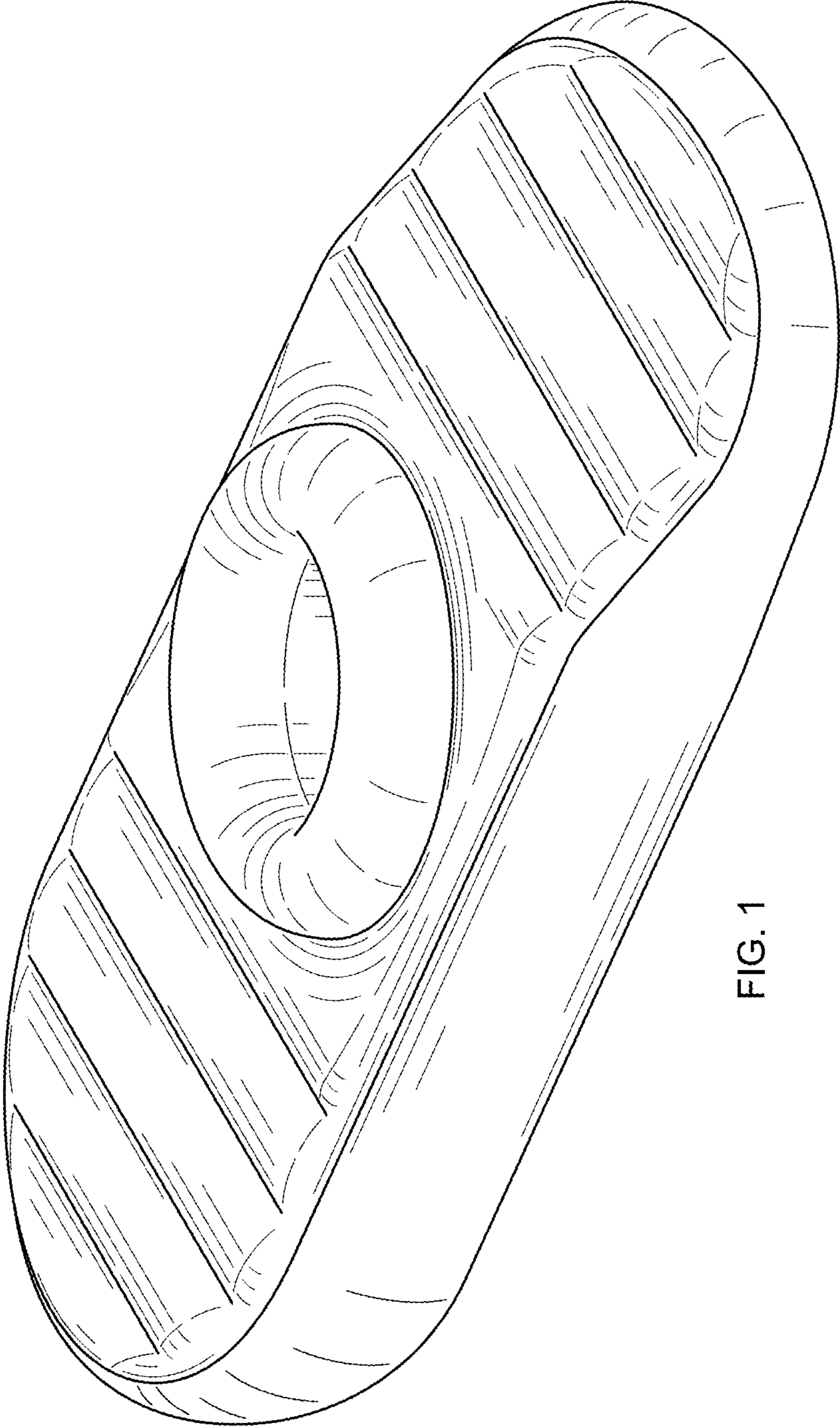


FIG. 1



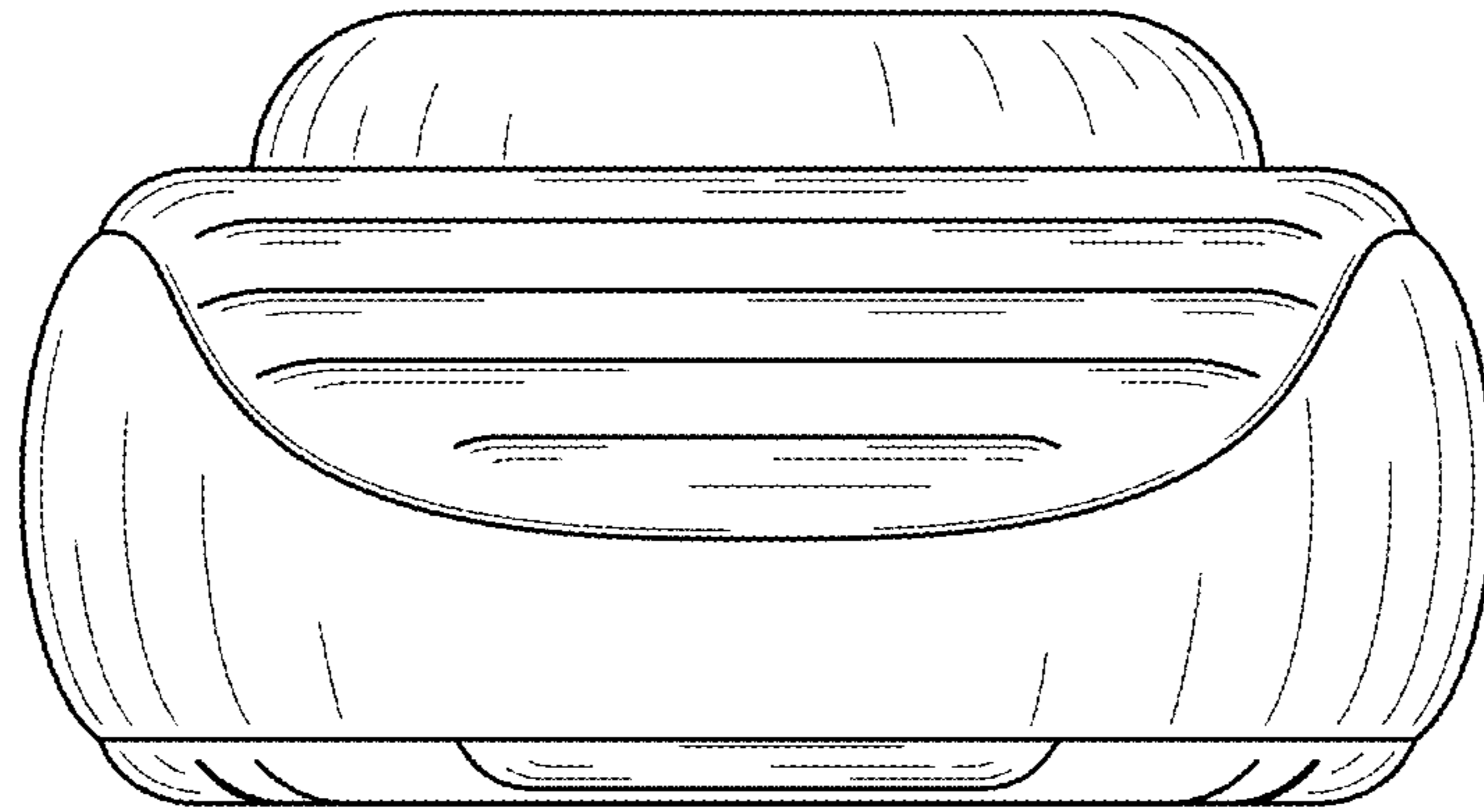


FIG. 2

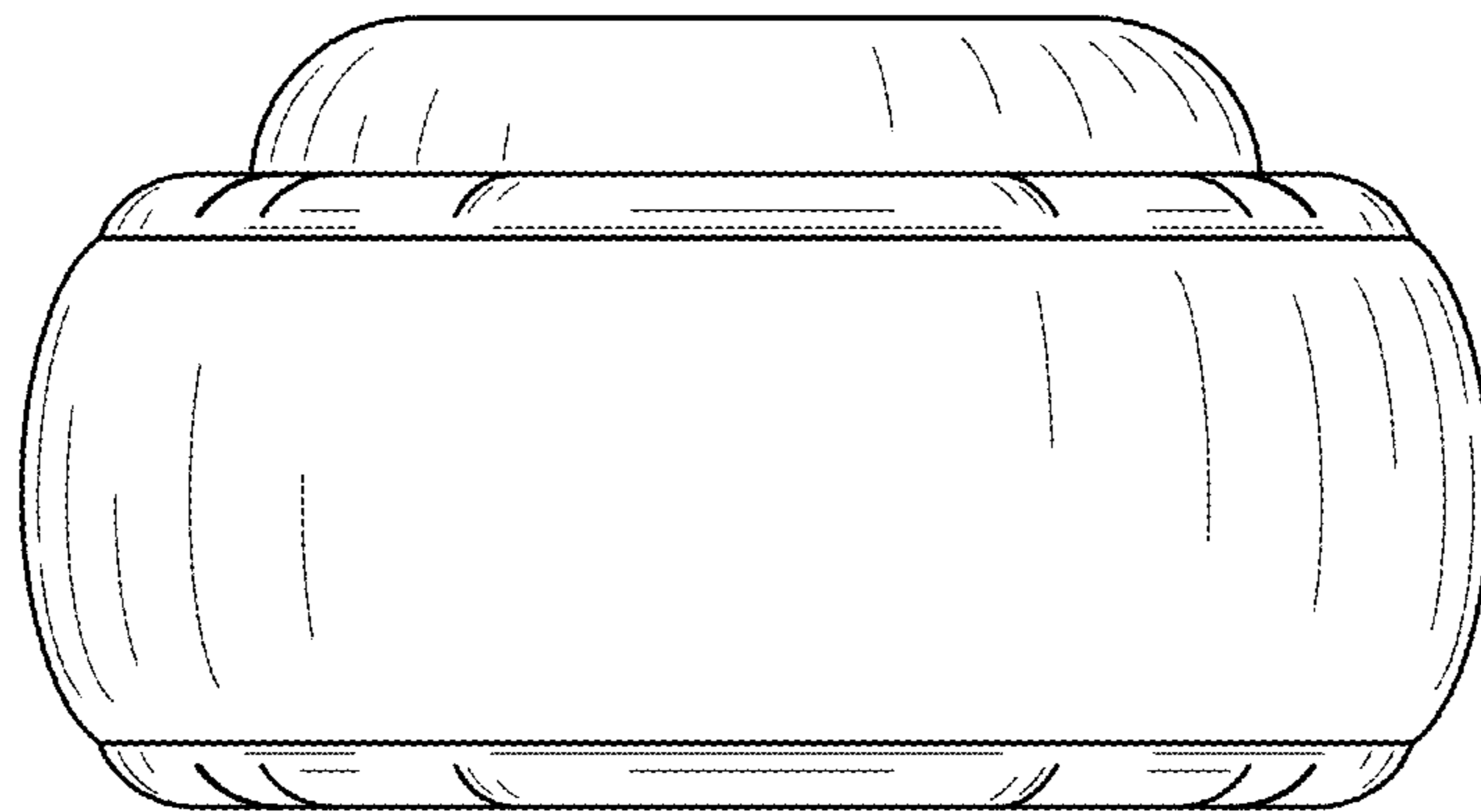


FIG. 3

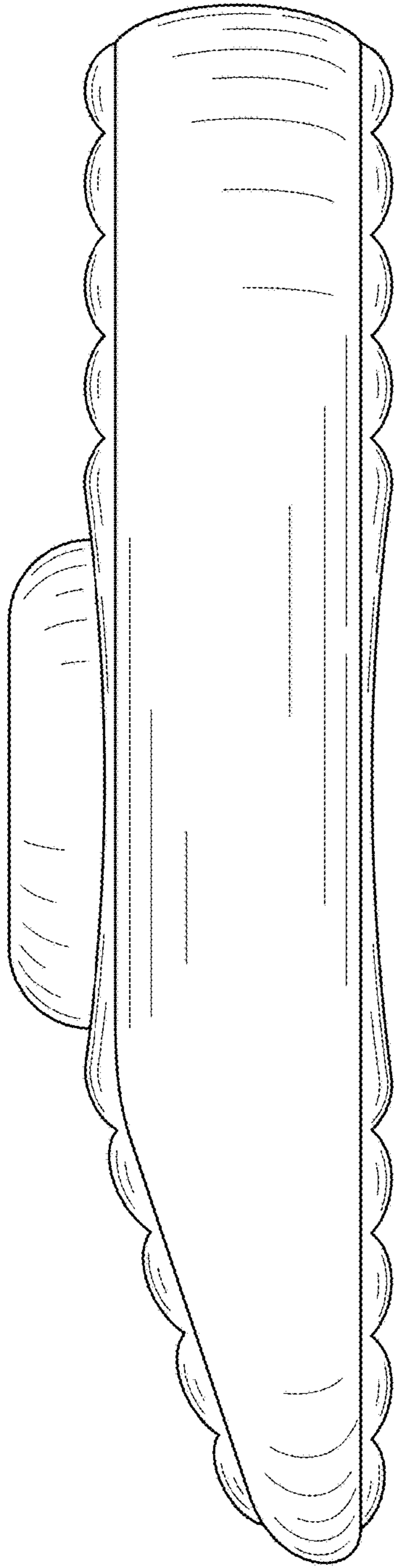


FIG. 4

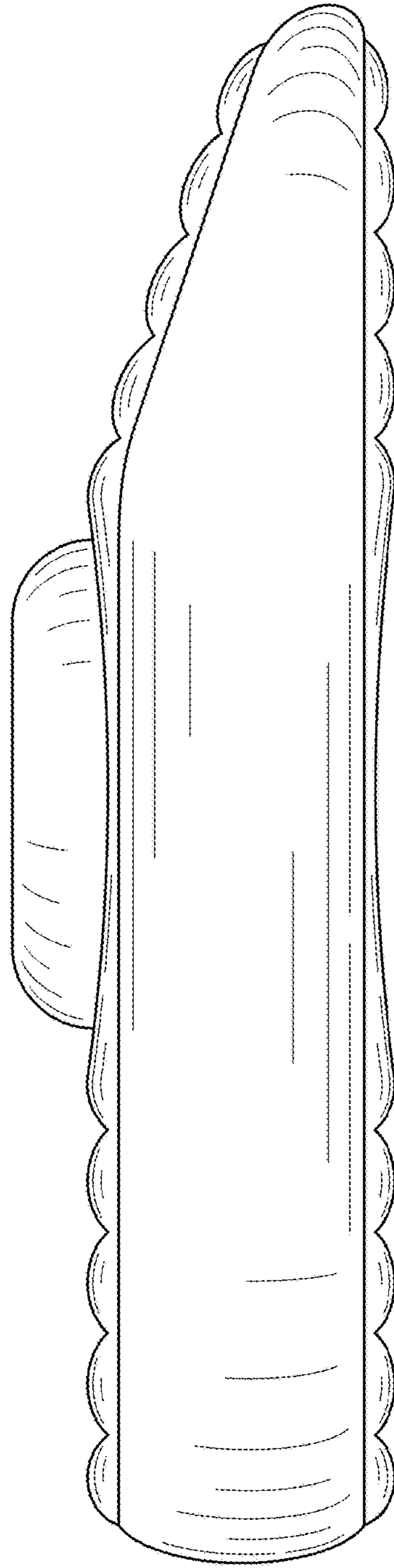


FIG. 5

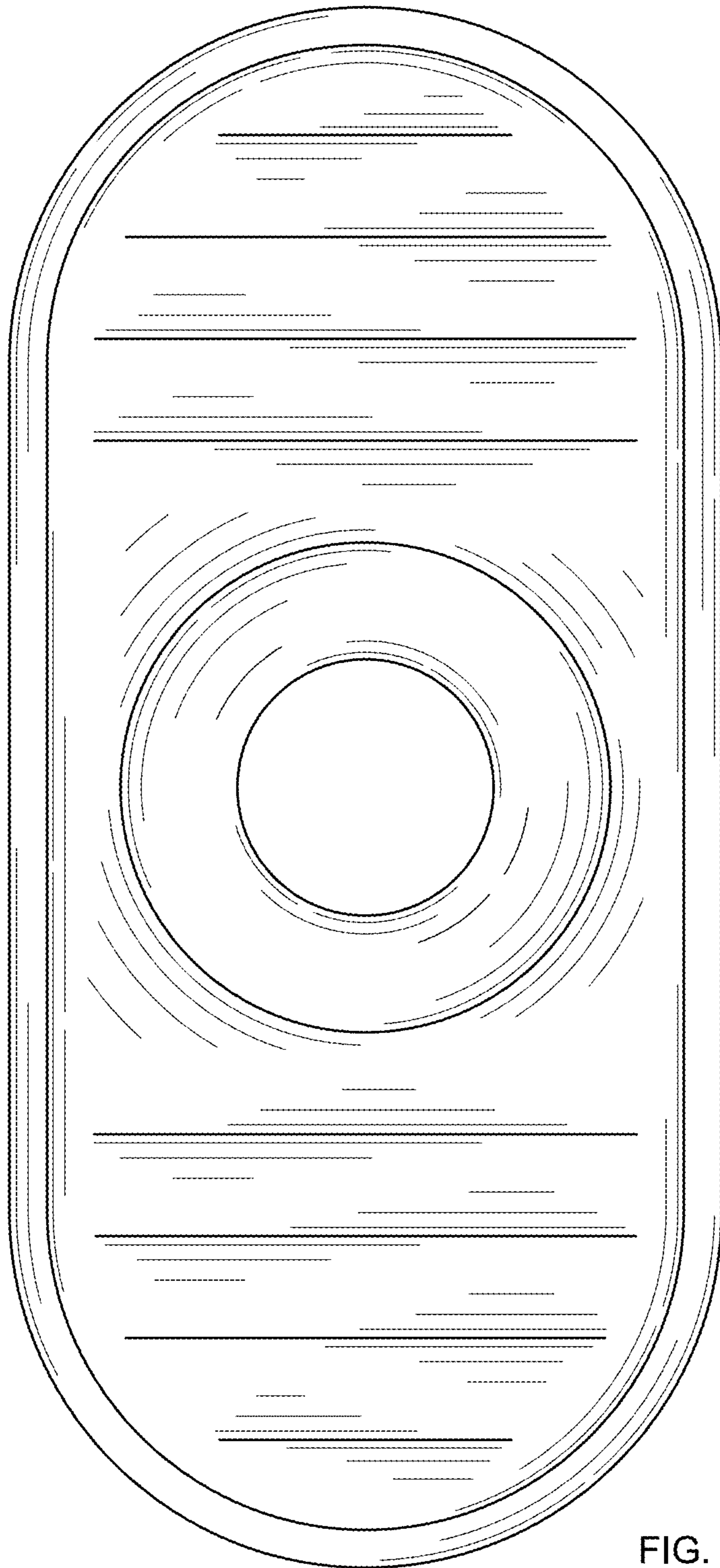


FIG. 6

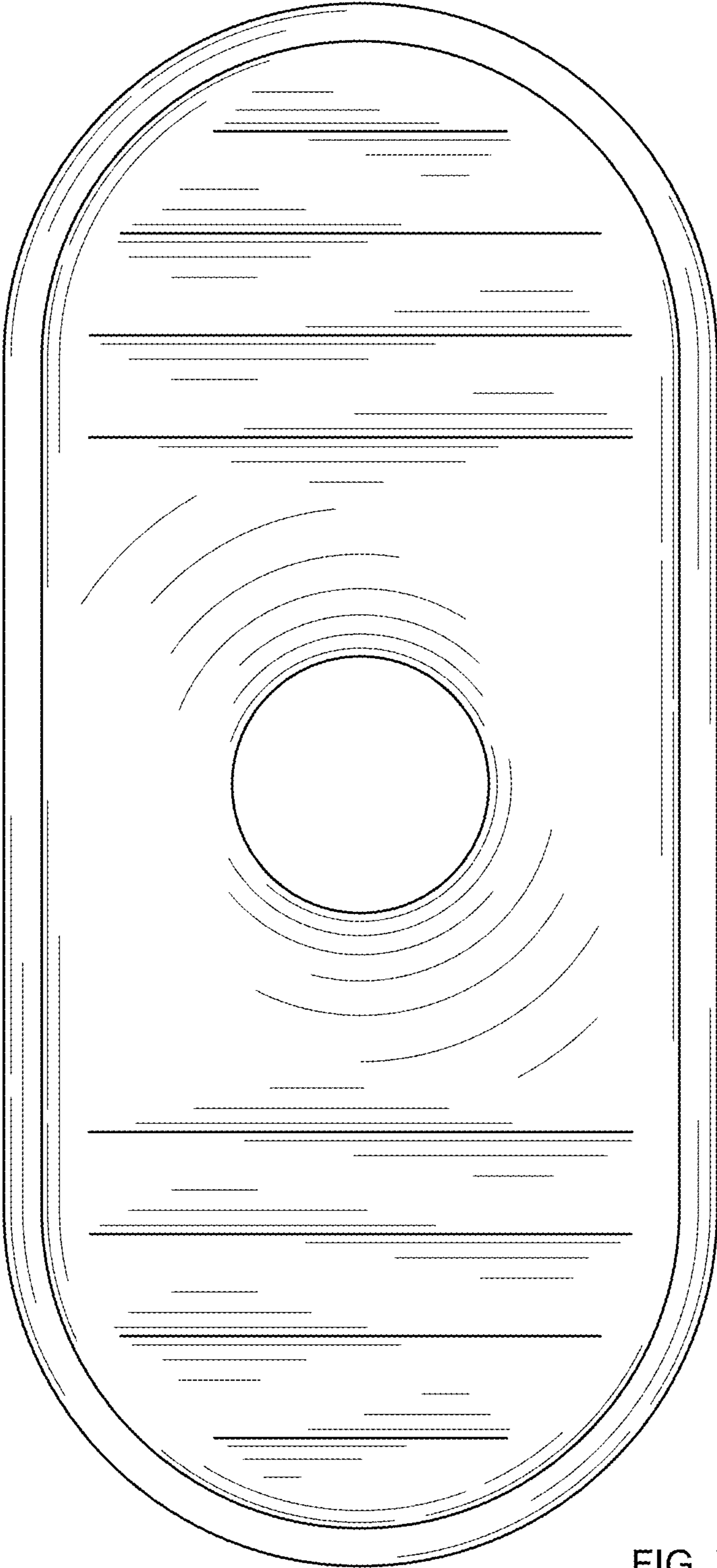


FIG. 7