



US00D793122S

(12) **United States Design Patent** (10) **Patent No.:** **US D793,122 S**
Stannius (45) **Date of Patent:** **** Aug. 1, 2017**

(54) **BATHTUB MAT**
(71) Applicant: **NP Capital GmbH**, Goppingen (DE)
(72) Inventor: **Oliver Stannius**, Munich (DE)
(73) Assignee: **NP Capital GmbH**, Goppingen (DE)
(**) Term: **15 Years**

(21) Appl. No.: **29/572,888**
(22) Filed: **Aug. 1, 2016**
(51) **LOC (10) Cl.** **06-11**
(52) **U.S. Cl.**
USPC **D6/583**
(58) **Field of Classification Search**
USPC ... D5/28, 37, 39, 43, 55, 57, 58, 60, 63, 65;
D6/582-593, 596-598, 608, 609, 613,
D6/614, 616, 617, 618, 697, 707, 707.22;
D8/374; D21/480, 662, 671, 686, 792;
D25/105, 138, 157; D30/118, 161;
D32/57; D7/388, 389; D12/203;
D19/10; D24/183, 184
CPC A47G 27/0206; A47G 27/0212; A47G
27/0218; A47G 27/0225; A47G 27/0237;
A47G 27/0293; A47K 7/026; A47L
23/26; A47L 23/266; A63B 6/00; A63B
21/4037
See application file for complete search history.

(56) **References Cited**

U.S. PATENT DOCUMENTS

D235,413 S * 6/1975 Murphy D6/583
D291,586 S * 8/1987 Bourret D21/686
D358,734 S * 5/1995 Paskwietz D6/582
D365,619 S * 12/1995 Foster D21/792
D372,940 S * 8/1996 Ryan D21/369
D561,270 S * 2/2008 O'Connor D21/369
D591,995 S * 5/2009 Burton D21/698
D644,865 S * 9/2011 Trout D6/582

D728,971 S * 5/2015 Harris D6/603
D730,587 S * 5/2015 Pellerin D30/118
2002/0045021 A1* 4/2002 Brown A47L 23/266
428/47
2012/0233772 A1* 9/2012 Wang A47G 27/0237
5/417
2015/0107022 A1* 4/2015 Al Yazdi A47G 27/0237
5/417

* cited by examiner

Primary Examiner — Celia Murphy
Assistant Examiner — Clare Ann Gannon
(74) *Attorney, Agent, or Firm* — John H. Thomas, P.C.

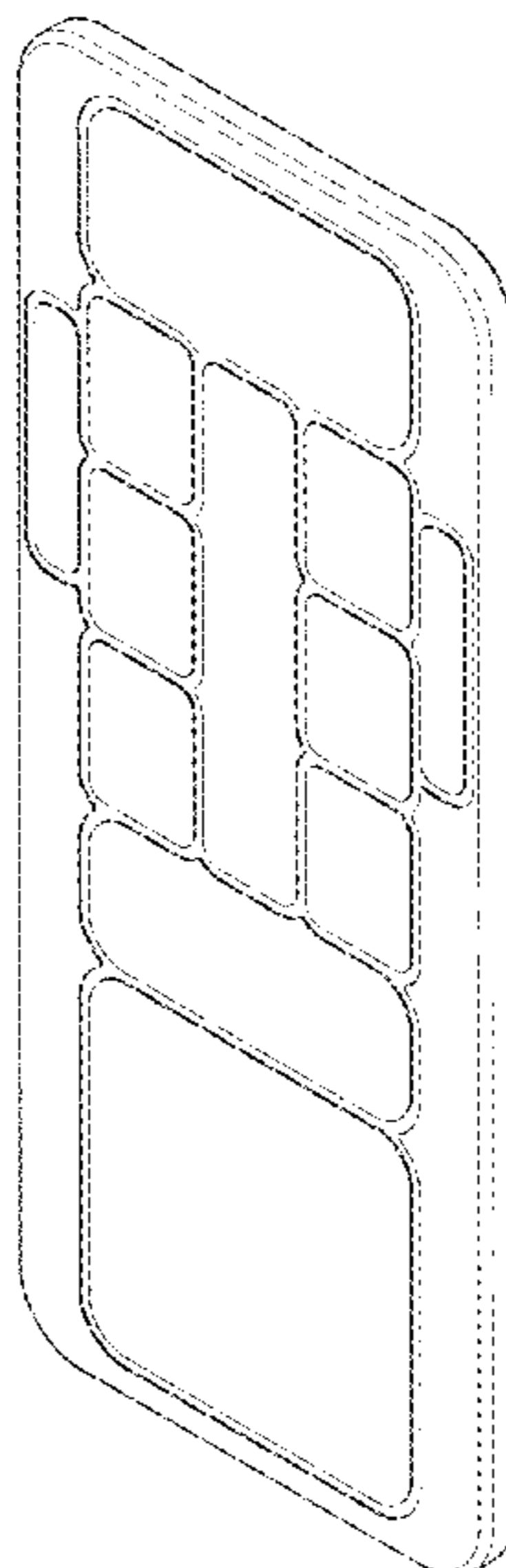
(57) **CLAIM**

The ornamental design for a bathtub mat, as shown and described.

DESCRIPTION

FIG. 1 is a perspective view of a bathtub mat according to the design herein.
FIG. 2 is a top view of the bathtub mat shown in FIG. 1.
FIG. 3 is a right side view of the bathtub mat shown in FIG. 1.
FIG. 4 is a left side view of the bathtub mat shown in FIG. 1.
FIG. 5 is a front side view of the bathtub mat shown in FIG. 1.
FIG. 6 is a rear view of the bathtub mat shown in FIG. 1.
FIG. 7 is a bottom view of the bathtub mat shown in FIG. 1.
FIG. 8 is another perspective view of an example of the bathtub mat shown in FIG. 1; and,
FIG. 9 is a further perspective view of another example of the bathtub mat shown in FIG. 1.
The broken lines that are included in the figures of the drawings denote aspects of the bathtub mat that form no part of the claimed design.

1 Claim, 9 Drawing Sheets



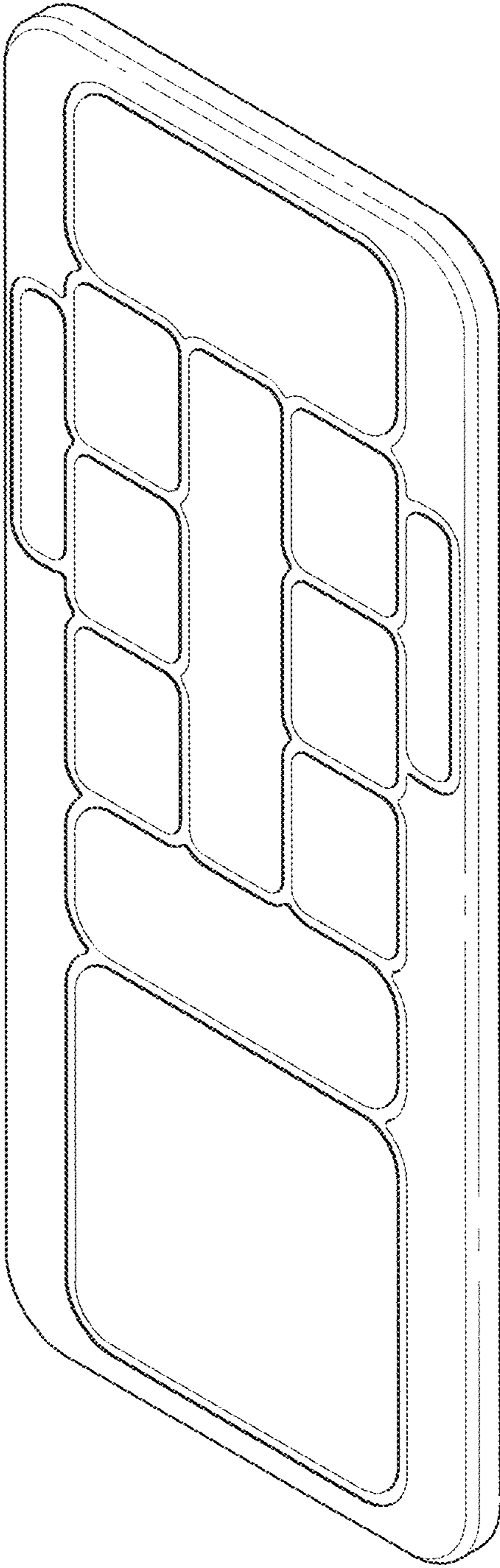


Fig. 1

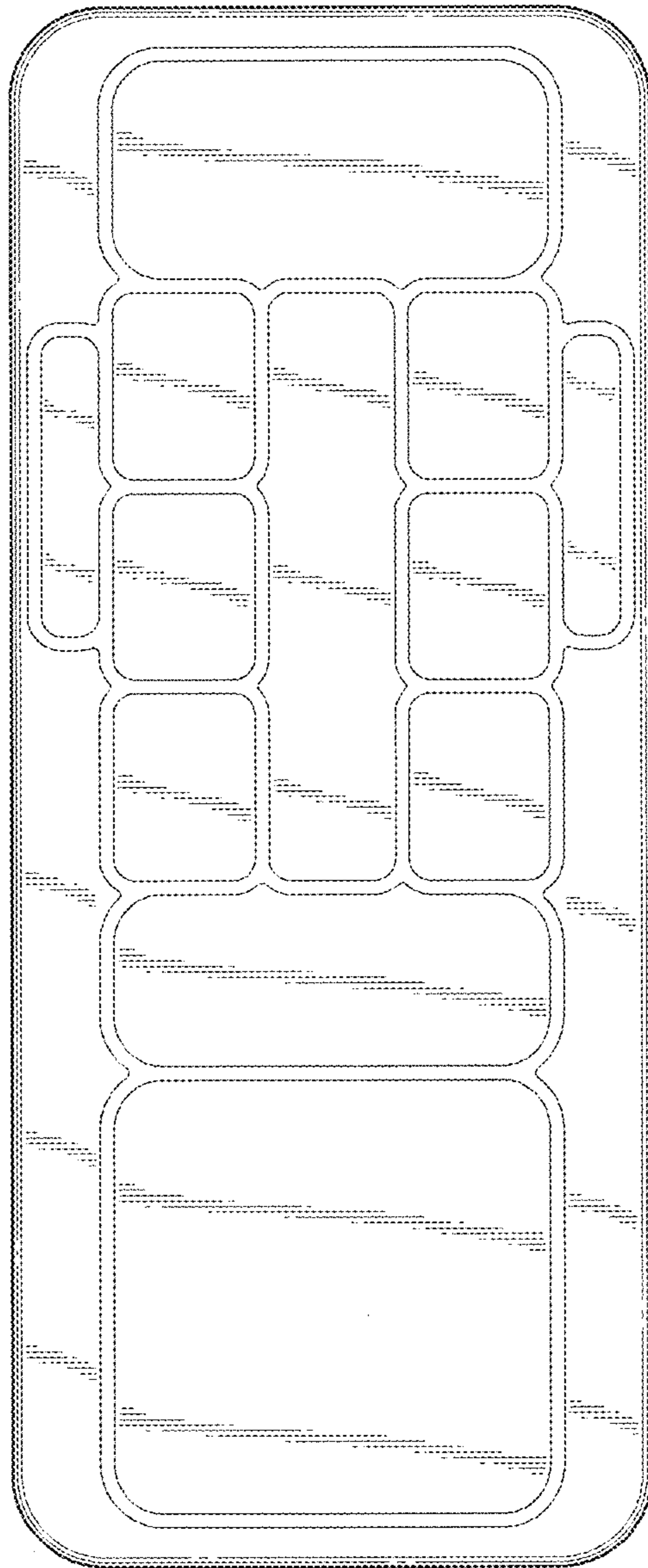


Fig. 2



Fig. 3

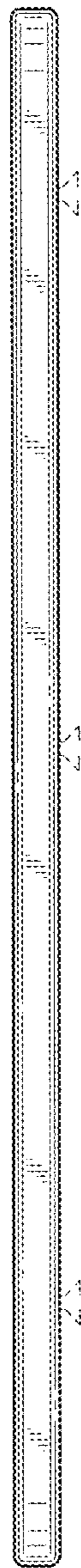


Fig. 4

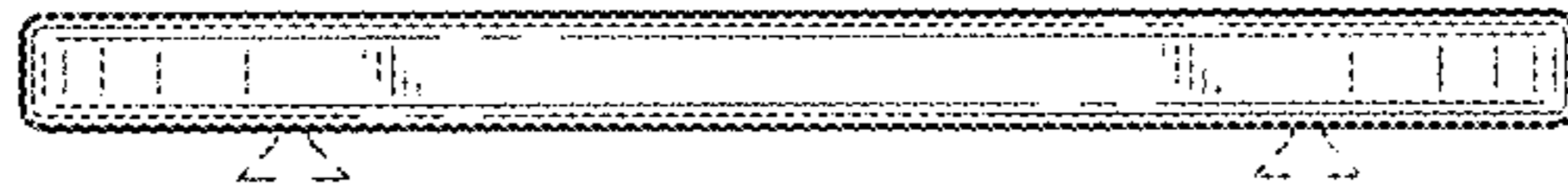


Fig. 5



Fig. 6

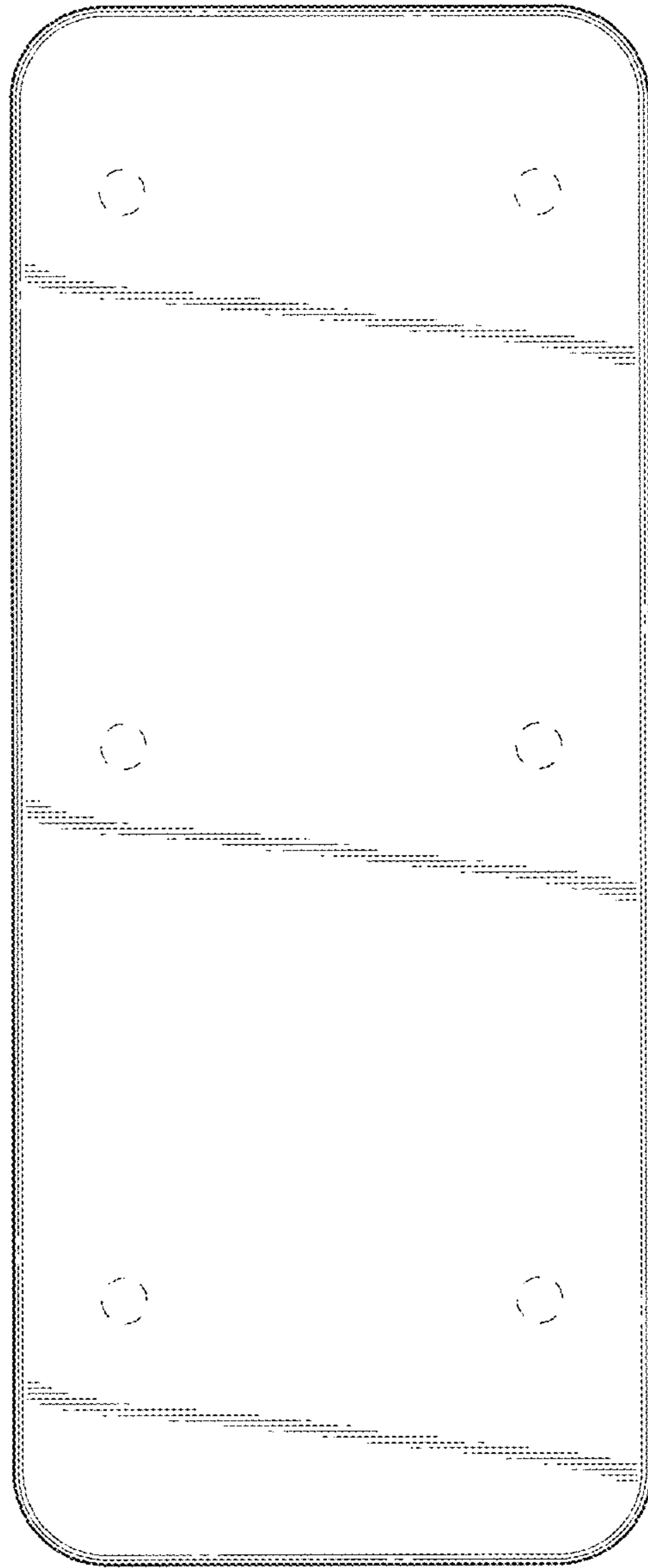


Fig. 7

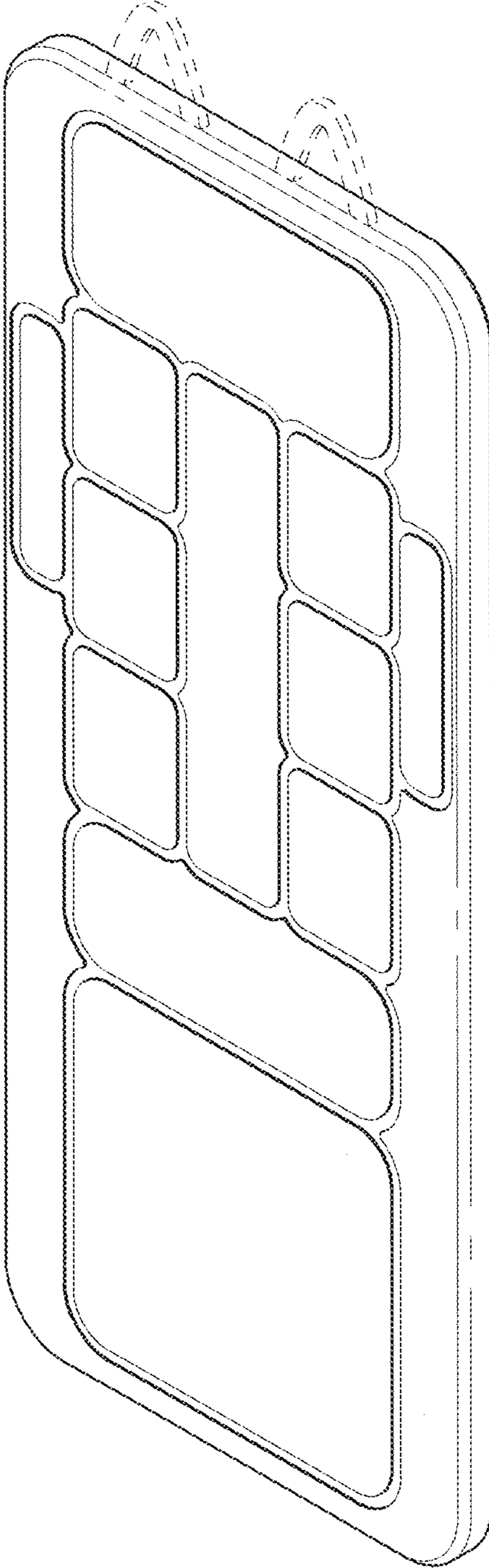


Fig. 8

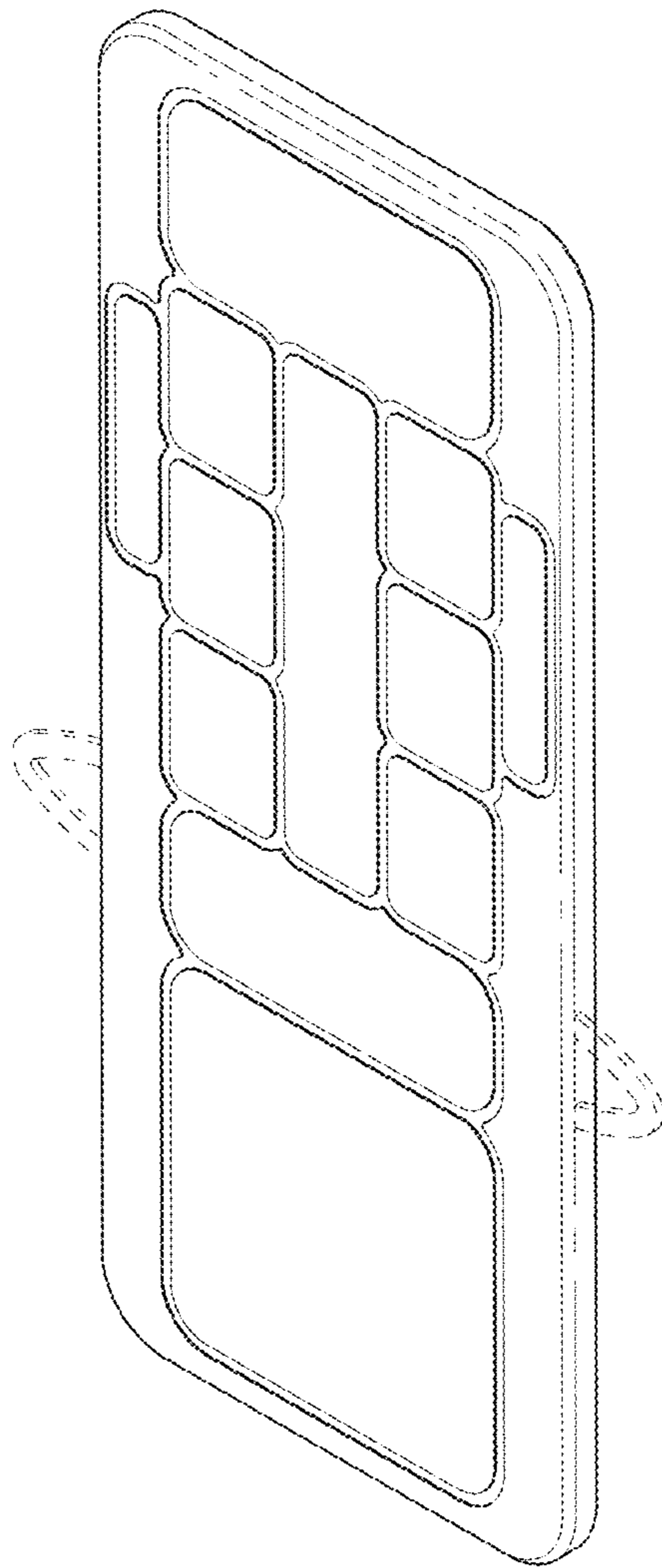


Fig. 9