



US00D793121S

(12) **United States Design Patent**
Aliwalas

(10) **Patent No.:** **US D793,121 S**
(45) **Date of Patent:** **** Aug. 1, 2017**

(54) **WALL MOUNTED AUDIO VIDEO CONSOLE**

(71) Applicant: **Eugene Edward Aliwalas, Delta (CA)**

(72) Inventor: **Eugene Edward Aliwalas, Delta (CA)**

(73) Assignee: **Prepac Manufacturing Ltd., Delta (CA)**

(**) Term: **15 Years**

(21) Appl. No.: **29/552,181**

(22) Filed: **Jan. 20, 2016**

(51) **LOC (10) Cl.** **06-06**

(52) **U.S. Cl.**
USPC **D6/553**

(58) **Field of Classification Search**

USPC D6/533, 512, 515, 555, 567, 569, 570,
D6/571, 652, 656.1, 675; 211/13.1, 50,
211/59.4, 87.01, 88.02, 126.1, 126.6,
211/126.7, 126.12–126.16, 134, 135, 178,
211/188, 149, 150, 153; 221/22, 33, 45,
221/92, 282, 283; 312/114, 123, 126,
312/128–129, 136, 204, 231, 234, 242,
312/245; D19/92
CPC A47B 46/00; A47B 5/00; A47B 97/00;
A47B 2097/003; A47B 2097/005; A47B
2200/0078; A47B 2210/06; A47B
47/0091

See application file for complete search history.

(56) **References Cited**

U.S. PATENT DOCUMENTS

D238,230 S * 12/1975 Sklaroff D6/652
D325,313 S * 4/1992 Evenson D6/553

D386,631 S * 11/1997 Meier D6/656.1
D525,308 S * 7/2006 Lara D19/92
D658,417 S * 5/2012 Kusmer D6/567
D718,958 S * 12/2014 Boorazanes D6/675

* cited by examiner

Primary Examiner — Wan Laymon

Assistant Examiner — Mark Booker

(74) *Attorney, Agent, or Firm* — Cameron IP

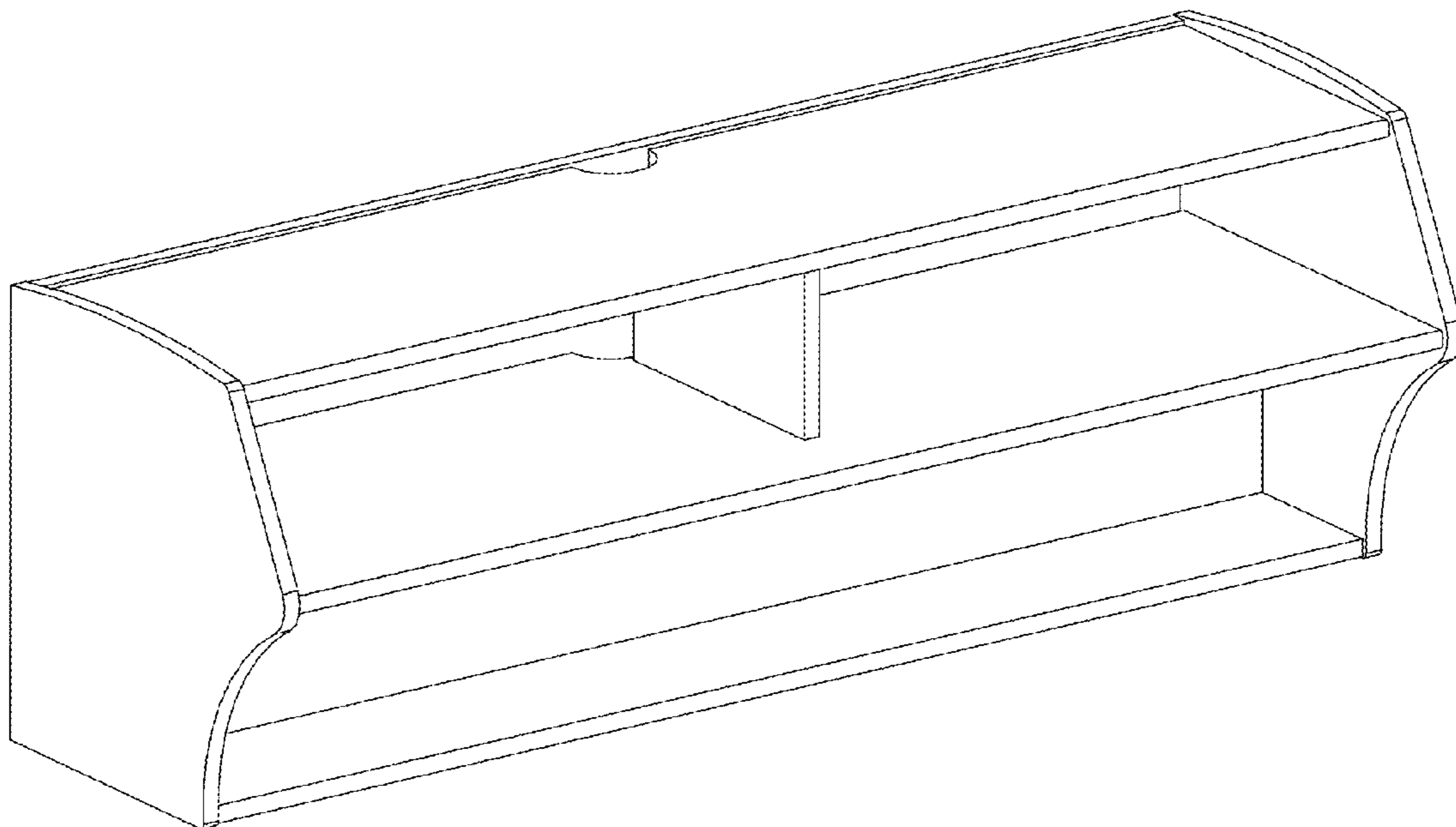
(57) **CLAIM**

The ornamental design for a wall mounted audio video console, as shown and described.

DESCRIPTION

FIG. 1 is a front perspective view of a wall mounted audio video console showing the new design;
FIG. 2 is a bottom perspective view thereof;
FIG. 3 is a side perspective view thereof;
FIG. 4 is a side elevational view thereof, the other side being a mirror image;
FIG. 5 is a front elevational view thereof;
FIG. 6 is a rear elevational view thereof;
FIG. 7 is a top plan view thereof;
FIG. 8 is a bottom plan view thereof; and,
FIG. 9 is an exploded perspective view thereof.
The broken lines shown in the figures represent portions of the wall mounted audio video console that form no part of the claimed design.

1 Claim, 9 Drawing Sheets



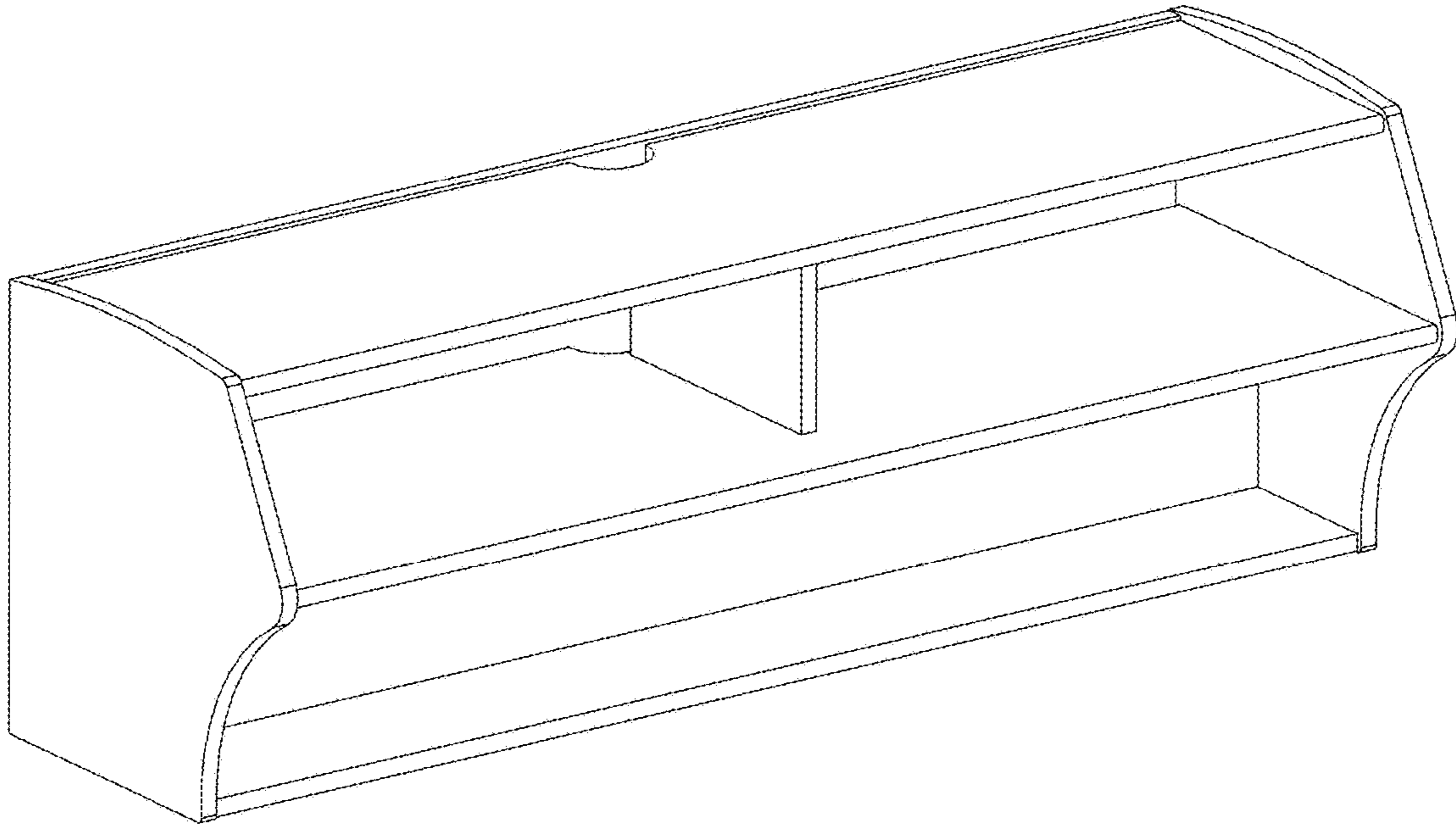


FIG.1

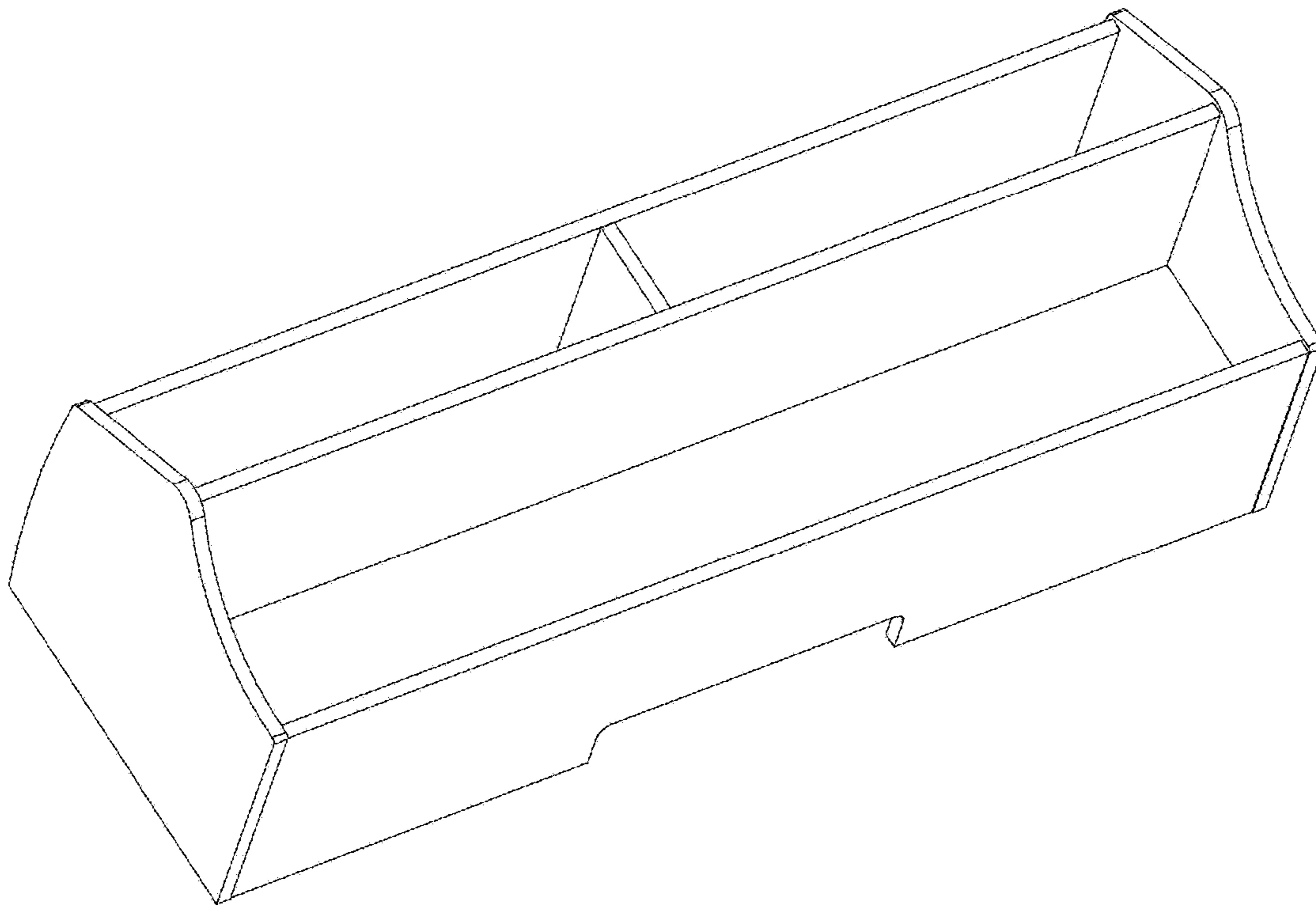


FIG.2

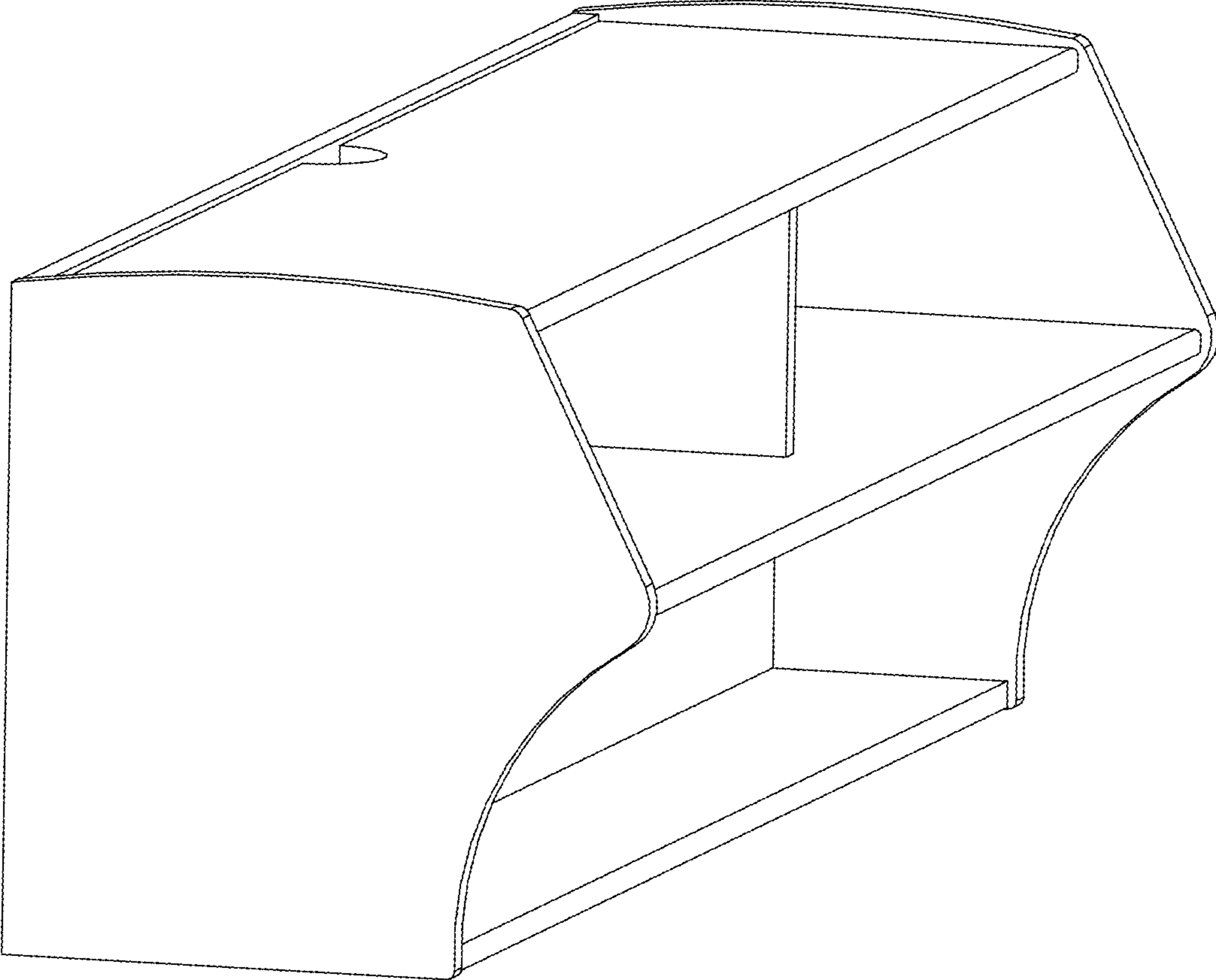


FIG.3

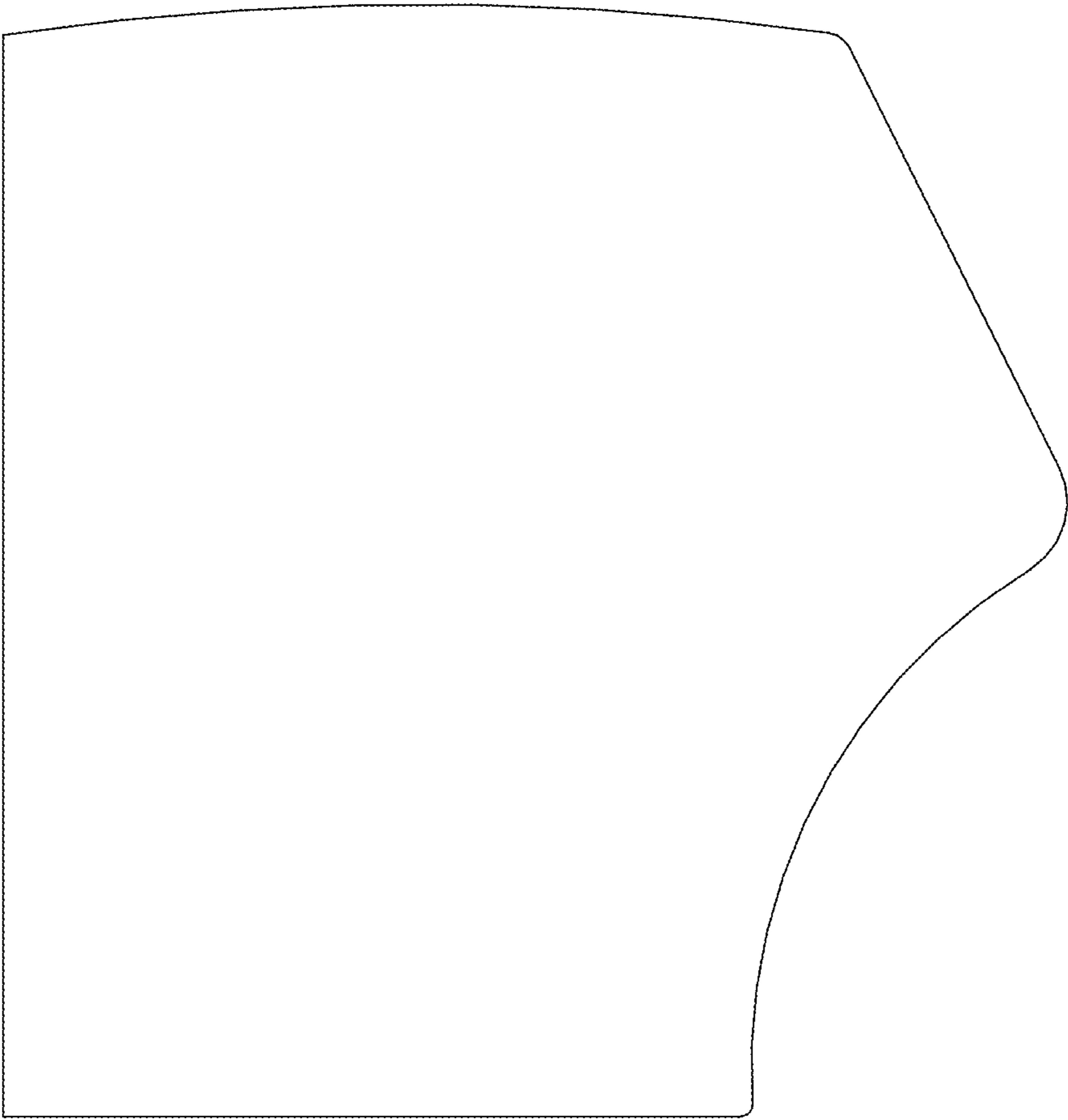


FIG.4

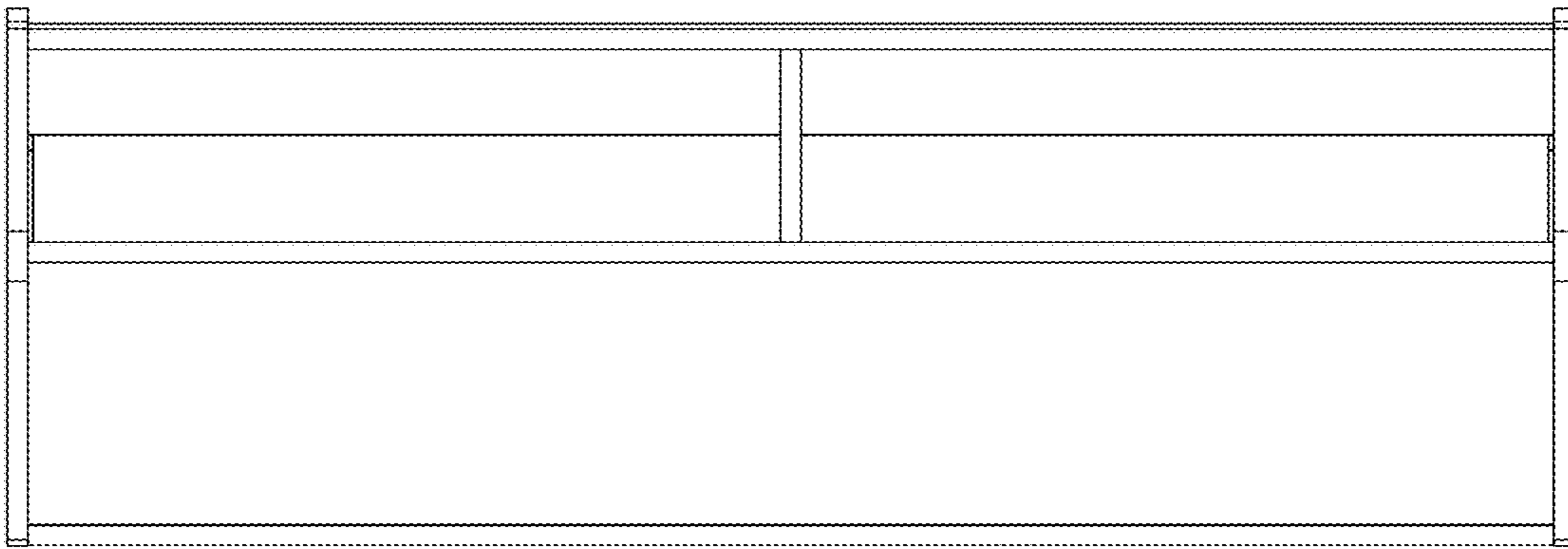


FIG.5

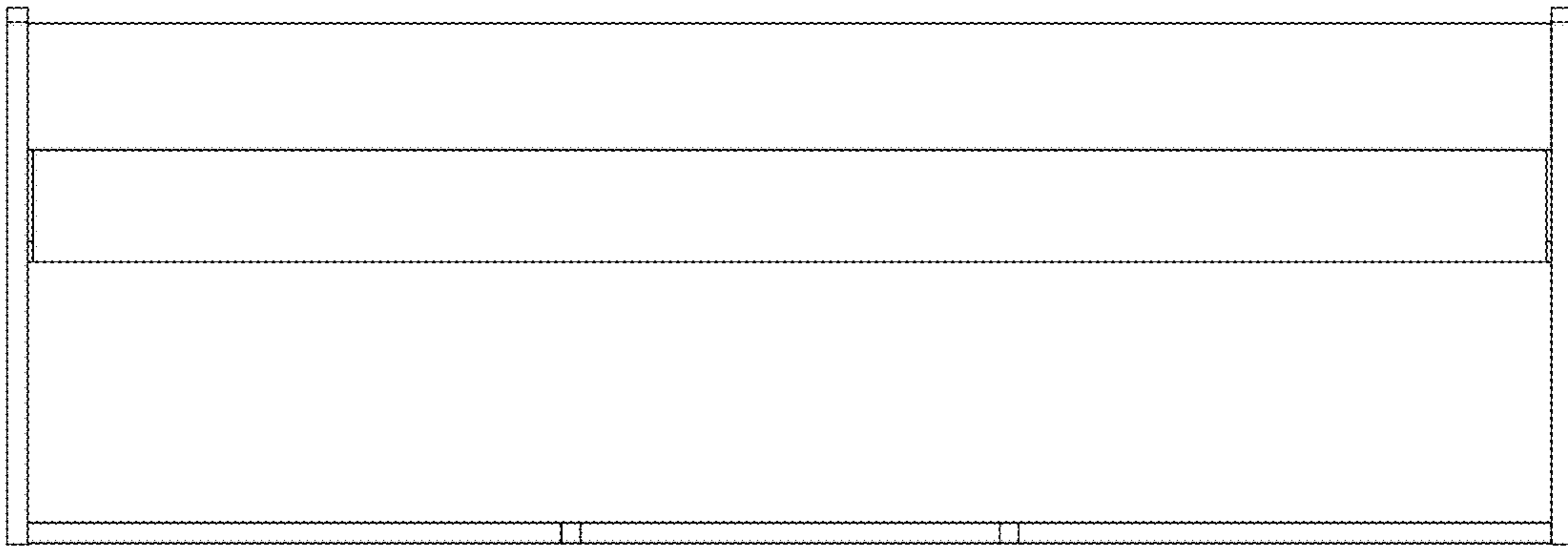


FIG.6

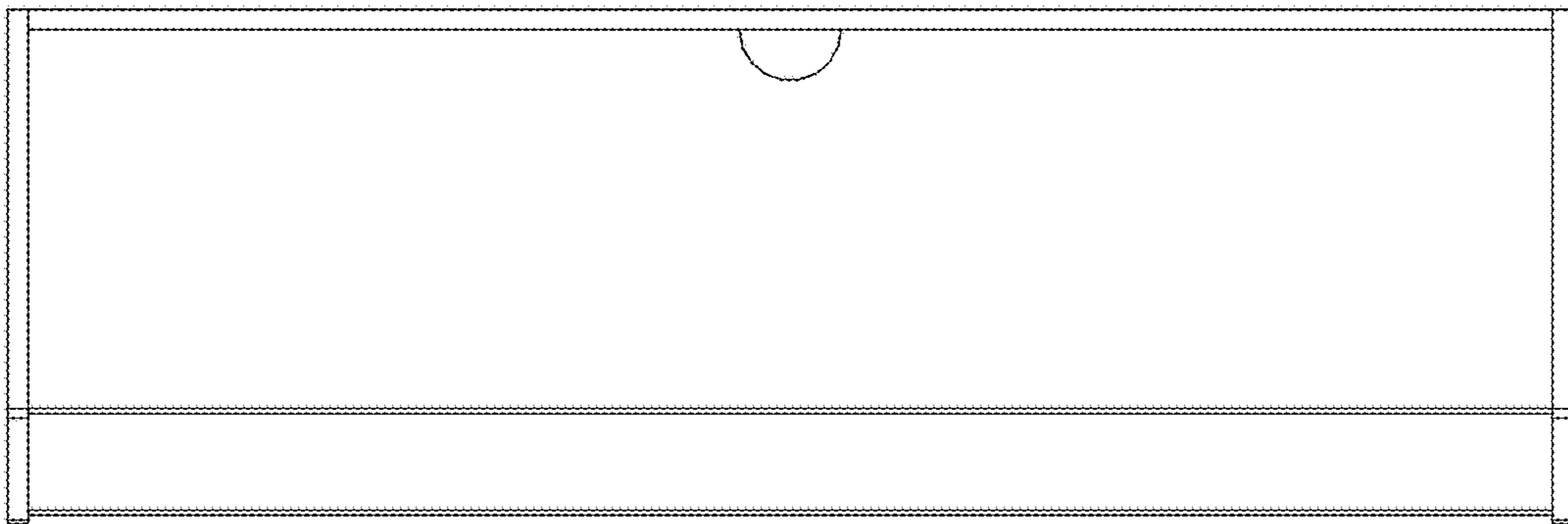


FIG.7

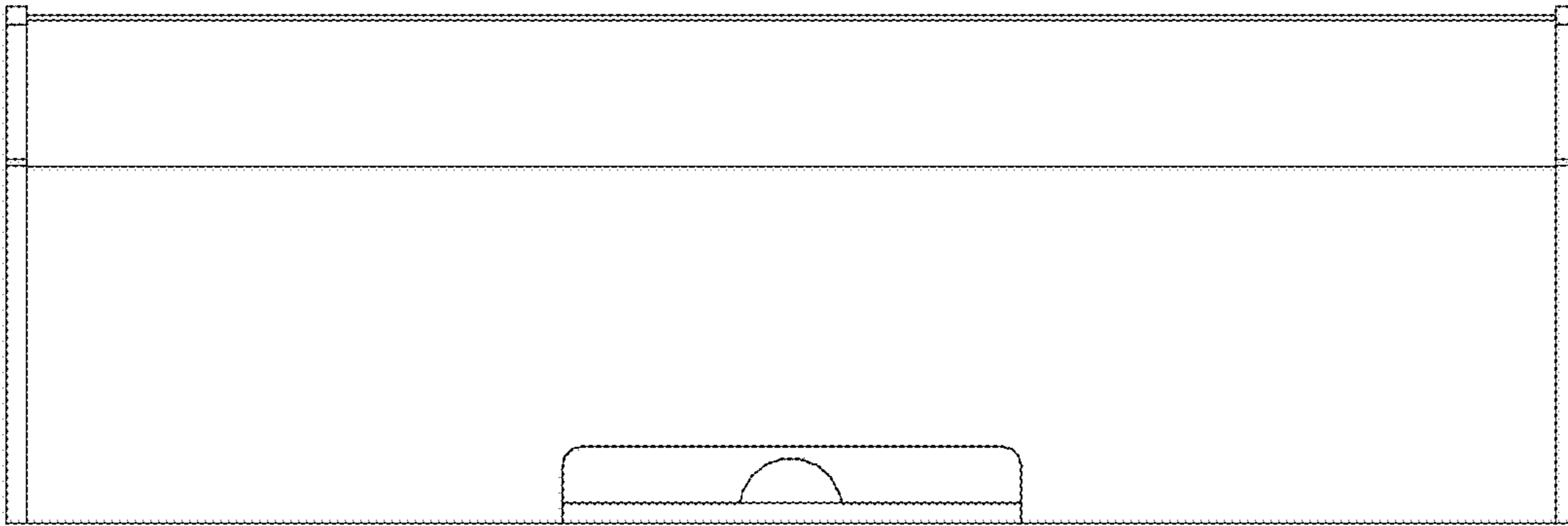


FIG.8

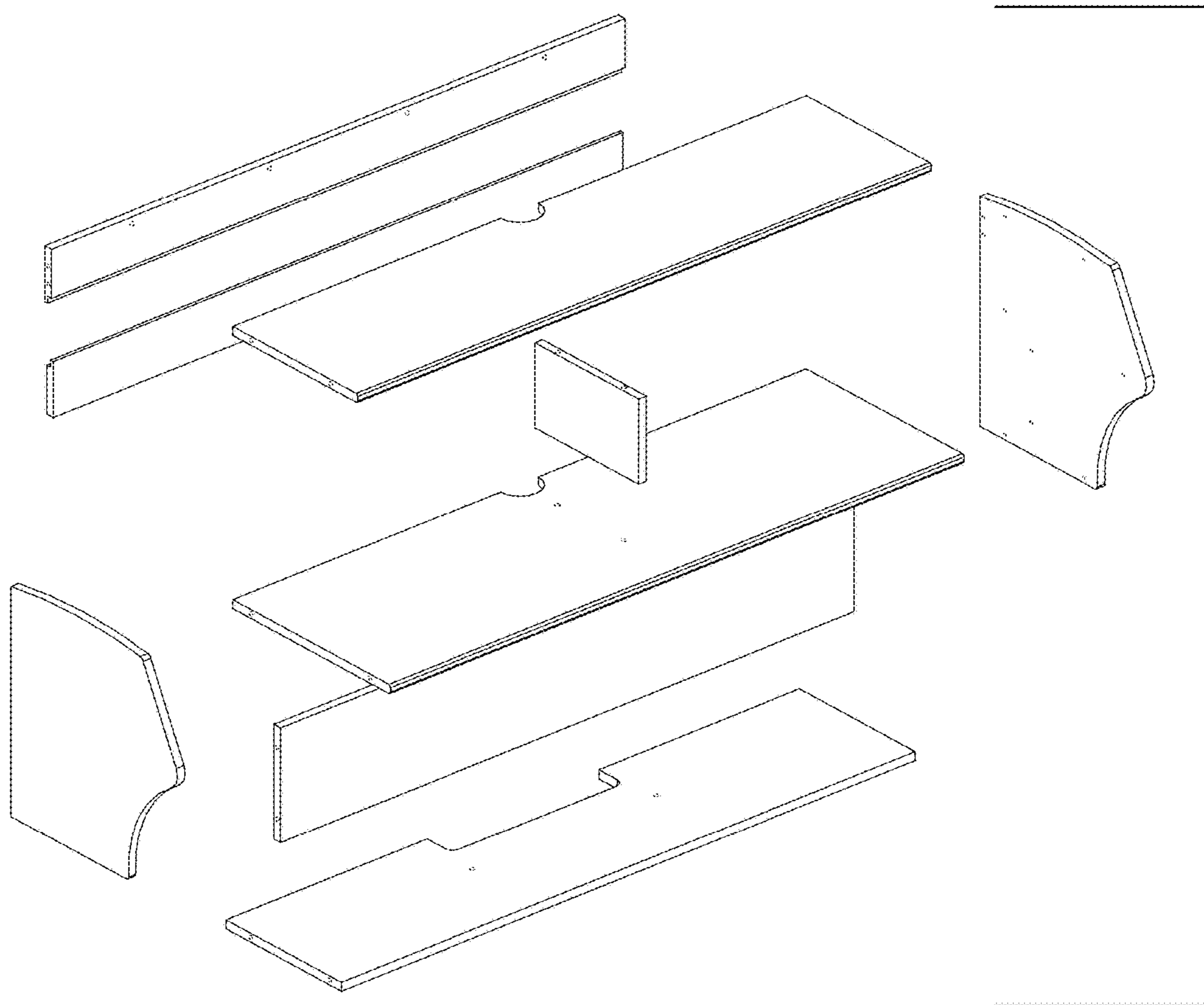


FIG.9