



US00D793119S

(12) **United States Design Patent** (10) **Patent No.:** **US D793,119 S**
Toscano (45) **Date of Patent:** **** Aug. 1, 2017**

(54) **ORAL HYGIENE ORGANIZER**

(71) Applicant: **BioArmor, LLC**, Charlotte, NC (US)

(72) Inventor: **Salvatore M. Toscano**, Charlotte, NC (US)

(73) Assignee: **BioArmor, LLC**, Charlotte, NC (US)

(**) Term: **15 Years**

(21) Appl. No.: **29/561,756**

(22) Filed: **Apr. 19, 2016**

(51) **LOC (10) Cl.** **23-02**

(52) **U.S. Cl.**

USPC **D6/531**

(58) **Field of Classification Search**

USPC D6/531, 527, 528, 529, 534, 535, 567,
D6/574, 524, 526; D7/635, 637, 701
CPC . A47K 1/09; A47K 3/281; A47K 5/02; A47K
1/08; A47F 7/0028; A45D 33/00; A45D
27/22; A45D 44/18; B65D 35/34; B65D
71/50

See application file for complete search history.

(56) **References Cited**

U.S. PATENT DOCUMENTS

D463,933 S * 10/2002 Carlson D6/531

D707,503 S * 6/2014 Dorn D7/701

* cited by examiner

Primary Examiner — Wan Laymon

Assistant Examiner — Mark Booker

(74) *Attorney, Agent, or Firm* — Gregory R. Everman;
Everman Law Firm, P.A.

(57) **CLAIM**

The ornamental design for an oral hygiene organizer, as shown and described.

DESCRIPTION

FIG. 1 is a top, front, left side perspective view of an oral hygiene organizer, showing my new design;

FIG. 2 is a top plan view thereof;

FIG. 3 is a bottom plan view thereof;

FIG. 4 is a front elevational view thereof;

FIG. 5 is a rear elevational view thereof;

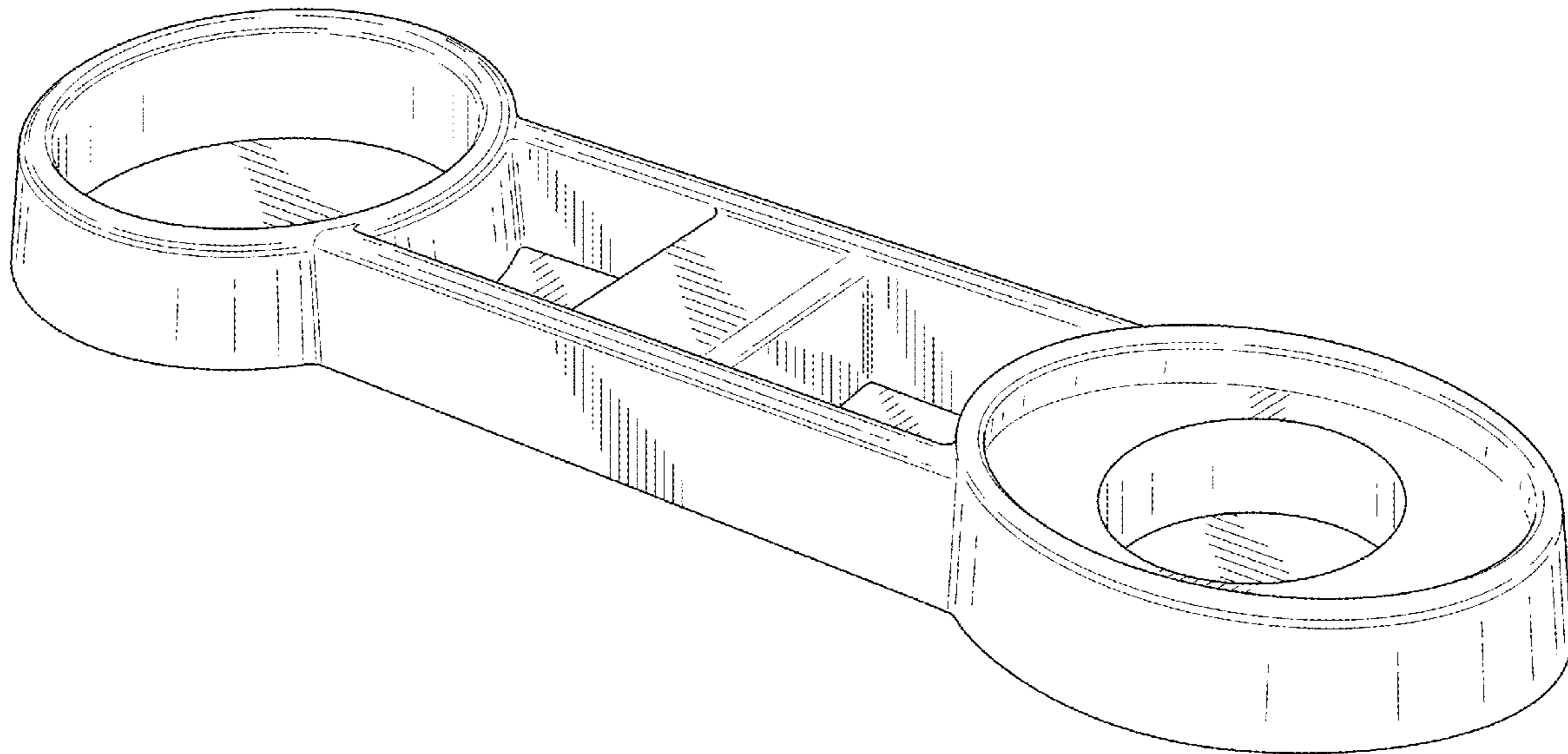
FIG. 6 is a right side view thereof;

FIG. 7 is a left side view thereof; and,

FIG. 8 is a top, front, left side perspective view thereof shown in use condition.

The broken lines showing of an upside down cup, toothpaste container and two containers are for the purpose of illustrating environmental structure and form no part of the claimed design.

1 Claim, 6 Drawing Sheets



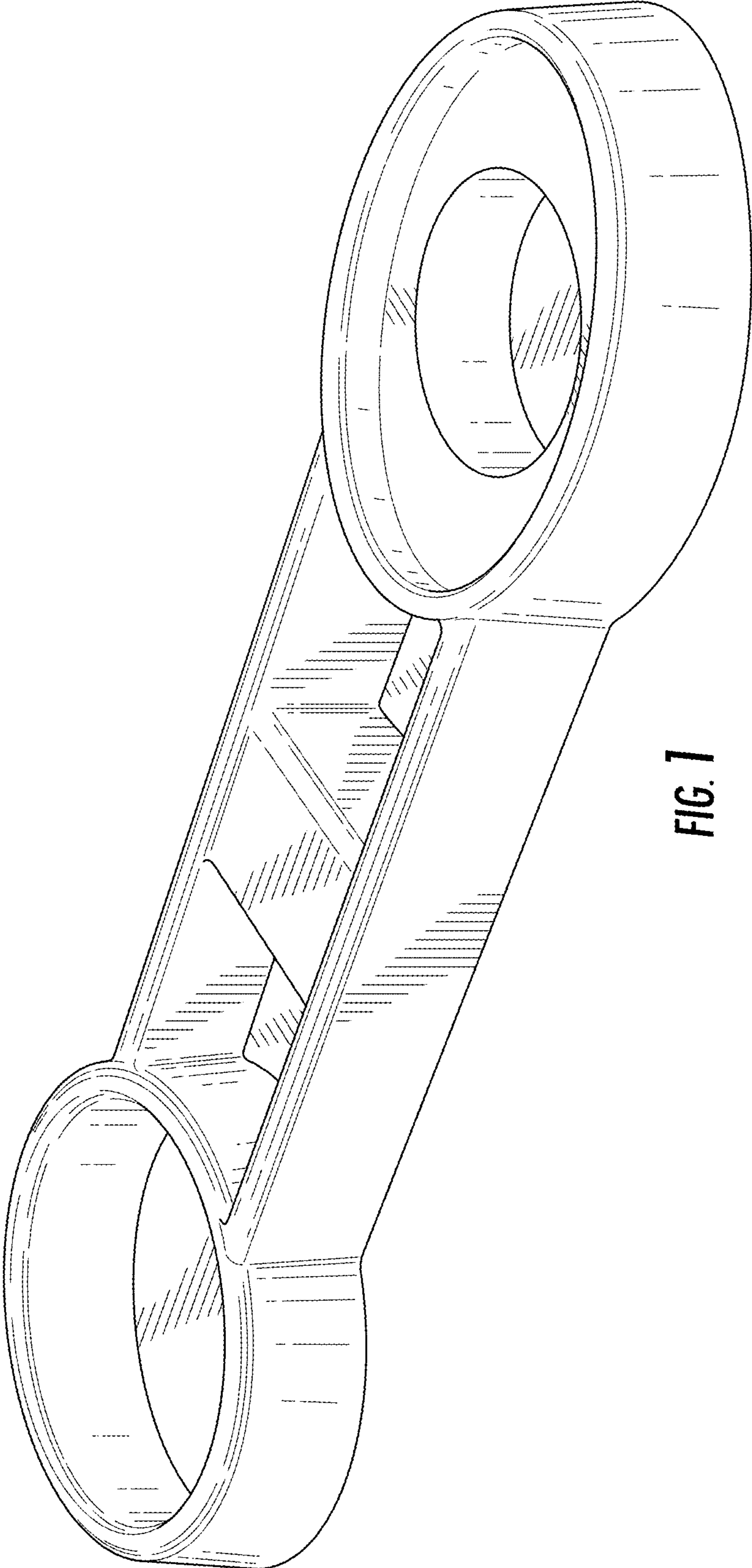


FIG. 1

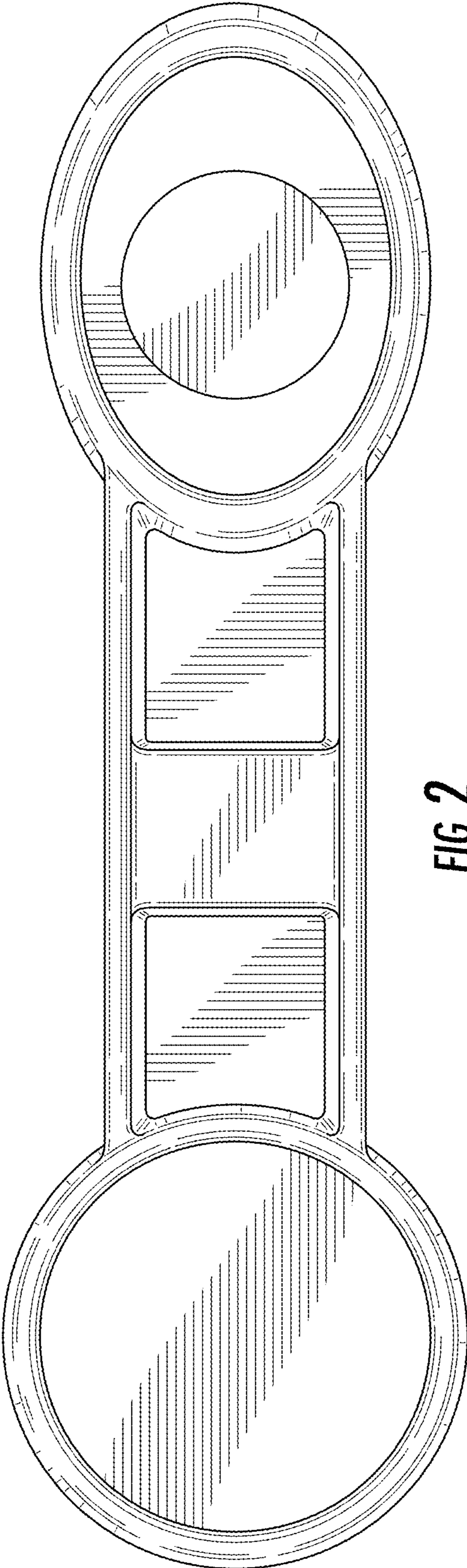


FIG. 2

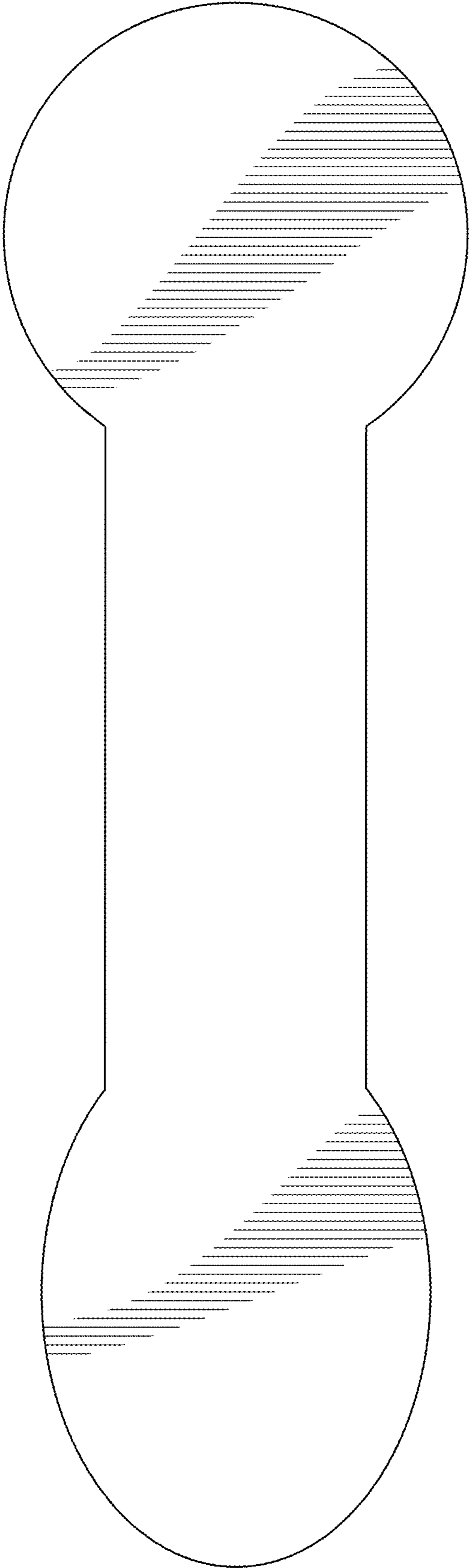


FIG. 3

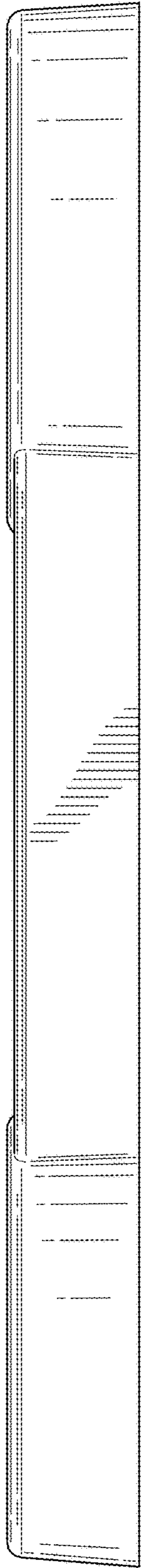


FIG. 4

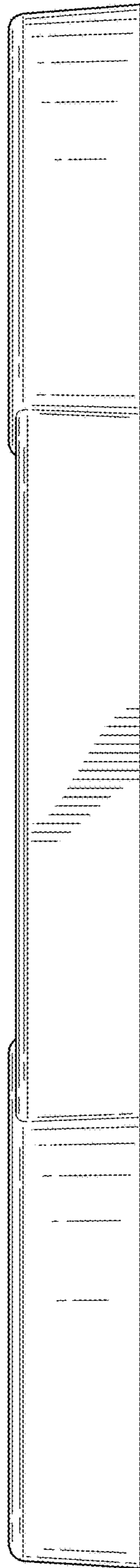


FIG. 5

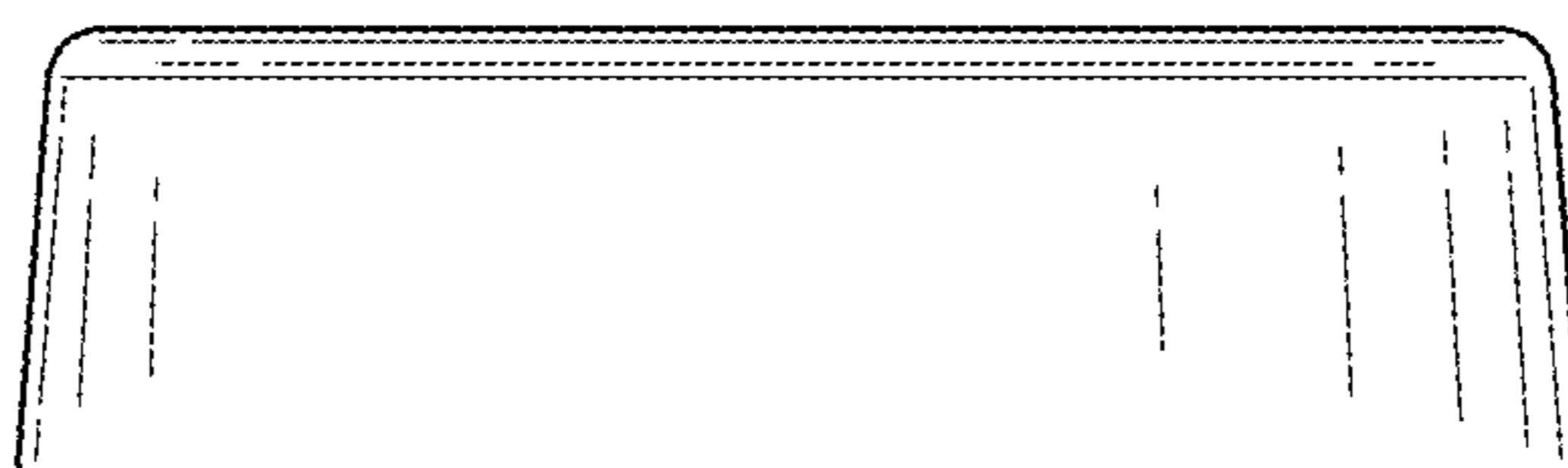


FIG. 6

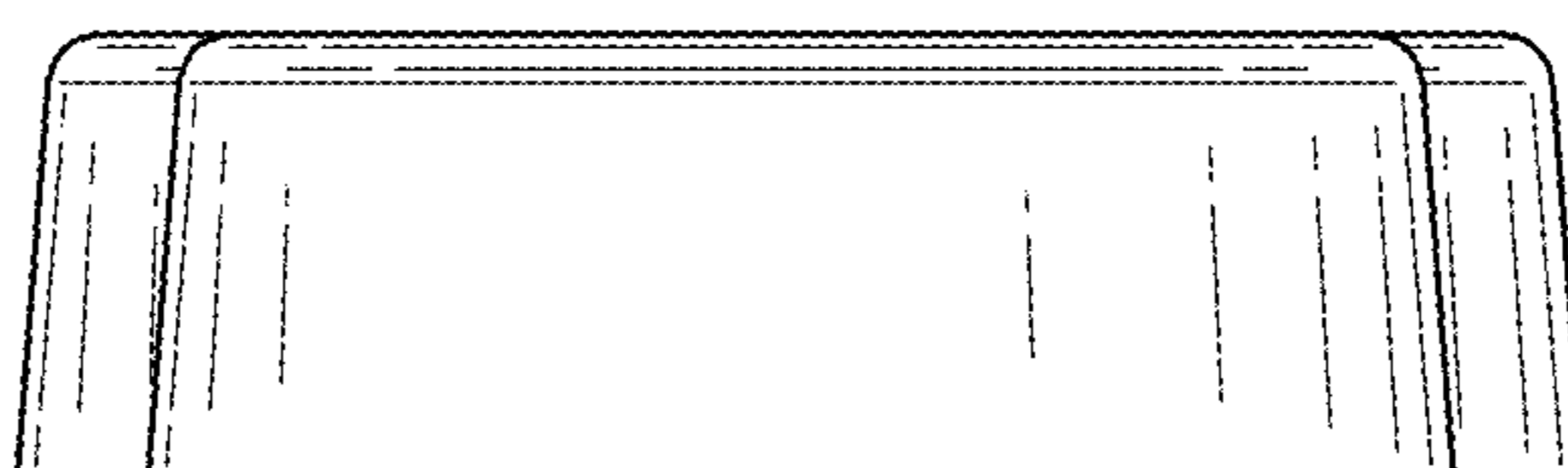


FIG. 7

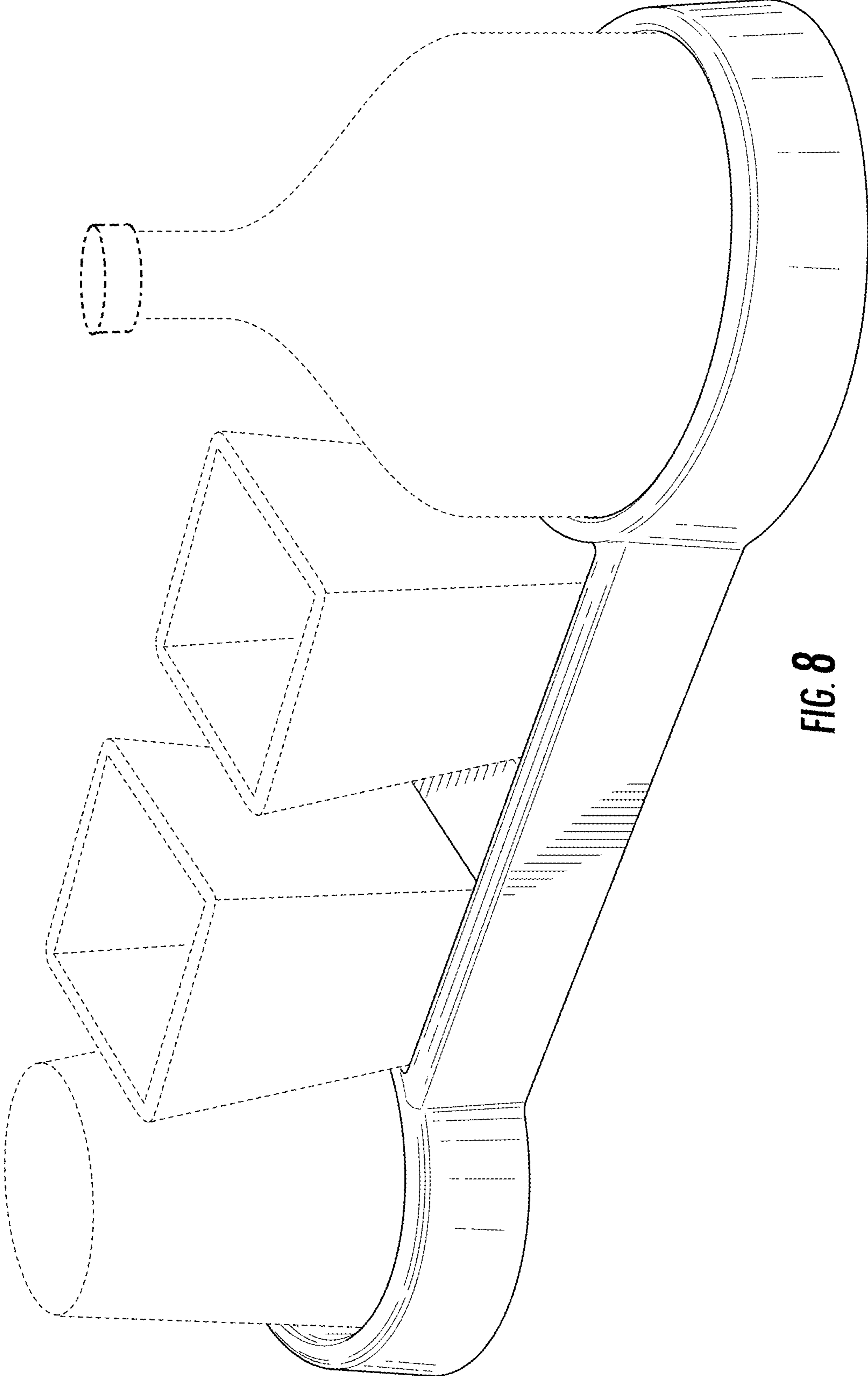


FIG. 8