



US00D793118S

(12) **United States Design Patent** (10) **Patent No.:** **US D793,118 S**
Li (45) **Date of Patent:** **** Aug. 1, 2017**

(54) **HOLDER AND DISPENSER FOR NON-PERFORATED TOILET PAPER**
(71) Applicant: **Weicheng Li**, Beijing (CN)
(72) Inventor: **Weicheng Li**, Beijing (CN)
(**) Term: **15 Years**
(21) Appl. No.: **29/530,995**
(22) Filed: **Jun. 22, 2015**
(51) **LOC (10) Cl.** **20-02**
(52) **U.S. Cl.**
USPC **D6/518**
(58) **Field of Classification Search**
USPC D6/515-518, 553, 542-545, 567, 574;
206/225, 233, 389, 391, 77.1; 211/13.1,
211/173, 180, 45, 86.01, 87.02, 87.01;
221/26.33, 282, 283, 14, 92, 105;
222/173, 180, 281-282; 242/570, 590;
248/309.1, 309.2, 905
CPC ... A47K 10/40; A47K 10/38; A47K 2010/324
See application file for complete search history.

(56) **References Cited**
U.S. PATENT DOCUMENTS
2,390,399 A * 12/1945 Tator A47K 10/38
225/42
D148,484 S * 1/1948 Roche D6/523
D181,360 S * 11/1957 Joseph D6/523
D182,041 S * 2/1958 Roabello D6/522
2,973,958 A * 3/1961 Casey A47K 10/36
225/14
3,713,569 A * 1/1973 Dashnier A47K 10/38
225/21
D283,383 S * 4/1986 Derrickson D6/523
5,028,097 A * 7/1991 Tucker A47K 10/40
312/34.8
D335,412 S * 5/1993 Howard D6/522

D339,705 S * 9/1993 Howard D6/522
D347,135 S * 5/1994 Morand D6/522
D356,707 S * 3/1995 Morand D6/522
D363,628 S * 10/1995 McCanless D6/518
D386,922 S * 12/1997 Sedlock D6/522
D450,963 S * 11/2001 Phelps D6/522
D451,323 S * 12/2001 Phelps D6/522
D461,671 S * 8/2002 Lewis D6/545
D488,654 S * 4/2004 Omdoll D6/518
6,977,588 B2 * 12/2005 Schotz A47K 10/36
242/570
D522,781 S * 6/2006 Wieser D6/518
D560,939 S * 2/2008 Valot D6/522
D568,655 S * 5/2008 Friesen D6/518

(Continued)

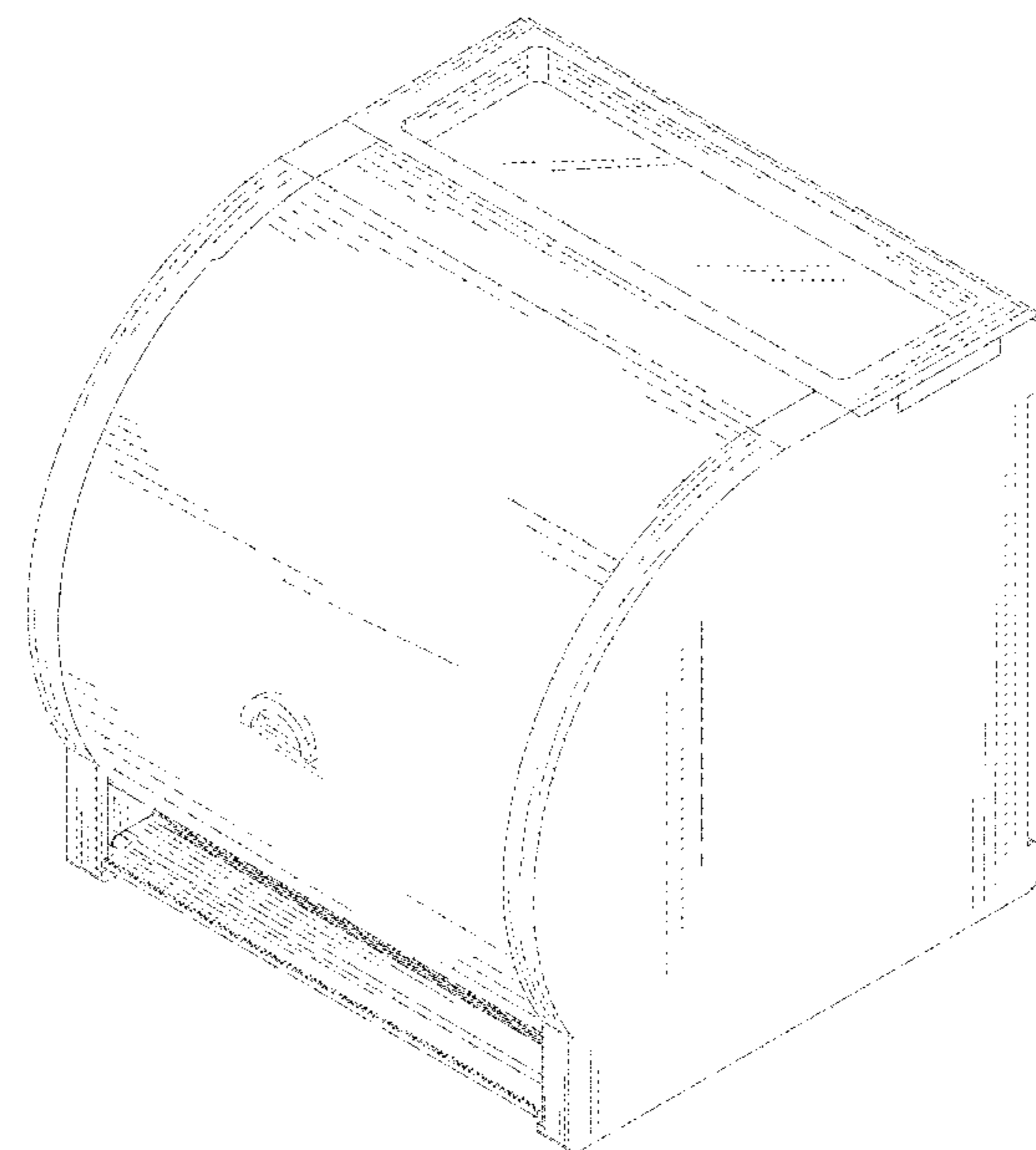
Primary Examiner — David Muller
Assistant Examiner — Nathan Johnston
(74) *Attorney, Agent, or Firm* — Ming Chow; Sinorica, LLC

(57) **CLAIM**
The ornamental design for a holder and dispenser for non-perforated toilet paper, as shown and described.

DESCRIPTION

FIG. 1 is a front perspective view of a holder and dispenser for non-perforated toilet paper showing my new design; FIG. 2 is a rear perspective view thereof; FIG. 3 is a front elevation view thereof; FIG. 4 is a rear elevation view thereof; FIG. 5 is a left side elevation view thereof; FIG. 6 is a right side elevation view thereof; FIG. 7 is a top plan view thereof; and, FIG. 8 is a bottom plan view thereof. The broken line showing of holder and dispenser for Non-perforated toilet paper is included for the purpose of illustrating portions of the “article” and forms no part of the claimed design.

1 Claim, 8 Drawing Sheets



(56)

References Cited

U.S. PATENT DOCUMENTS

D569,151	S *	5/2008	Cittadino	D6/545
D583,174	S *	12/2008	Kuehneman	D6/522
7,570,067	B2 *	8/2009	Denen	A47K 10/3687 242/560
D644,468	S *	9/2011	Hansen	D6/522
D654,741	S *	2/2012	Hansen	D6/522
D657,984	S *	4/2012	Hansen	D6/523
D675,047	S *	1/2013	Green	D6/518
D681,987	S *	5/2013	Cittadino	D6/518
D709,299	S *	7/2014	Thomaz	D6/522
D711,663	S *	8/2014	Walters	D6/518
D756,683	S *	5/2016	Morand	D6/518
2003/0019971	A1 *	1/2003	Lewis	A47K 10/3637 242/564.4
2006/0138274	A1 *	6/2006	Goeking	A47K 10/3687 242/564.4
2009/0039099	A1 *	2/2009	Friesen	B26D 1/425 221/1
2009/0236953	A1 *	9/2009	Cardozo Martinez ...	B41J 29/02 312/34.8
2015/0297043	A1 *	10/2015	Osborne, Jr.	A47K 10/38 242/563.2
2016/0120376	A1 *	5/2016	Massey, Jr.	A47K 10/3836 225/42

* cited by examiner

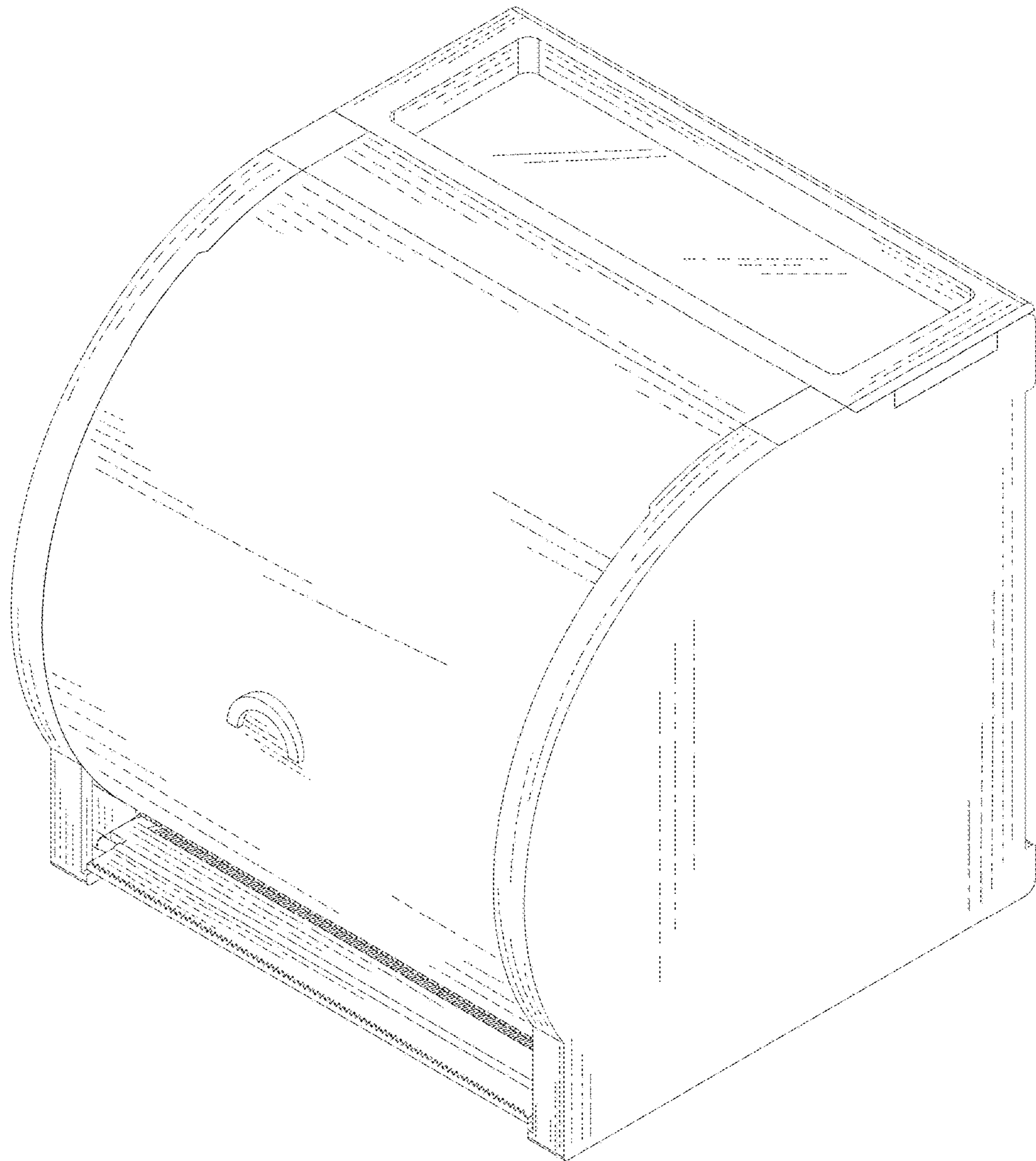


FIG. 1

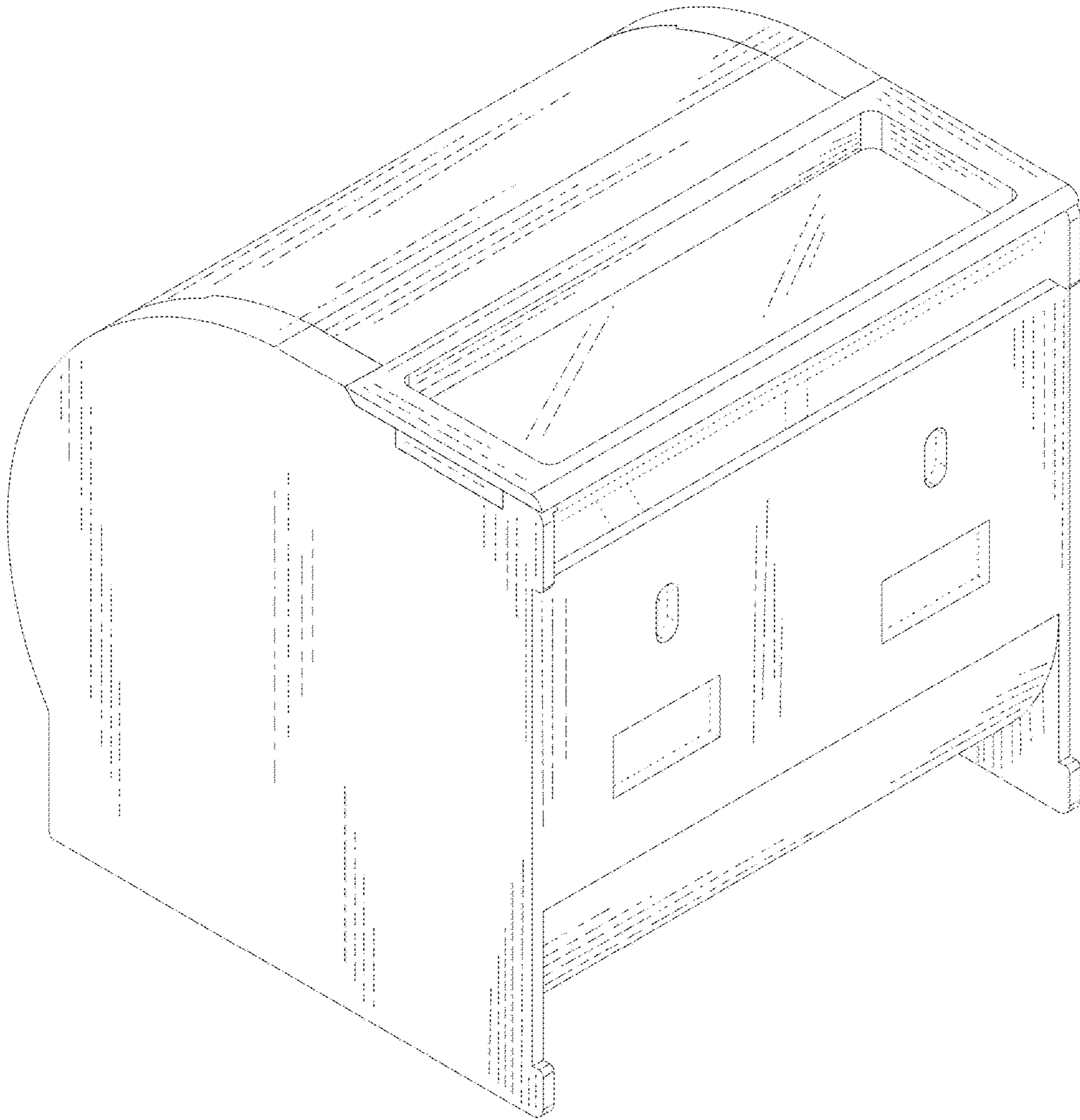


FIG. 2

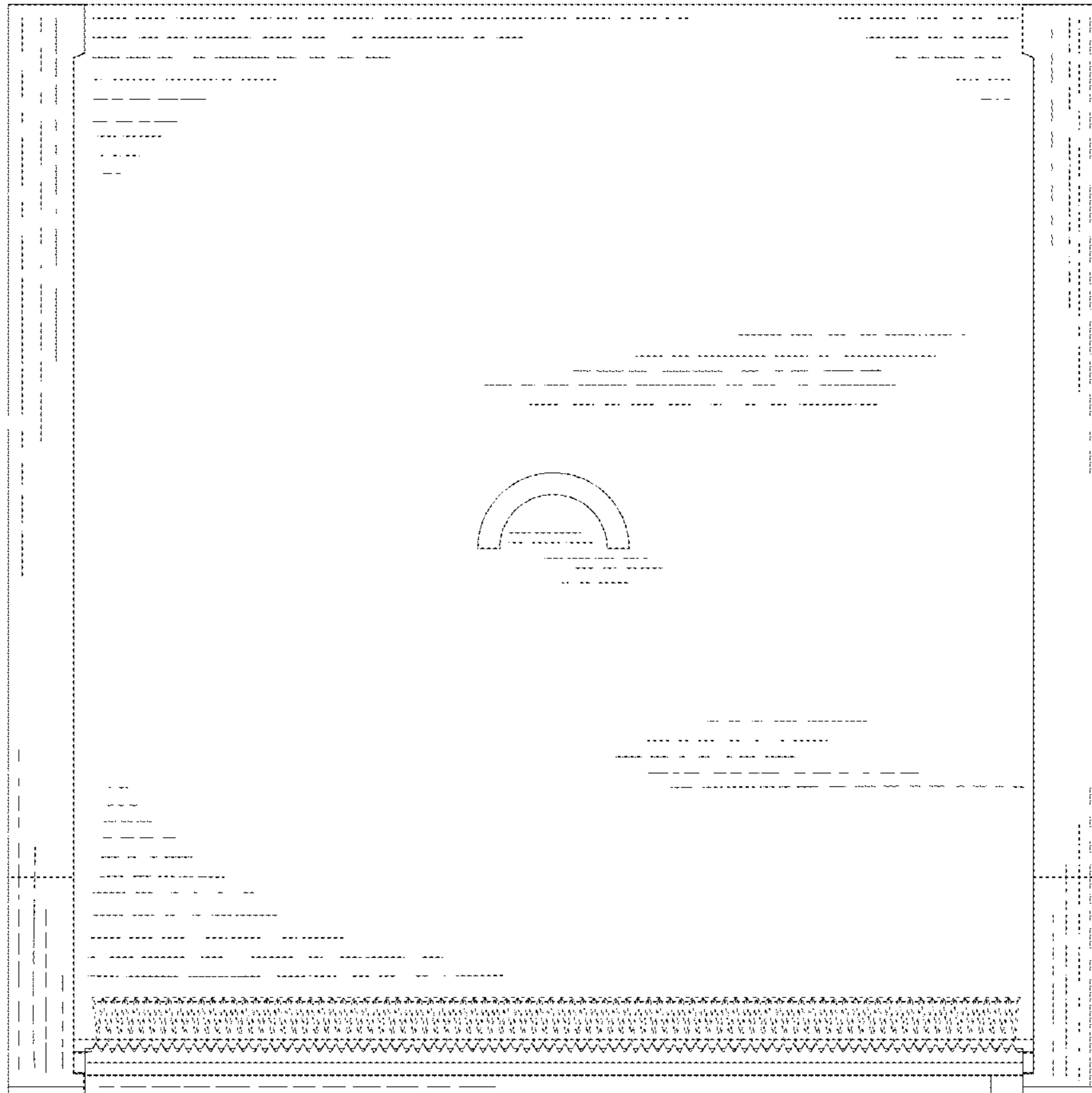


FIG. 3

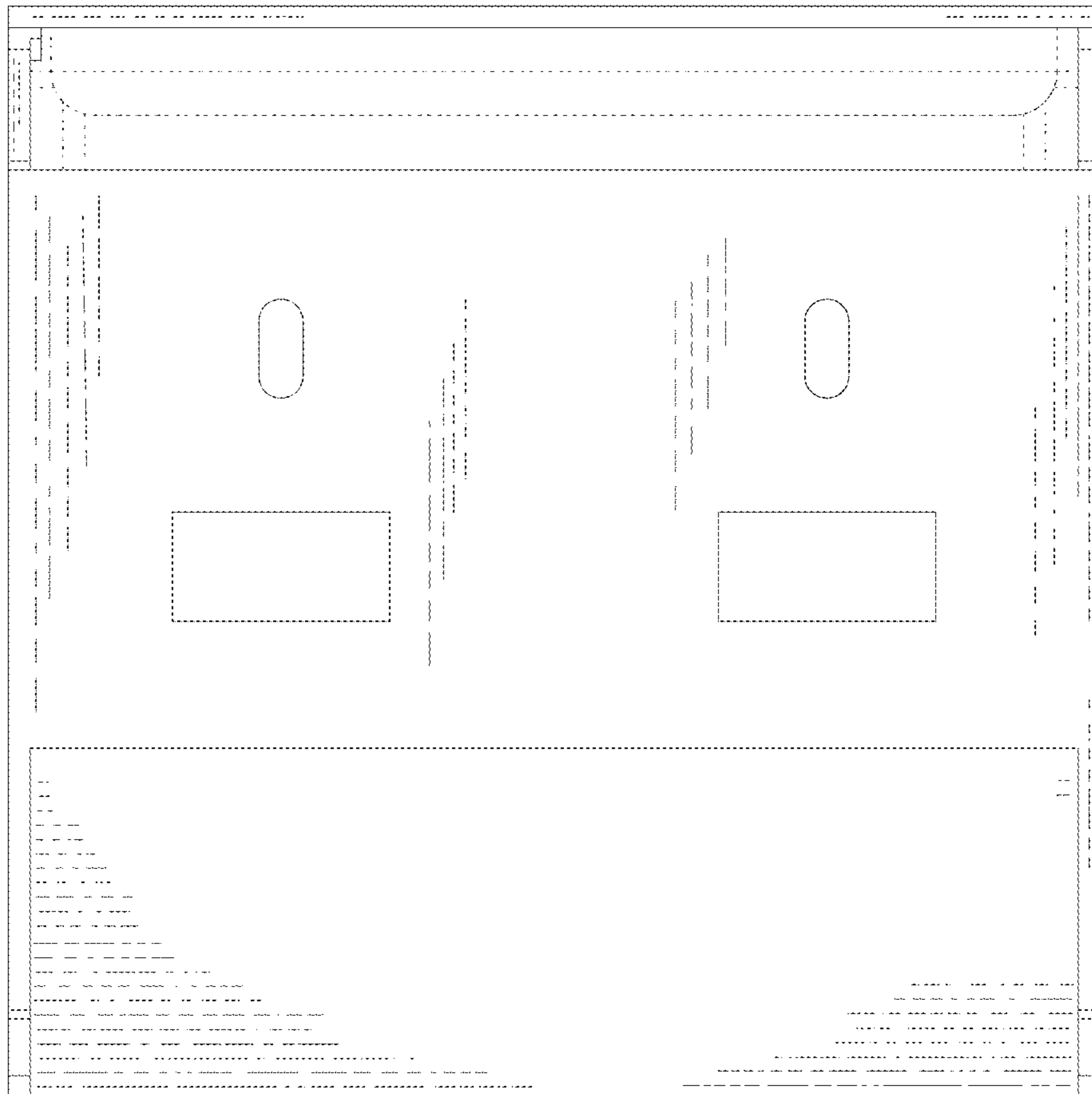


FIG. 4

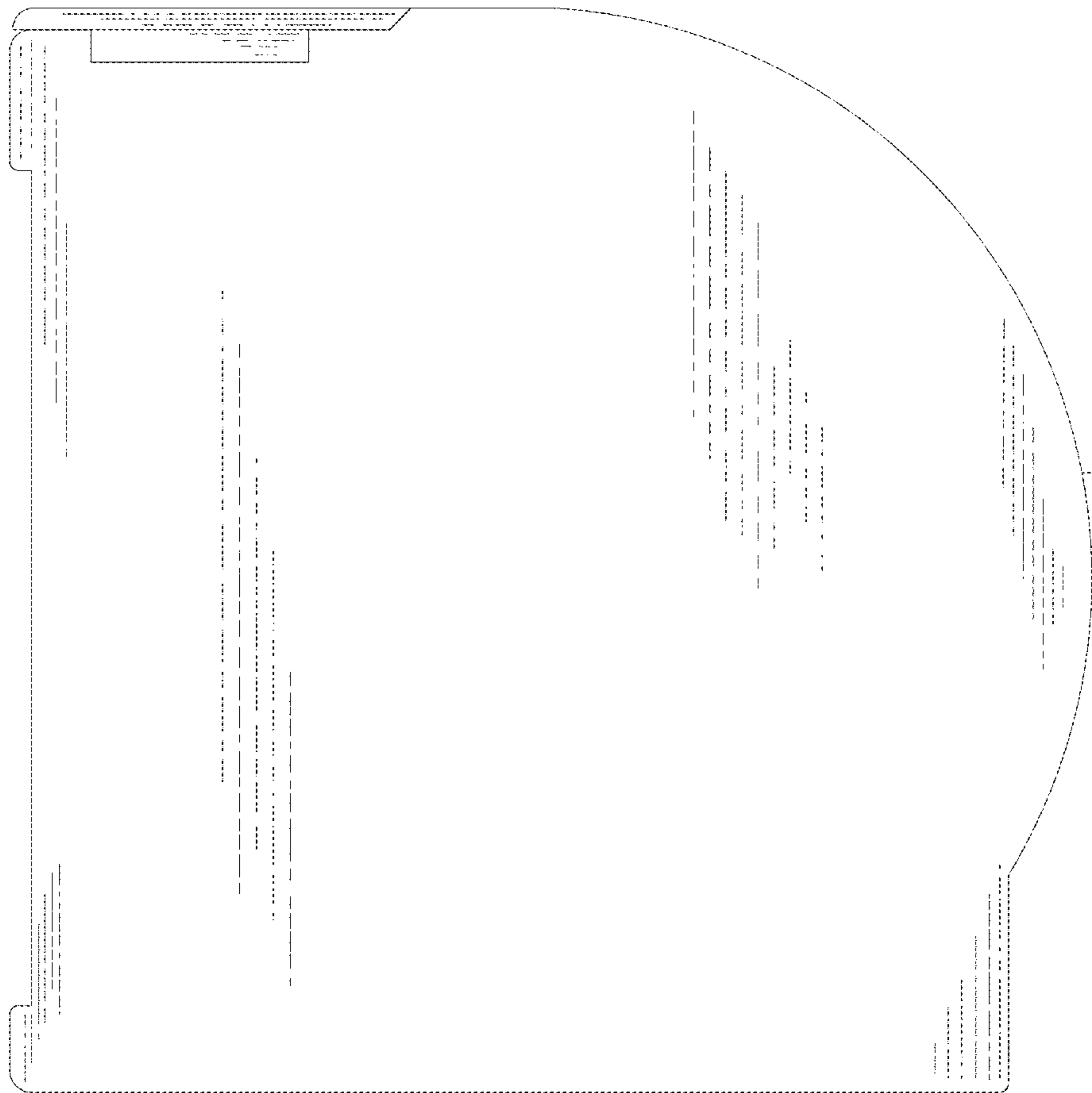


FIG. 5

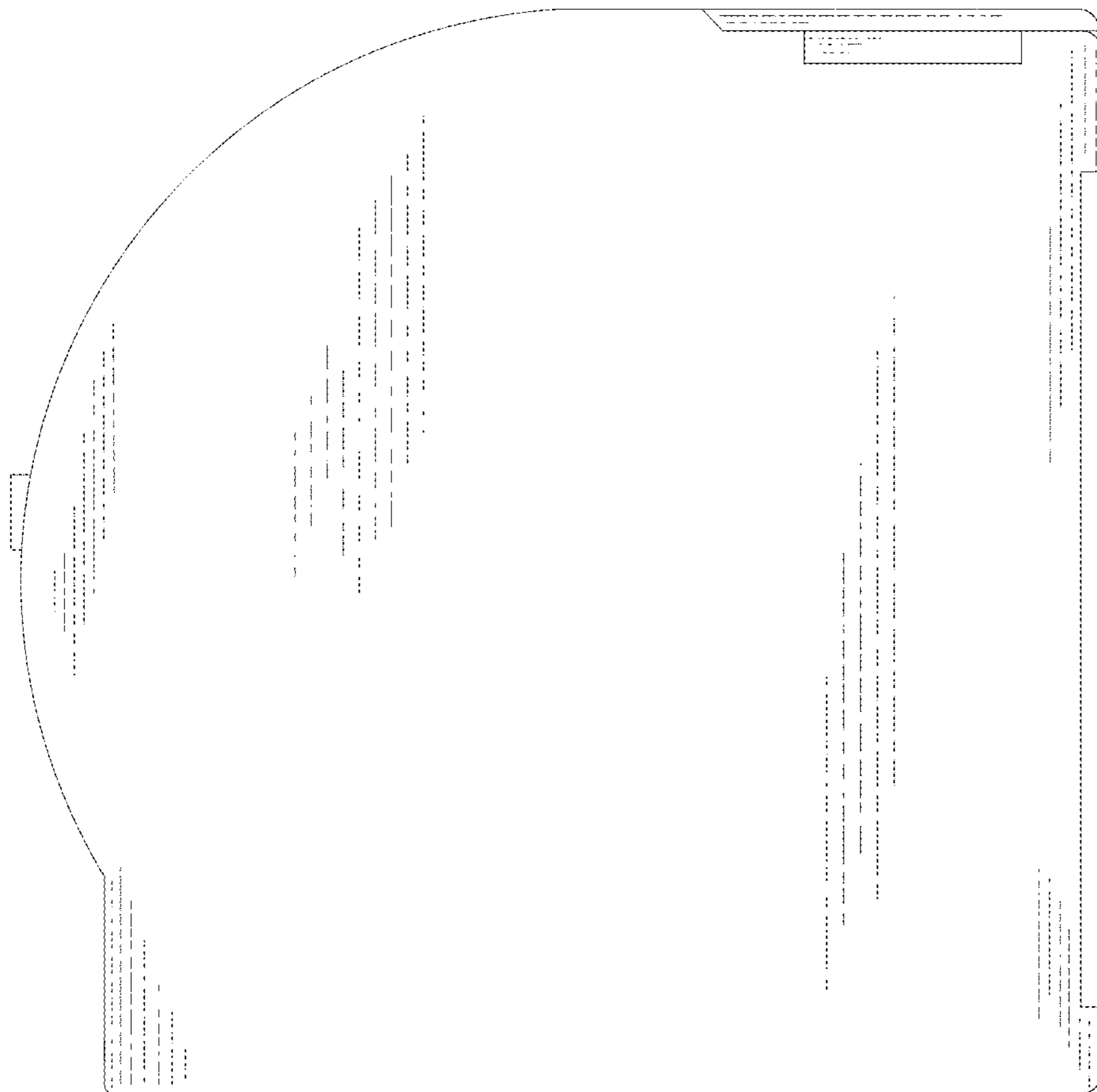


FIG. 6

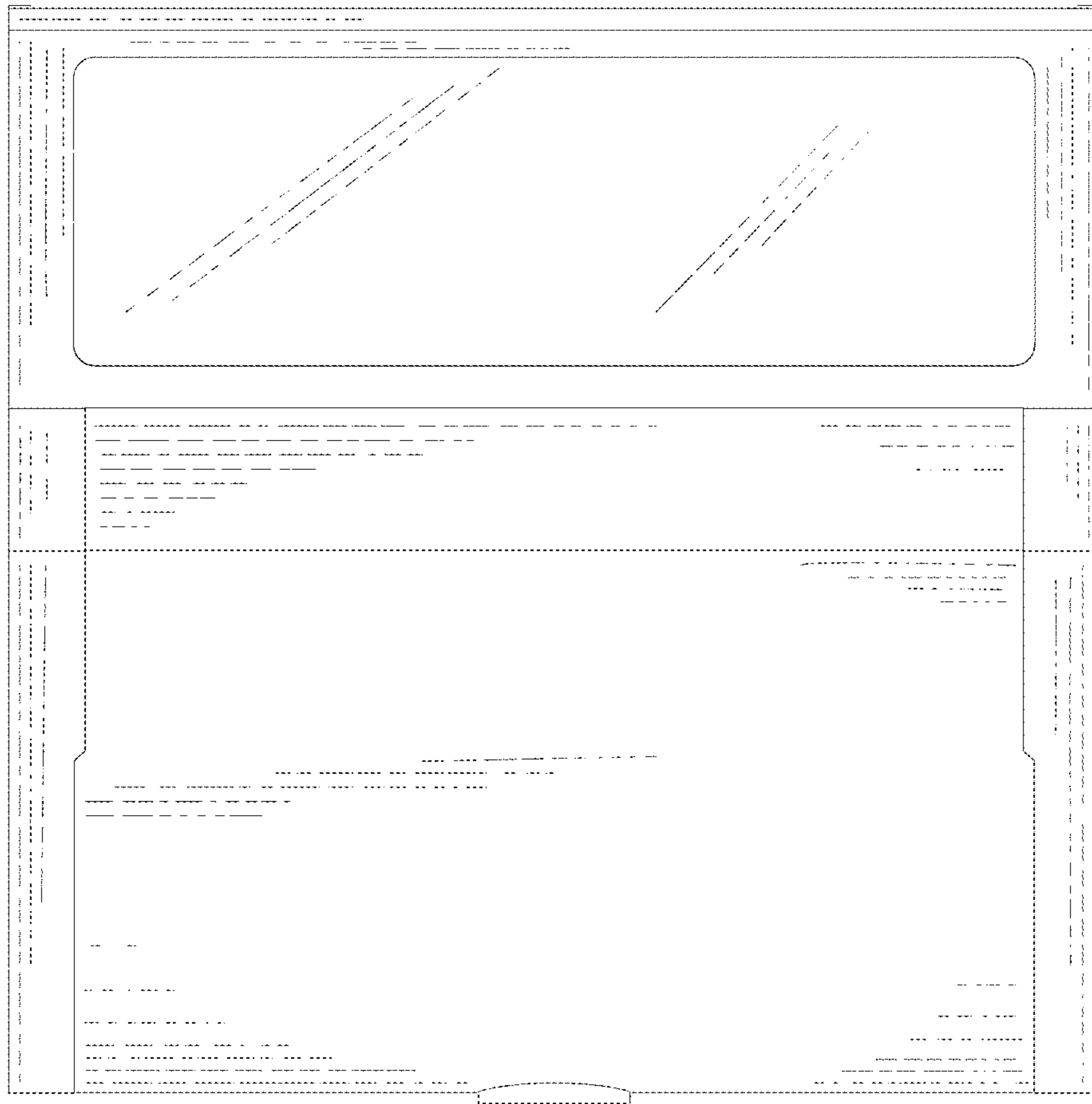


FIG. 7



FIG. 8