



US00D793114S

(12) **United States Design Patent**  
**Degara**

(10) **Patent No.:** **US D793,114 S**  
(45) **Date of Patent:** **\*\* Aug. 1, 2017**

(54) **BENCH**

(71) Applicant: **SANTONI VETRI DI SANTONI SANDRO & C. S.N.C.**, Arco (Trento) (IT)

(72) Inventor: **Luca Degara**, Ledro (IT)

(73) Assignees: **SANTONI VETRI DI SANTONI SANDRO & C. S.N.C.**, Arco (IT), part interest; **Luca Degara**, Ledro (IT), part interest

(\*\*) Term: **15 Years**

(21) Appl. No.: **29/550,806**

(22) Filed: **Jan. 7, 2016**

(30) **Foreign Application Priority Data**

Jul. 8, 2015 (EM) ..... 002733238-0007  
Jul. 8, 2015 (EM) ..... 002733238-0008

(51) **LOC (10) Cl.** ..... **06-01**

(52) **U.S. Cl.**  
USPC ..... **D6/373**

(58) **Field of Classification Search**  
USPC ..... D6/334, 335, 336, 360, 361, 367, 368,  
D6/371-375, 379-381, 716, 716.1-716.8  
CPC .. A47C 7/16; A47C 4/03; A47C 11/00; A47C  
5/12  
See application file for complete search history.

(56) **References Cited**

**U.S. PATENT DOCUMENTS**

D167,811 S \* 9/1952 Schaefer ..... 297/411.42  
D182,895 S \* 5/1958 Hoven et al. .... 297/411.44

D246,493 S \* 11/1977 Blaser ..... D6/374  
4,140,065 A \* 2/1979 Chacon ..... A47C 4/021  
108/156  
D252,840 S \* 9/1979 Scholten ..... D6/375  
D257,749 S \* 1/1981 Davis ..... D6/348  
D727,049 S \* 4/2015 Xiong ..... D6/371  
D727,050 S \* 4/2015 Xiong ..... D6/371  
D727,647 S \* 4/2015 Sorel ..... D6/371  
D747,115 S \* 1/2016 Lievore ..... D6/375

\* cited by examiner

*Primary Examiner* — Deanna L Pratt

(74) *Attorney, Agent, or Firm* — Pearne & Gordon LLP

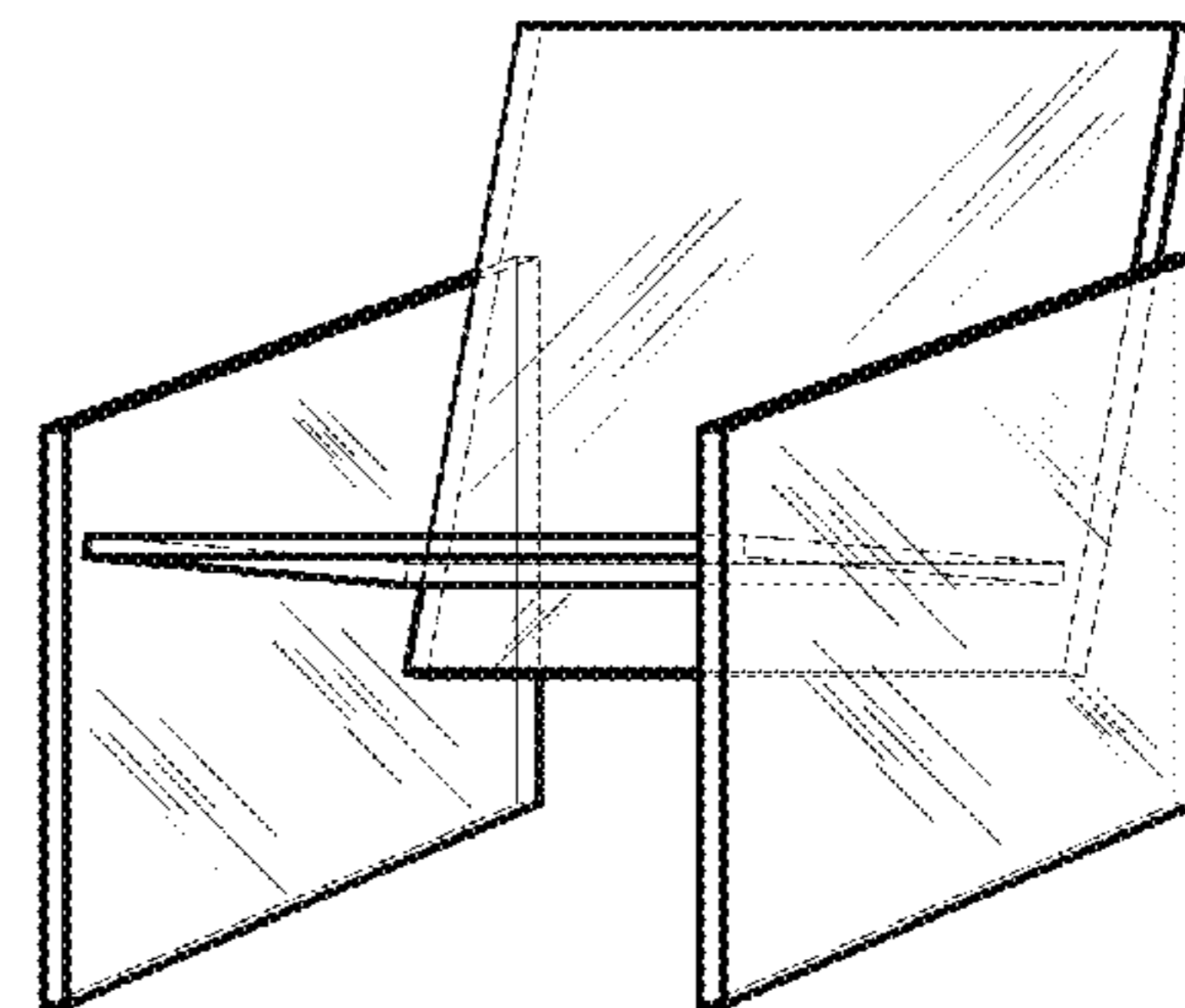
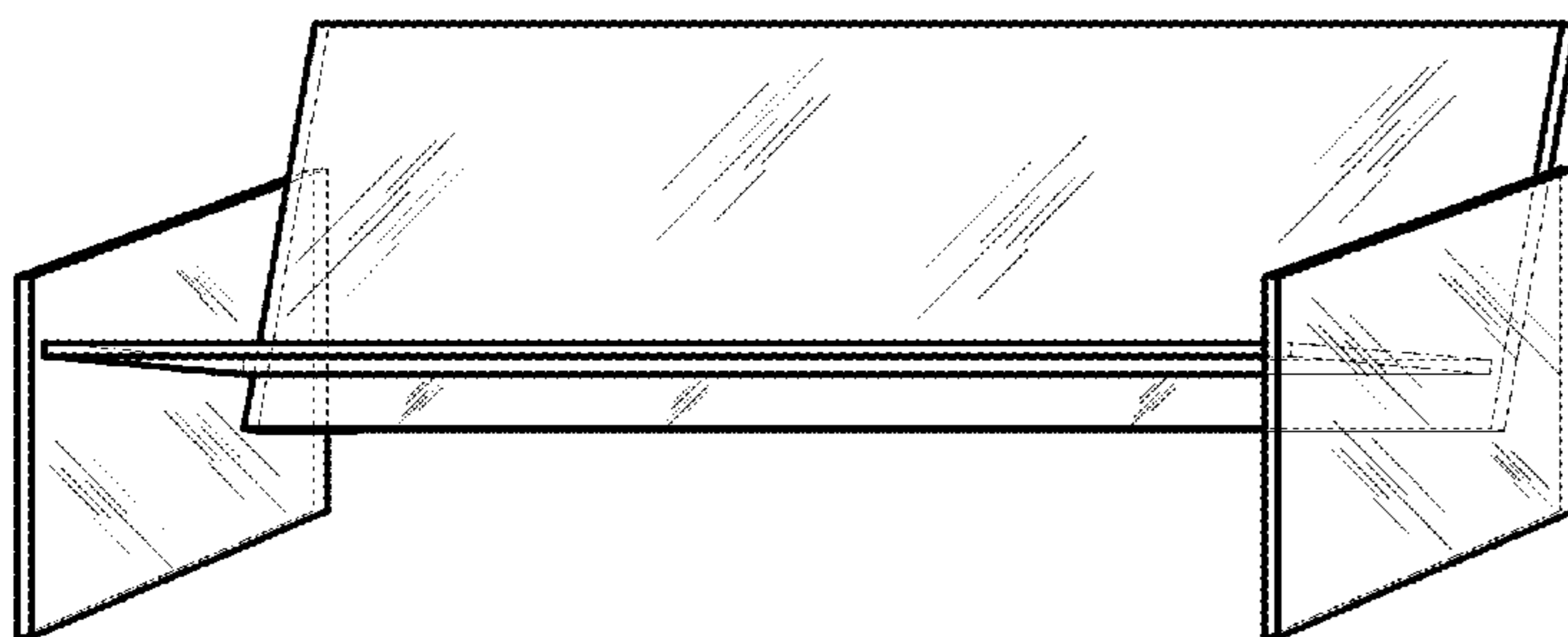
(57) **CLAIM**

The ornamental design for a bench, as shown and described.

**DESCRIPTION**

FIG. 1 is a left side elevational view of a first embodiment of a bench, showing my new design, the right side elevational view being a mirror image thereof;  
FIG. 2 is a top plan view thereof;  
FIG. 3 is a front elevational view thereof;  
FIG. 4 is a front-left-top perspective view thereof;  
FIG. 5 is a front-right-top perspective view thereof;  
FIG. 6 is a back elevational view thereof;  
FIG. 7 is a bottom plan view thereof;  
FIG. 8 is a left side elevational view of a second embodiment of a bench according to the invention, the right side elevational view being a mirror image thereof;  
FIG. 9 is a top plan view thereof;  
FIG. 10 is a front elevational view thereof;  
FIG. 11 is a front-left-top perspective view thereof;  
FIG. 12 is a front-right-top perspective view thereof;  
FIG. 13 is a back elevational view thereof; and,  
FIG. 14 is a bottom plan view thereof.

**1 Claim, 14 Drawing Sheets**



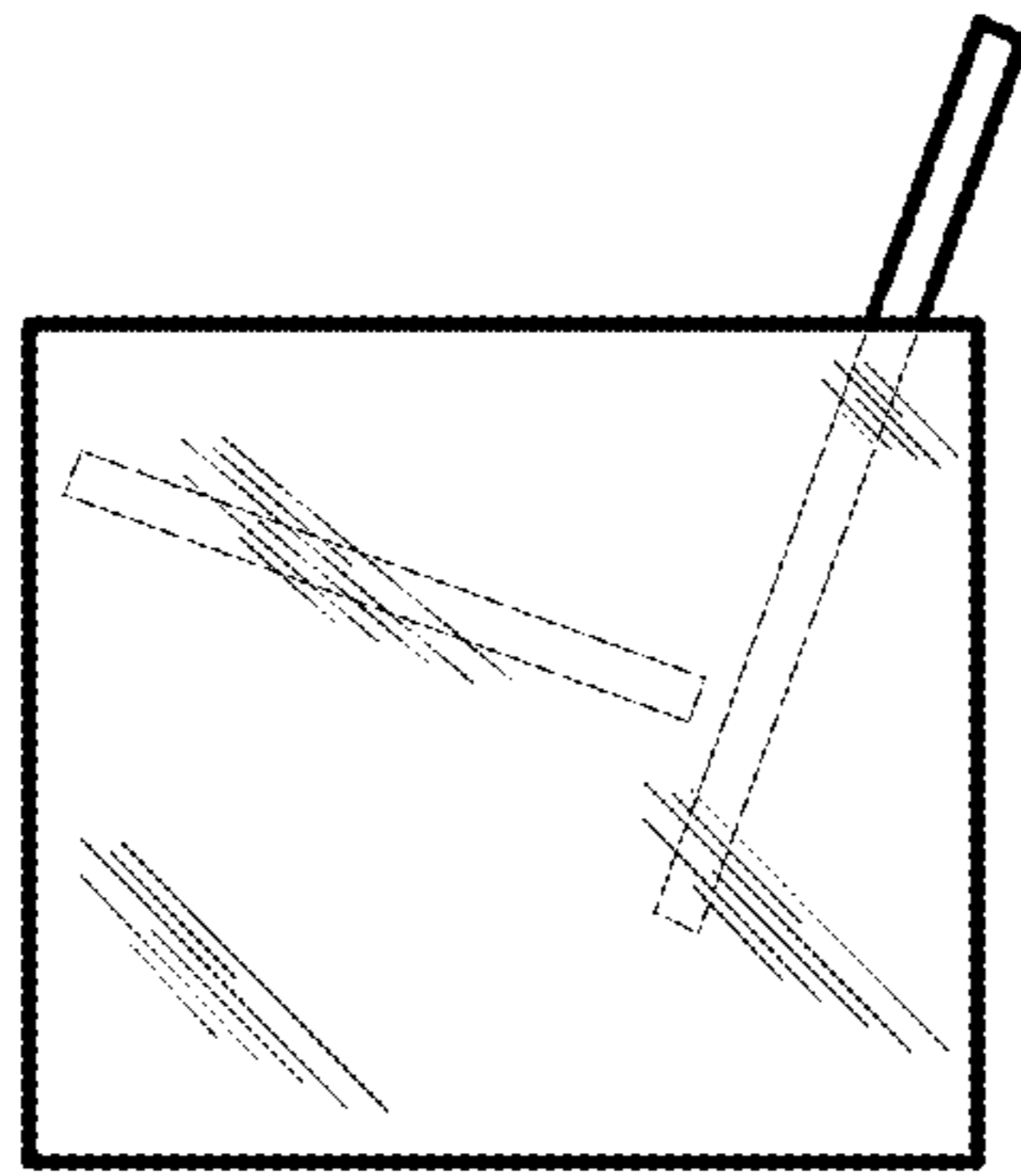


Fig 1

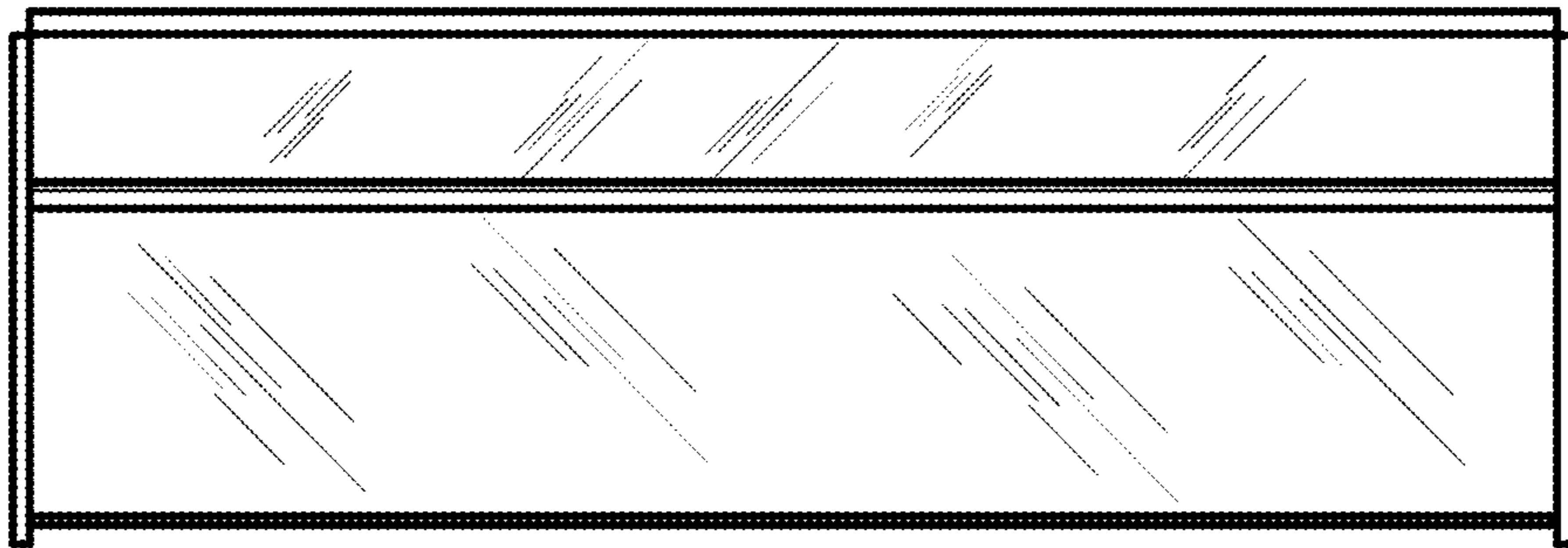


Fig 2

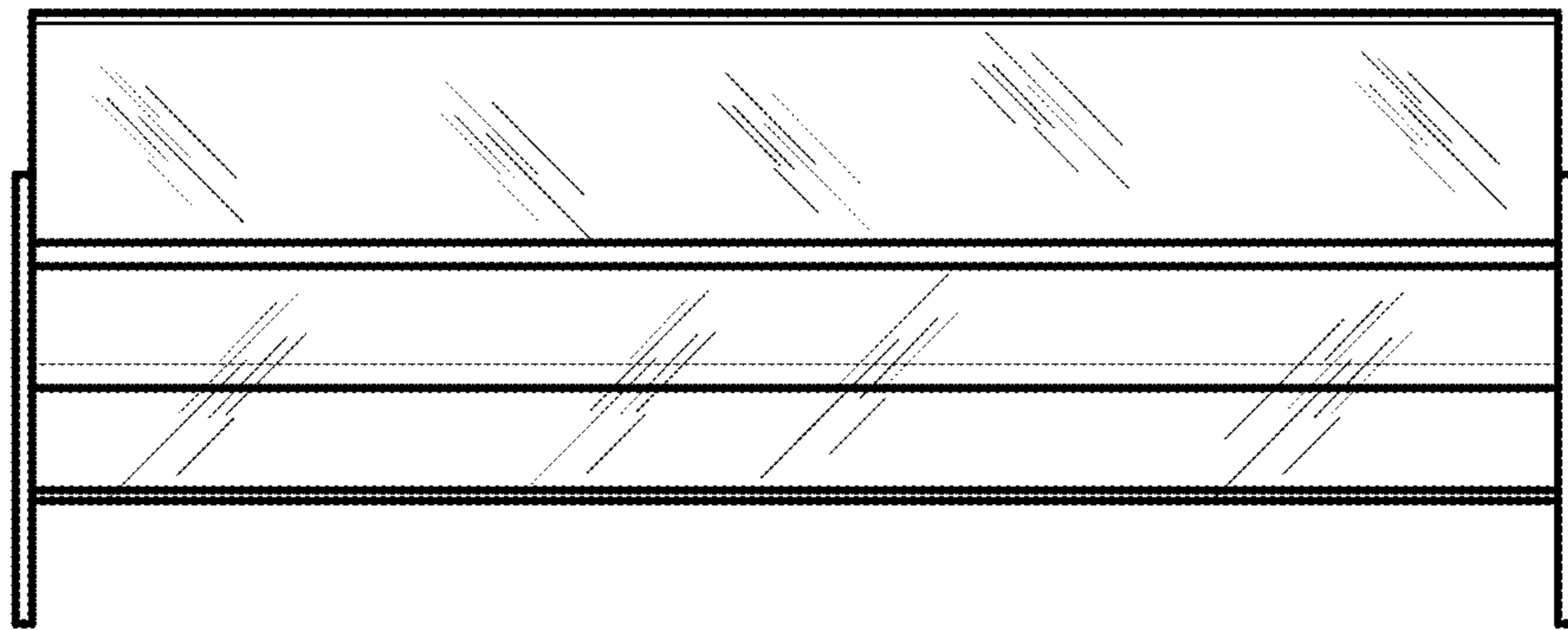


Fig 3

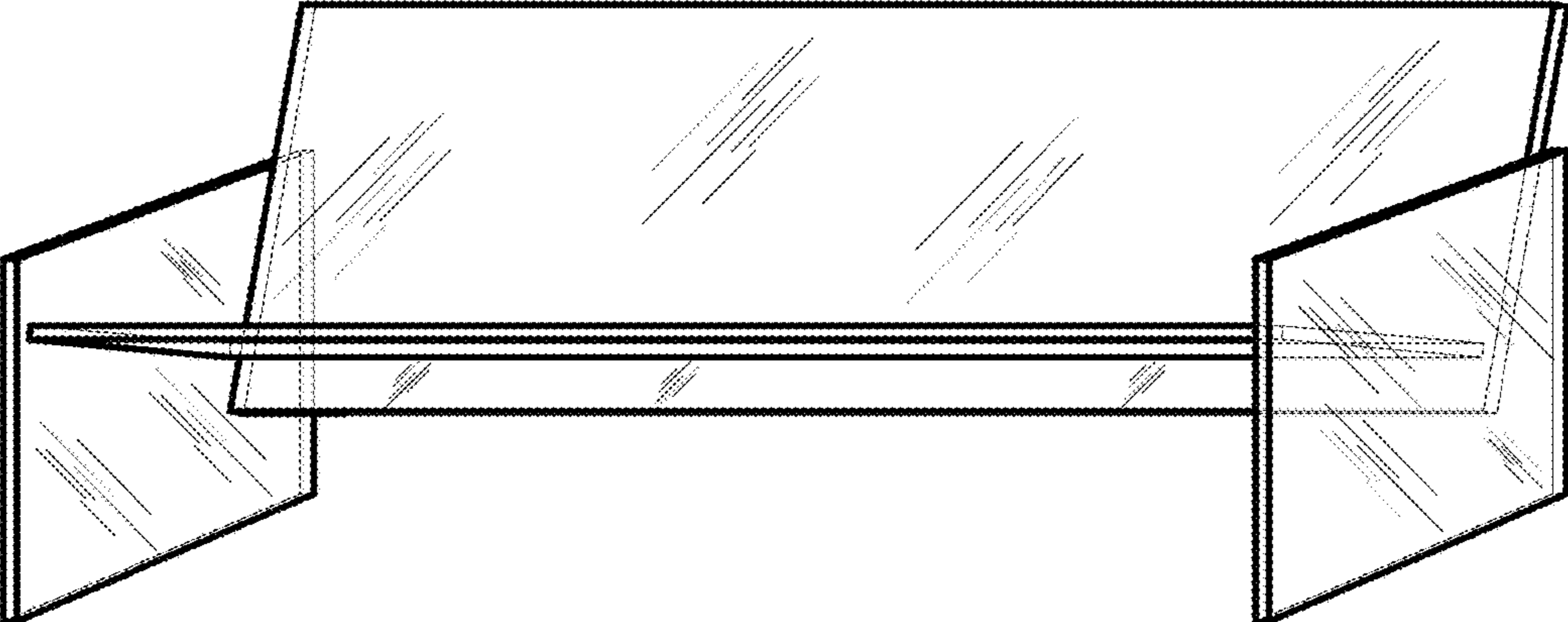


Fig 4

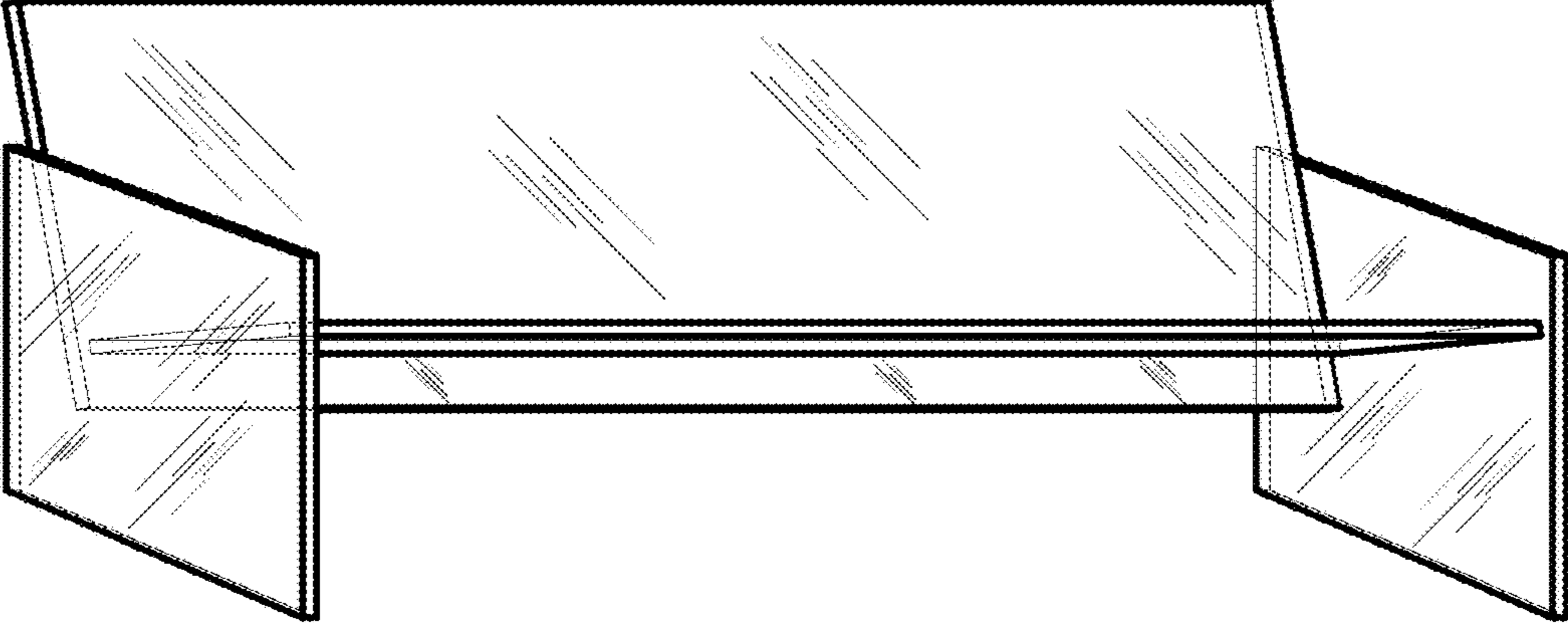


Fig 5

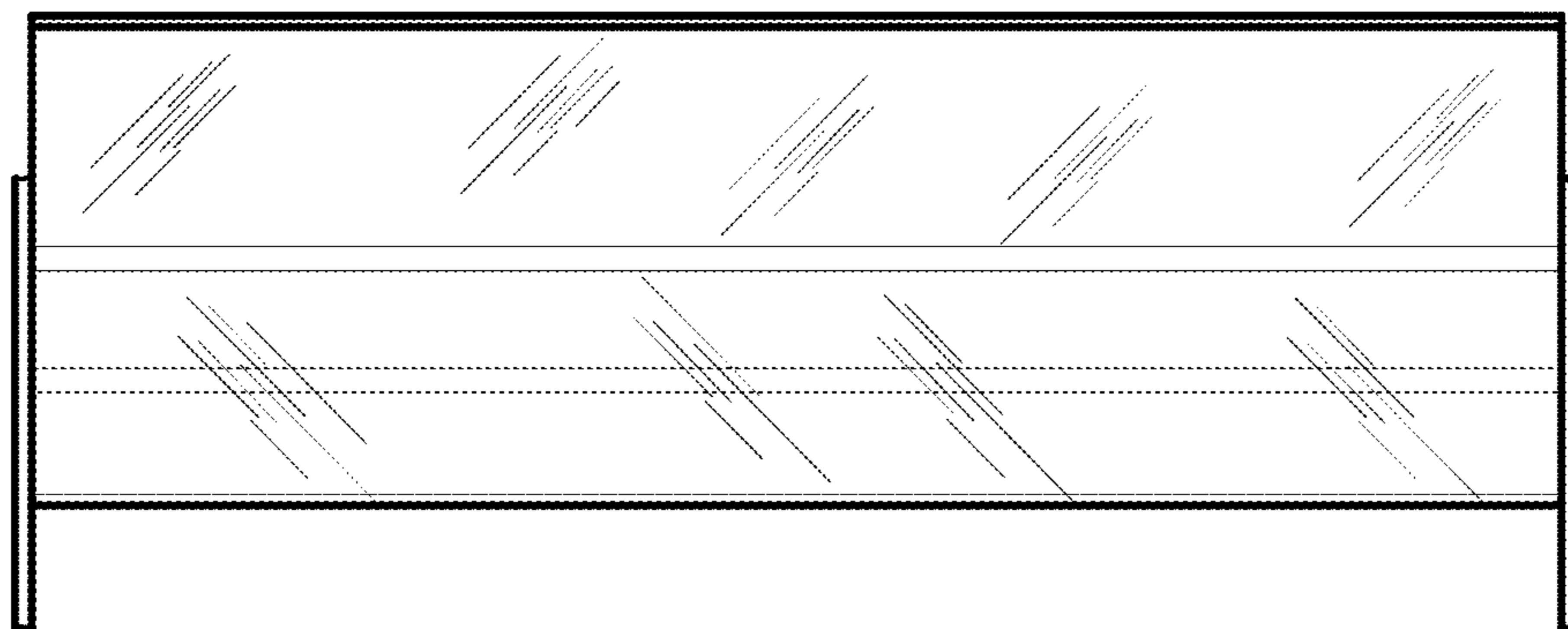


Fig 6

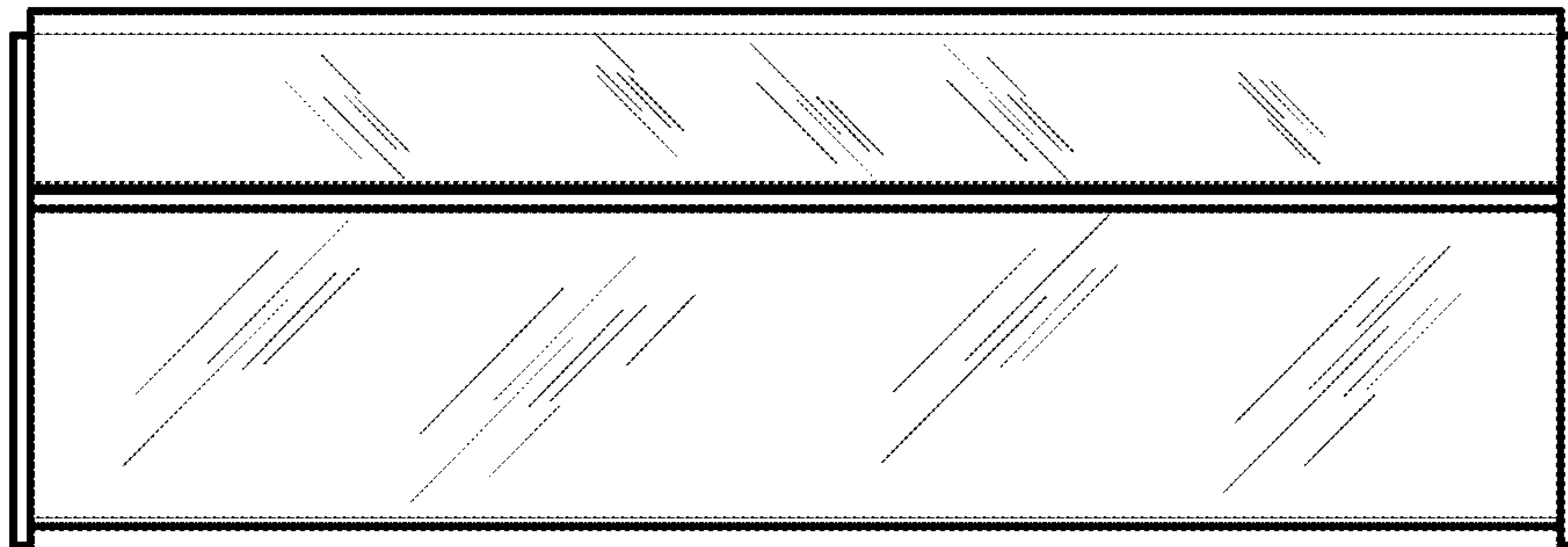


Fig 7



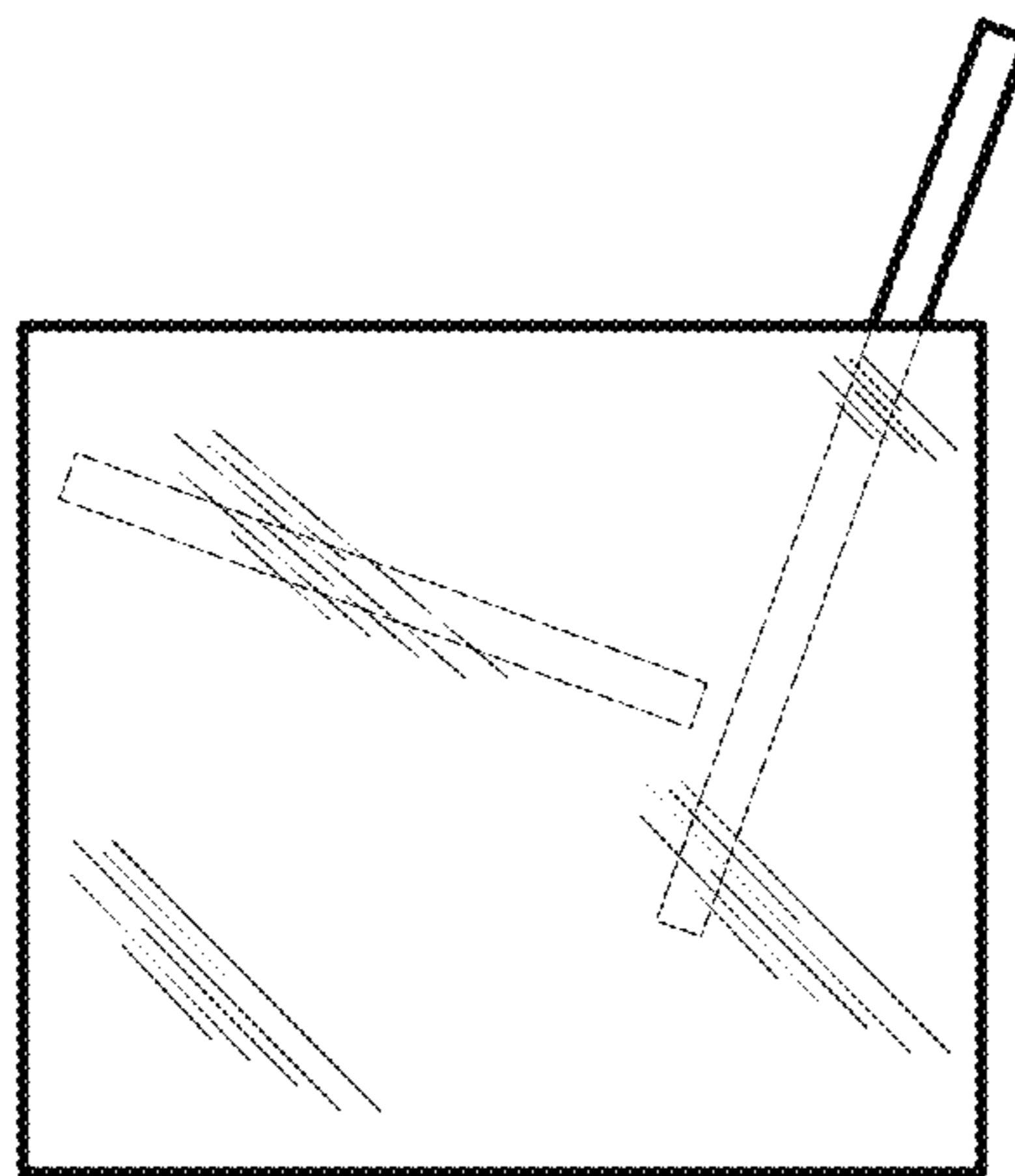


FIG. 8

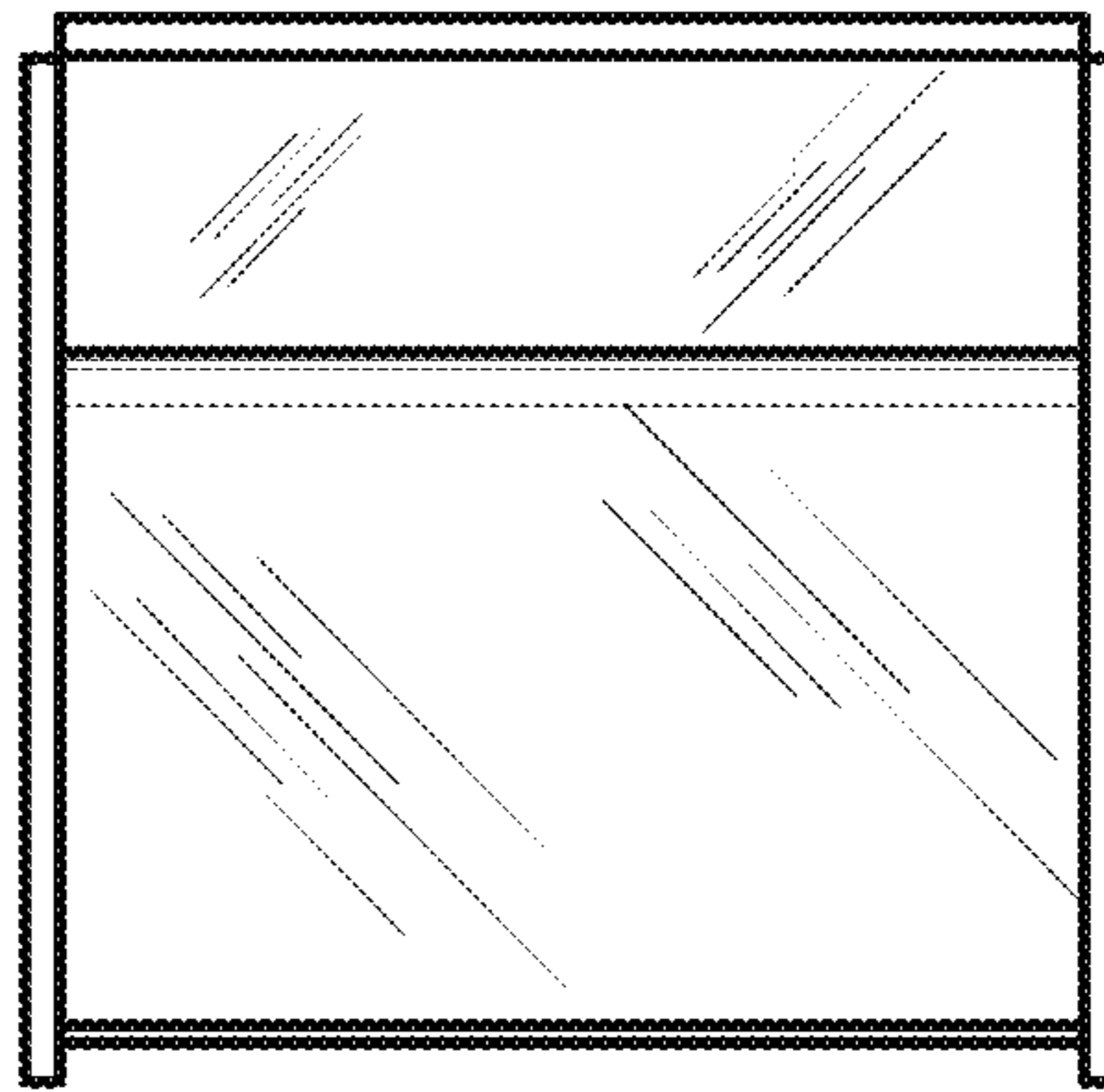


FIG. 9

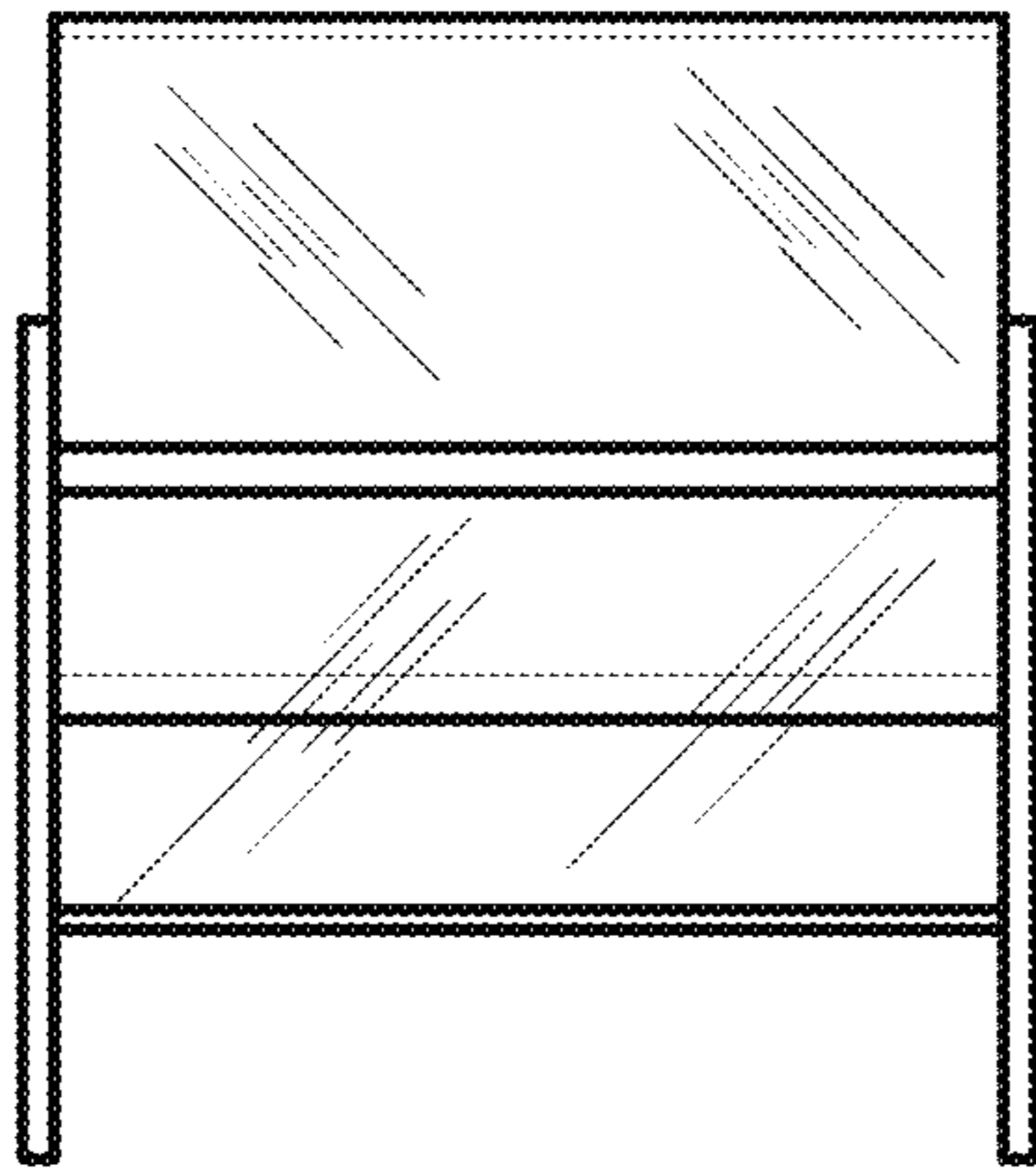


FIG. 10

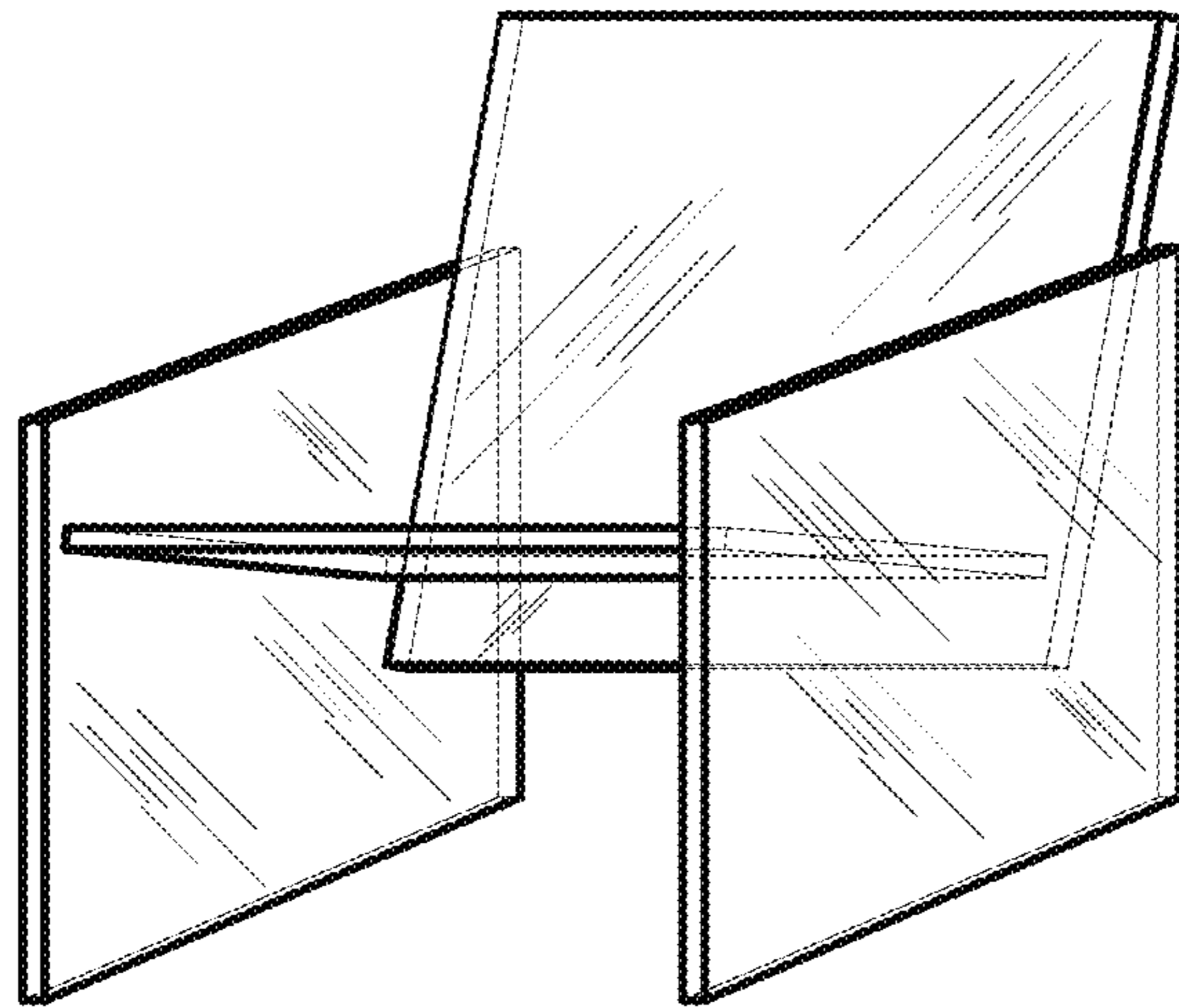


FIG. 11

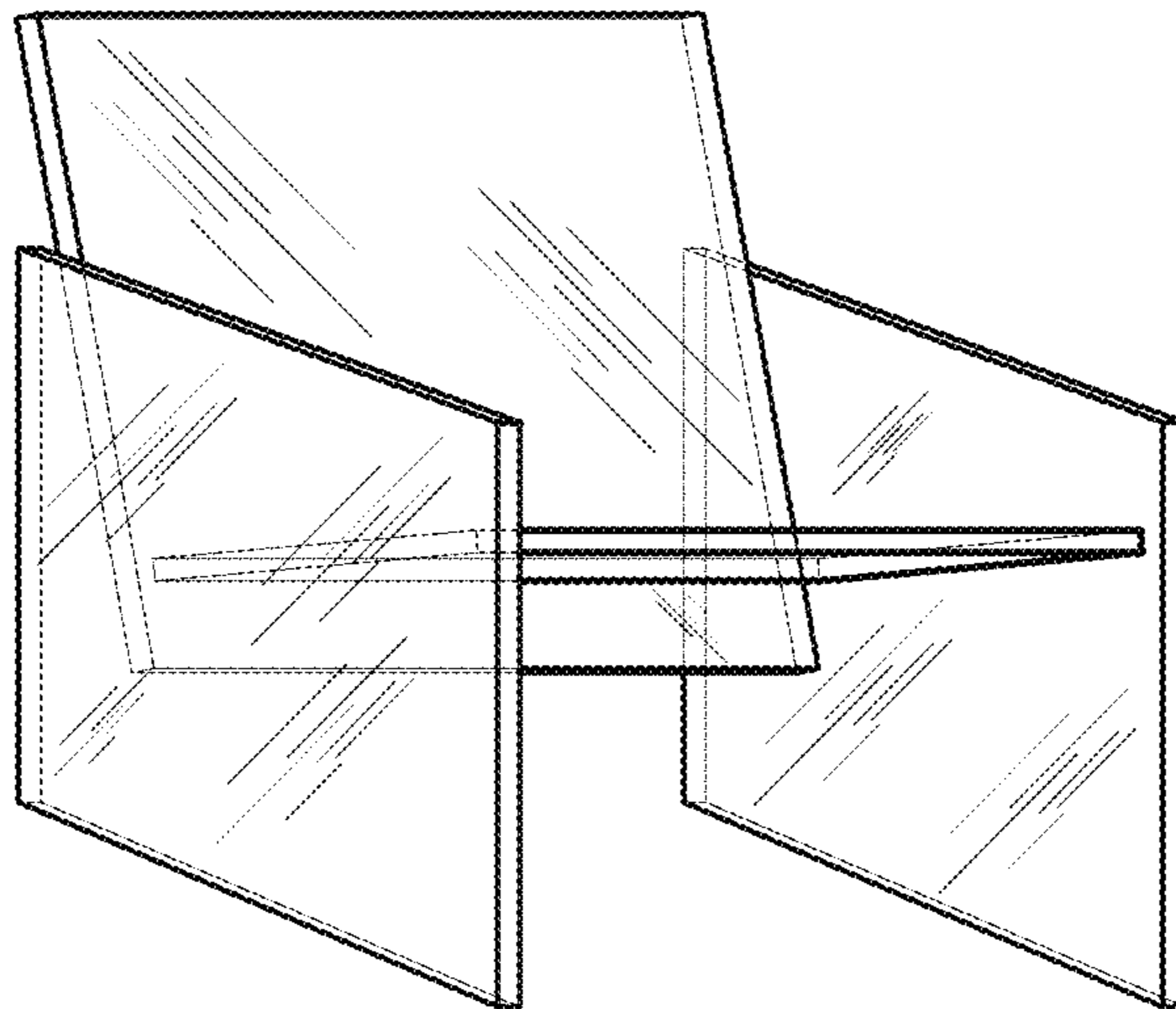


FIG. 12

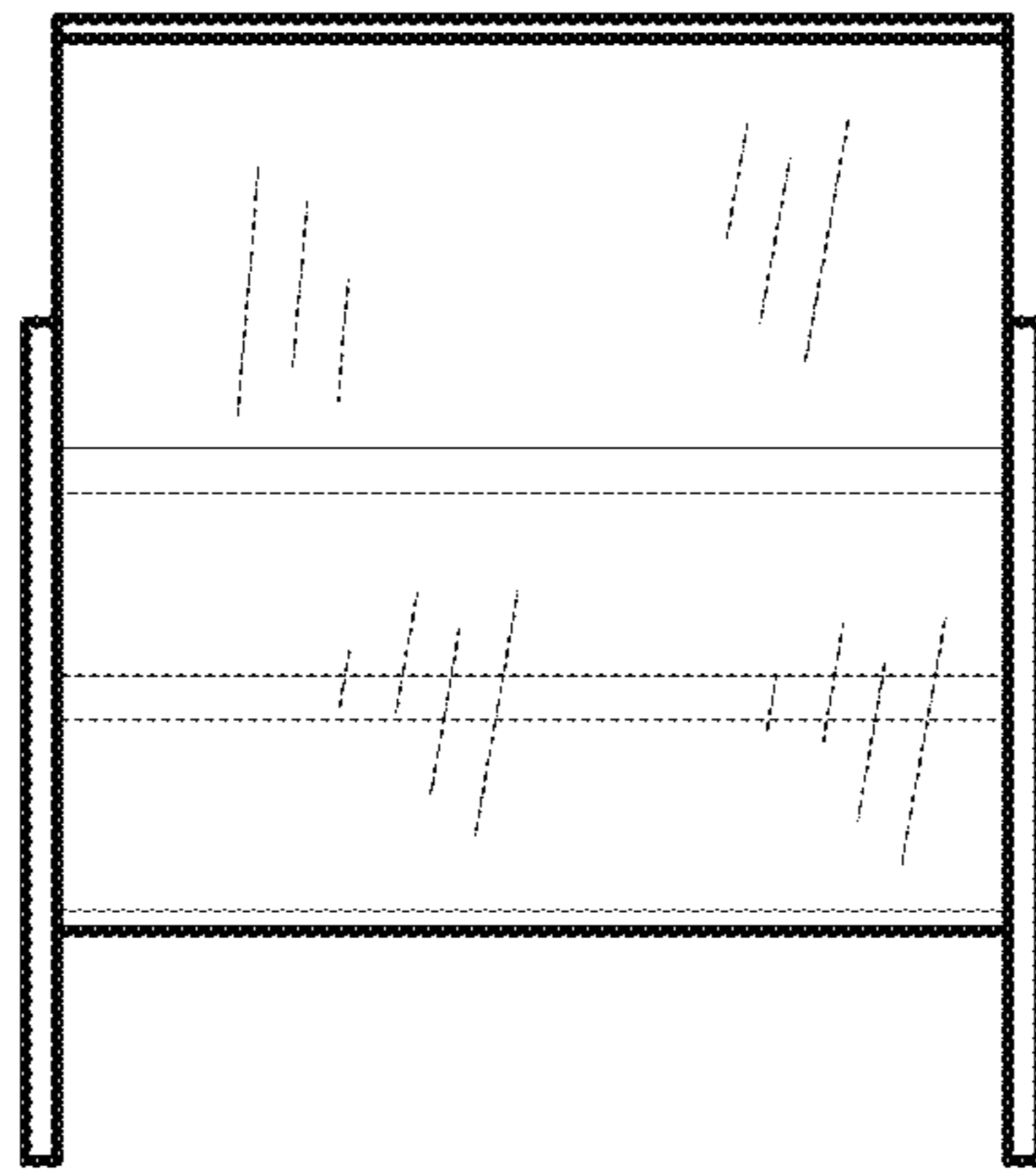


FIG. 13

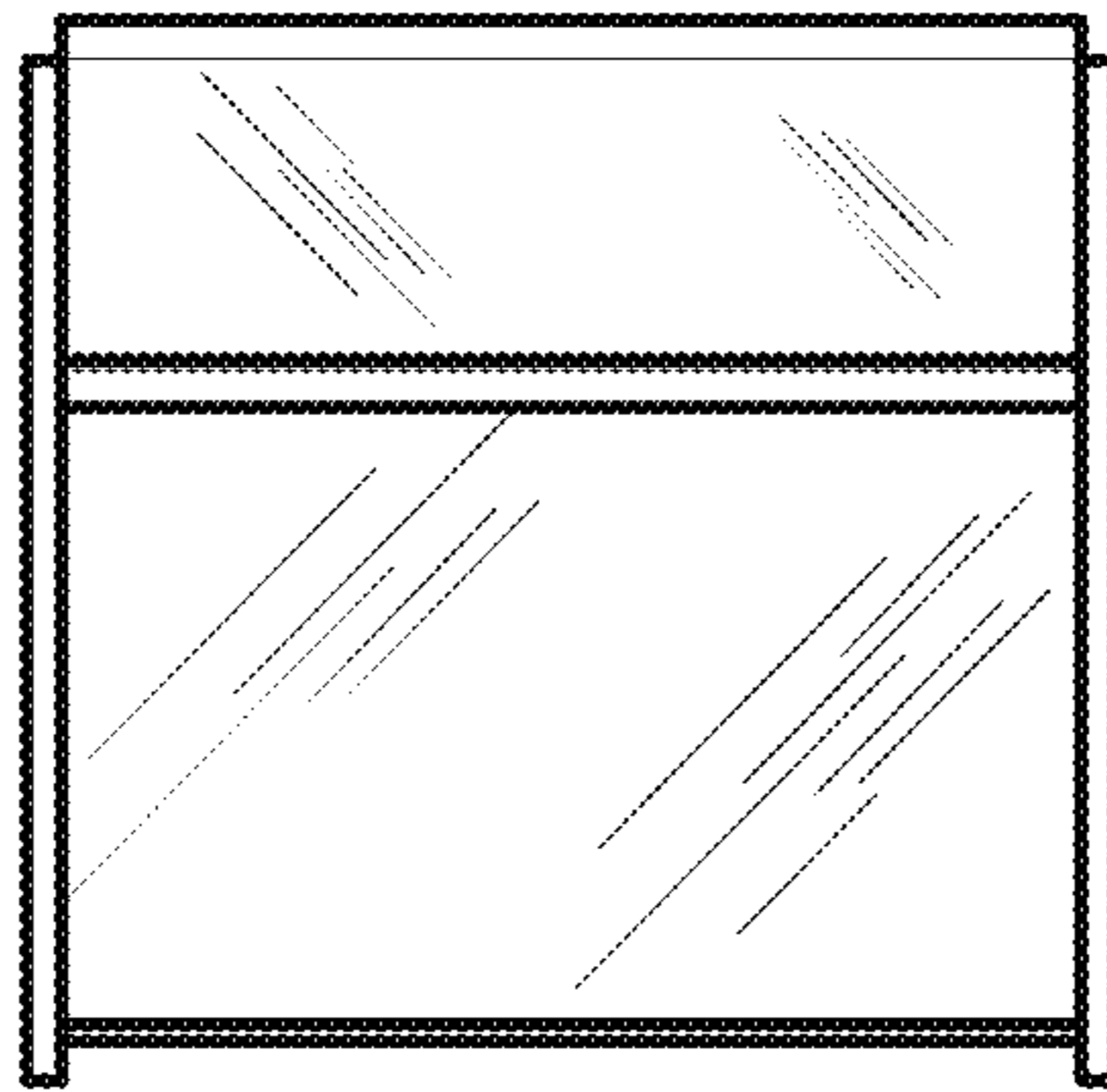


FIG. 14