



US00D793112S

(12) **United States Design Patent**
Webb

(10) **Patent No.:** **US D793,112 S**

(45) **Date of Patent:** **** Aug. 1, 2017**

(54) **CHAIR**

(71) Applicant: **Roger Webb**, London (GB)

(72) Inventor: **Roger Webb**, London (GB)

(**) Term: **15 Years**

(21) Appl. No.: **29/552,094**

(22) Filed: **Jan. 20, 2016**

(30) **Foreign Application Priority Data**

Jul. 24, 2015 (EM) 001437537

(51) **LOC (10) Cl.** **06-01**

(52) **U.S. Cl.**
USPC **D6/366**

(58) **Field of Classification Search**

USPC D6/334-336, 364, 365, 366, 374, 379,
D6/380, 716, 716.1, 716.2, 716.4

CPC .. A47C 7/38; A47C 7/022; A47C 7/40; A47C
7/18; A47C 7/004; A47C 4/028; A47C
7/54

See application file for complete search history.

(56) **References Cited**

U.S. PATENT DOCUMENTS

D509,969 S * 9/2005 Loew D6/366
D534,364 S * 1/2007 Loew D6/366
D542,580 S * 5/2007 Loew D6/366
D543,396 S * 5/2007 Loew D6/716.4

D559,573 S * 1/2008 Igarashi D6/366
D613,087 S * 4/2010 Fujita D6/366
D656,329 S * 3/2012 Nakamura D6/366
D665,589 S * 8/2012 Wagner D6/366
D670,927 S * 11/2012 Hurford D6/366
D688,483 S * 8/2013 Aratani D6/366
D707,976 S * 7/2014 Smith D6/366
D724,367 S * 3/2015 Sander D6/366
D734,971 S * 7/2015 Izawa D6/716.4

* cited by examiner

Primary Examiner — Mimosa De

(74) *Attorney, Agent, or Firm* — The Belles Group, P.C.

(57) **CLAIM**

I claim the ornamental design for a chair, as shown and described.

DESCRIPTION

FIG. 1 is a front perspective view of a chair showing my new design;

FIG. 2 is a rear perspective view thereof;

FIG. 3 is a front view thereof;

FIG. 4 is a rear view thereof;

FIG. 5 is a right-side view thereof;

FIG. 6 is a left-side view thereof;

FIG. 7 is a top view thereof; and,

FIG. 8 is a bottom view thereof.

The broken lines in the drawings are included to show portions of the article that form no part of the claimed design.

1 Claim, 8 Drawing Sheets

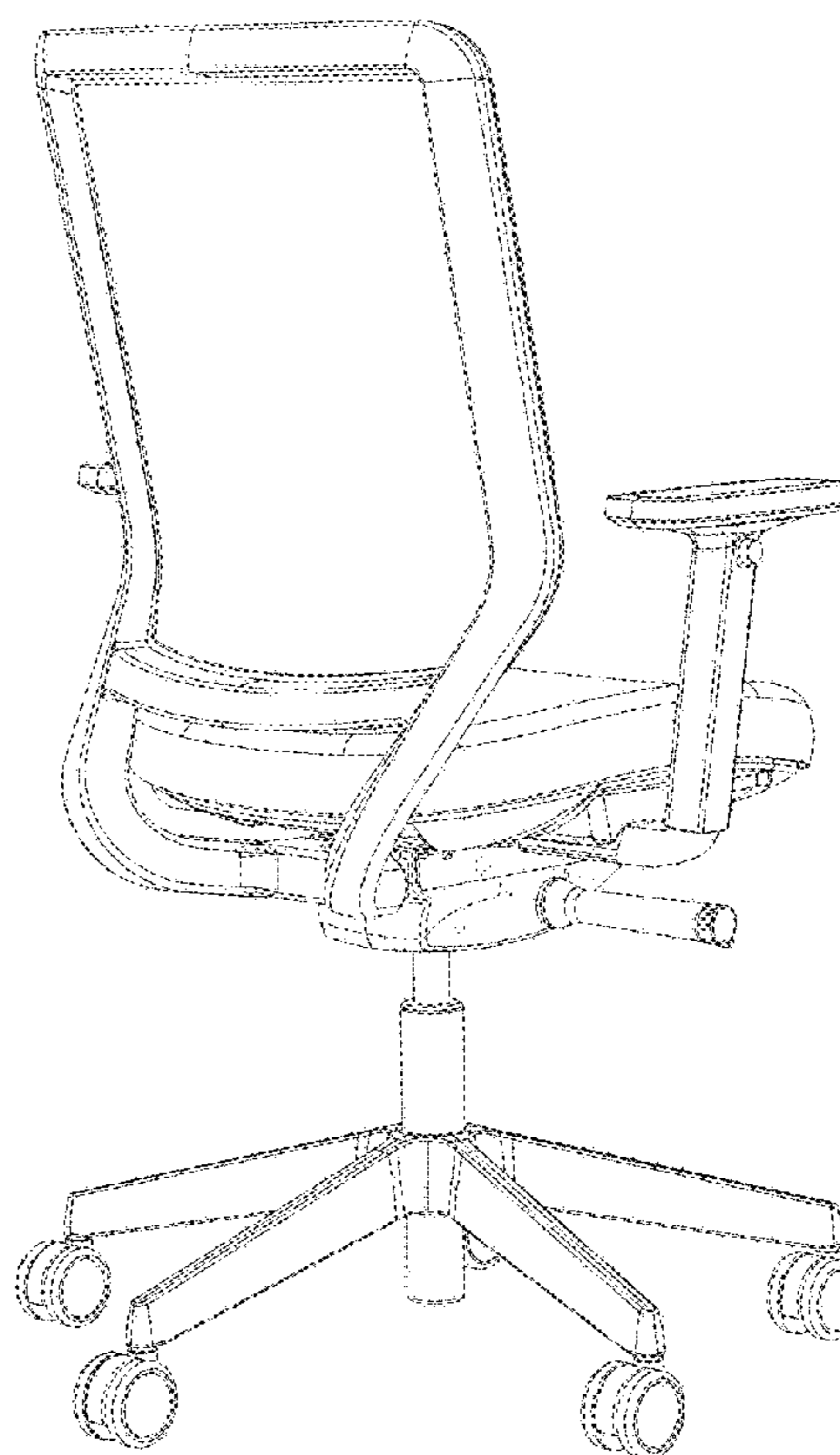
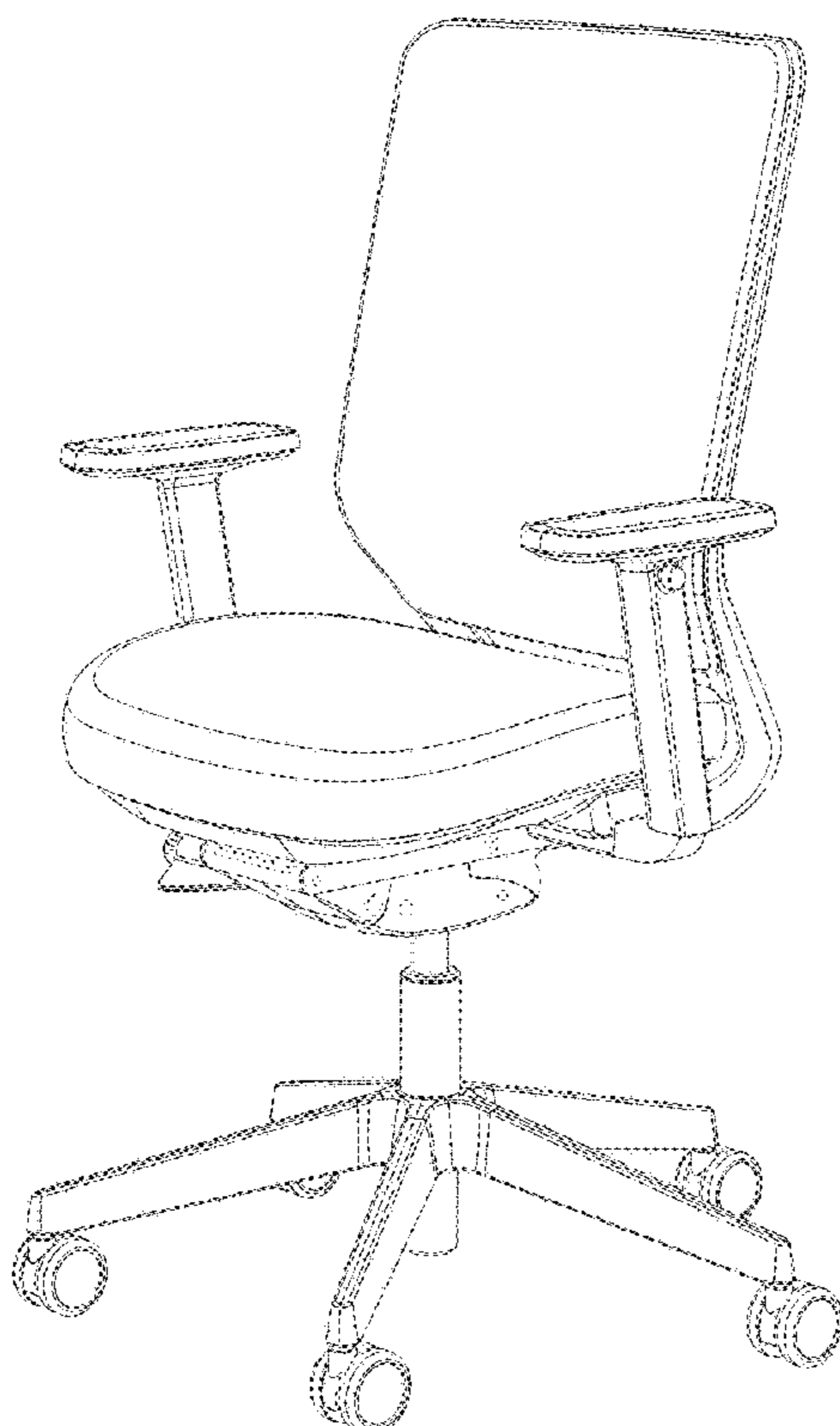




FIG. 1



FIG. 2

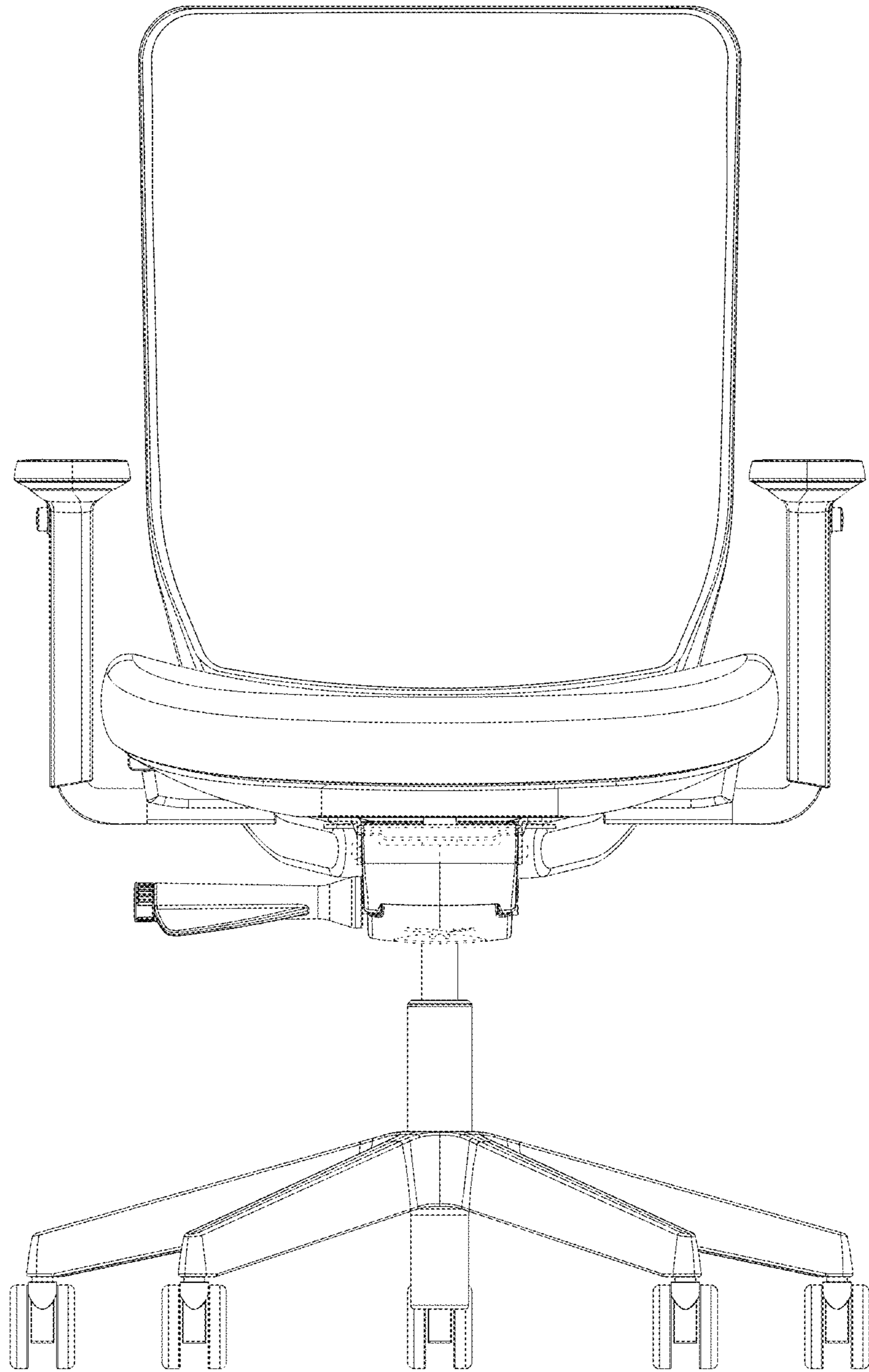


FIG. 3

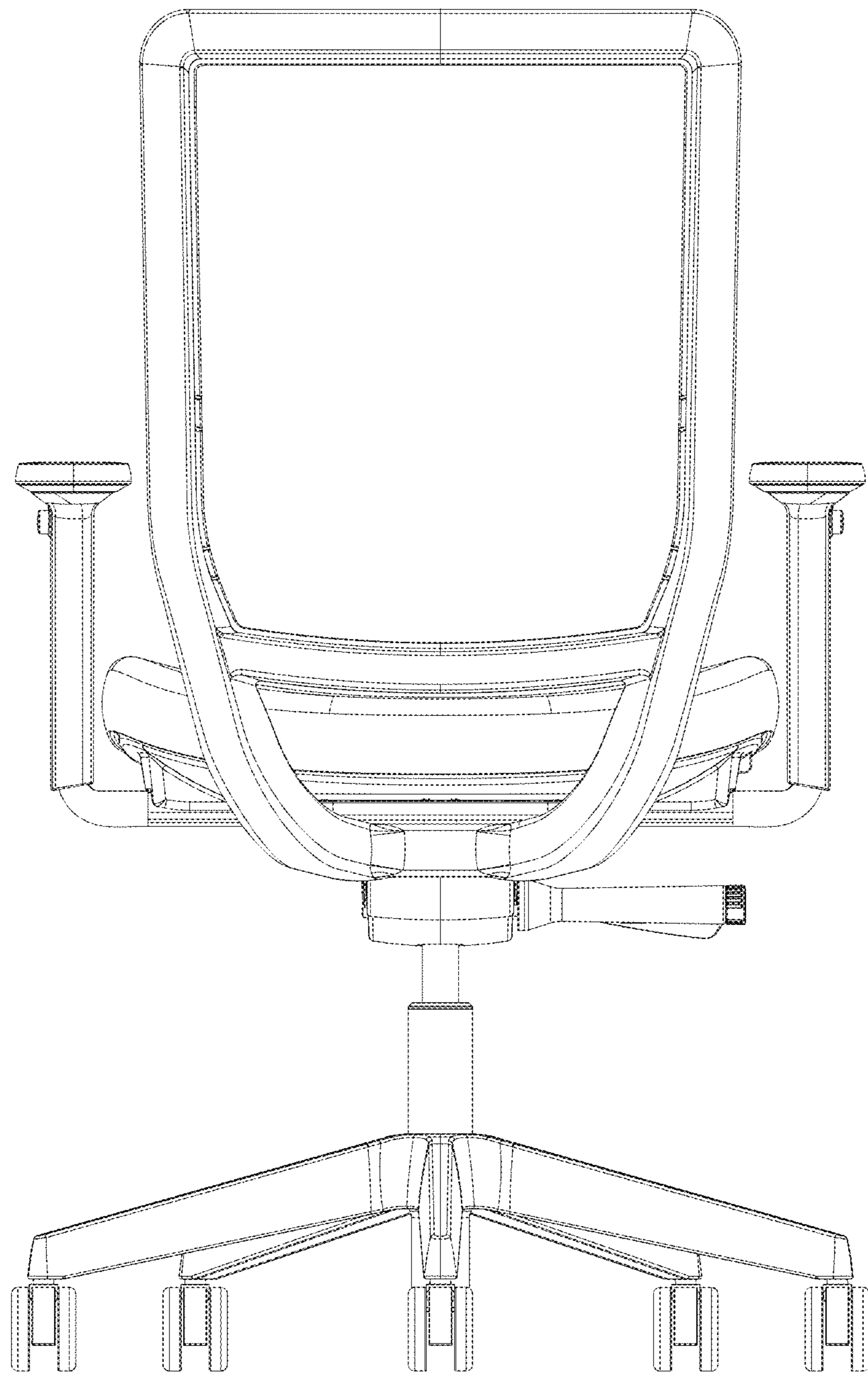


FIG. 4

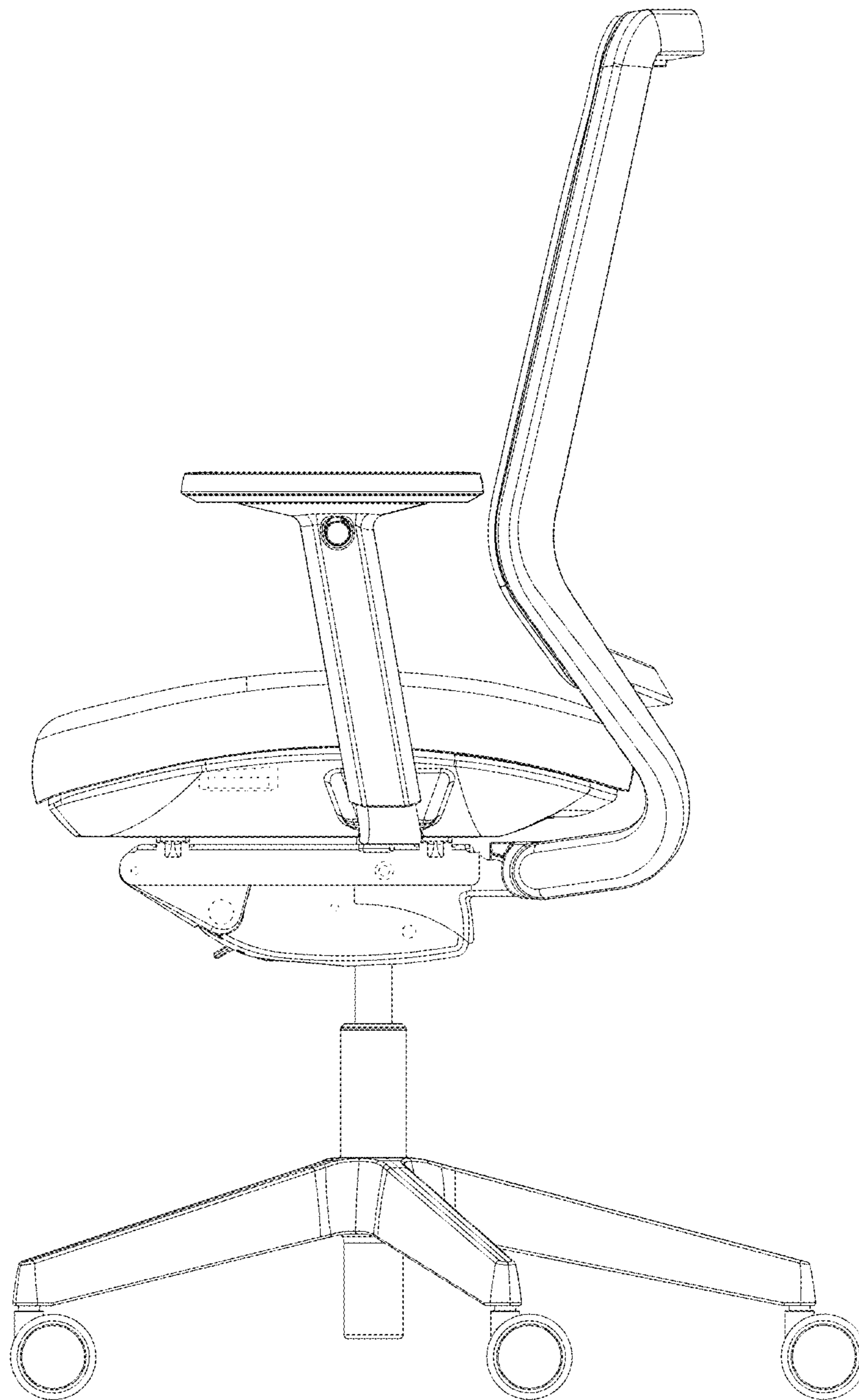


FIG. 5

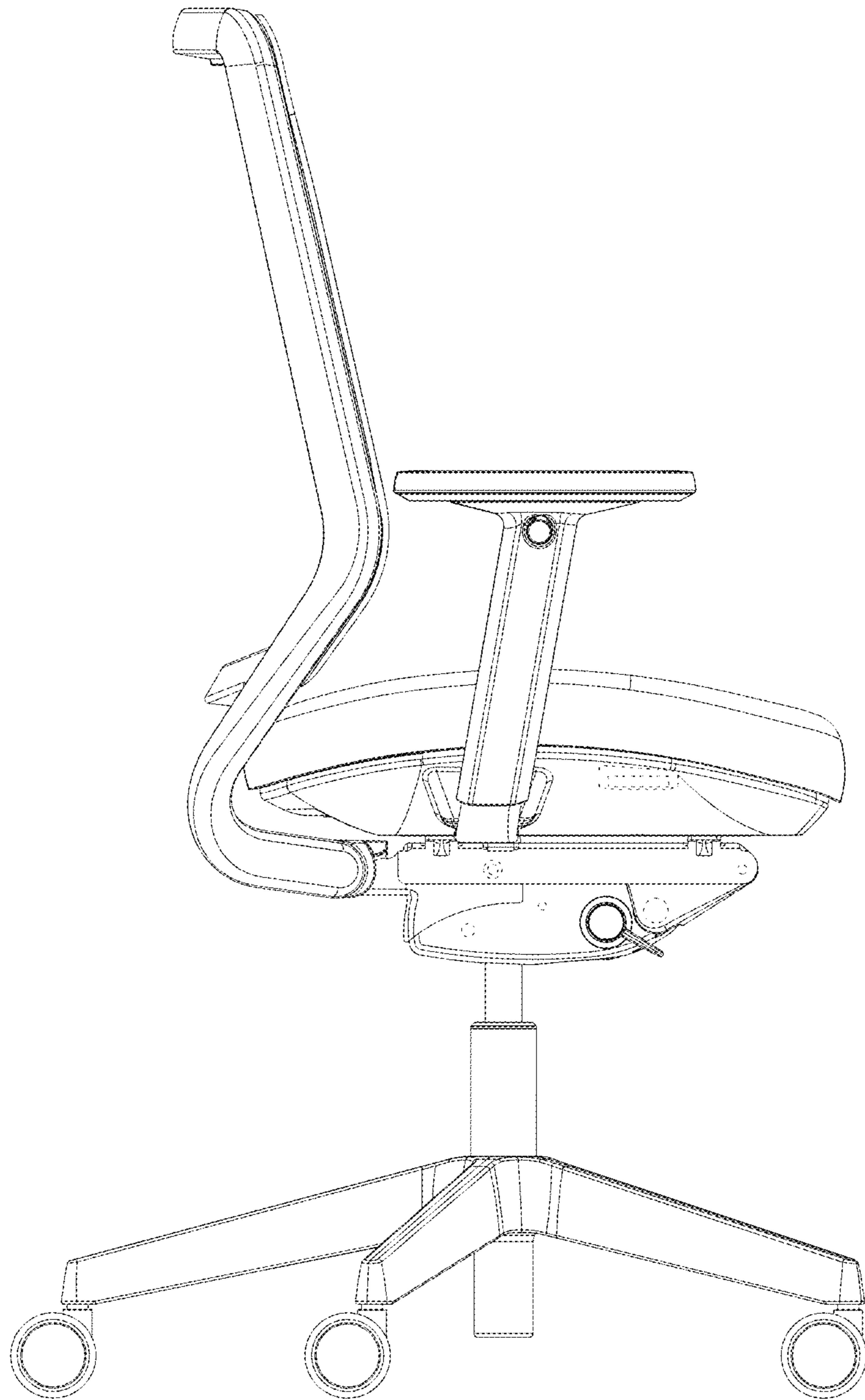


FIG. 6

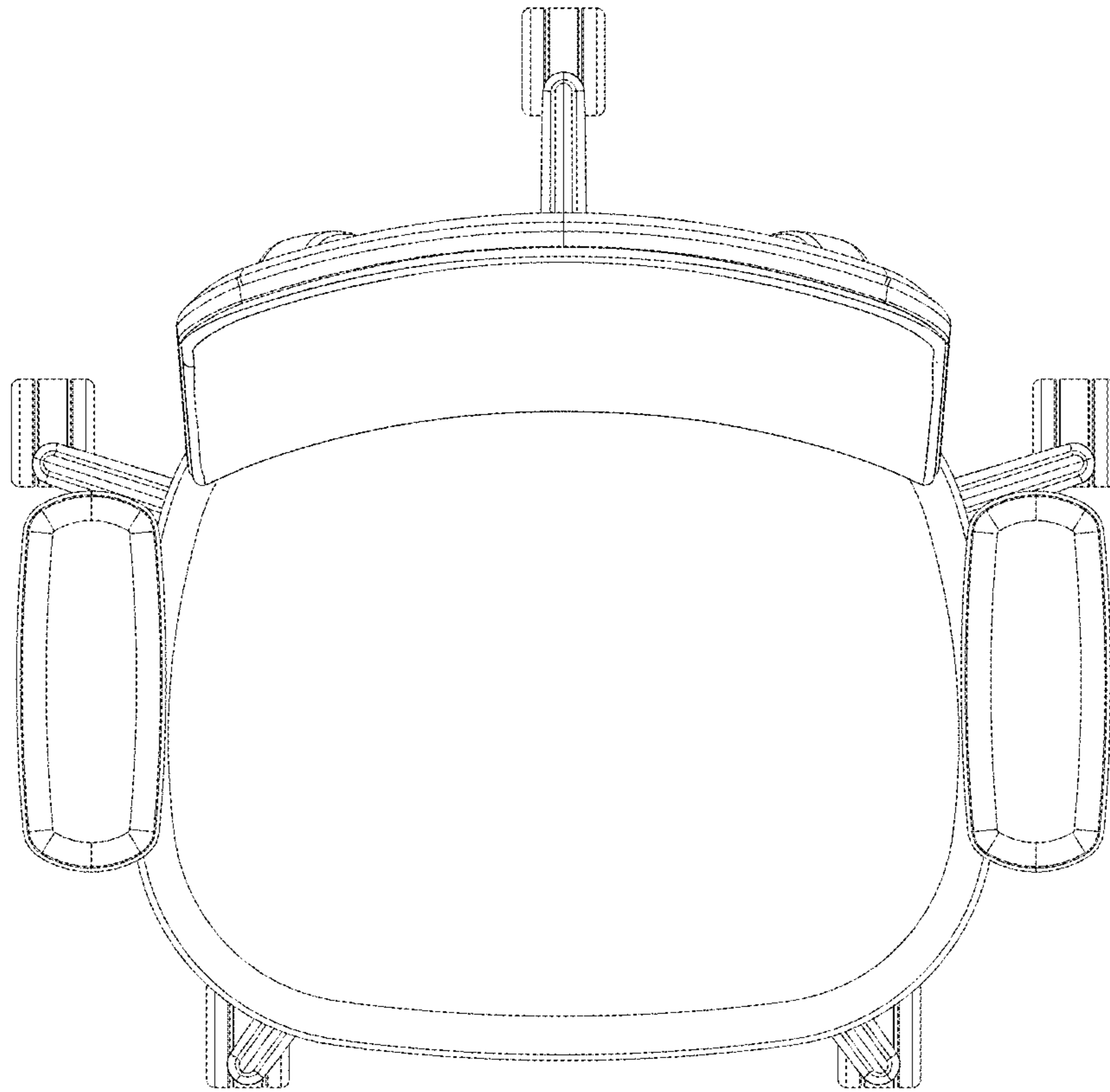


FIG. 7

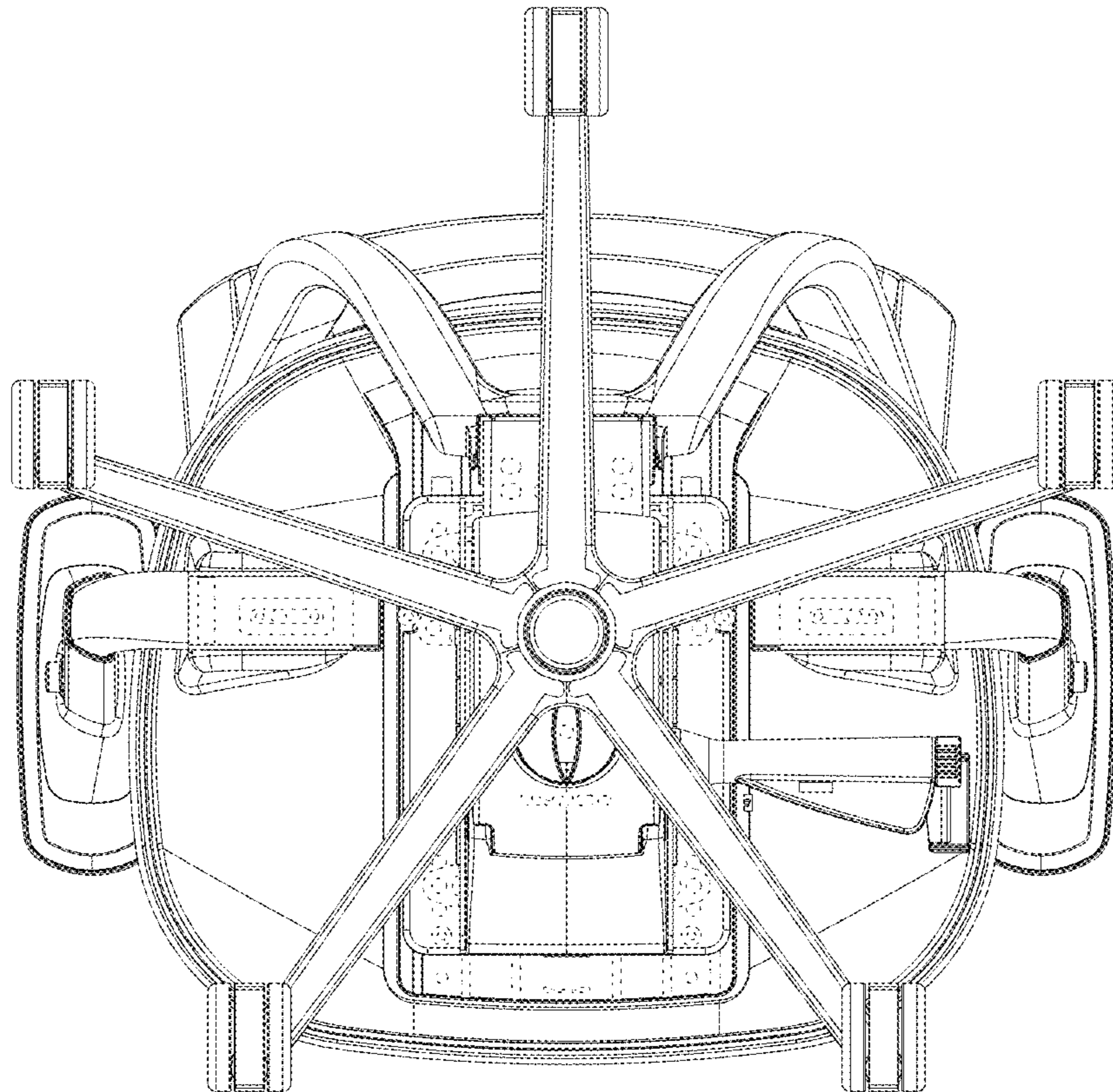


FIG. 8