

US00D793110S

(12) **United States Design Patent** (10) **Patent No.:** **US D793,110 S**
Patir (45) **Date of Patent:** **** Aug. 1, 2017**

(54) **SEATING FURNITURE**

(71) Applicant: **Seref Patir**, Munich (DE)

(72) Inventor: **Seref Patir**, Munich (DE)

(**) Term: **15 Years**

(21) Appl. No.: **29/569,478**

(22) Filed: **Jun. 28, 2016**

(30) **Foreign Application Priority Data**

Jan. 29, 2016 (EM) 002964114-0003

(51) **LOC (10) Cl.** **06-01**

(52) **U.S. Cl.**
USPC **D6/364**; D6/356

(58) **Field of Classification Search**
USPC D6/334-336, 356, 364, 365, 366, 374,
D6/379, 716, 716.1, 716.3, 716.4, 716.5
CPC A47C 3/18; A47C 4/028; A47C 7/004;
A47C 7/022; A47C 7/18; A47C 7/24;
B60N 2/46; B60N 2/48; B60N 2/4802
See application file for complete search history.

(56) **References Cited**

U.S. PATENT DOCUMENTS

3,642,320 A * 2/1972 Ward A47C 3/18
297/344.18
D315,255 S * 3/1991 Beermann D6/356

D336,791 S * 6/1993 Stidd D6/356
5,297,849 A * 3/1994 Chancellor A47C 7/004
297/344.12
D349,820 S * 8/1994 Schaevitz D6/364
D361,674 S * 8/1995 Carter, Sr. D6/335
D372,132 S * 7/1996 Infanti D6/364
D542,547 S * 5/2007 Su D6/366
D612,163 S * 3/2010 Wagener D6/356
D617,104 S * 6/2010 Wagener D6/356
D651,003 S * 12/2011 Fleming D6/356
D651,819 S * 1/2012 Fleming D6/356
D773,197 S * 12/2016 Grimmel D6/356

* cited by examiner

Primary Examiner — Mimosa De

(74) *Attorney, Agent, or Firm* — Baker & Hostetler LLP

(57) **CLAIM**

The ornamental design for a seating furniture, as shown and described.

DESCRIPTION

FIG. 1 is a side perspective view of the seating furniture showing the new design;
FIG. 2 is another side perspective view thereof;
FIG. 3 is a rear perspective view thereof;
FIG. 4 is a left side view thereof;
FIG. 5 is a right side view thereof;
FIG. 6 is a front view thereof; and,
FIG. 7 is a rear view thereof.

1 Claim, 7 Drawing Sheets

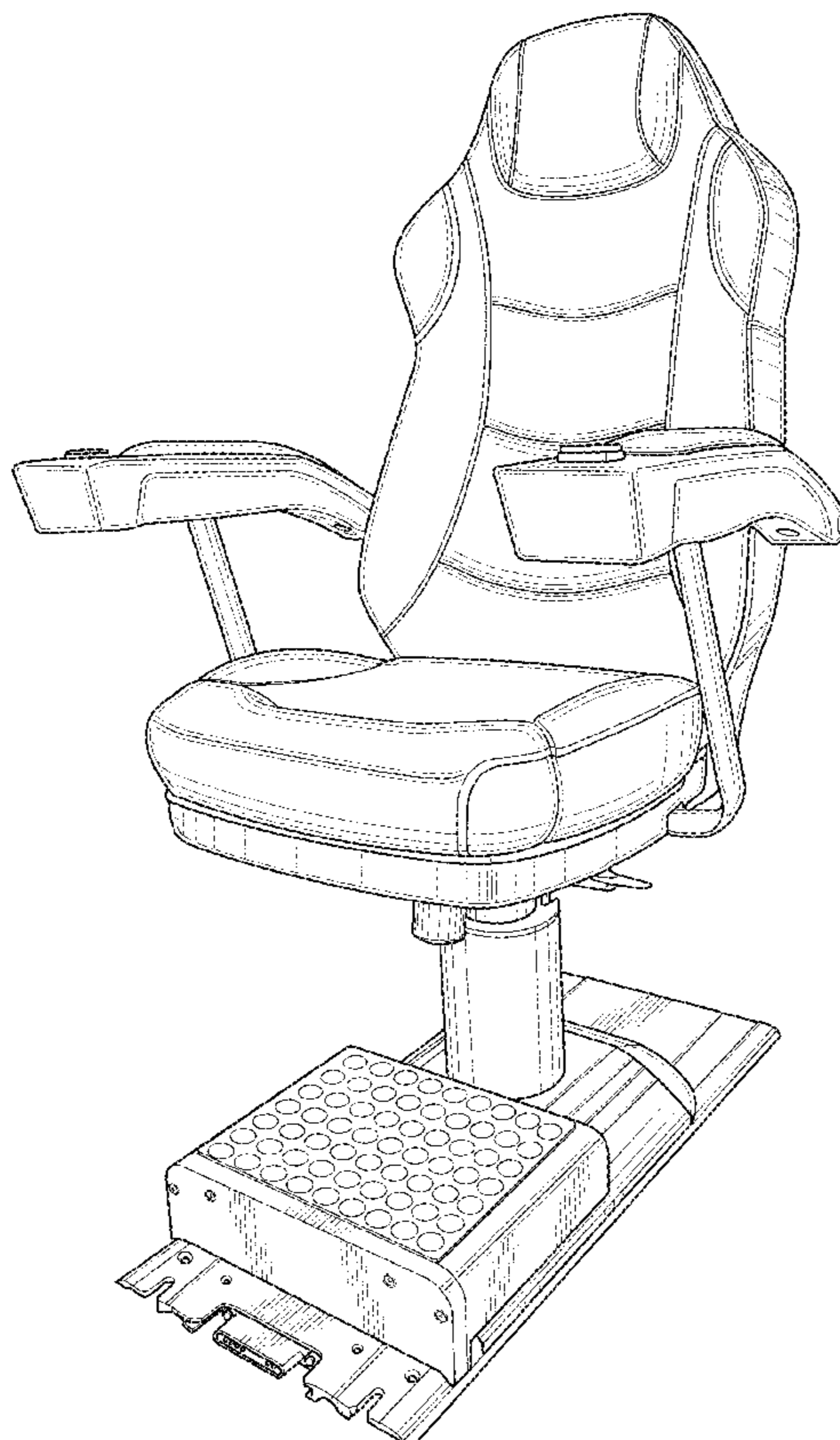




FIG. 1

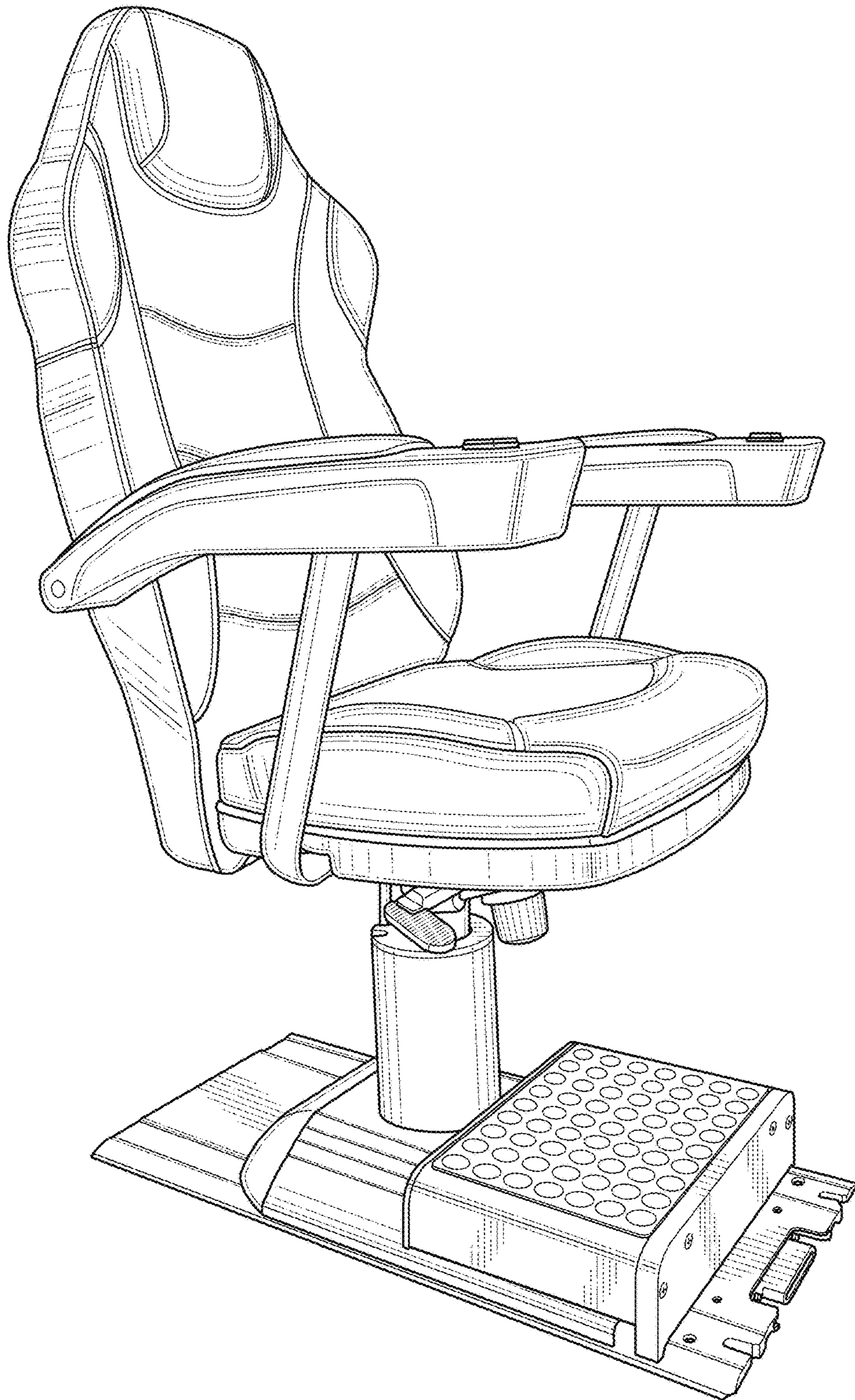


FIG. 2

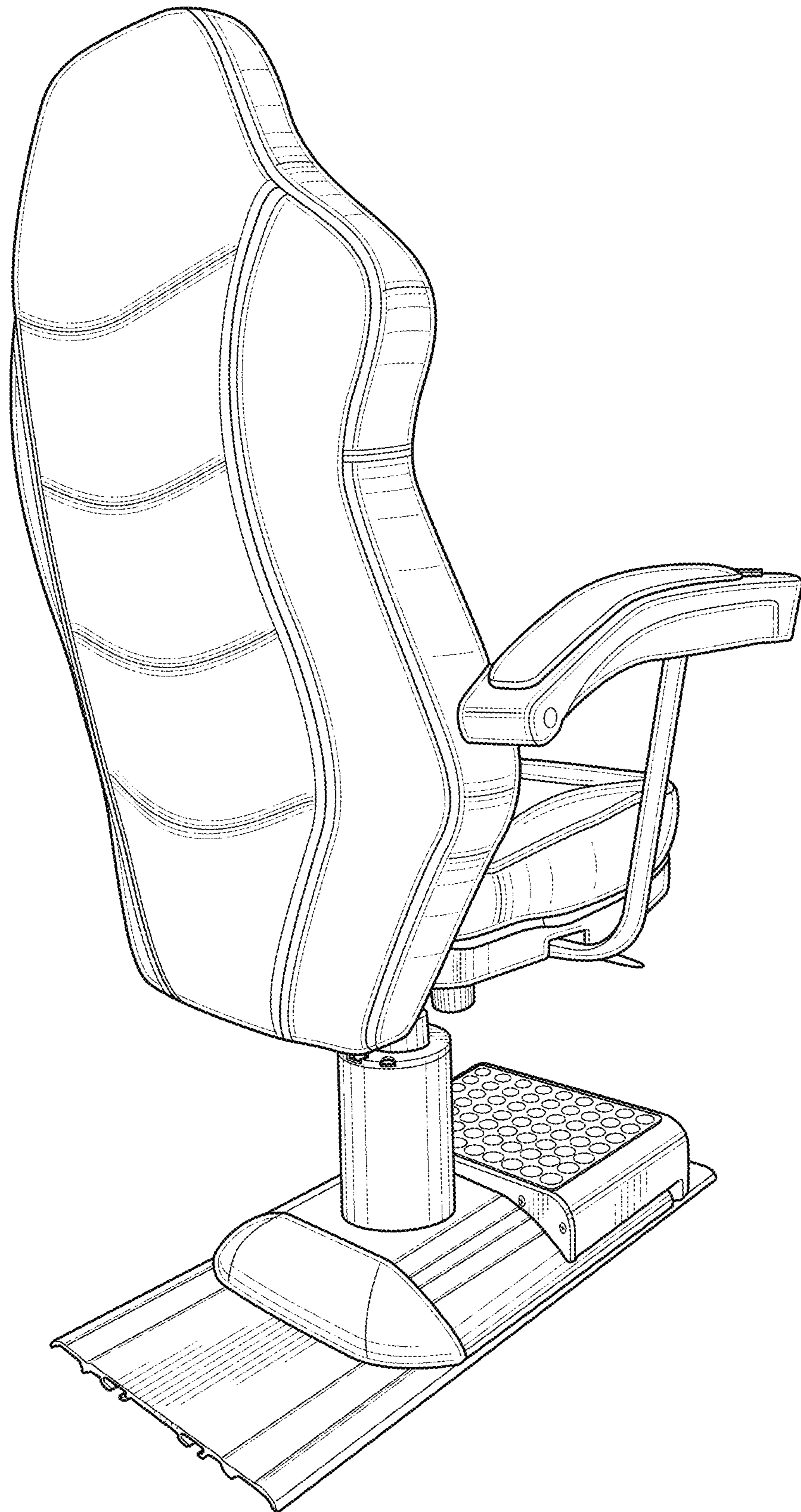


FIG. 3

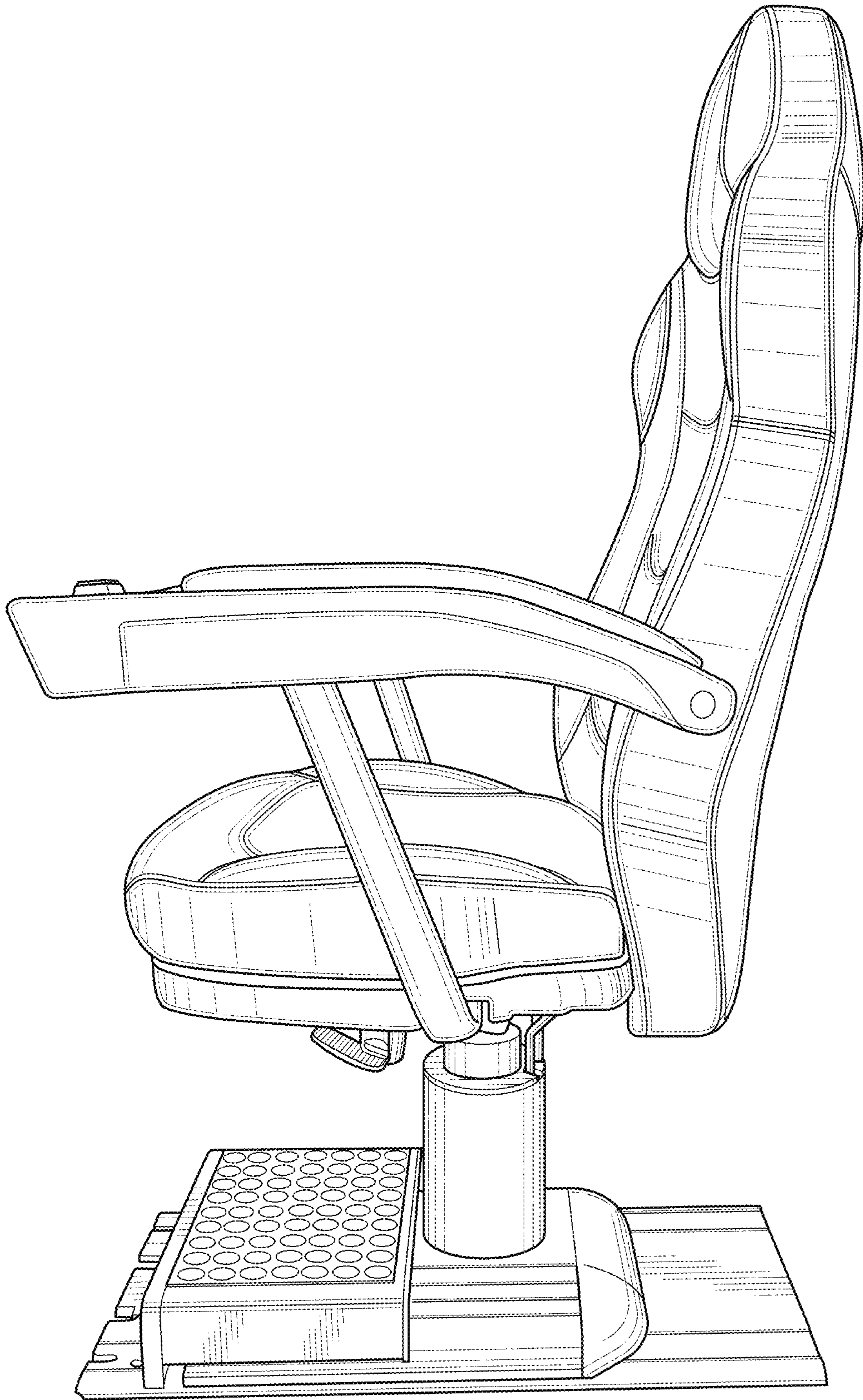


FIG. 4

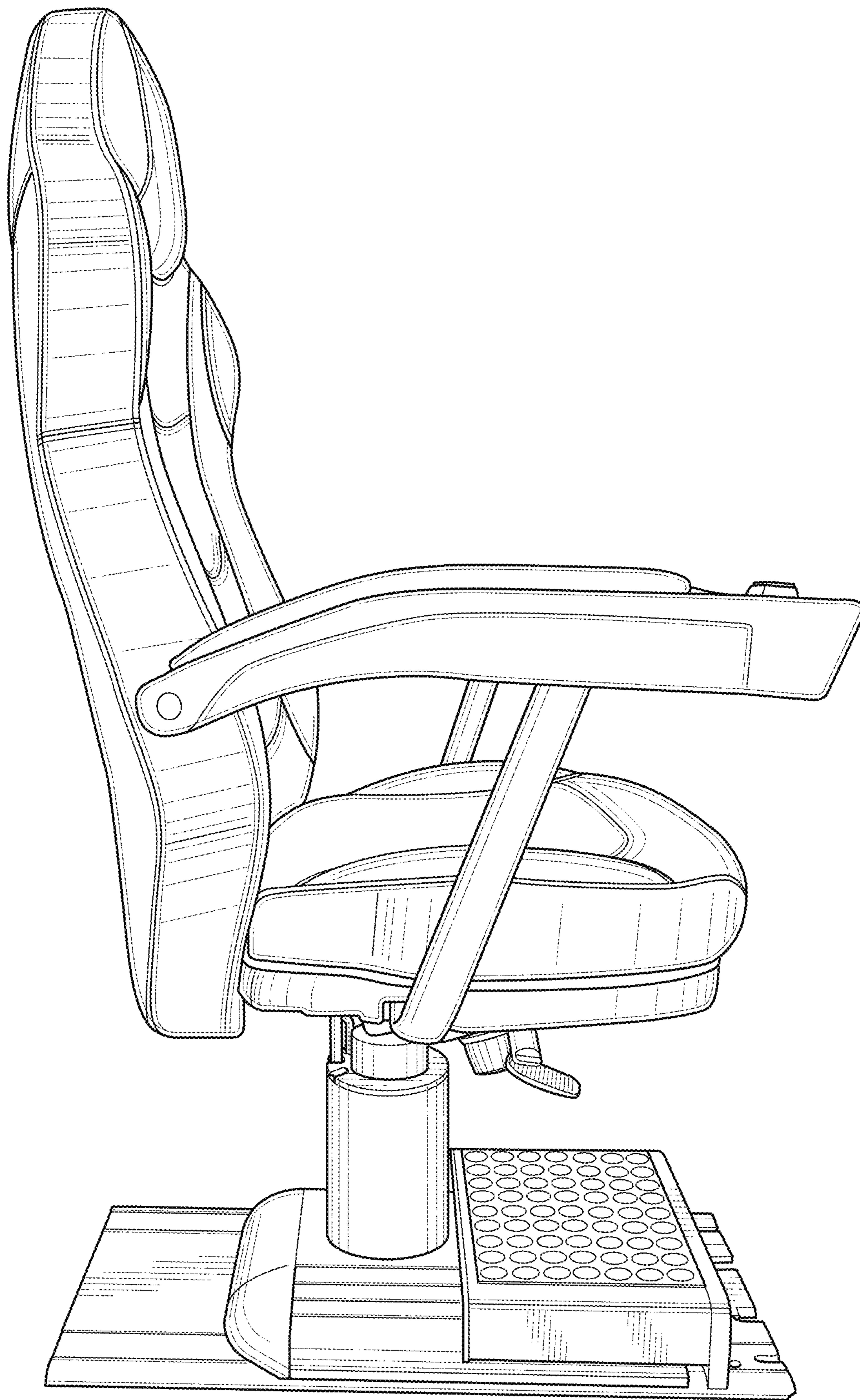


FIG. 5

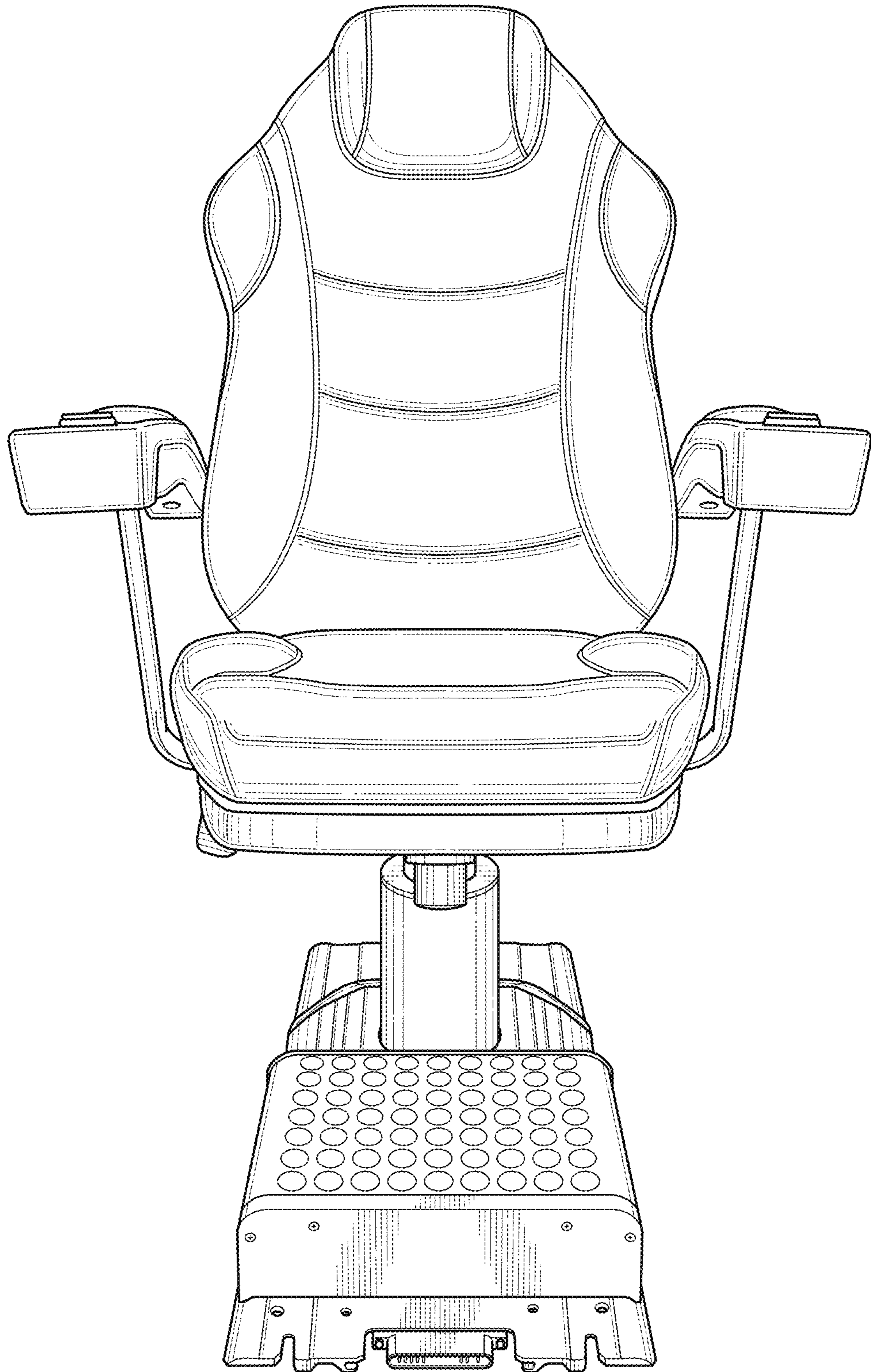


FIG. 6

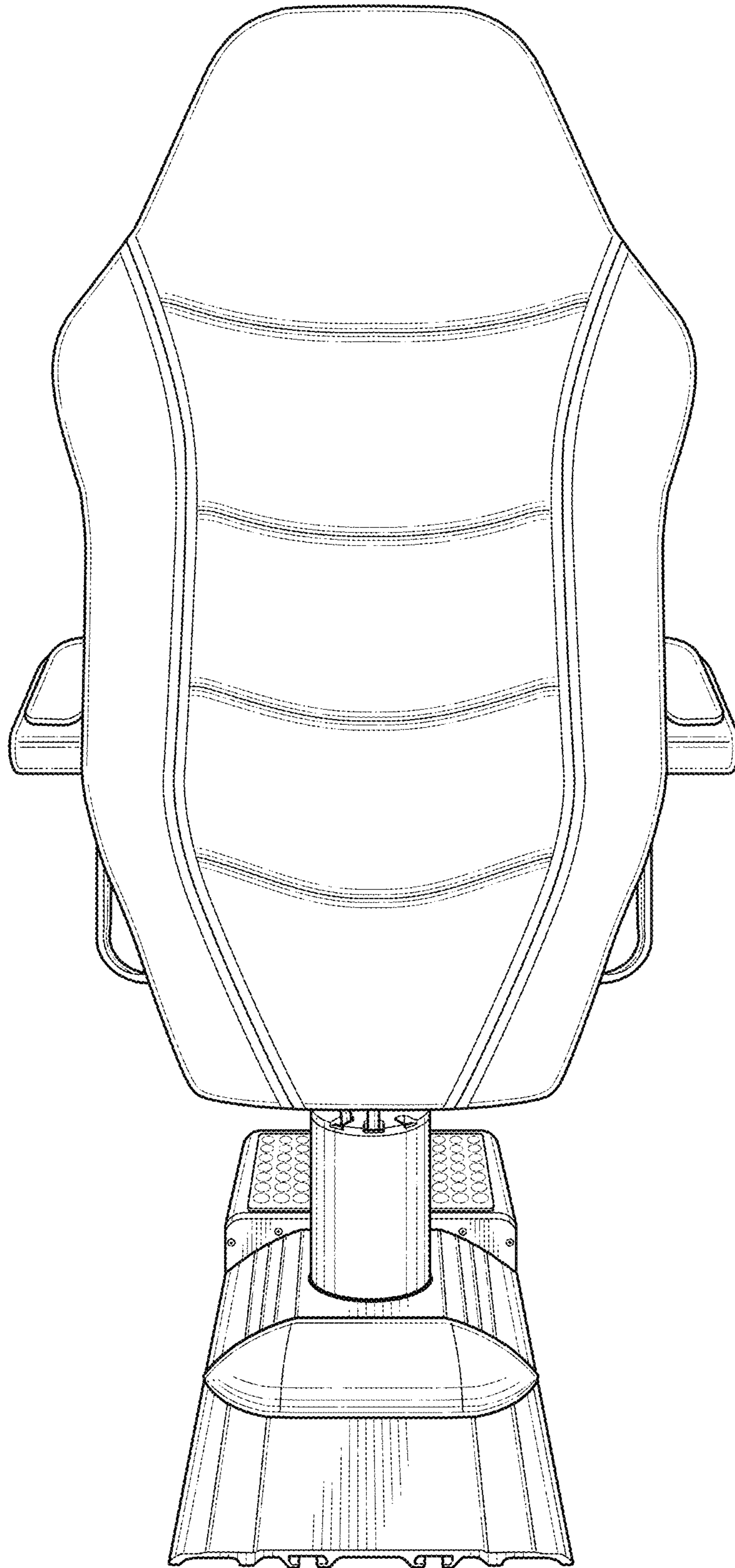


FIG. 7