



US00D793101S

(12) **United States Design Patent** (10) **Patent No.:** **US D793,101 S**  
**Degara** (45) **Date of Patent:** **\*\* Aug. 1, 2017**

(54) **BENCH**  
(71) Applicant: **SANTONI VETRI DI SANTONI SANDRO & C. S.N.C.**, Arco (Trento) (IT)  
(72) Inventor: **Luca Degara**, Ledro (IT)  
(73) Assignees: **SANTONI VETRI DI SANTONI SANDRO & C. S.N.C.**, Arco (IT), part interest; **LUCA DEGARA**, Ledro (IT), part interest

D453,424 S \* 2/2002 Stewart ..... D6/349  
D481,211 S \* 10/2003 Chipman ..... D6/349  
D507,420 S \* 7/2005 Reza-Hadden ..... D6/349  
D510,199 S \* 10/2005 Messier ..... D6/349  
D524,067 S \* 7/2006 Spear ..... D6/349  
D524,563 S \* 7/2006 Conway ..... D6/349  
D526,148 S \* 8/2006 Schiefer ..... D6/708  
D530,119 S \* 10/2006 Franks ..... D6/708.2  
D532,983 S \* 12/2006 McCurry ..... D6/349  
D559,569 S \* 1/2008 Pappas ..... D6/355  
D574,043 S \* 7/2008 Chen ..... D21/688  
D583,160 S \* 12/2008 Balsley ..... D6/355  
D583,577 S \* 12/2008 Wicha ..... D6/349

(Continued)

(\*\*) Term: **15 Years**

(21) Appl. No.: **29/550,814**

(22) Filed: **Jan. 7, 2016**

(30) **Foreign Application Priority Data**

Jul. 8, 2015 (EM) ..... 002733238-0003

(51) **LOC (10) Cl.** ..... **06-01**

(52) **U.S. Cl.**  
USPC ..... **D6/349**

(58) **Field of Classification Search**  
USPC ..... D6/349-350, 364-368, 374, 375, 403, D6/405, 406.6, 654-654.1, 657, D6/678-678.2, 682.6, 683-683.1, 684, D6/686, 690, 691, 691.8-691.9, 695, 698, D6/699, 699.1-699.5, 705, 705.5, 707.19, D6/708, 708.21, 716; 297/284.4, 452.26, 297/452.28, 452.32-33, 452.37  
CPC .... A47C 7/02; A47C 7/44; A47C 7/46; A47C 7/48; A47C 7/54; A47C 7/386; A47C 7/462; A47C 1/10; A47C 1/031; B60N 2/02; B60N 2/22; B60N 2/44  
See application file for complete search history.

(56) **References Cited**

**U.S. PATENT DOCUMENTS**

D263,523 S \* 3/1982 Kinnebrew, IV ..... D6/349  
D344,857 S \* 3/1994 Kinsman ..... D6/349

**OTHER PUBLICATIONS**

Retrieved on Mar. 15, 2017 from URL: <http://www.arupassociates.com/en/projects/cartesian-glass-bench/>.\*

*Primary Examiner* — Susan Bennett Hattan

*Assistant Examiner* — Keith Wilson

(74) *Attorney, Agent, or Firm* — Pearne & Gordon LLP

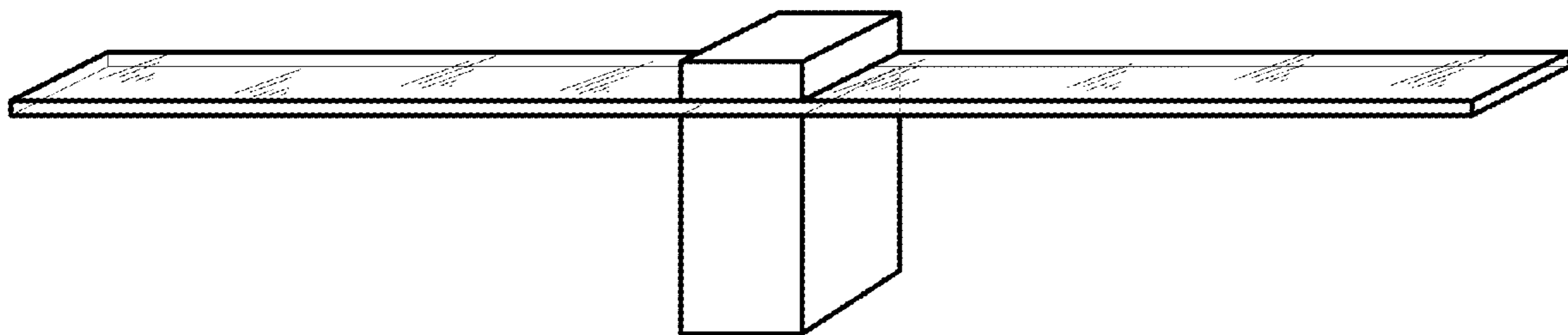
(57) **CLAIM**

The ornamental design for a bench, as shown and described.

**DESCRIPTION**

FIG. 1 is a left side elevational view of a bench, showing my new design, the right side elevational view being identical thereto;  
FIG. 2 is a top plan view thereof;  
FIG. 3 is a front elevational view thereof, the back elevational view being identical thereto;  
FIG. 4 is a front-left-top perspective view thereof;  
FIG. 5 is a front-right-top perspective view thereof;  
FIG. 6 is a back elevational view thereof, the front elevational view being identical thereto; and,  
FIG. 7 is a bottom plan view thereof.

**1 Claim, 7 Drawing Sheets**



(56)

**References Cited**

U.S. PATENT DOCUMENTS

D590,610	S	*	4/2009	Pappas	.....	D6/355
D600,460	S	*	9/2009	Schwartz	.....	D6/355
D609,930	S	*	2/2010	Young-il	.....	D6/355
D609,933	S	*	2/2010	Skalka	.....	D6/381
D696,821	S	*	12/2013	Haaf	.....	D30/160
D704,943	S	*	5/2014	Saba	.....	D6/349
D728,251	S	*	5/2015	Domingo	.....	D6/353
D730,071	S	*	5/2015	Sorel	.....	D6/349
D739,481	S	*	9/2015	Glickfield	.....	D21/671
D742,126	S	*	11/2015	Baylar	.....	D6/349
D753,419	S	*	4/2016	Heirakuji	.....	D6/675
D774,807	S	*	12/2016	Biddle	.....	D6/691
D776,471	S	*	1/2017	Mandon	.....	D6/691.1
D781,086	S	*	3/2017	Velez	.....	D6/656

\* cited by examiner

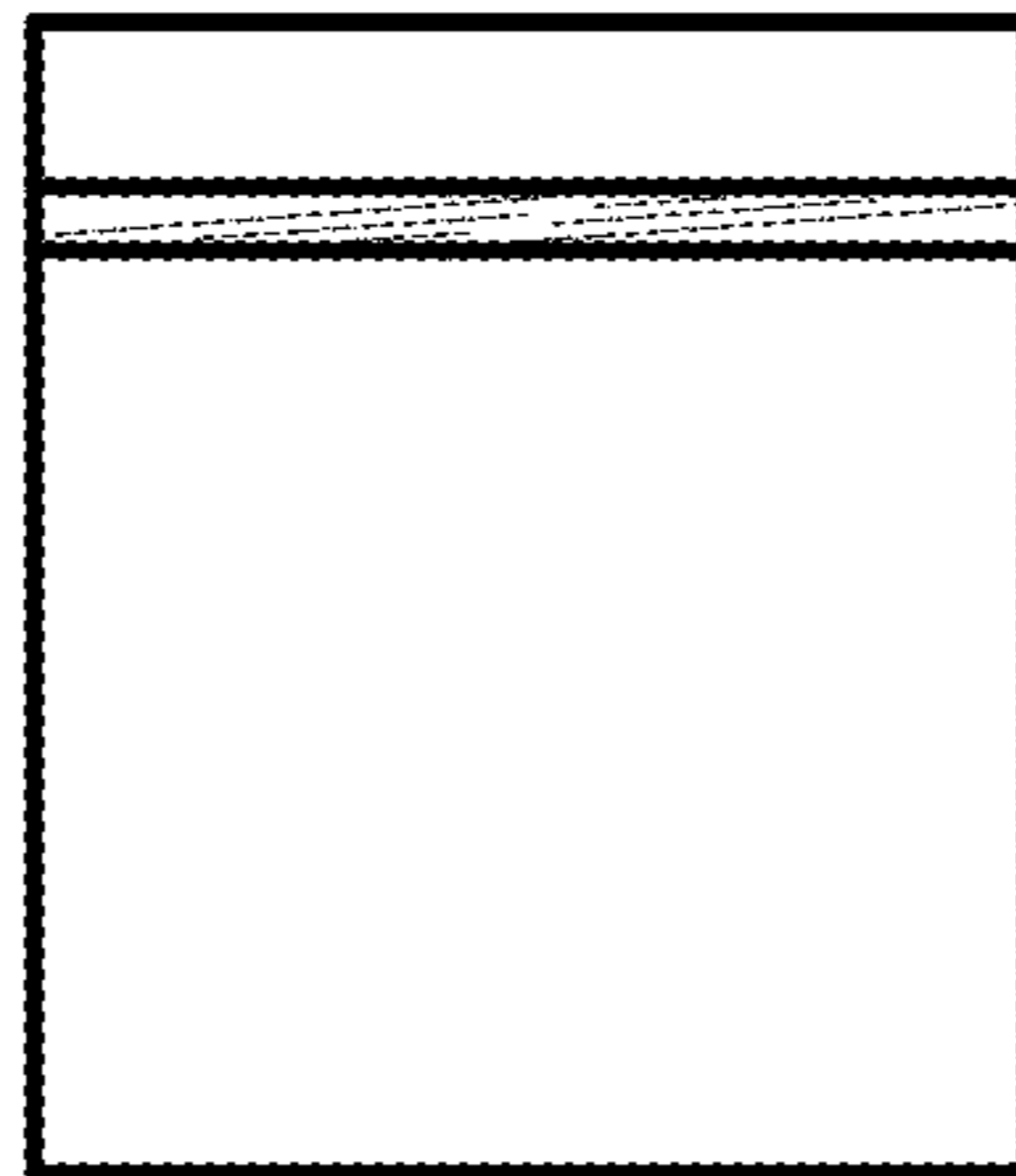


Fig 1

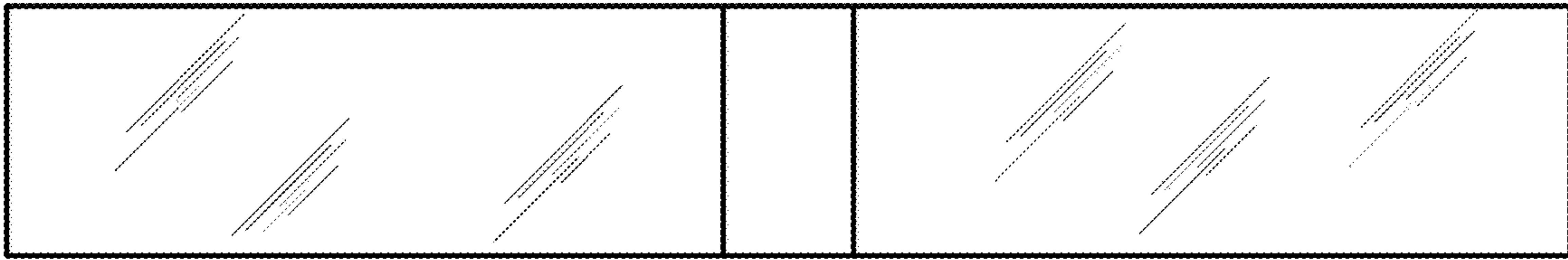


Fig. 2

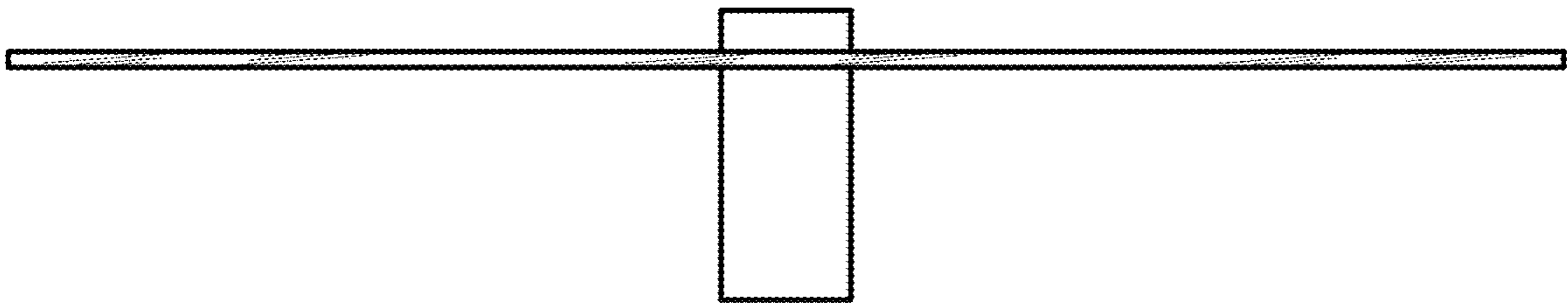


Fig. 3

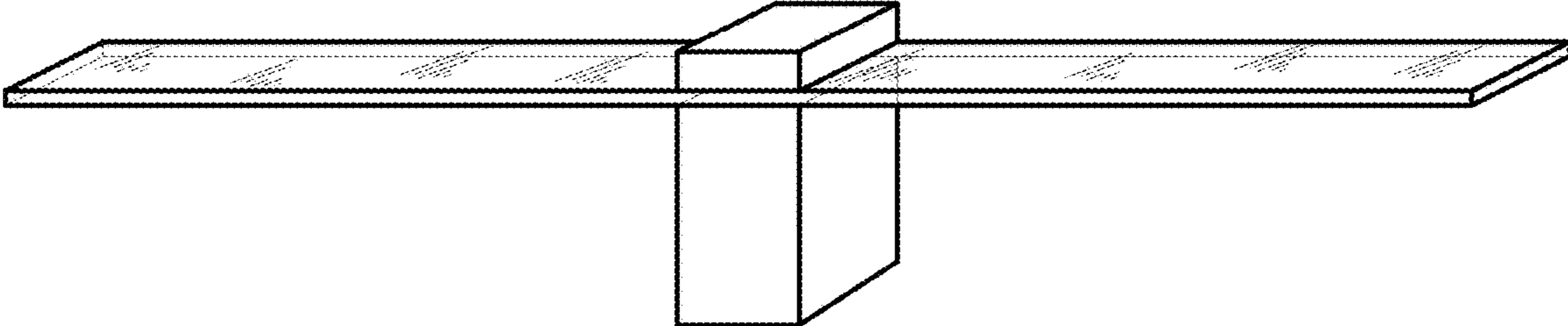


Fig 4

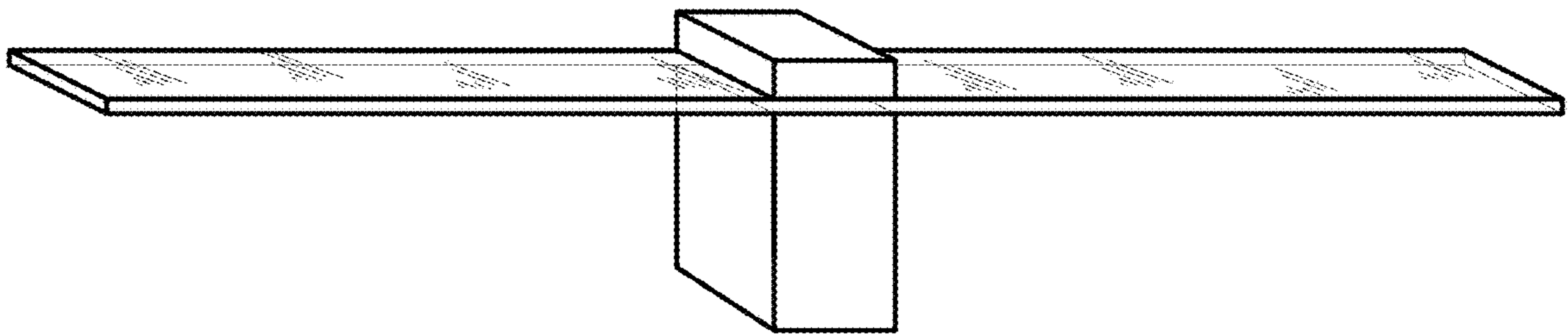


Fig 5

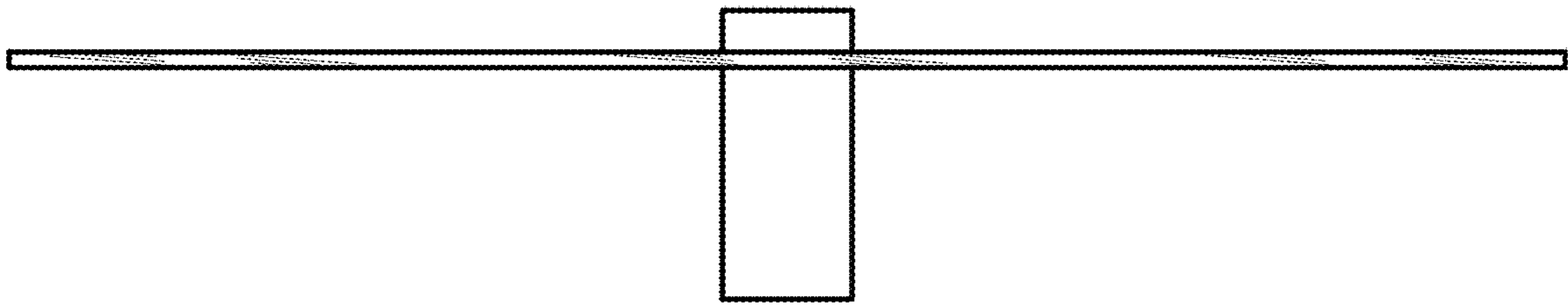


Fig. 6



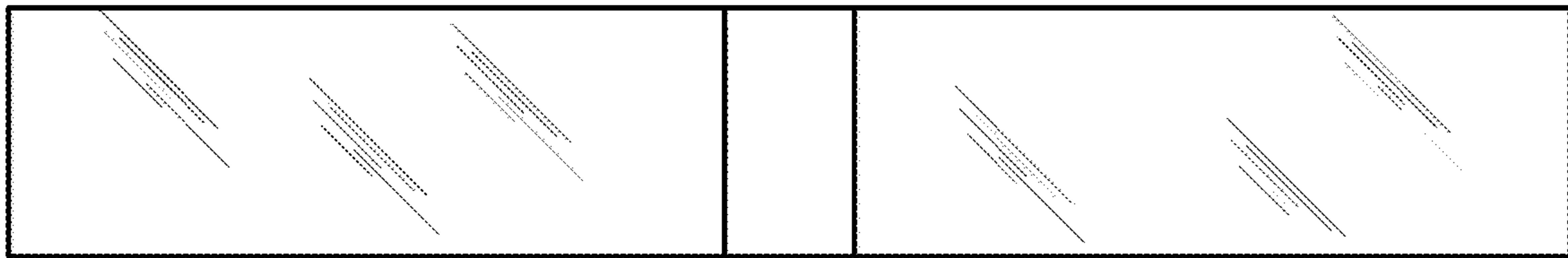


Fig 7