



US00D793100S

(12) **United States Design Patent** (10) **Patent No.:** **US D793,100 S**
Dix (45) **Date of Patent:** **** Aug. 1, 2017**

- (54) **SEAT**
- (71) Applicant: **SOUTHERN MOTION, INC.,**
Pontotoc, MS (US)
- (72) Inventor: **George K Dix,** Pontotoc, MS (US)
- (73) Assignee: **SOUTHERN MOTION, INC.,**
Pontotoc, MS (US)
- (**) Term: **15 Years**
- (21) Appl. No.: **29/559,140**
- (22) Filed: **Mar. 24, 2016**
- (51) **LOC (10) Cl.** **06-01**
- (52) **U.S. Cl.**
USPC **D6/334**
- (58) **Field of Classification Search**
USPC D6/334, 335, 336, 360, 361, 367, 368,
D6/371-375, 379-381, 716, 716.1-716.8
CPC A47C 7/00; A47C 7/62; A47C 7/18; A47C
7/54; A47C 4/00; A47C 4/028; A47C
4/28; A47C 3/16; A47C 3/04; A47C 3/12;
A47C 1/02; A47C 1/14
See application file for complete search history.

(56) **References Cited**

U.S. PATENT DOCUMENTS

- D123,275 S * 10/1940 Popkin D6/334
- D373,911 S * 9/1996 Paus D6/334
- D390,033 S * 2/1998 Natuzzi D6/334
- D474,901 S * 5/2003 Lewis D6/334

- D480,567 S * 10/2003 Ricci D6/334
- D626,757 S * 11/2010 Crockett D6/334
- D641,178 S * 7/2011 Drilling D6/334
- D693,134 S * 11/2013 Davis D6/334
- D716,564 S * 11/2014 Dix D6/334
- D721,513 S * 1/2015 Adair D6/381
- D721,516 S * 1/2015 Adair D6/381
- D723,829 S * 3/2015 Dix D6/381
- D755,534 S * 5/2016 Thoms D6/381
- D758,089 S * 6/2016 Thoms D6/381
- D776,450 S * 1/2017 Dix D6/381

* cited by examiner

Primary Examiner — Deanna L Pratt
(74) *Attorney, Agent, or Firm* — Thomas G. Peterson;
Bradley Arant Boult Cummings LLP

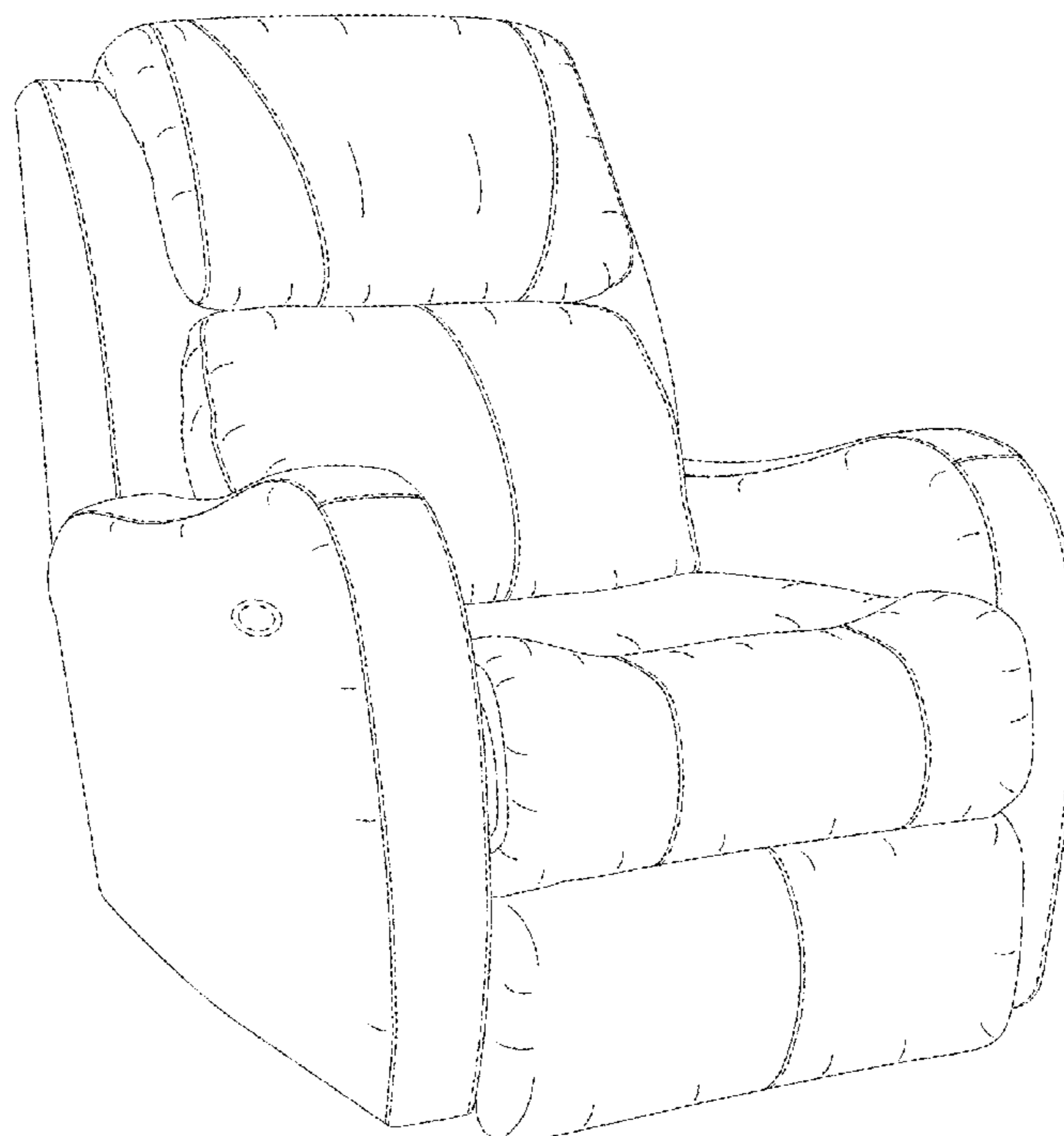
(57) **CLAIM**

The ornamental design for a seat, as shown and described.

DESCRIPTION

FIG. 1 shows a perspective view of a first embodiment of the seat in accordance with the new design.
 FIG. 2 shows a front elevation view of the embodiment of FIG. 1.
 FIG. 3 shows a rear view of the embodiment of FIG. 1.
 FIG. 4 shows a top view of the embodiment of FIG. 1; and,
 FIG. 5 shows a side view of the embodiment of FIG. 1.
 The short broken lines showing stitching on the cushions, arms, backrest and seat illustrate stitching that forms a part of the claimed design. All other broken lines, including the longer broken lines in FIGS. 1 and 5, illustrate portions of the seat that form no part of the claimed design.

1 Claim, 5 Drawing Sheets



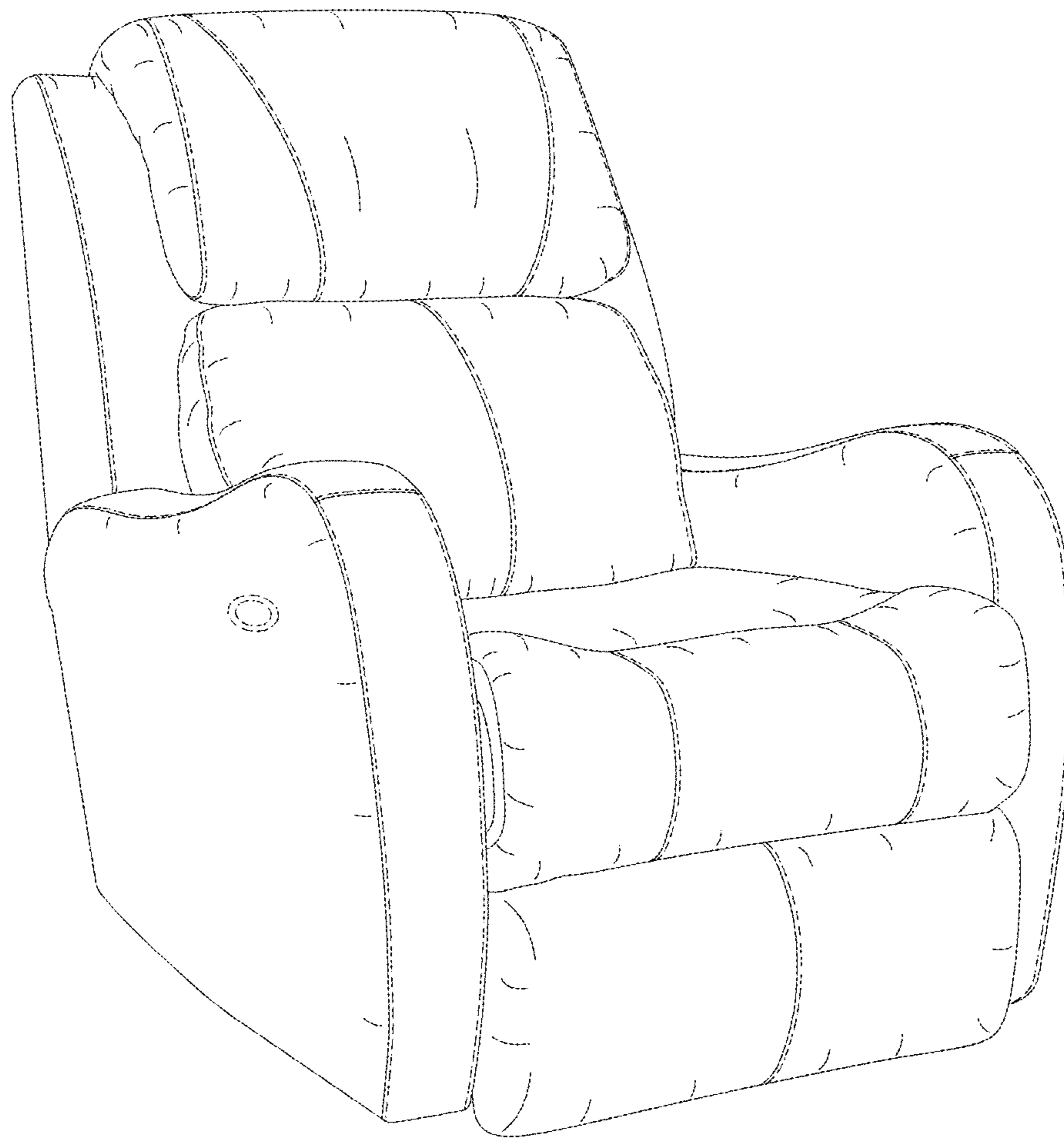


FIG. 1

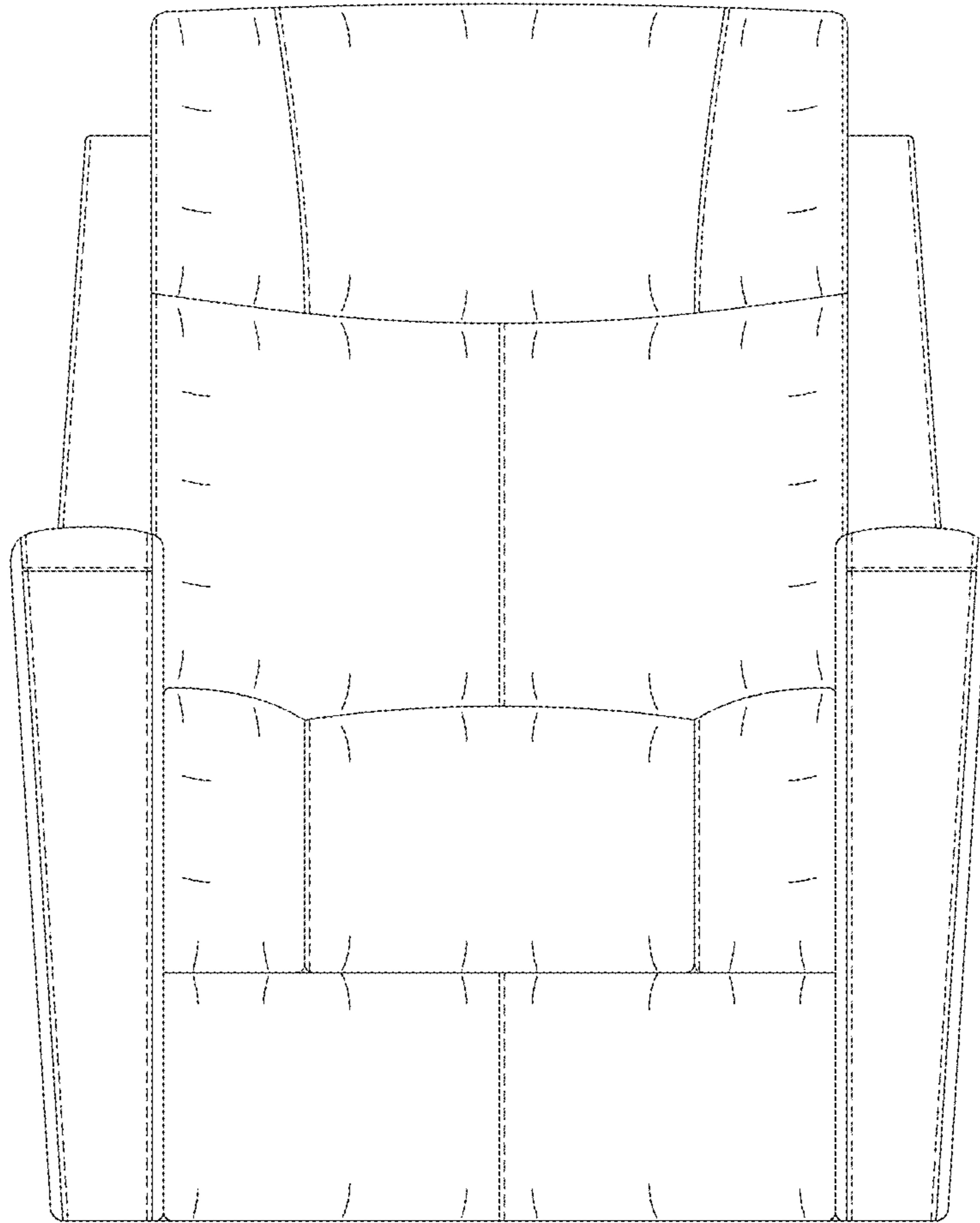


FIG. 2

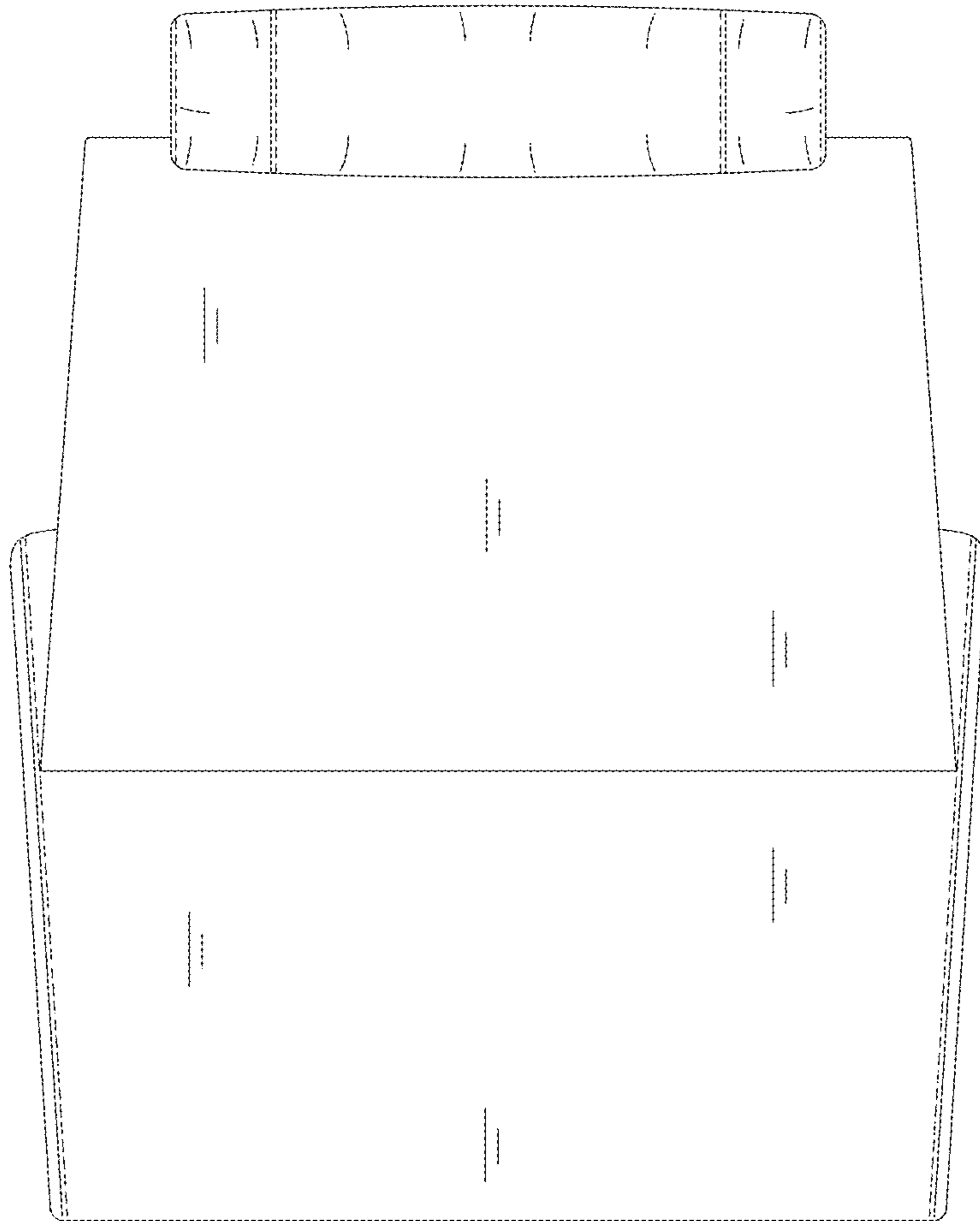


FIG. 3

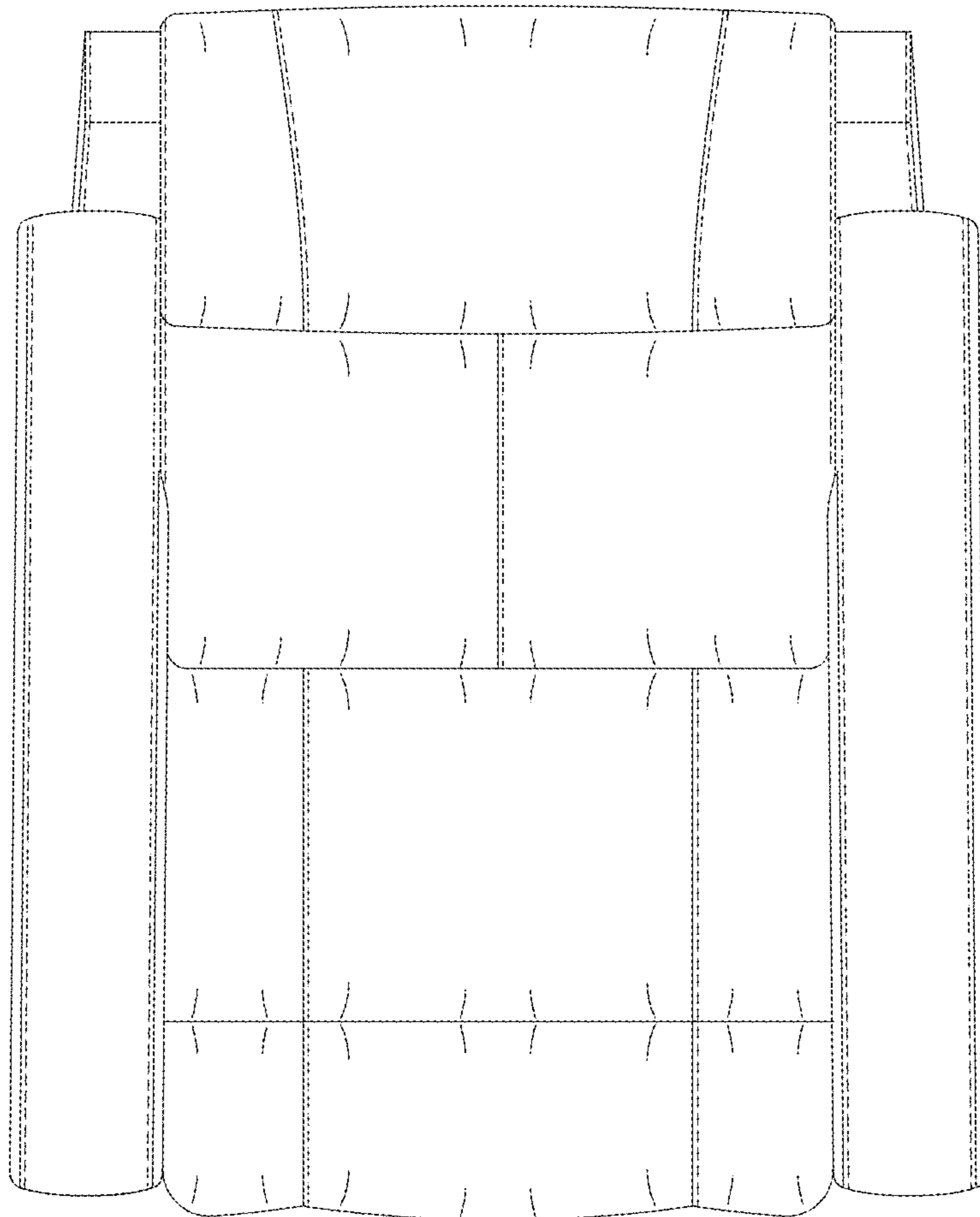


FIG. 4

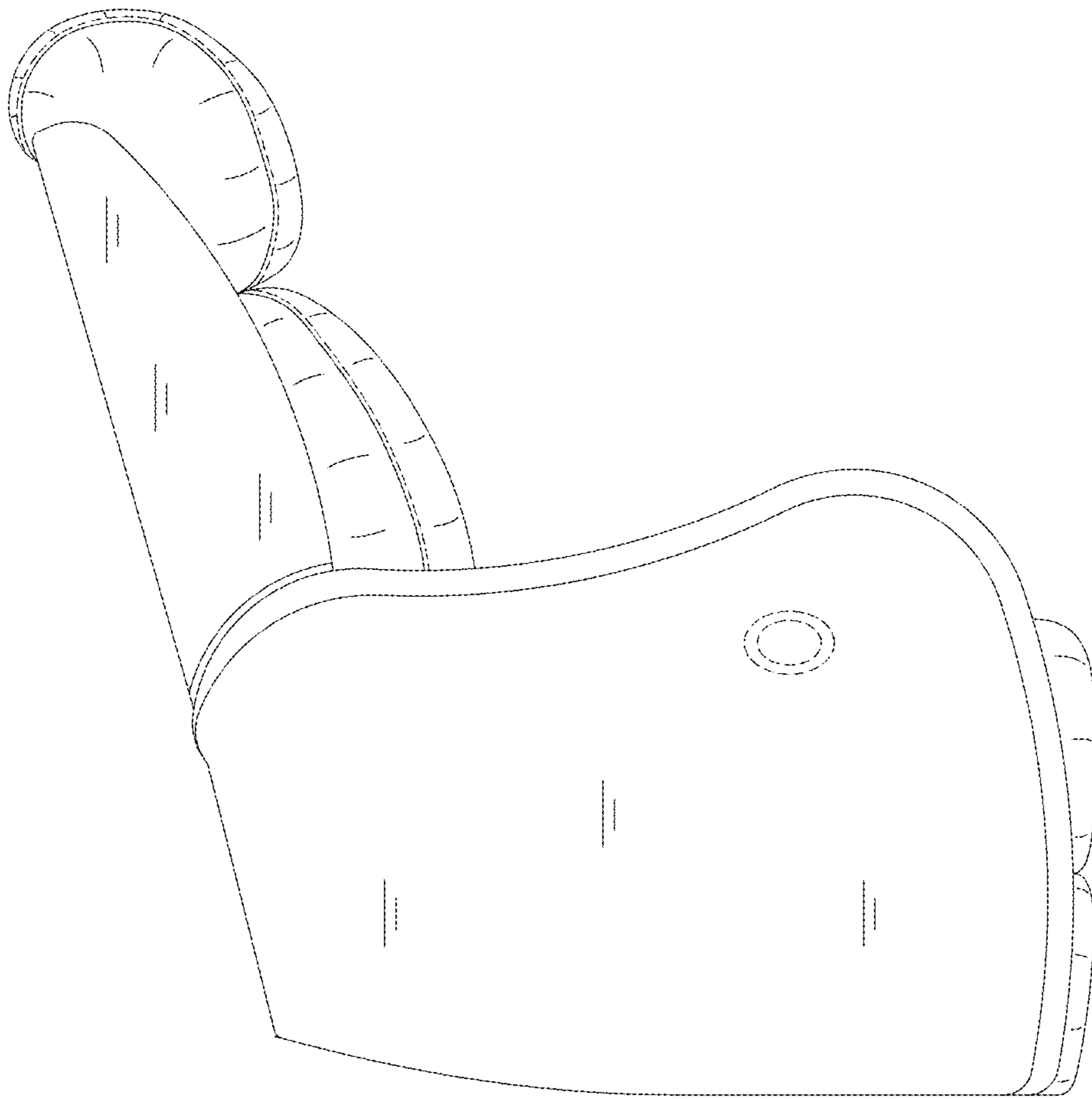


FIG. 5